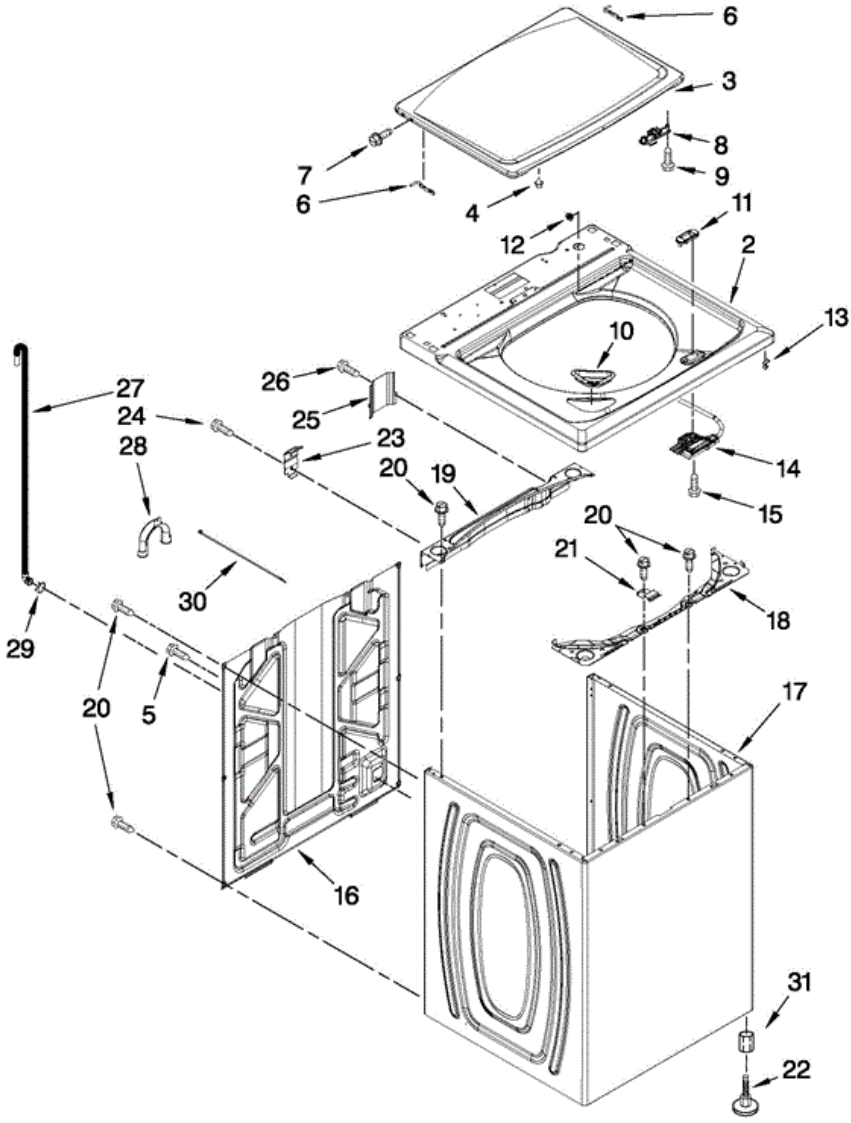


7MMVWC310YW1 GABINETE





7MMVWC310YW1 GABINETE

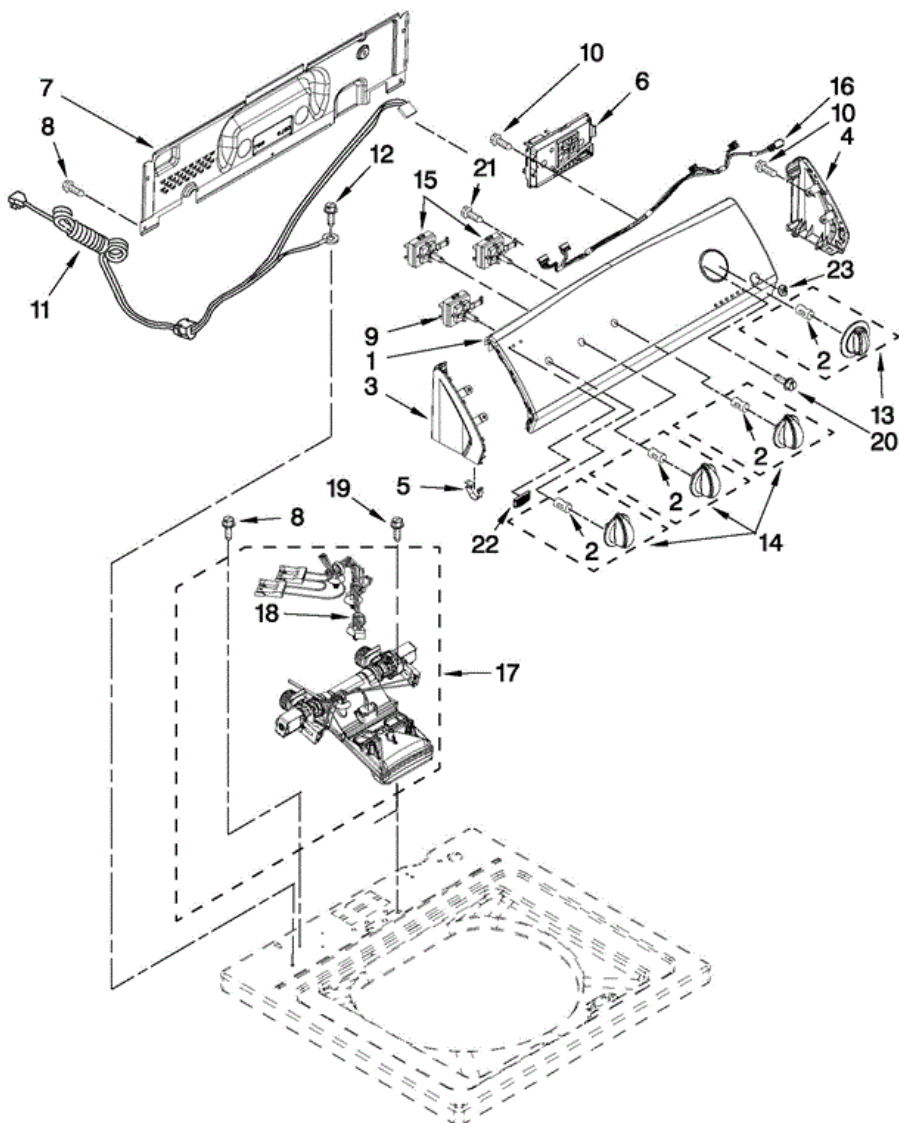
2	W10251325	TOP
3	W10338623	LID (INCLUDES ITEM 4)
4	9724509	BUMPER, LID
5	9740848	SCREW
6	91770	HINGE, LID
7	W10119872	SCREW, LID HINGE
8	W10240513	STRIKE, LID LOCK
9	W10273971	SCREW
10	W10192089	DISPENSER, BLEACH
11	W10392041	BEZEL, LID LOCK
12	21258	BEARING, LID HINGE
13	90016	CLIP, LID LOCK HARNESS
14	W10238287	LATCH, LID LOCK ASSEMBLY
15	8281163	SCREW
16	W10250884	PANEL, REAR
17	W10251994	CABINET (INCLUDES ITEM 22)
18	W10215098	BRACE, CABINET TOP - FRONT
19	W10215099	BRACE, CABINET TOP - REAR
20	1157158	SCREW
21	W10248088	LOCK, TOP
22	W10397767	FOOT ASSEMBLY, LEVELING
23	W10215102	HINGE, TOP
24	W10142728	SCREW
25	W10215139	COVER, HARNESS
26	3400076	SCREW
27	W10221546	HOSE, OUTER DRAIN ASSEMBLY (INCLUDES 28 & 29)
28	W10280024	U-BEND, DRAIN HOSE
29	356138	CLAMP, HOSE
30	W10339879	CABLE TIE
31	3359452	NUT, LOCKING

Distribuidor Autorizado

SurteRápido.com

Venta de Refacciones
Electrodomesticas

7MMVWC310YW1 TABLERO

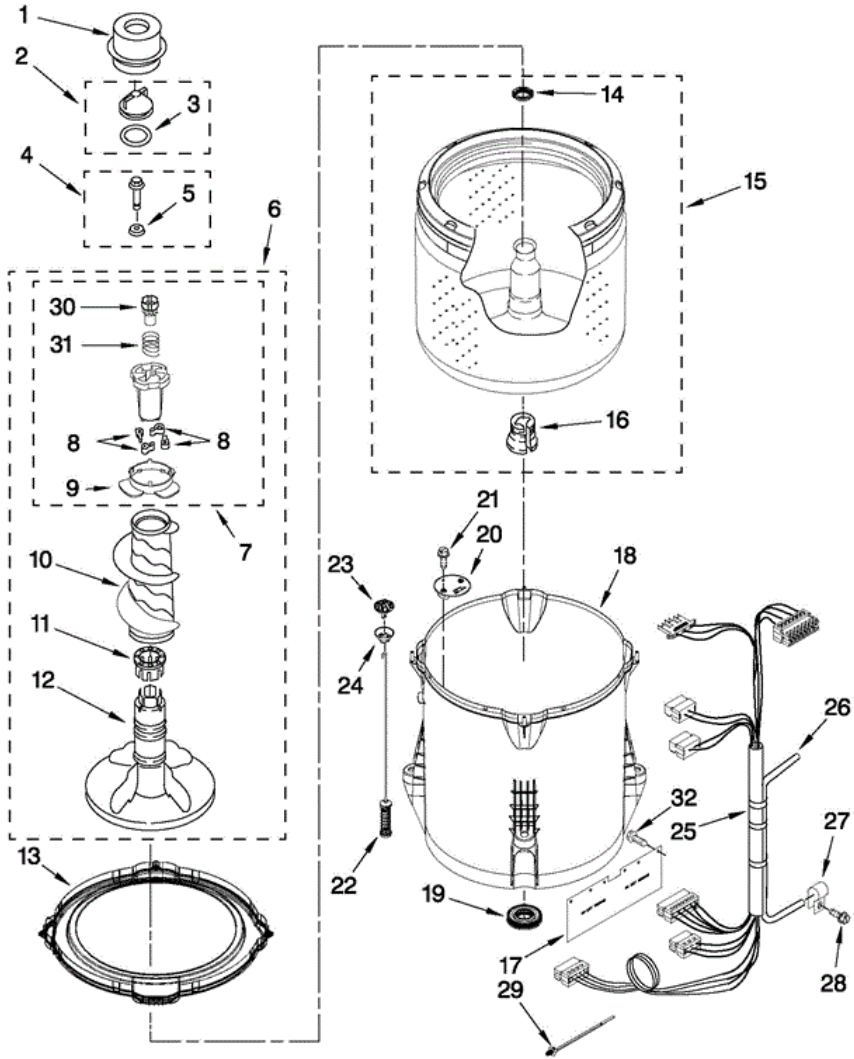




7MMVWC310YW1 TABLERO

1	W10416834	PANEL, CONSOLE
2	8536939	CLIP, KNOB
3	W10251358	CAP, END (L.H.) INCLUDES ITEM 5)
4	W10251355	CAP, END (R.H.) (INCLUDES ITEM 5)
5	8312709	CLIP, CONSOLE
6	W10480356	CONTROL UNIT ASSEMBLY, MACHINE & MOTOR
7	W10461159	PANEL, CONSOLE REAR COVER
8	1157158	SCREW
9	W10285518	SWITCH, ROTARY ENCODER (5 POSITION)
10	90767	SCREW
11	W10276649	CORD, POWER
12	3400076	SCREW
13	W10327522	KNOB, TIMER
14	W10327523	KNOB, CONTROL
15	W10285511	SWITCH, ROTARY ENCODER (2 POSITION)
16	W10291183	HARNESS, UPPER
17	W10472844	INLET ASSEMBLY, WATER
18	W10423127	HARNESS, VALVE
19	8281163	SCREW
20	3400818	SCREW
21	3400073	SCREW
22	W10199708	BADGE
23	W10251309	PUSHBUTTON, START

7MMVWC310YW1 TINAS

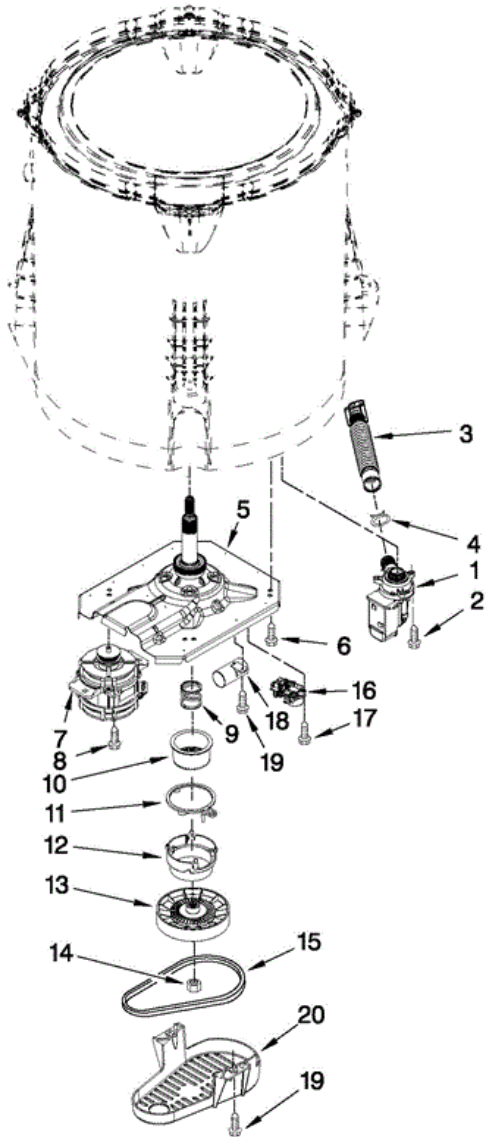




7MMVWC310YW1 TINAS

1	8580006	DISPENSER, FABRIC SOFTENER
2	3354733	CAP, BARRIER
3	W10072840	SEAL, INNER CAP
4	W10003790	SCREW & WASHER ASSEMBLY
5	3949550	WASHER
6	8578210	AGITATOR, COMPLETE ASSEMBLY
7	8537434	CAM, DRIVEN
8	3366877	DOG, AGITATOR CLUTCH
9	8055141	BEARING, CAM
10	8054468	CLOTHES MOVER
11	8055228	SPACER, THRUST
12	8578209	AGITATOR
13	W10215108	RING, TUB
14	21366	NUT, SPANNER
15	W10358261	BASKET ASSEMBLY
16	389140	BLOCK, BASKET DRIVE
17	W10339098	SHIELD, SPLASH
18	W10238320	TUB (INCLUDES ITEM 19)
19	W10006371	SEAL, TUB
20	W10215093	FILTER, DRAIN PUMP
21	8533928	SCREW
22	W10110313	DAMPER ASSEMBLY, TUB SUSPENSION (SET OF 4 - INCLUDES ITEMS 23 & 24)
23	W10405423	BALL, SUSPENSION SET OF 4 - INCLUDES ITEM 24)
24	W10256551	BUSHING, SUSPENSION (SET OF 4 - INCLUDES 23)
25	W10454996	HARNESS, LOWER (INCLUDES ITEMS 26 & 29)
26	W10431037	HOSE, PRESSURE SWITCH
27	W10005430	CLAMP, PRESSURE HOSE RETAINER
28	8533943	SCREW
29	W10298887	CABLE TIE
30	8533540	RETAINER, SPRING
31	8055140	SPRING-COMPRESSION
32	W10429200	RETAINER, PUSH IN

7MMVWC310YW1 TRANSMISION





7MMVWC310YW1 TRANSMISION

1	W10465543	PUMP ASSEMBLY, DRAIN
2	W10004910	SCREW
3	W10215091	HOSE, INNER DRAIN ASSEMBLY
4	8317496	CLAMP, HOSE
5	W10473143	GEARCASE ASSEMBLY
6	W10249633	SCREW
7	W10416653	MOTOR, DRIVE
8	W10094780	SCREW
9	W10326374	SPRING, SPLUTCH (INCLUDES ITEMS 10, 11, 12 & 13)
10	W10006352	SLIDER, SPLUTCH (INCLUDES ITEMS 9, 11, 12 & 13)
11	W10006353	CAM RING, SPLUTCH (INCLUDES ITEMS 9, 10, 12 & 13)
12	W10006354	CAM, SPLUTCH (INCLUDES ITEMS 9, 10, 11 & 13)
13	W10006356	PULLEY
14	W10163336	NUT, PULLEY
15	W10006384	BELT, DRIVE
16	W10006355	ACTUATOR, SHIFT
17	9741052	SCREW
18	W10390451	CAPACITOR, MOTOR RUN
19	357640	SCREW
20	W10427633	SHIELD, PULLEY COVER Final del formulario