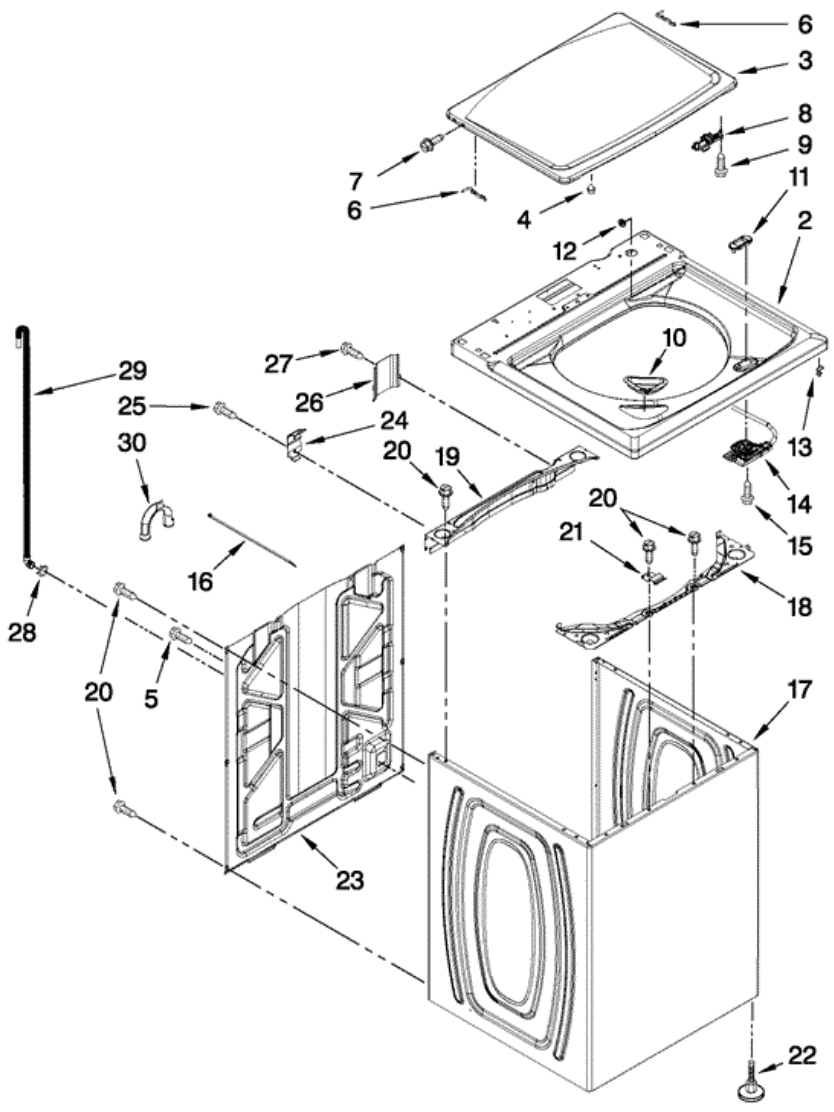


7MMVWC400YW0 GABINETE

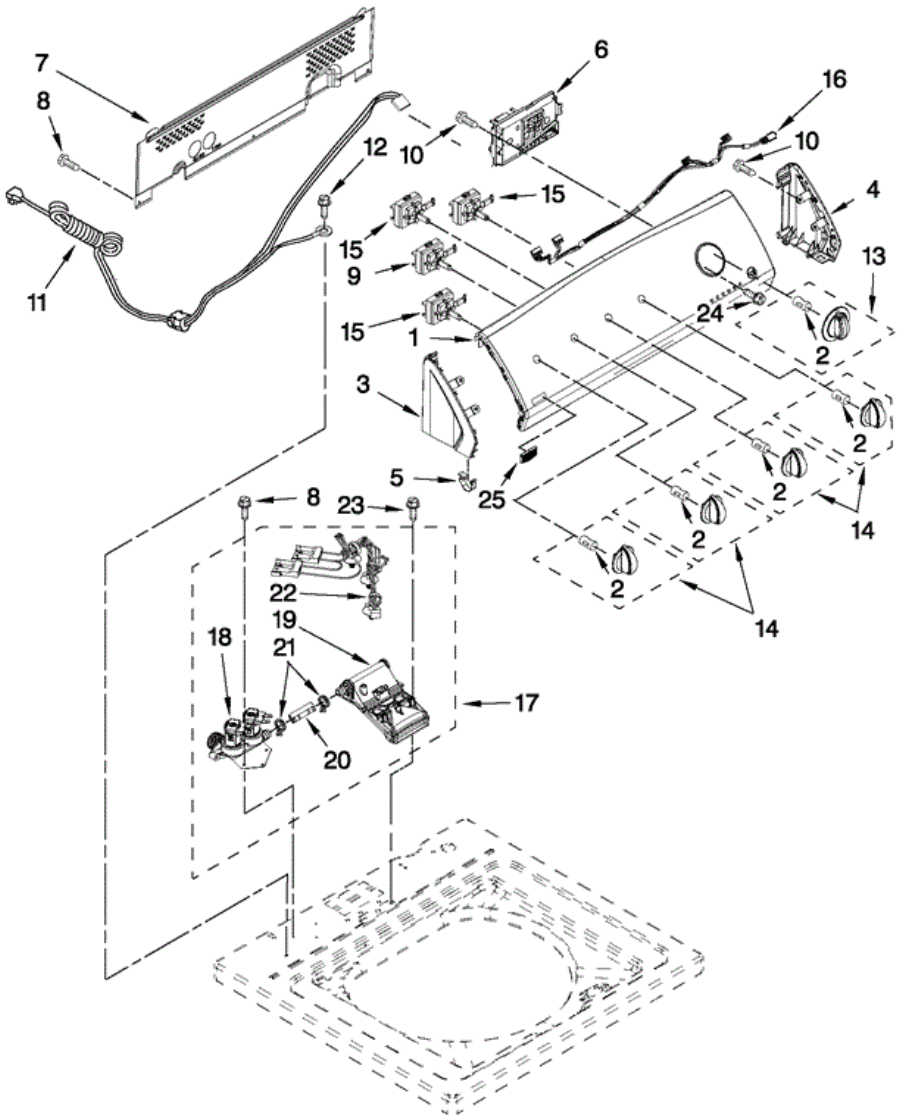




7MMVWC400YW0 GABINETE

2	W10251325	TOP
3	W10338624	LID (INCLUDES ITEM 4)
4	9724509	BUMPER, LID
5	9740848	SCREW, 8-18 X 1/2
6	91770	HINGE, LID
7	W10119872	SCREW, LID HINGE
8	W10240513	STRIKE, LID LOCK
9	W10273971	SCREW, 6-19 X 1/2
10	W10192089	DISPENSER, BLEACH
11	W10240511	BEZEL, LID LOCK
12	21258	BEARING, LID HINGE
13	90016	CLIP, LID LOCK HARNESS
14	W10238287	LATCH, LID LOCK ASSEMBLY
15	8281163	SCREW, 8-16 X 1/2
16	W10339879	CABLE TIE
17	W10251994	CABINET (INCLUDES ITEM 22)
18	W10215098	BRACE, CABINET TOP - FRONT
19	W10215099	BRACE, CABINET TOP - REAR
20	1157158	SCREW, 8-18 X 3/8
21	W10248088	LOCK, TOP
22	W10335586	FOOT ASSEMBLY, LEVELING
23	W10250884	PANEL, REAR
24	W10215102	HINGE, TOP
25	W10142728	SCREW, 8-32 X 3/8
26	W10215139	COVER, HARNESS
27	3400076	SCREW, 10-23 X 5/8
28	356138	CLAMP, HOSE
29	W10221546	HOSE, OUTER DRAIN ASSEMBLY (INCL. 30 & 31)
30	W10280024	U-BEND, DRAIN HOSE

7MMVWC400YW0 TABLERO

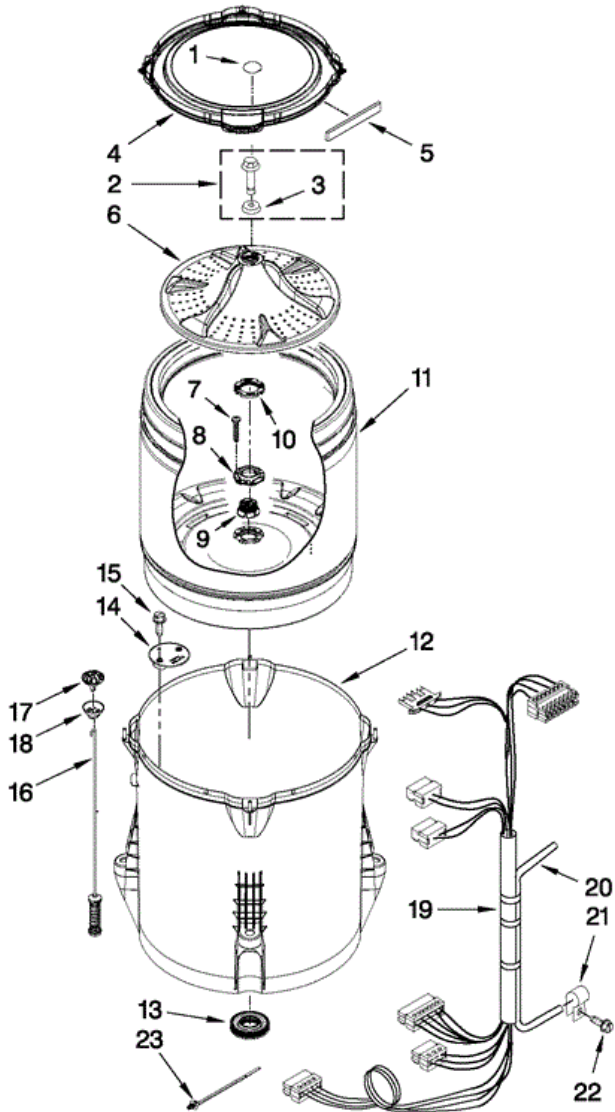




7MMVWC400YW0 TABLERO

1	W10355023	PANEL, CONSOLE
2	8536939	CLIP, KNOB
3	W10251358	CAP, END (L.H.) INCLUDES ITEM 5)
4	W10251355	CAP, END (R.H.) (INCLUDES ITEM 5)
5	8312709	CLIP, CONSOLE
6	W10396095	CONTROL UNIT ASSEMBLY, MACHINE & MOTOR
7	W10251310	PANEL, CONSOLE REAR COVER
8	1157158	SCREW, 8-18 X 3/8
9	W10285512	SWITCH, ROTARY ENCODER
10	90767	SCREW, 8-18 X 3/8
11	W10276649	CORD, POWER
12	3400076	SCREW, POWER CORD GROUND
13	W10327522	KNOB, TIMER
14	W10327523	KNOB, CONTROL
15	W10285511	SWITCH, ROTARY ENCODER
16	W10291176	HARNESS, UPPER
17	W10357189	INLET ASSEMBLY, WATER
18	W10352256	VALVE, WATER MIXING
19	W10334611	VACUUM BREAK
20	W10238347	HOSE, VACUUM BREAK
21	W10117298	CLAMP, HOSE
22	W10337345	HARNESS, VALVE
23	8281163	SCREW, 8-16 X 1/2
24	3400818	SCREW, 8-18 X.20
25	W10199708	BADGE

7MMVWC400YW0 TINAS





7MMVWC400YW0 TINAS

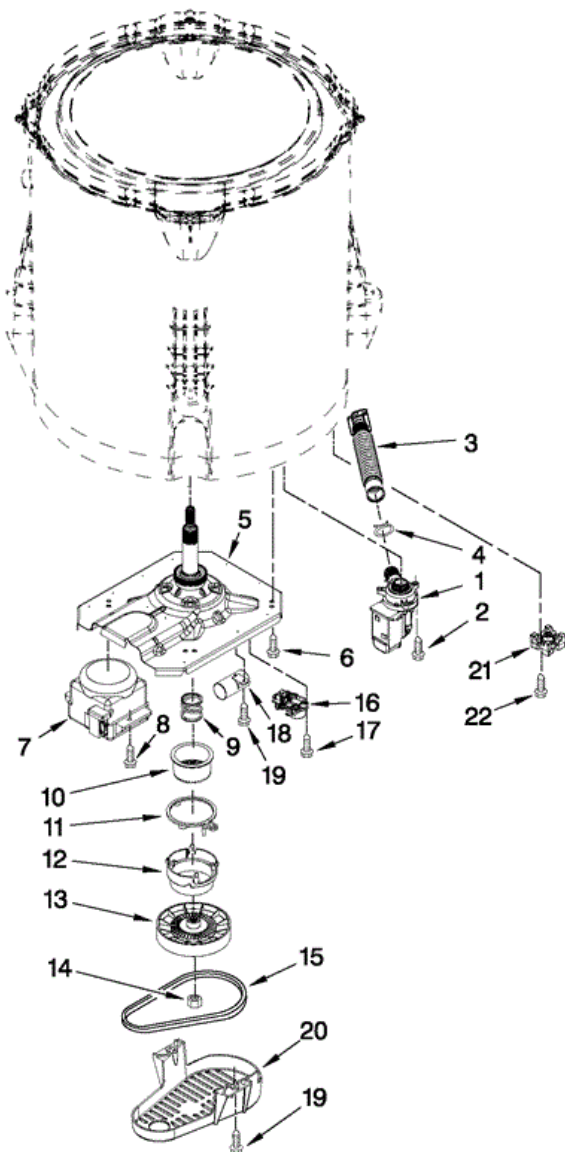
1	W10305251	CAP, IMPELLER
2	W10003790	SCREW & WASHER ASSEMBLY
3	3949550	WASHER
4	W10215146	TUB RING (INCLUDES ITEM 5)
5	W10205824	ABSORBER, IMPACT
6	W10215119	IMPELLER (WASHPLATE)
7	8533953	SCREW, 8-16 X 1.000
8	W10291415	HUB - DRIVEN, BASKET (INCLUDES ITEMS 7, 9 & 10)
9	W10291416	BLOCK, BASKET DRIVE (INCLUDES ITEMS 7, 8 & 10)
10	W10291417	NUT, SPANNER (INCLUDES ITEMS 7, 8 & 9)
11	W10238268	BASKET ASSEMBLY (INCLUDES ITEMS 7, 8, 9 & 10)
12	W10238301	TUB (INCLUDES ITEM 13)
13	W10006371	SEAL, TUB
14	W10215093	FILTER, DRAIN PUMP
15	8533928	SCREW, 8-18 X 3/4
16	W10257085	DAMPER ASSy TUB SUSPENSION (INCL. 17 & 18)
17	W10215136	BALL, SUSPENSION (SET OF 4 - INCLUDES ITEM 18)
18	W10256551	BUSHING, SUSPENSION (SET OF 4 - INCLUDES 17)
19	W10297443	HARNESS, LOWER (INCLUDES ITEMS 20 & 23)
20	8572540	HOSE PRESSURE SWITCH
21	W10005430	CLAMP, PRESSURE HOSE RETAINER
22	8533943	SCREW, 10-16 X 3/4
23	W10298887	CABLE TIE

Distribuidor Autorizado

SurteRápido.com

Venta de Refacciones
Electrodomesticas

7MMVWC400YW0 TRANSMISION





7MMVWC400YW0 TRANSMISION

1	W10276397	PUMP ASSEMBLY, DRAIN
2	W10004910	SCREW, 12-16 X 1.25
3	W10215091	HOSE, INNER DRAIN ASSEMBLY
4	8317496	CLAMP, HOSE
5	W10006401	GEARCASE ASSy. (INCL 7, 8, 9, 10 & 13 ON PAGE 5)
6	W10249633	SCREW, 7.2-1.6 X 30
7	W10249628	MOTOR, DRIVE
8	W10094780	SCREW, M8-1.25 X 20
9	W10326374	SPRING, SPLUTCH (INCLUDES 10, 11, 12 & 13)
10	W10006352	SLIDER, SPLUTCH (INCLUDES ITEMS 9, 11, 12 & 13)
11	W10006353	CAM RING, SPLUTCH (INCLUDES 9, 10, 12 & 13)
12	W10006354	CAM, SPLUTCH (INCLUDES ITEMS 9, 10, 11 & 13)
13	W10006356	PULLEY
14	W10163336	NUT, PULLEY
15	W10006384	BELT, DRIVE
16	W10006355	ACTUATOR, SHIFT
17	9741052	SCREW, 6-32 X 1.00
18	W10278117	CAPACITOR, MOTOR RUN
19	357640	SCREW, 10-16 X 5/8
20	W10006383	SHIELD, PULLEY COVER
21	W10238318	COUNTERWEIGHT
22	W10238319	SCREW, 8-18 X 1.00