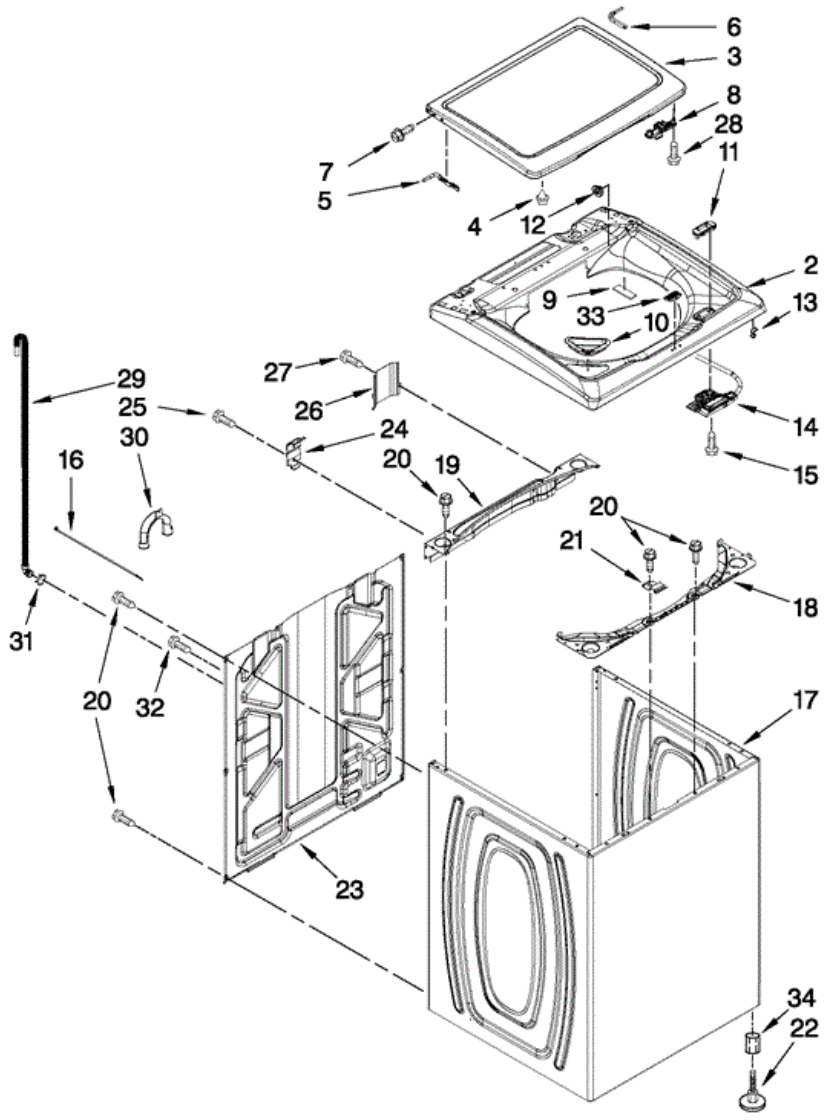


7MMVWX510YW0 GABINETE





7MMVWX510YW0 GABINETE

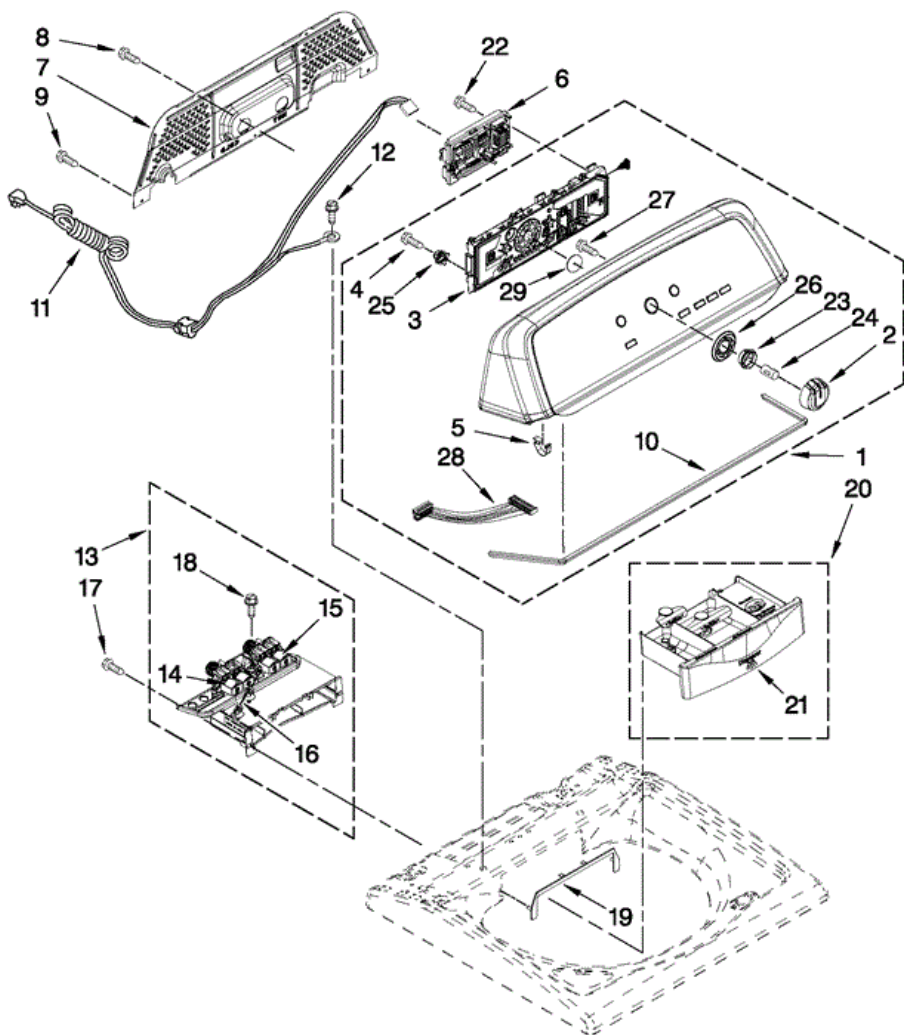
| | | |
|----|-----------|---|
| 2 | W10238290 | TOP |
| 3 | W10339998 | LID (INCLUDES ITEM 4) |
| 4 | 9724509 | BUMPER, LID |
| 5 | W10295775 | HINGE, WIRE (L.H.) |
| 6 | W10294031 | HINGE WIRE (R.H.) |
| 7 | W10119828 | SCREW, LID |
| 8 | W10240513 | STRIKE, LID LOCK |
| 9 | W10333228 | PAD, LID HINGE |
| 10 | W10240977 | DISPENSER, BLEACH |
| 11 | W10392041 | BEZEL, LID LOCK |
| 12 | W10293230 | BEARING, LID HINGE (RIGHT) |
| 12 | W10293272 | BEARING, LID HINGE (LEFT) |
| 13 | 90016 | CLIP, LID LOCK HARNESS |
| 14 | W10238287 | LATCH, LID LOCK ASSEMBLY |
| 16 | W10339879 | CABLE TIE |
| 17 | W10251994 | CABINET (INCLUDES ITEMS 18, 19, 20 & 22) |
| 18 | W10215098 | BRACE, CABINET TOP - FRONT |
| 19 | W10215099 | BRACE, CABINET TOP - REAR |
| 20 | 1157158 | SCREW, 8-18 X 3/8 |
| 21 | W10248088 | LOCK, TOP |
| 22 | W10335586 | FOOT ASSEMBLY, LEVELING |
| 23 | W10250884 | PANEL, REAR |
| 24 | W10215102 | HINGE, TOP |
| 25 | W10142728 | SCREW, 8-32 X 3/8 |
| 26 | W10215139 | COVER, HARNESS |
| 27 | 3400076 | SCREW, 10-23 X 5/8 |
| 28 | W10273971 | SCREW, 6-19 X 1/2 |
| 29 | W10221546 | HOSE, OUTER DRAIN ASSEMBLY (INCLUDES 30 & 31) |
| 30 | W10280024 | U-BEND, DRAIN HOSE |
| 31 | 356138 | CLAMP, HOSE |
| 32 | 9740848 | SCREW, 8-18 X 1/2 |
| 33 | W10323735 | BADGE, MAYTAG |
| 34 | 3359452 | NUT, LOCKING |

Distribuidor Autorizado

SurteRápido.com

Venta de Refacciones
Electrodomesticas

7MMVWX510YW0 TABLERO

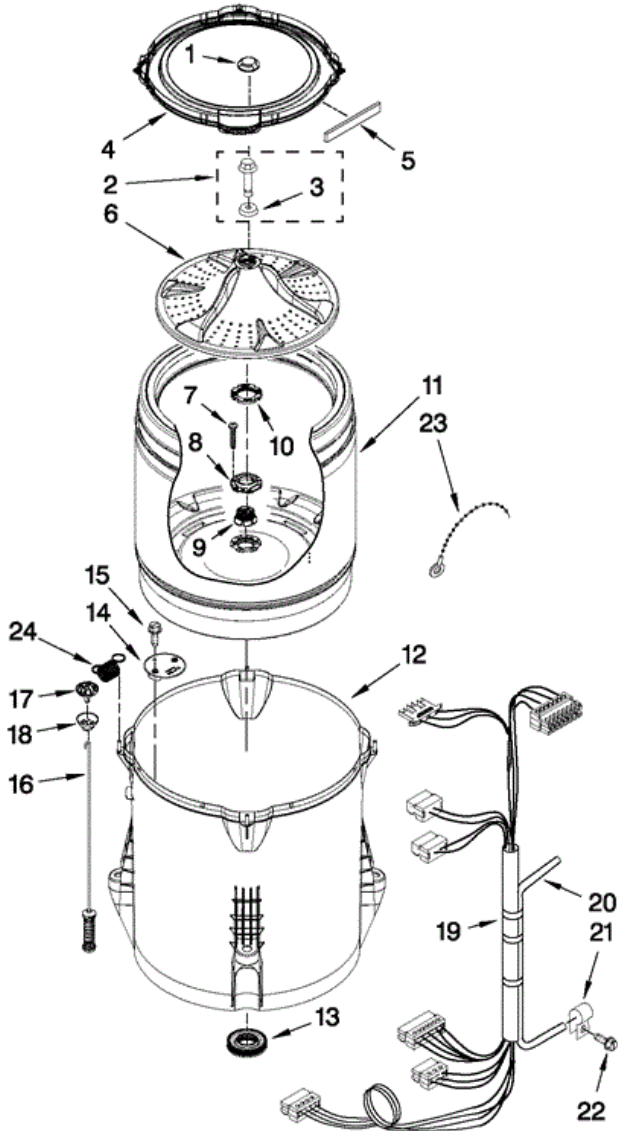




7MMVWX510YW0 TABLERO

| | | |
|----|-----------|--|
| 1 | W10418084 | CONSOLE |
| 2 | W10251381 | KNOB, CONTROL (INCLUDES ITEM 24) |
| 3 | W10272630 | USER INTERFACE |
| 4 | W10219342 | SCREW, 8-16 X 3/4 |
| 5 | 8312709 | CLIP, CONSOLE |
| 6 | W10423474 | CONTROL UNIT ASSEMBLY, MACHINE & MOTOR |
| 7 | W10420984 | PANEL, CONSOLE REAR COVER |
| 8 | 3390647 | SCREW, 8-18 X 1/2 |
| 9 | 1157158 | SCREW, 8-18 X 3/8 |
| 10 | W10280079 | SEAL, CONSOLE |
| 11 | W10266797 | CORD, POWER |
| 12 | 3400076 | SCREW, POWER CORD GROUND |
| 13 | W10240963 | HOUSING ASSEMBLY - DISPENSER |
| 14 | W10240949 | VALVE, COLD WATER INLET |
| 15 | W10240948 | VALVE, HOT WATER INLET |
| 16 | W10240967 | HARNESS, VALVE |
| 17 | 3400061 | SCREW, DISPENSER HOUSING MOUNTING |
| 18 | 97787 | SCREW, INLET VALVE MOUNTING |
| 19 | W10240946 | BEZEL, DISPENSER |
| 20 | W10240960 | DRAWER, DISPENSER ASSEMBLY |
| 21 | W10287478 | HANDLE, DISPENSER DRAWER FACIA |
| 22 | 9740848 | SCREW, 8-18 X 1/2 |
| 23 | W10326923 | SPACER, KNOB |
| 24 | 8536939 | CLIP, KNOB |
| 25 | W10274524 | TENSIONER, FACIA |
| 26 | W10305134 | BEZEL, CYCLE TRIM |
| 27 | 3196172 | SCREW, 6-19 X 3/8 |
| 28 | W10285493 | HARNESS, USER INTERFACE |
| 29 | W10323092 | SEAL, UI |

7MMVWX510YW0 TINAS





7MMVWX510YW0 TINAS

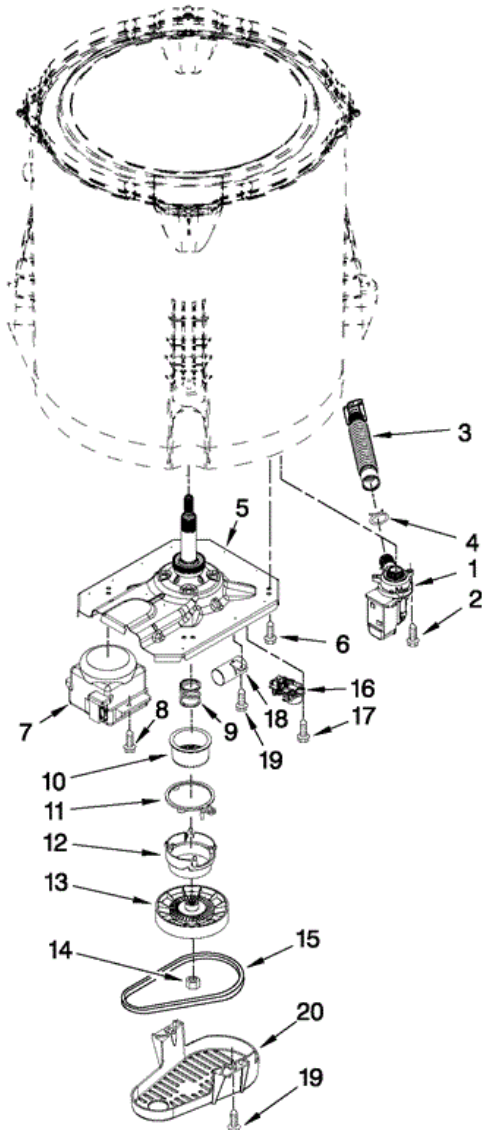
| | | |
|----|-----------|---|
| 1 | W10305251 | CAP, IMPELLER |
| 2 | W10003790 | SCREW & WASHER ASSEMBLY |
| 3 | 3949550 | WASHER |
| 4 | W10215146 | TUB RING (INCLUDES ITEM 5) |
| 5 | W10205824 | ABSORBER, IMPACT |
| 6 | W10215119 | IMPELLER (WASHPLATE) |
| 7 | 8533953 | SCREW, 8-16 X 1.000 |
| 8 | W10291415 | HUB - DRIVEN, BASKET (INCLUDES ITEMS 7, 9 & 10) |
| 9 | W10291416 | BLOCK, BASKET DRIVE (INCLUDES ITEMS 7, 8 & 10) |
| 10 | W10291417 | NUT, SPANNER (INCLUDES ITEMS 7, 8 & 9) |
| 11 | W10238268 | BASKET ASSEMBLY (INCLUDES ITEMS 7, 8, 9 & 10) |
| 12 | W10238301 | TUB (INCLUDES ITEM 13) |
| 13 | W10006371 | SEAL, TUB |
| 14 | W10215093 | FILTER, DRAIN PUMP |
| 15 | 8533928 | SCREW, 8-18 X ¾ |
| 16 | W10257085 | DAMPER ASS. TUB SUSPENSION (4-INCL. 17 & 18) |
| 17 | W10215136 | BALL, SUSPENSION (SET OF 4 - INCLUDES ITEM 18) |
| 18 | W10256551 | BUSHING, SUSPENSION (SET OF 4 - INCLUDES 17) |
| 19 | W10328392 | HARNESS, LOWER (INCLUDES ITEM 20) |
| 20 | 8572540 | HOSE PRESSURE SWITCH |
| 21 | W10005430 | CLAMP, PRESSURE HOSE RETAINER |
| 22 | 8533943 | SCREW, 10-16 X 3/4 |
| 23 | W10298887 | CABLE TIE |
| 24 | W10348658 | SPRING, TUB CENTERING |

Distribuidor Autorizado

SurteRápido.com

Venta de Refacciones
Electrodomesticas

7MMVWX510YW0 TRANSMISION





7MMVWX510YW0 TRANSMISION

| | | |
|----|-----------|---|
| 1 | W10276397 | PUMP ASSEMBLY, DRAIN |
| 2 | W10004910 | SCREW, 12-16 X 1.25 |
| 3 | W10444123 | HOSE, INNER DRAIN ASSEMBLY |
| 4 | 8317496 | CLAMP, HOSE |
| 5 | W10006401 | GEARCASE ASS. (INCL. 7, 8, 9, 10 & 13 ON PAGE 5) |
| 6 | W10249633 | SCREW, 7.2-1.6 X 30 |
| 7 | W10249628 | MOTOR, DRIVE |
| 8 | W10094780 | SCREW, M8-1.25 X 20 |
| 9 | W10326374 | SPRING, SPLUTCH (INCLUDES ITEMS 10, 11, 12 & 13) |
| 10 | W10006352 | SLIDER, SPLUTCH (INCLUDES ITEMS 9, 11, 12 & 13) |
| 11 | W10006353 | CAM RING, SPLUTCH (INCLUDES ITEMS 9, 10, 12 & 13) |
| 12 | W10006354 | CAM, SPLUTCH (INCLUDES ITEMS 9, 10, 11 & 13) |
| 13 | W10006356 | PULLEY |
| 14 | W10163336 | NUT, PULLEY |
| 15 | W10006384 | BELT, DRIVE |
| 16 | W10006355 | ACTUATOR, SHIFT |
| 17 | 9741052 | SCREW, 6-32 X 1.00 |
| 18 | W10278117 | CAPACITOR, MOTOR RUN |
| 19 | 357640 | SCREW, 10-16 X 5/8 |
| 20 | W10006383 | SHIELD, PULLEY COVER |