

Whirlpool

SERVICE

CENTRO DE SOLUCIONES



LO ORIGINAL MARCA DIFERENCIA

EXPLOSIONADO DE PARTES

— LAVAVAJILLAS —

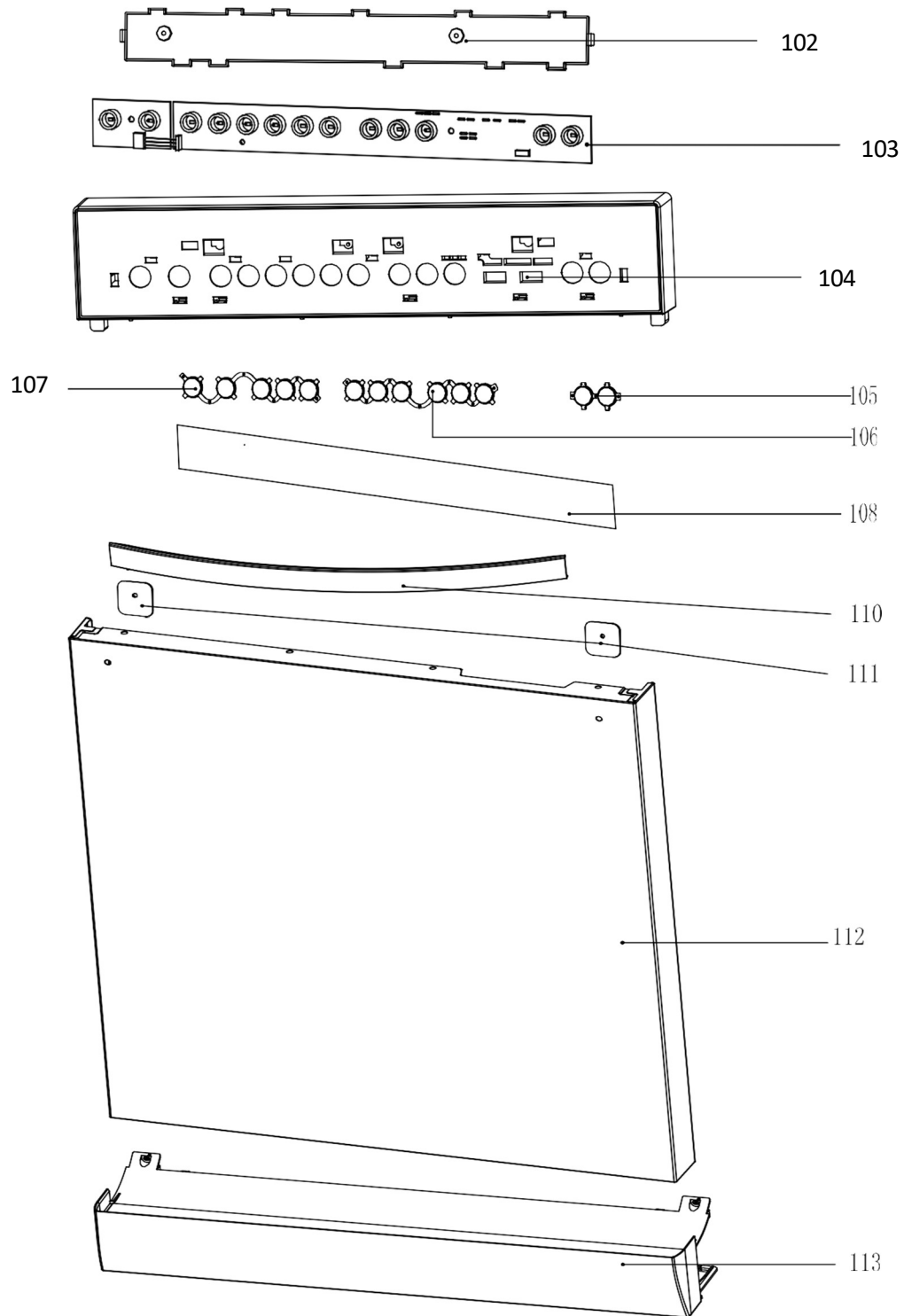
MODELO | 7MWDF830SFGM

acros

Whirlpool
CORPORATION

MAYTAG

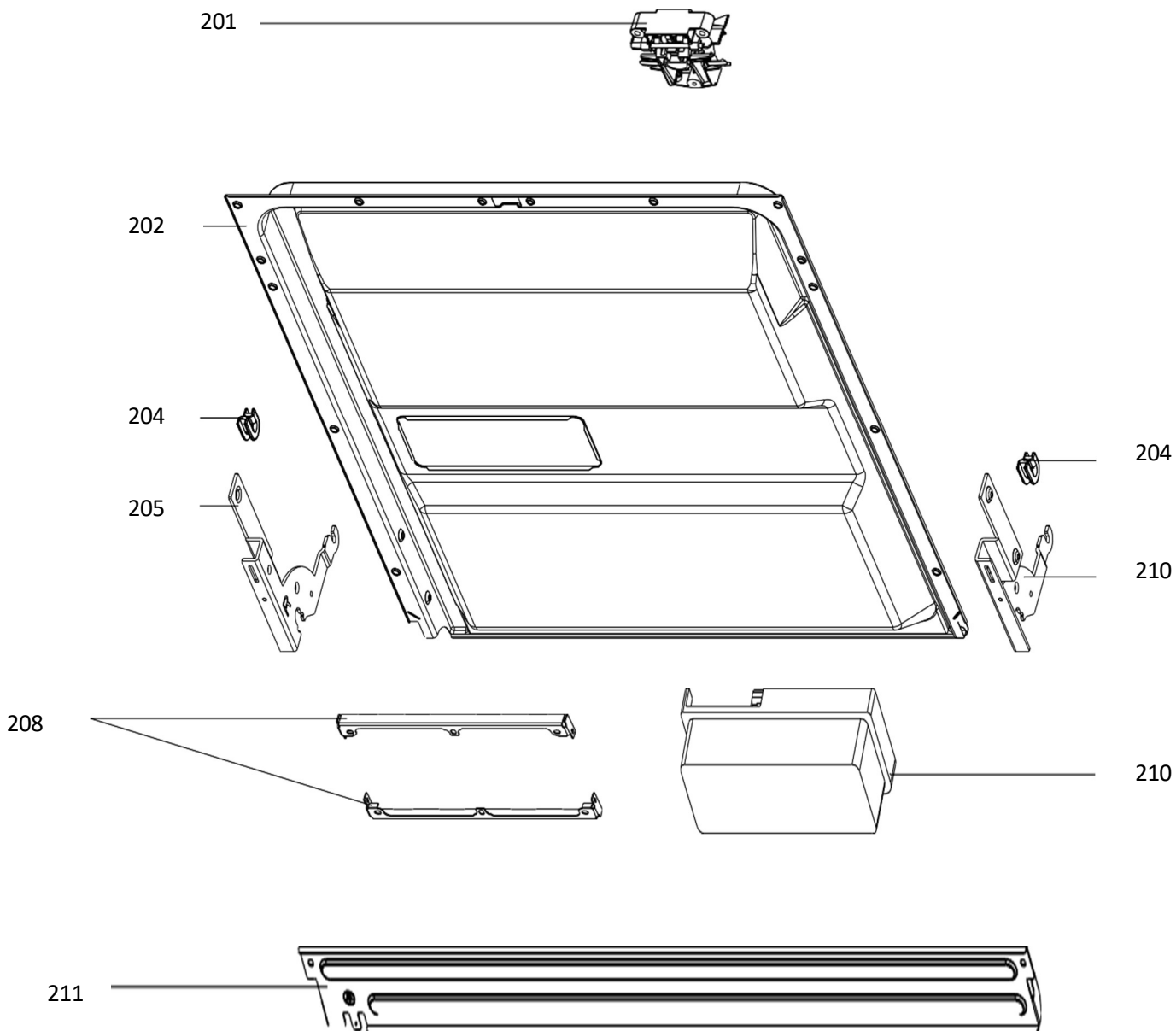
KitchenAid™



| Ilus. Nu. | DESCRIPTION | Qty. | Part Number |
|----------------------|-----------------------------------|-------------|--------------------|
| 102 | Caja de Montaje Tarjeta Display | 1 | 12176000021847 |
| 103 | Tarjeta Electrónica Display (PCB) | 1 | 17176000021405 |
| 104 | Ensamble de panel de control | 1 | 12176000A35474 |
| 105 | Ensamble de Guía de Luz 1 | 1 | 12176000021848 |
| 106 | Ensamble de Guía de Luz 2 | 1 | 12176000021850 |
| 107 | Ensamble de Guía de Luz 3 | 1 | 12176000021849 |
| 108 | Separador Interno de Panel | 1 | 12176000A42441 |
| 110 | Agarradera / Manija | 1 | 12976000004224 |
| 111 | Empaque Puerta | 2 | 12276000001817 |
| 112 | Puerta exterior | 1 | 12276000012006 |
| 113 | Vista ornamental inferior | 1 | 12176000A33146 |



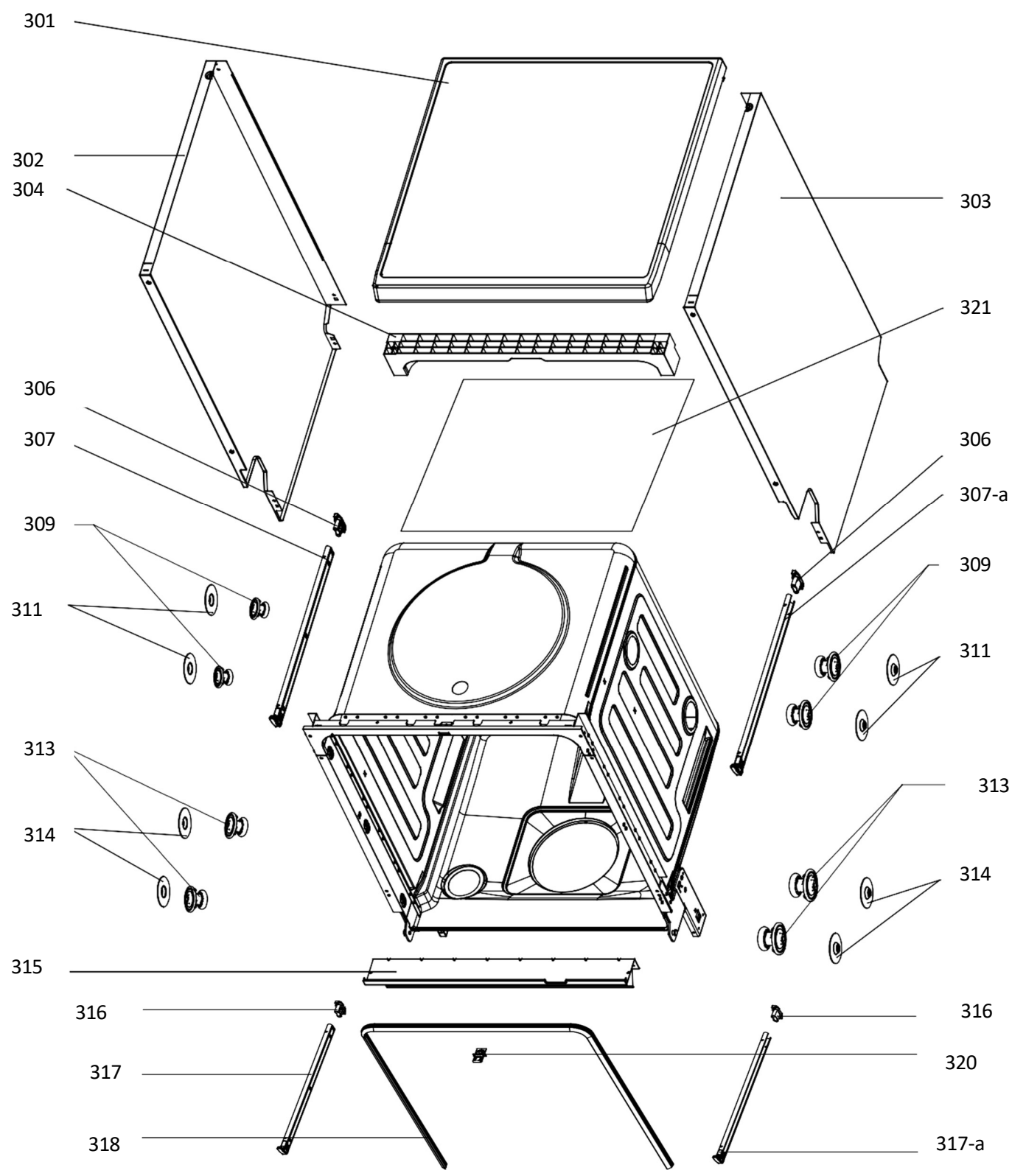
LAVAVAJILLAS 7MWDF830SFGM



| Ilus. Nu. | DESCRIPTION | Qty. | Part Number |
|----------------------|-----------------------------|-------------|--------------------|
| 201 | Switch de puerta | 1 | 17476000000048 |
| 202 | Ensamble de puerta interior | 1 | 12276000005319 |
| 204 | Anillo de retención | 2 | 12176000003629 |
| 205 | Bisagra izquierda | 1 | 12276000001731 |
| 208 | Soporte de dispensador | 1 | 12276000001459 |
| 209 | Dispensador | 1 | 17476000001476 |
| 210 | Bisagra derecha | 1 | 12276000001778 |
| 211 | Soporte interior | 1 | 12276000001852 |



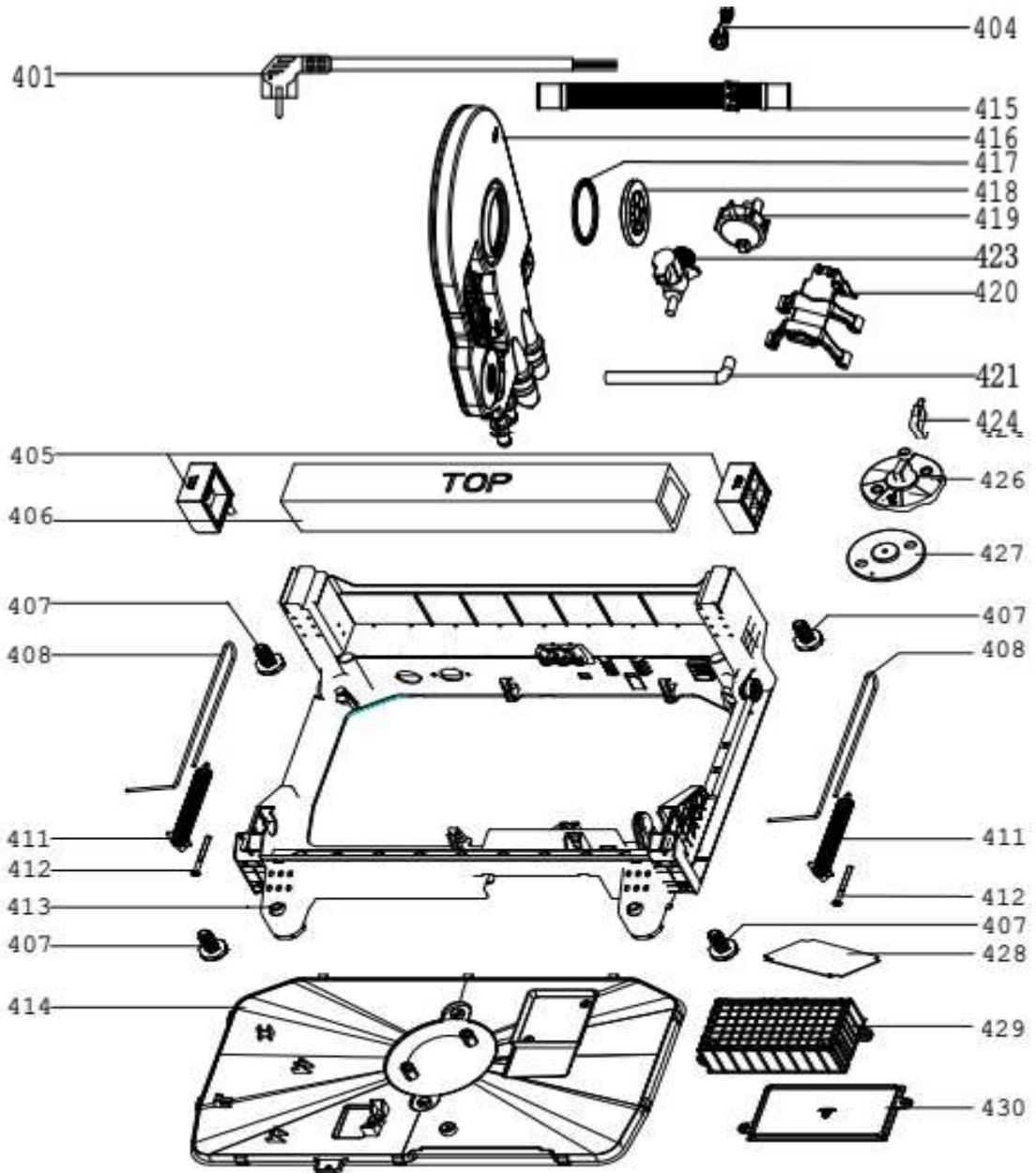
LAVAVAJILLAS 7MWDF830SFGM



BENITO JUÁREZ #1500 GPE ZITON, CD. GUADALUPE NUEVO LEÓN TEL: 8183377999 Y 49
HORARIOS: LUNES A VIERNES 8:30 A 6:00 PM Y SÁBADOS DE 8:30 A 2:00 PM

www.denek.com

| Ilus. Nu. | DESCRIPTION | Qty. | Part Number |
|----------------------|------------------------------|-------------|--------------------|
| 301 | Panel superior | 1 | 12176000A35843 |
| 302 | Panel izquierdo | 1 | 12276000001201 |
| 303 | Panel derecho | 1 | 12276000006844 |
| 304 | Soporte superior trasero | 1 | 12176000003869 |
| 306 | Tapones rieles inferiores | 1 | 12176000008517 |
| 307 | Riel Izquierdo | 1 | 12276000001341 |
| 307-a | Riel Derecho | 1 | 12276000001344 |
| 309 | Rodillos Canasta inferior | 2 | 12176000010336 |
| 311 | Soporte de Rodillos inferior | 2 | 12176000008444 |
| 313 | Rodillos canasta inferior | 2 | 12176000010412 |
| 314 | Soporte de Rodillos superior | 2 | 12176000008573 |
| 315 | Panel frontal | 1 | 12276000001818 |
| 316 | Tapones rieles superiores | 1 | 12176000008496 |
| 317 | Riel Izquierdo superior | 1 | 12276000001357 |
| 317-a | Riel derecho superior | 1 | 12276000001360 |
| 318 | Empaque de puerta | 1 | 12676000003821 |
| 320 | Gancho de cierre de puerta | 1 | 12176000009491 |
| 321 | Panel trasero | 1 | 12176000010248 |



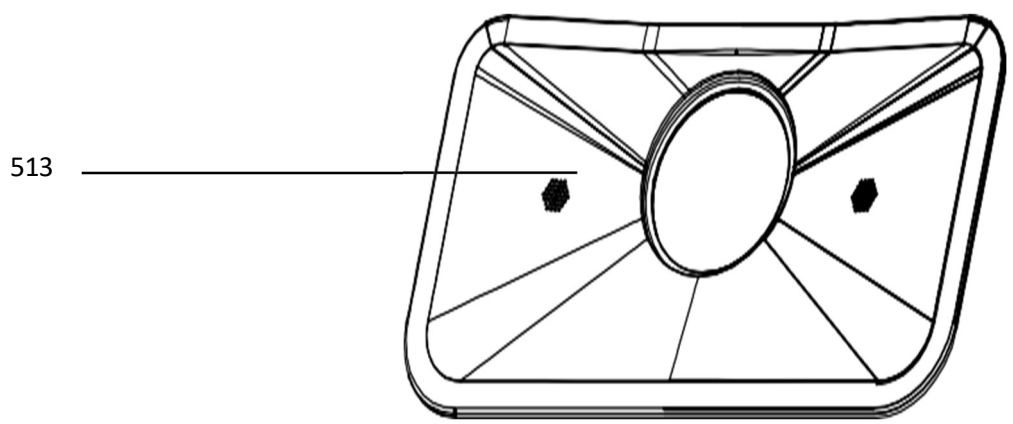
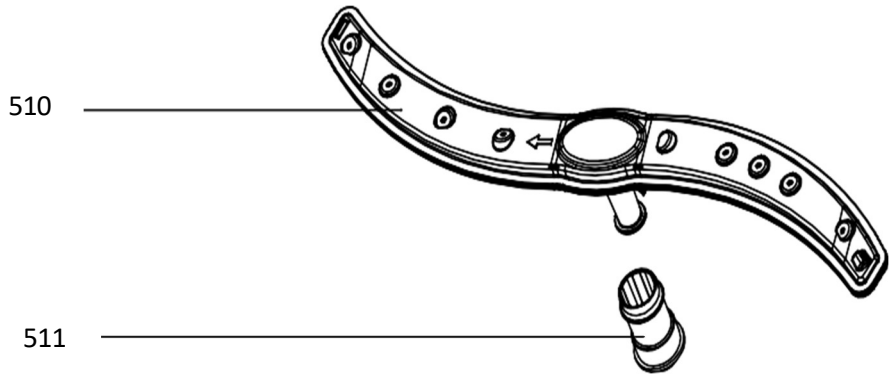
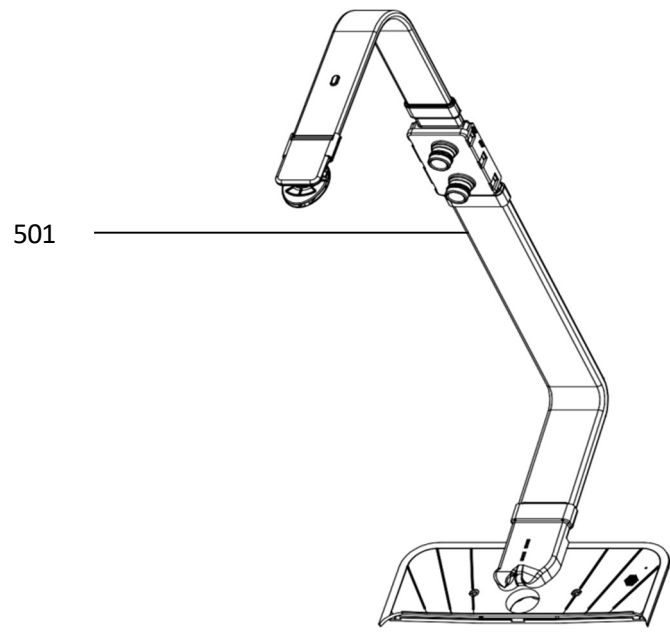


LAVAVAJILLAS 7MWDF830SFGM

| Ilus. Nu. | DESCRIPTION | Qty. | Part Number |
|----------------------|--|-------------|--------------------|
| 401 | Cable de alimentación | 1 | 17476000000043 |
| 404 | Sujetador para cable de alimentación | 1 | 12176000009503 |
| 405 | Sujetadores para Contrapeso | 1 | 12176000014945 |
| 406 | Contrapeso | 1 | 12776000000004 |
| 407 | Niveladores | 2 | 12176000009741 |
| 408 | Cuerda para puerta | 1 | 12976000000392 |
| 411 | Resortes | 1 | 12976000000133 |
| 412 | Tornillos para ajuste de resorte de puerta | 1 | 12976000001001 |
| 413 | Estructura base | 1 | 12176000019563 |
| 414 | Cubierta estructura base | 1 | 12176000015483 |
| 415 | Tubo de drenado | 1 | 12676000000138 |
| 416 | Respiradero | 1 | 12176000003911 |
| 417 | Empaque de respiradero | 1 | 12676000000713 |
| 418 | Tuerca de respiradero | 1 | 12176000013663 |
| 419 | Switch de presión | 1 | 17476000001206 |
| 420 | Soporte para Bomba | 1 | 12276000008925 |
| 421 | Manguera para respiradero | 1 | 12676000000140 |
| 423 | Válvula de entrada | 1 | 17476000001178 |
| 424 | Microswitch | 1 | 17476000001137 |
| 426 | Cople para Switch | 1 | 12176000003125 |
| 427 | Flotador | 1 | 12876000000050 |
| 428 | Tarjeta Principal (PCB) | 1 | 17176000021402 |
| 429 | Cubierta plástica para PCB | 1 | 12176000016897 |
| 430 | Caja PCB | 1 | 12176000016896 |



LAVAVAJILLAS 7MWDF830SFGM



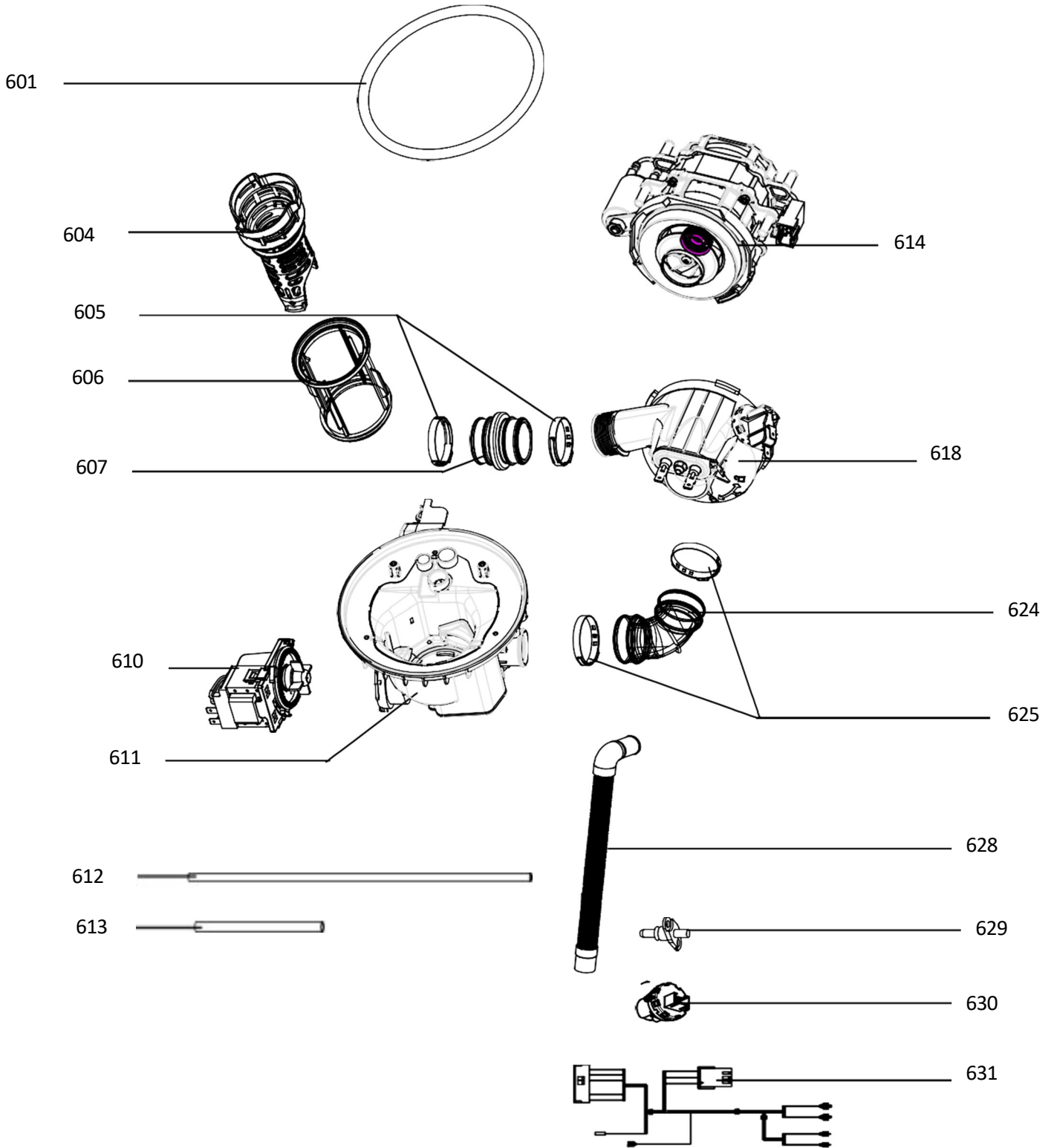


LAVAVAJILLAS 7MWDF830SFGM

| Ilus. Nu. | DESCRIPTION | Qty. | Part Number |
|----------------------|------------------------------|-------------|--------------------|
| 501 | Tubo de rociador | 1 | 12176000009472 |
| 510 | Rociador inferior | 1 | 12176000009161 |
| 511 | Cople para rociadro inferior | 1 | 12176000008645 |
| 513 | Panel de filtrado | 1 | 12176000003689 |

Pump & Motor Parts

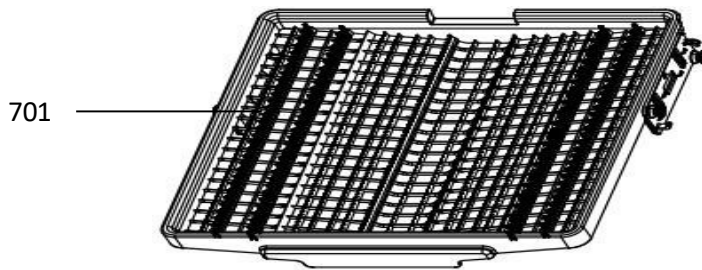
Modelo: 7MWDF830SFGM



Pump & Motor Parts

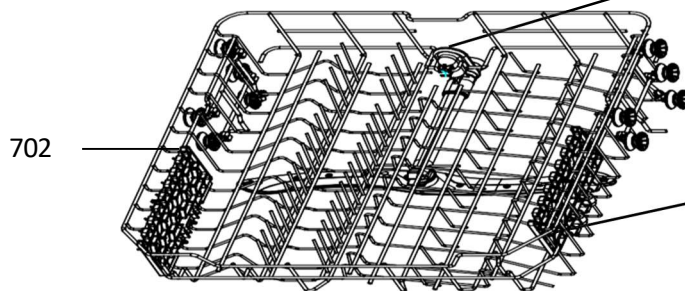
Modelo: 7MWDF830SFGM

| Ilus. Nu. | DESCRIPTION | Qty. | Part Number |
|--------------|------------------------------------|------|----------------|
| 601 | Anillo de sellado | 1 | 12676000001461 |
| 604 | Manija de filtro | 1 | 12176000018543 |
| 605 | Abrazaderas | 1 | 12976000004604 |
| 606 | Filtro cilindrico | 1 | 12176000003676 |
| 607 | Tubo de entrada | 1 | 12676000000146 |
| 610 | Bomba de drenado | 1 | 11001011000221 |
| 611 | Retenedor de Agua | 1 | 12176000016230 |
| 612 | Interruptor de Presión Tubo de Pvc | 1 | 12676000000651 |
| 613 | Tubo | 1 | 12676000000644 |
| 614 | Bomba de Rociador | 1 | 17476000001534 |
| 618 | Calefactor | 1 | 17476000001452 |
| 624 | Tubo de entrada | 1 | 12676000000100 |
| 625 | Abrazaderas | 1 | 12976000000308 |
| 628 | Manguera de drenado | 1 | 12676000000947 |
| 629 | Sensor de temperatura | 1 | 17176000012008 |
| 630 | Sensor de turbidez | 1 | 17176000014521 |
| 631 | Arnés para Sensor de Turbiedad | 1 | 17476000000382 |



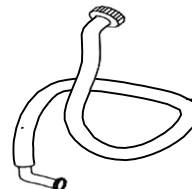
701

704

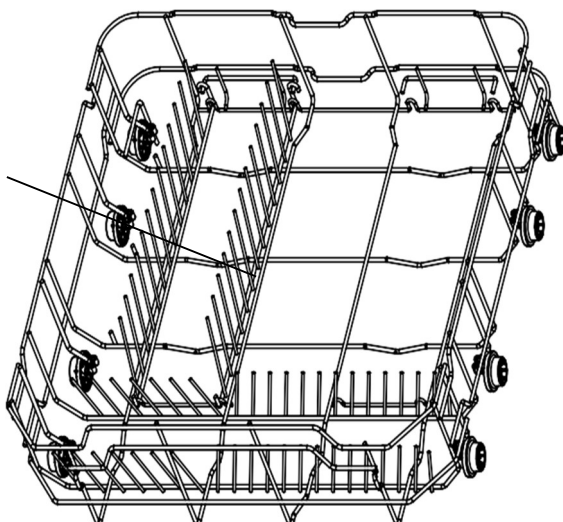


702

705



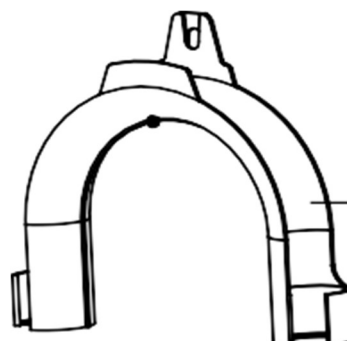
710



703



712



721

| Ilus. Nu. | DESCRIPTION | Qty. | Part Number |
|----------------------|----------------------------------|-------------|--------------------|
| 701 | Bandeja de cubiertos | 1 | 12176000002819 |
| 702 | Cesta superior | 1 | 12976000001617 |
| 703 | Cesta inferior | 1 | 12976000001347 |
| 704 | Rociador intermedio | 1 | 12176000009173 |
| 705 | Sujetadores de copas | 1 | 12176000013316 |
| 710 | Manguera de alimentación | 1 | 12176000024909 |
| 712 | Arnés Principal | 1 | 17476000007282 |
| 721 | Sujetador de Manguera de drenado | 1 | 12176000003622 |