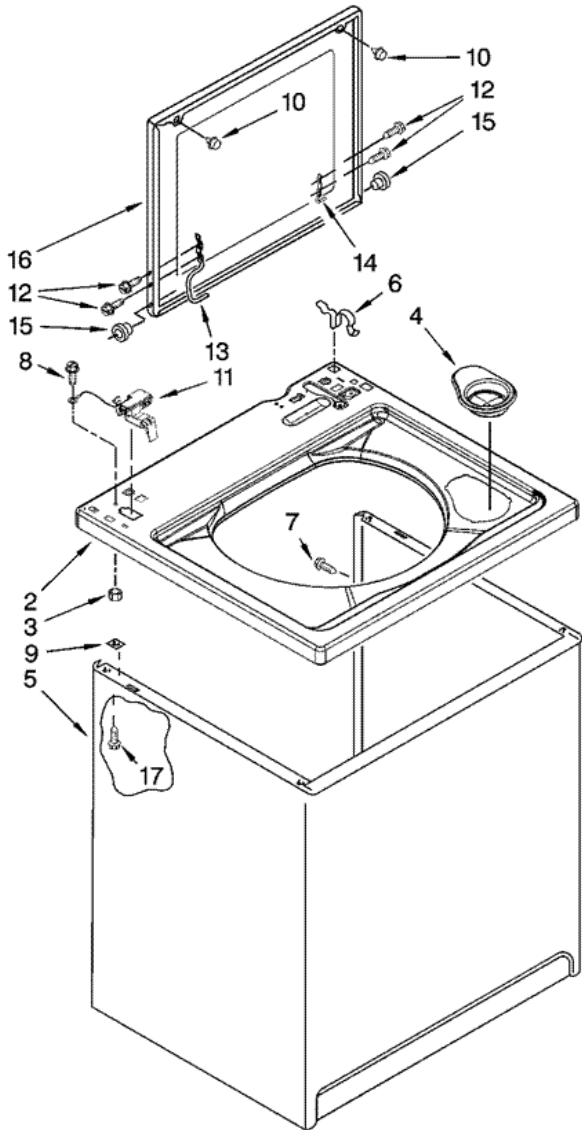


7MWE87680SM0 GABINETE





7MWE87680SM0 GABINETE

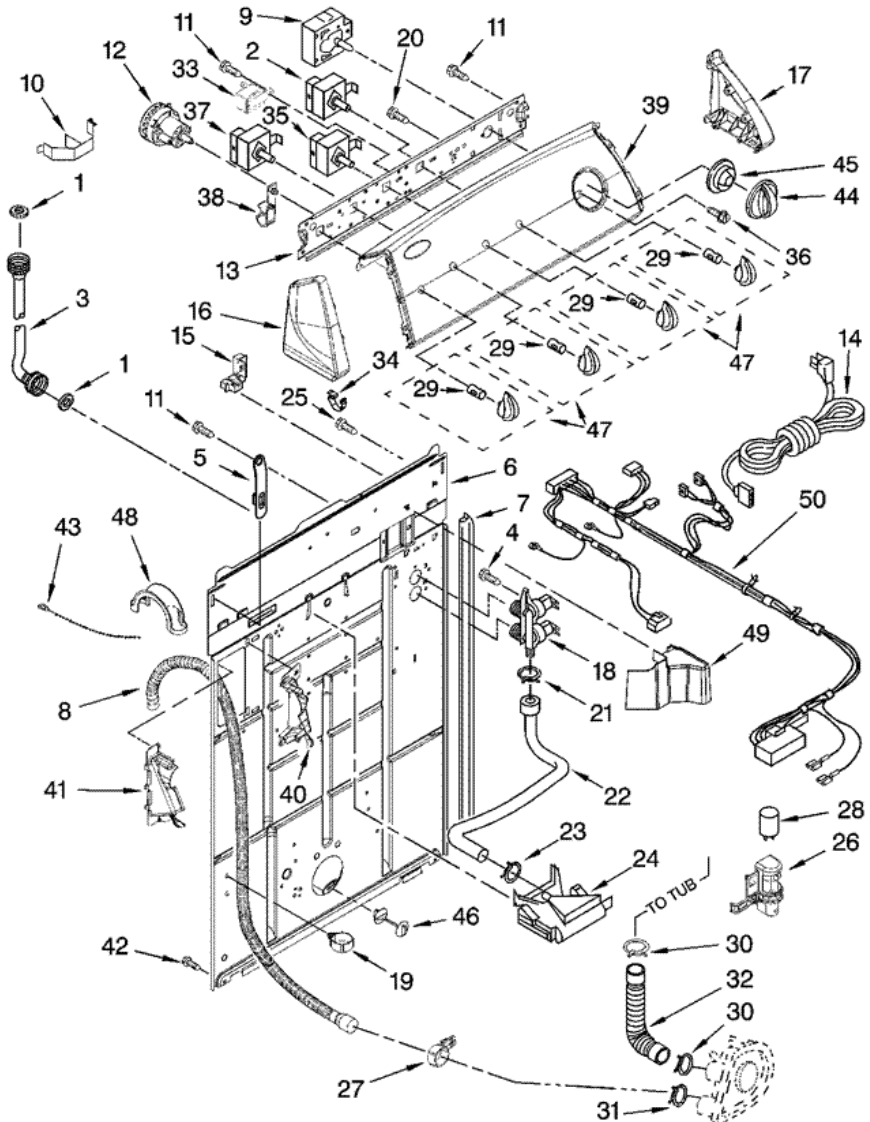
2	8566017	TOP (S/P)
3	680762	NUT, HEX (S/P)
4	8566266	DISPENSER, BLEACH (S/P)
5	63424	CABINET (S/P)
6	62780	CLIP, TOP & CABINET & REAR PANEL (2)
7	3357011	SCREW, 10-16 X 1/2 (S/P)
8	3351614	SCREW, GROUND (S/P)
9	62750	SPACER, CABINET TO TOP (4) (S/P)
10	93770	BUMPER, LID (2)
11	8318084	SWITCH, LID
12	W10119828	SCREW, LID HINGE MOUNTING (4) (S/P)
13	8559336	HINGE, LID (L.H.) (S/P)
14	91770	HINGE, LID (R.H.) (S/P)
15	8319539	BEARING, LID HINGE (2) (S/P)
16	8541777	LID (S/P)
17	3390631	SCREW, 10-16 X 3/8 (4) (S/P)

Distribuidor Autorizado

SurteRápido.com

Venta de Refacciones
Electrodomesticas

7MWE87680SM0 TABLERO



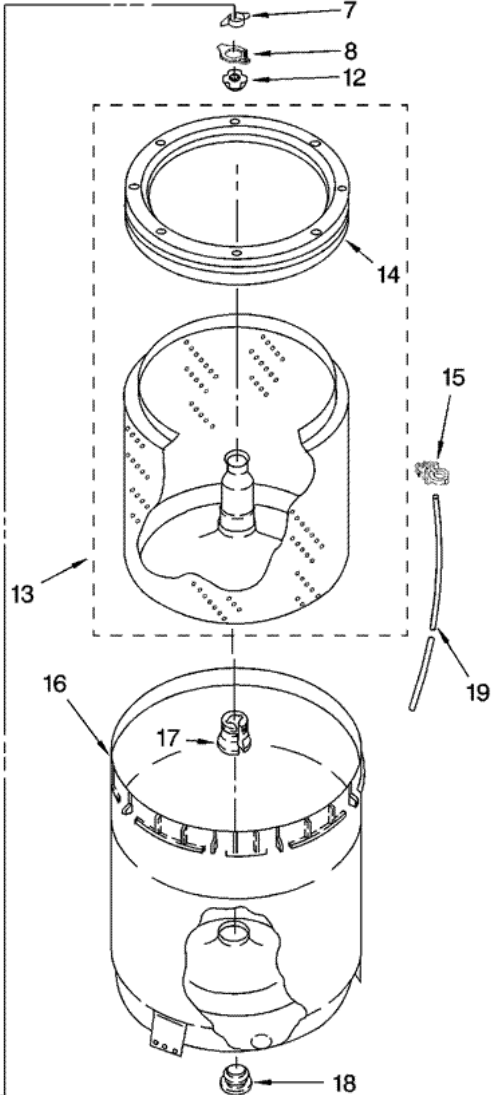
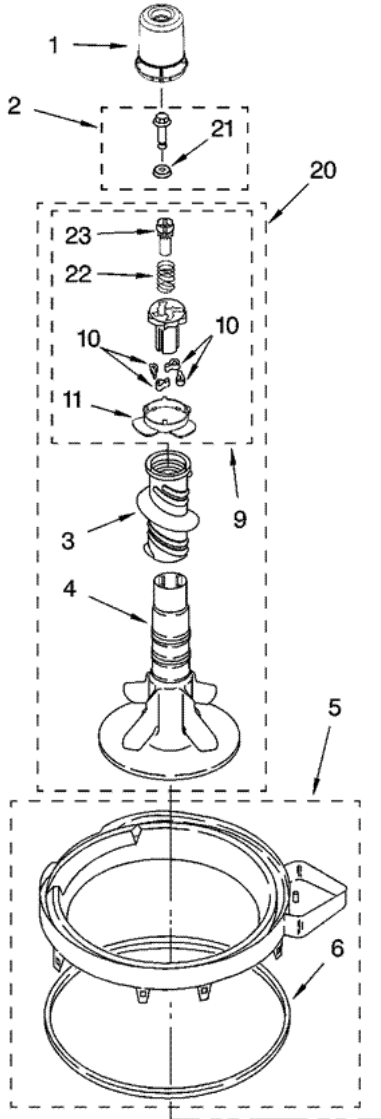


7MWE87680SM0 TABLERO

1	16123	WASHER, WATER INLET HOSE (4) (1-1/16 X 5/8) (S/P)
2	W10168262	SWITCH, ROTARY (S/P)
3	89503	HOSE, WATER INLET (2) (BLUE COUPLER)
3	89503	HOSE, WATER INLET (2) (RED COUPLER)
4	9740848	SCREW, 8-18 X 1/2 (S/P)
5	8568314	STRAP, CONSOLE (2) (S/P)
6	8318015	PANEL, REAR (S/P)
7	62747	PAD, REAR PANEL (S/P)
8	280162	HOSE, DRAIN ASSEMBLY (INCLUDES ITEMS 19 & 27)
9	3951702	TIMER, CONTROL (60 HZ.)
10	8055003	CLIP, HARNESS & PRESSURE HOSE (S/P)
11	90767	SCREW, 8-18 X 3/8 (S/P)
12	3366845	SWITCH, WATER LEVEL
13	8566003	BRACKET, CONTROL (S/P)
14	W10115689	CORD, POWER (INCLUDES ITEM 15) (S/P)
15	285777	STRAIN RELIEF, POWER CORD (S/P)
16	8565957	CAP, END (L.H.) (INCLUDES ITEM 34) (S/P)
17	8565954	CAP, END (R.H.) (INCLUDES ITEM 34) (S/P)
18	285805	VALVE, WATER MIXING
19	8541667	CLAMP, HOSE (S/P)
20	3400073	SCREW, GROUND (S/P)
21	596669	CLAMP, HOSE (S/P)
22	3357328	HOSE, VACUUM BREAK
23	596669	CLAMP, HOSE (S/P)
24	3360977	BREAK, VACUUM
25	3351614	SCREW, GROUND (S/P)
26	8318046	CLIP, CAPACITOR (S/P)
27	8541668	CLAMP, LEG (S/P)
28	8572717	CAPACITOR, MOTOR START (S/P)
29	8536939	CLIP, KNOB (S/P)
30	616099	CLAMP, HOSE (S/P)
31	285655	CLAMP, HOSE (S/P)
32	285871	HOSE, PUMP TO TUB (INCLUDES ITEM 30)

33	694419	BUZZER, MINI (S/P)
34	8312709	CLIP, CONSOLE
35	W10168257	SWITCH, ROTARY (S/P)
36	3400818	SCREW, TIMER MOUNTING (S/P)
37	3950347	SWITCH, WATER TEMPERATURE (S/P)
38	8317975	RETAINER, HARNESS (S/P)
39	8543027	PANEL, CONSOLE (S/P)
40	8541669	BUCKET, DRAIN HOSE (LEFT HALF) (S/P)
41	8541658	BUCKET, DRAIN HOSE (RIGHT HALF) (S/P)
42	62863	SCREW, 10-16 X 3/8 (S/P)
43	W10339879	CABLE TIE (S/P)
44	8566022	KNOB, TIMER
45	8566018	DIAL, TIMER
46	8519200	SUPPORT, REAR PANEL
47	8565944	KNOB, CONTROL (S/P)
48	8577378	U-BEND, DRAIN HOSE (S/P)
49	8314879	SHIELD, INLET VALVE (S/P)
50	3957374	HARNESS, WIRING (S/P)

7MWE87680SM0 TINAS

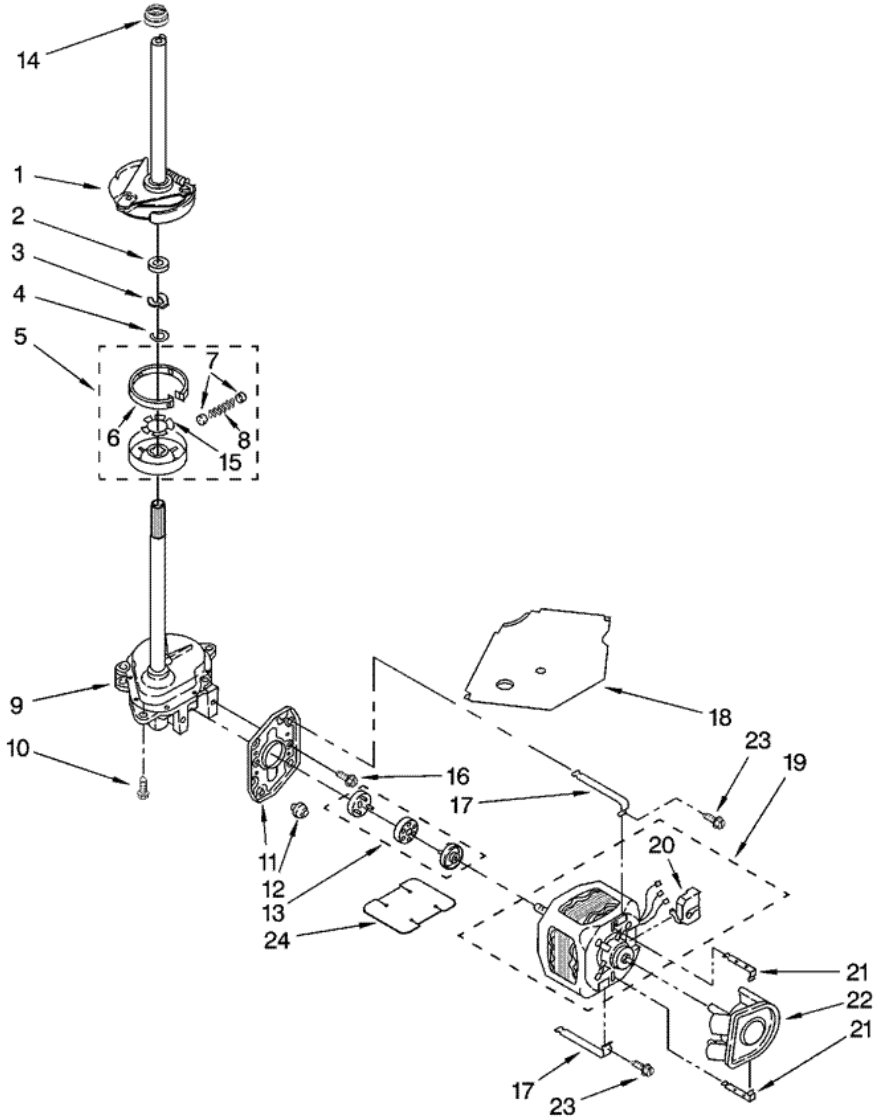




7MWE87680SMO TINAS

1	8528278	DISPENSER
2	358237	SCREW & WASHER (5/16-24 X 1)
3	3946996	AUGER, AGITATOR (S/P)
4	3947517	AGITATOR
5	8528150	TUB RING & GASKET
6	3976308	GASKET, TUB RING
7	3354845	CLIP, AGITATOR (S/P)
8	8543666	WASHER-AGITATOR (S/P)
9	8537433	CAM, DRIVEN (S/P)
10	285770	DOG, AGITATOR CLUTCH (4)
11	8055141	BEARING-DRIVEN CAM (S/P)
12	21366	NUT, SPANNER
13	W10389328	BASKET & BALANCE RING (S/P)
14	387240	BALANCE RING
15	2219077	CLIP, PRESSURE SWITCH HOSE (S/P)
16	63849	TUB (S/P)
17	389140	BLOCK, BASKET DRIVE
18	383727	GASKET, CENTERPOST
19	353244	HOSE, PRESSURE SWITCH
20	8538246	AGITATOR (COMPLETE) (S/P)
21	3949550	WASHER (S/P)
22	3946997	SPRING, COMPRESSION (S/P)
23	8533540	RETAINER, SPRING (S/P)

7MWE87680SM0 MOTOR





7MWE87680SM0 MOTOR

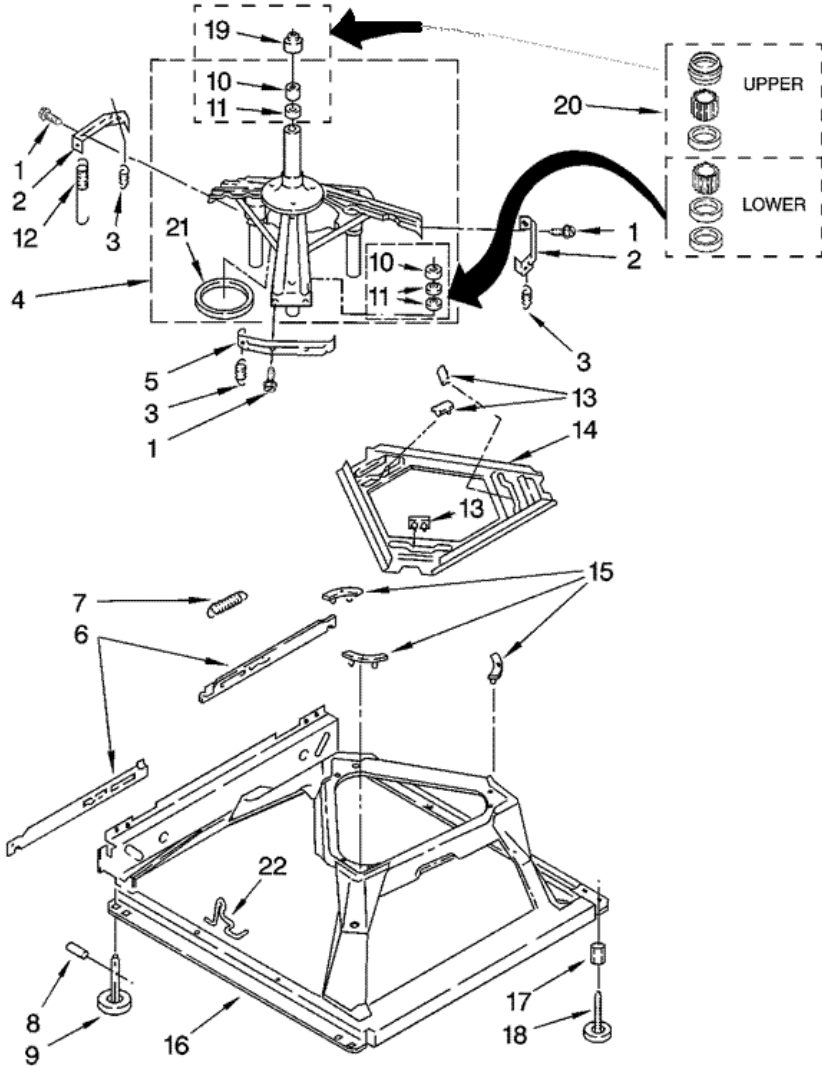
1	285792	BRAKE & DRIVE TUBE (COMPLETE)
2	63292	WASHER, SPIN TUBE THRUST
3	62697	RING, SPIN TUBE SUPPORT
4	285353	RING, RETAINER
5	285785	CLUTCH (COMPLETE)
6	285790	BAND & LINING, CLUTCH (INCLUDES ITEMS 7 & 8)
7	62646	CAP, CLUTCH SPRING (2) (S/P)
8	3946792	SPRING, CLUTCH (S/P)
9	3360629	GEARCASE (COMPLETE)
10	3357334	SCREW, GEARCASE TO BASE (3) (S/P)
11	62611	PLATE, MOTOR MOUNT TO GEARCASE
12	62691	GROMMET, MOTOR (4)
13	285753	COUPLING, MOTOR & ISOLATION
14	8577374	SEAL (S/P)
15	3355454	CLIP, ANTI-RATTLE (S/P)
16	3400516	SCREW (S/P)
17	W10086010	RETAINER, MOTOR (2)
18	3362089	SHIELD, TUB TO MOTOR (S/P)
19	389248	MOTOR, MAIN DRIVE
20	3952056	SWITCH, MAIN DRIVE MOTOR (S/P)
21	62700	RETAINER, PUMP (2)
22	3363394	PUMP (COMPLETE)
23	3387485	SCREW, 10-16 X 5/8 (S/P)
24	8316060	SHIELD, MOTOR (S/P)

Distribuidor Autorizado

SurteRápido.com

Venta de Refacciones
Electrodomesticas

7MWE87680SM0 BASE

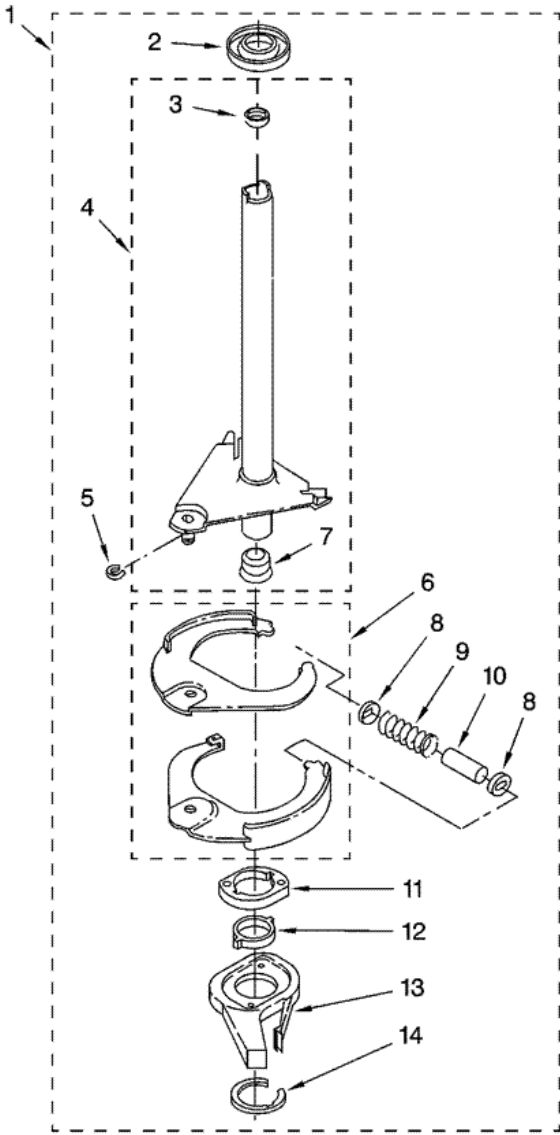




7MWE87680SM0 BASE

1	3400076	SCREW, BRACKET MOUNTING (10-32 X 5/8) (S/P)
2	64067	BRACKET, SPRING OUTER (2)
3	63907	SPRING SUSPENSION, (3)
4	280184	SUPPORT & BRAKE, TUB
5	64065	BRACKET, SPRING OUTER (L.F.)
6	63466	LINK, LEVELING MECHANISM (2) (S/P)
7	8316845	SPRING, LEVELING MECHANISM
8	62837	PIN, KNURLED (S/P)
9	285244	FOOT, REAR (2)
10	8546455	BEARING, CENTERPOST (2) (S/P)
11	359449	SEAL, CENTERPOST (3)
12	388492	SPRING, COUNTERWEIGHT
13	285219	PAD, PLATE
14	3946509	PLATE, SUSPENSION (INCLUDES ITEM 13)
15	285744	PAD, BASE
16	285771	BASE ASSEMBLY
17	3359452	NUT, LOCK (2) (3/8-16) (S/P)
18	389102	FOOT, FRONT (2)
19	91938	SEAL, CENTERPOST
20	285203	CENTERPOST BEARING KIT
21	63134	RING, SOUND DEADENING
22	63806	RETAINER, SUSPENSION SPRING

7MWE87680SM0 FLECHA HUECA





7MWE87680SM0 FLECHA HUECA

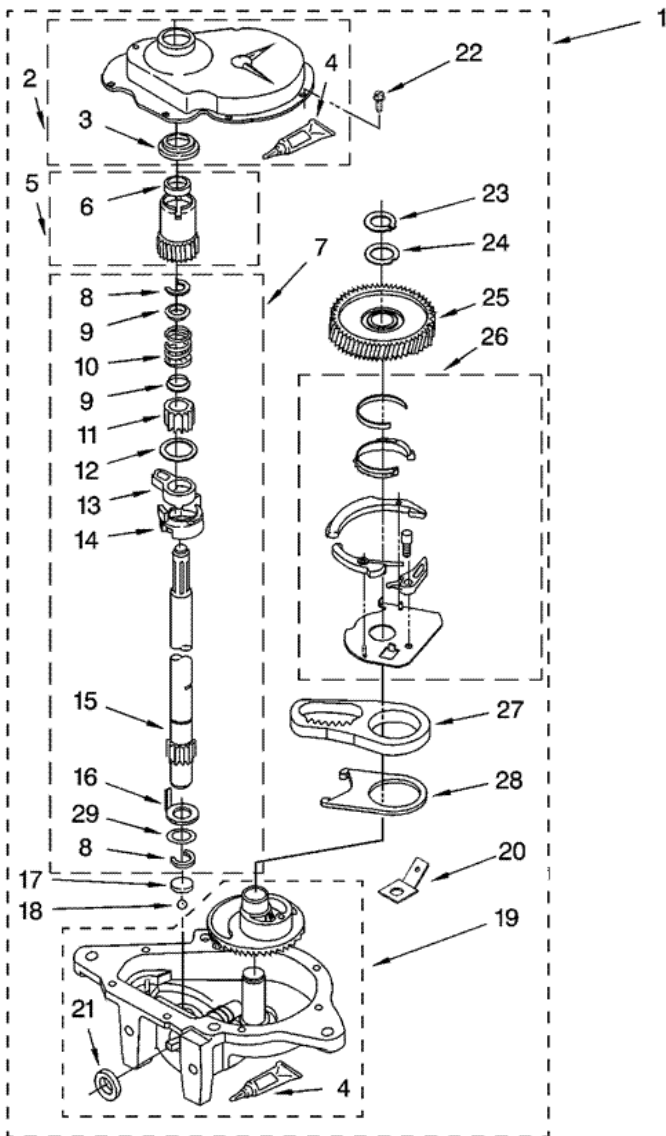
1	285792	BRAKE AND DRIVE TUBE (COMPLETE)
2	62658	RING, THRUST
3	356427	SEAL, DRIVE TUBE
4	285790	TUBE, BASKET DRIVE (INCLUDES ILLUS. 3, 4, 5 & 9)
5	W10083190	RING, RETAINING (S/P)
6	285438	SHOE, BRAKE (2)
7	62703	``T`` BEARING, SPIN TUBE
8	285658	CAP, BRAKE SPRING (2) (S/P)
9	387806	SPRING, BRAKE
10	285658	SLEEVE, BRAKE SPRING (S/P)
11	661516	CAM, BRAKE RELEASE
12	63022	SLEEVE, CAM DESCONTINUADO
13	285790	DRIVER, BRAKE CAM
14	90368	RING, RETAINING
14	285208	LUBRICANT (S/P)

Distribuidor Autorizado

SurteRápido.com

Venta de Refacciones
Electrodomesticas

7MWE87680SM0 TRANSMISION





7MWE87680SM0 TRANSMISION

1	3360629	GEARCASE (COMPLETE)
2	285202	COVER, GEARCASE (S/P)
3	3349985	SEAL, GEARCASE COVER (S/P)
4	285195	SEALER, GASKET (.20 FL. OZ.) (6 ML) (S/P)
5	285362	PINION, SPIN (INCLUDES ILLUS. 25)
6	356427	SEAL, SPIN PINION
7	389387	SHAFT, AGITATOR (COMPLETE) (S/P)
8	90369	RING, RETAINING (2)
9	62677	RETAINER, SPRING (2)
10	62676	SPRING, AGITATE DESCONTINUADO
11	285509	GEAR, AGITATE (INCLUDES 15 & 29) (S/P)
12	62619	WASHER, AGITATE GEAR (S/P)
13	285206	CAM FOLLOWER (INCLUDES 14) (S/P)
14	285206	CAM, AGITATE (INCLUDES 13) (S/P)
15	285509	SHAFT, AGITATOR DESCONTINUADO
16	62618	WASHER, CAM THRUST
17	285205	BEARING, THRUST (INCLUDES 18)
18	285205	BALL, BEARING (INCLUDES 17)
19	285515	BOTTOM AND PINION, GEARCASE DESCONTINUADO
20	3949116	BLOCK TAB, TERMINAL (S/P)
21	285352	SEAL, THRUST PLUG
22	3351614	SCREW, GEARCASE COVER MOUNTING (8) (S/P)
23	285765	RING, RETAINING
24	285735	WASHER KIT, THRUST
25	62570	GEAR, SPIN
26	388253	NEUTRAL ASSEMBLY
27	3949609	RACK, CONNECTING
28	62621	ACTUATOR, SHIFT
29	388815	WASHER, INTERMEDIATE (S/P)