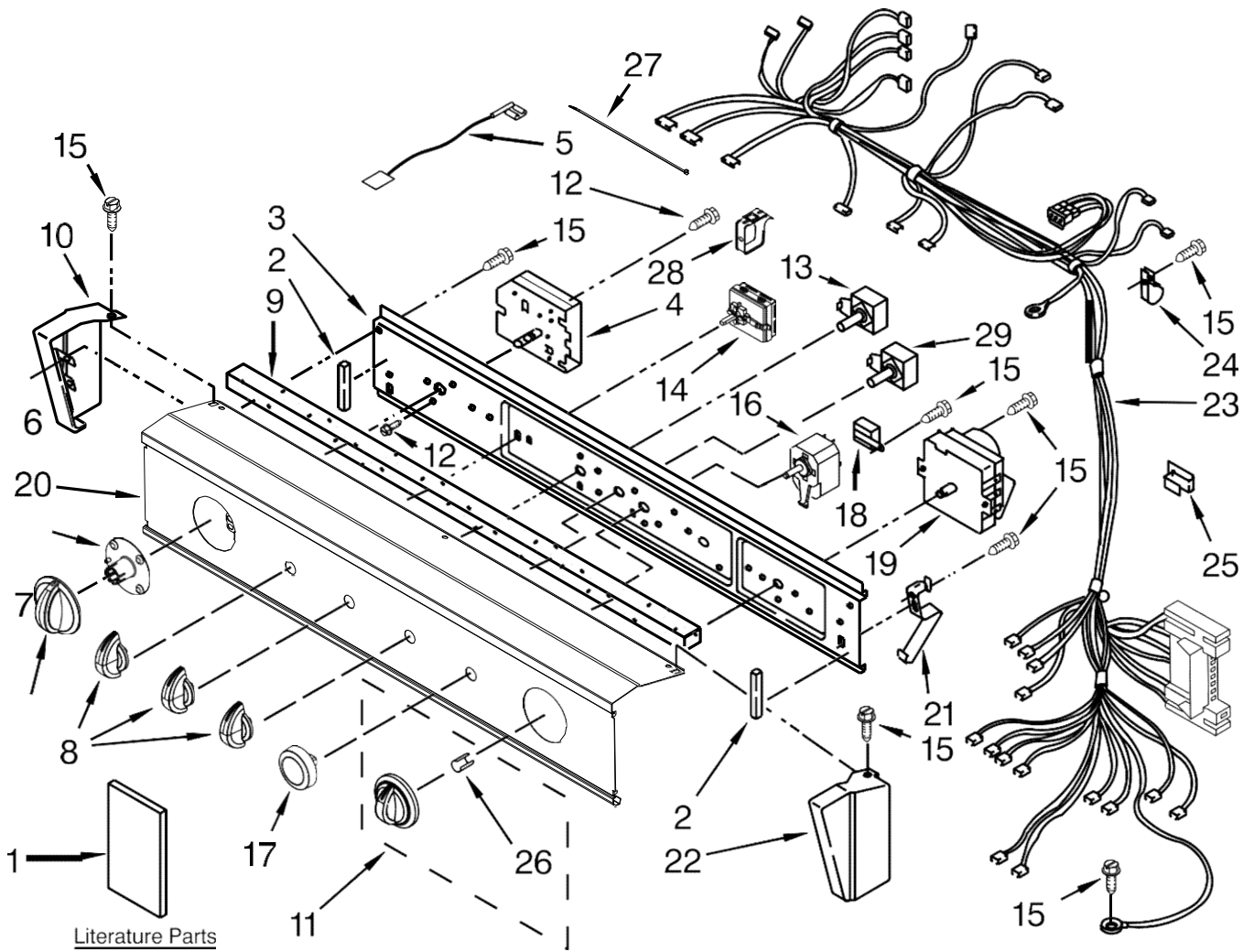




WASHER/DRYER LAUNDRY SYSTEM

MODELS:

7MWET3300EQ0 (White)



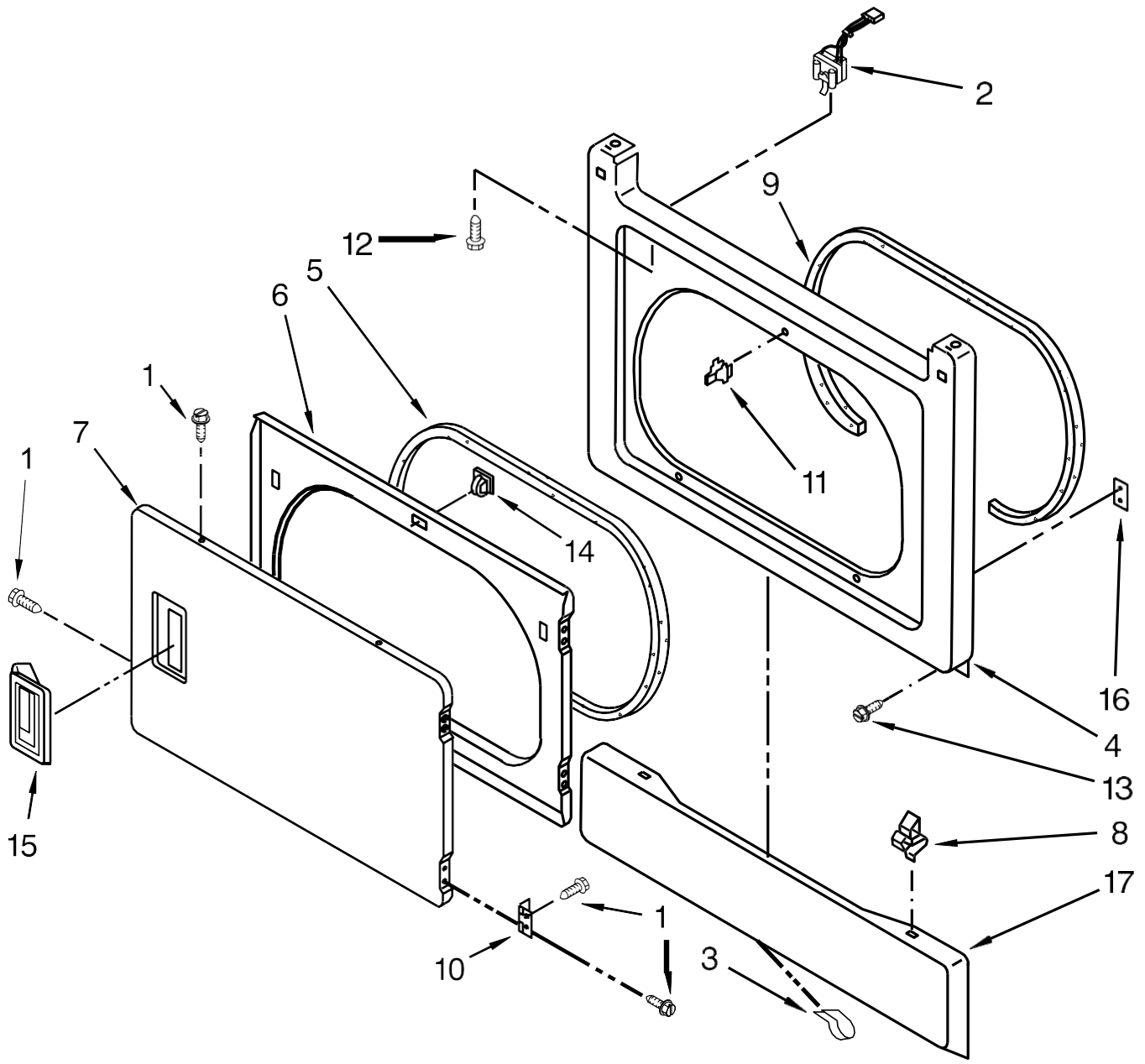


Centro de Lavado Whirlpool 7MWET3300EQ

| <u>Illus. No.</u> | <u>Part No.</u> | <u>Description</u> |
|--------------------------|------------------------|-----------------------------|
| 1 | | Literature Parts |
| | W10802780 | Installation Instructions |
| | W10802778 | Guide, Use and Care |
| | W10685958 | Wiring Diagram |
| 2 | 3390688 | Spacer, Foam Pad |
| 3 | W10732070 | Bracket, Control |
| 4 | W10113804 | Timer Assembly (60Hz.) |
| 5 | W10121648 | Wire, Jumper (Timer-Buzzer) |
| 6 | 8566018 | Dial, Timer |
| 7 | | Knob, Timer (Washer) |
| | 8566022 | White |
| 8 | | Assembly, Control Knob |
| | 8565944 | White |
| 9 | 8521965 | Gasket, Console |

| <u>Illus. No.</u> | <u>Part No.</u> | <u>Description</u> |
|--------------------------|------------------------|----------------------------|
| 10 | | End Cap (Left) |
| | 3389464 | White |
| 11 | | Knob, Timer (Dryer) |
| | 8566061 | White |
| 12 | 3400808 | Screw |
| 13 | W10544357 | Switch, Pressure (3 Level) |
| 14 | W10114118 | Switch, Temperature |
| 15 | 90767 | Screw |
| 16 | 3404233 | Switch, Push-To-Start |
| 17 | | Knob, Push To Start |
| | 8566073 | White |
| 18 | 694419 | Buzzer, Mini |
| 19 | W10642934 | Timer Assembly |
| 20 | W10339549 | Panel, Control |

| <u>Illus. No.</u> | <u>Part No.</u> | <u>Description</u> |
|--------------------------|------------------------|---------------------------|
| 21 | 3389453 | Bracket, Hinge |
| 22 | | End Cap (Right) |
| | 3389456 | White |
| 23 | W10640720 | Harness, Dryer |
| 24 | 3390604 | Clamp, Harness |
| 25 | 3390422 | Clip, Harness |
| 26 | 8536939 | Clip, Spring |
| 27 | W10334336 | Tie, Cable |
| 28 | W10210799 | Clip, Harness |
| 29 | 3949188 | Switch, Rotary |



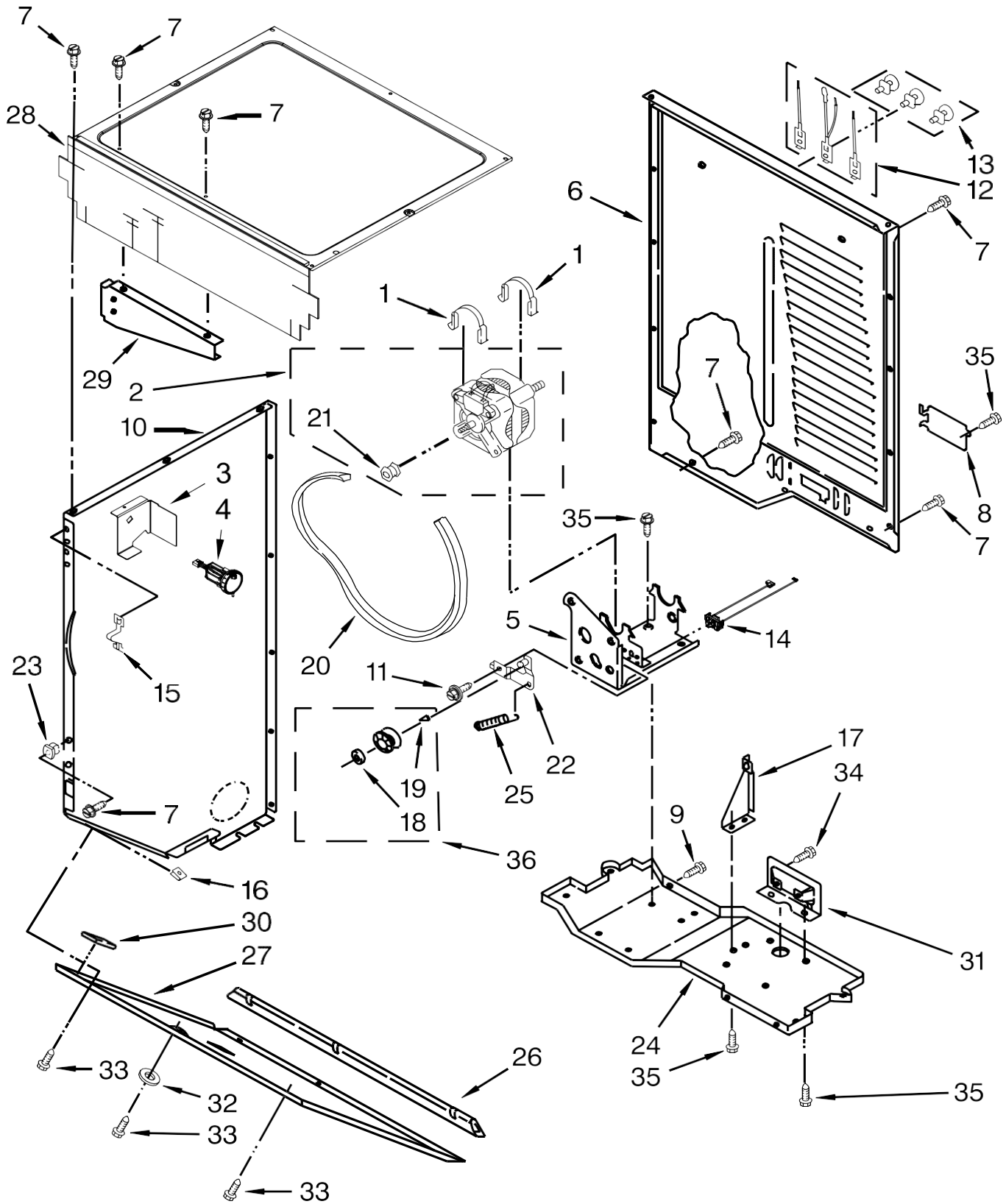


Centro de Lavado Whirlpool 7MWET3300EQ0

| <u>Illus. No.</u> | <u>Part No.</u> | <u>Description</u> |
|-------------------|-----------------|--------------------|
| 1 | 342055 | Screw |
| 2 | 3406107 | Switch, Door |
| 3 | 98234 | Clip, Ground |
| 4 | 3392547 | Panel, Front |
| 5 | W10823582 | Seal, Door |
| 6 | W10323061 | Door, Rear |
| 7 | W10322546 | Door, Front |
| 8 | 3388229 | Retainer |

| <u>Illus. No.</u> | <u>Part No.</u> | <u>Description</u> |
|-------------------|-----------------|------------------------|
| 9 | 3387242 | Seal, Front Panel |
| 10 | | Hinge, Spring Assembly |
| | W10279703 | Silver |
| 11 | W10601014 | Strike, Door |
| 12 | 697773 | Screw |
| 13 | 3393008 | Screw |
| 14 | 3398175 | Door Catch Assembly |

| <u>Illus. No.</u> | <u>Part No.</u> | <u>Description</u> |
|-------------------|-----------------|--------------------|
| 15 | | Handle, Door |
| | W10095180 | White |
| 16 | 3390902 | Clip, Door Hinge |
| 17 | 3388958 | Panel, Toe |





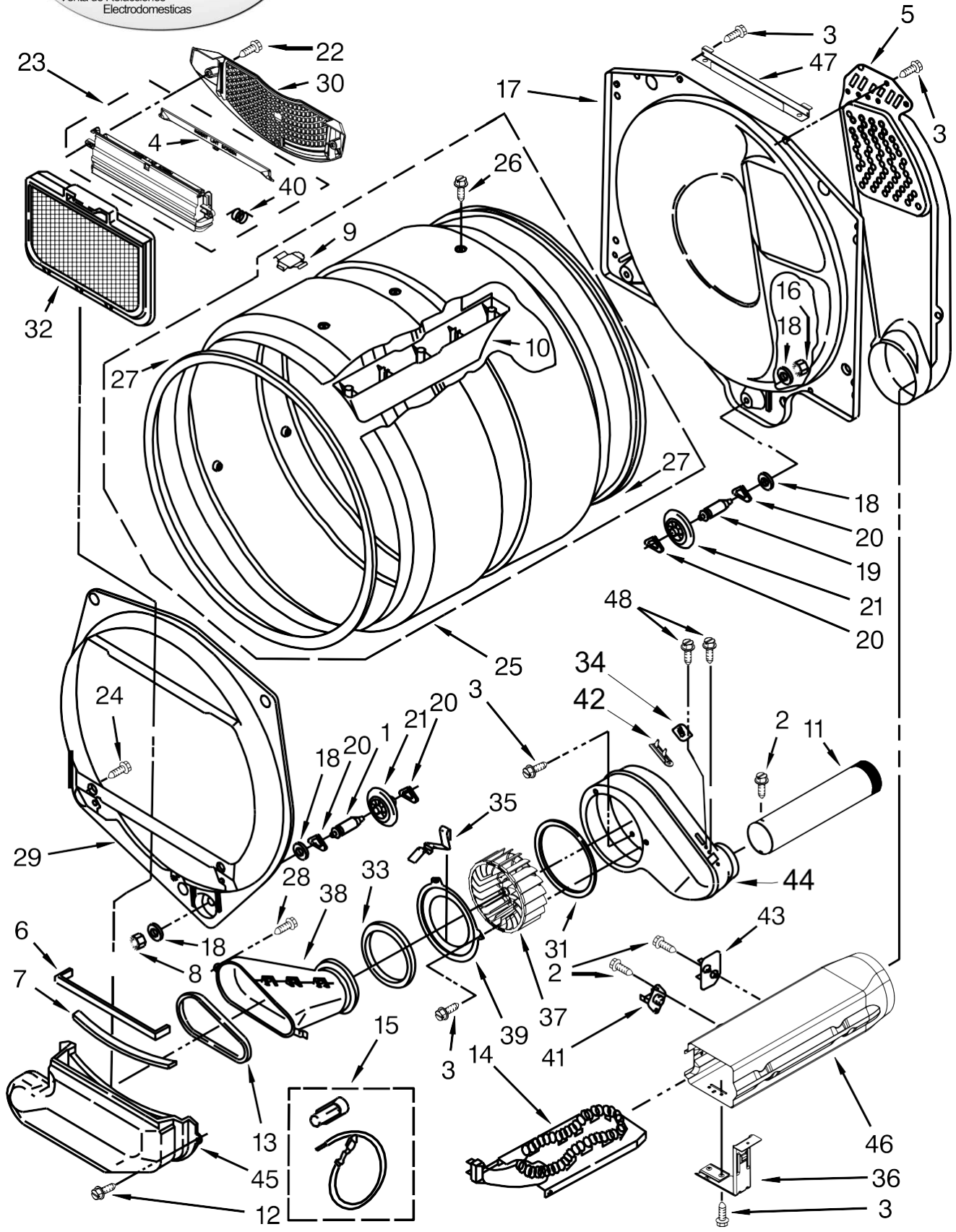
Centro de Lavado Whirlpool 7MWET3300EQ0

| <u>Illus. No.</u> | <u>Part No.</u> | <u>Description</u> |
|-------------------|-----------------|-----------------------------|
| 1 | W10121316 | Clamp, Motor Mount |
| 2 | W10396030 | Motor, Main Drive (60 Hz) |
| 3 | W10549488 | Bracket, Pressure Switch |
| 4 | W10663966 | Switch, Pressure (3 Level) |
| 5 | W10747590 | Bracket, Motor |
| 6 | 3389847 | Panel, Rear |
| 7 | 343641 | Screw |
| 8 | 697740 | Bracket, TerminalBlock |
| 9 | 8533974 | Screw |
| 10 | | Panel, Side |
| | 3389264 | White (Left Hand) |
| | 3389256 | White (Right Hand) |
| 11 | 3389420 | Screw |

| <u>Illus. No.</u> | <u>Part No.</u> | <u>Description</u> |
|-------------------|-----------------|----------------------------------------------------------------|
| 12 | 279318 | Terminal, Brass and Tinned (Includes Terminal Block Screw Kit) |
| 13 | 279393 | Screw Kit, Terminal Block |
| 14 | W10411937 | Switch, Broken Belt |
| 15 | 3389231 | Clip, Front Panel |
| 16 | 98234 | Clip, Ground |
| 17 | 3391639 | Bracket, Bulkhead |
| 18 | W10512946 | Washer, Tri Ring |
| 19 | W10121334 | Washer |
| 20 | 3387610 | Belt, Drive |
| 21 | 3391087 | Pulley, Motor (60 Hz.) |
| 22 | 3389332 | Bracket, Idler |
| 23 | 692400 | Screw Grommet |

| <u>Illus. No.</u> | <u>Part No.</u> | <u>Description</u> |
|-------------------|-----------------|--------------------------------|
| 24 | W10360901 | Base, Dryer |
| 25 | W10446781 | Spring, Idler |
| 26 | 3389683 | Cove, Transition Panel (Black) |
| 27 | 3389272 | Panel, Transition |
| 28 | W10532393 | Top, Dryer (Assembly) |
| 29 | 3390722 | Shield, Console to Drum |
| 30 | 3389682 | Spacer, ToePanel |
| 31 | 3393722 | Bracket, TerminalBlock |
| 32 | 3389431 | Bumper, Lid Stop |
| 33 | 693304 | Screw |
| 34 | 3387485 | Screw |
| 35 | 3390631 | Screw |
| 36 | W10468057 | Assembly, Pulley |

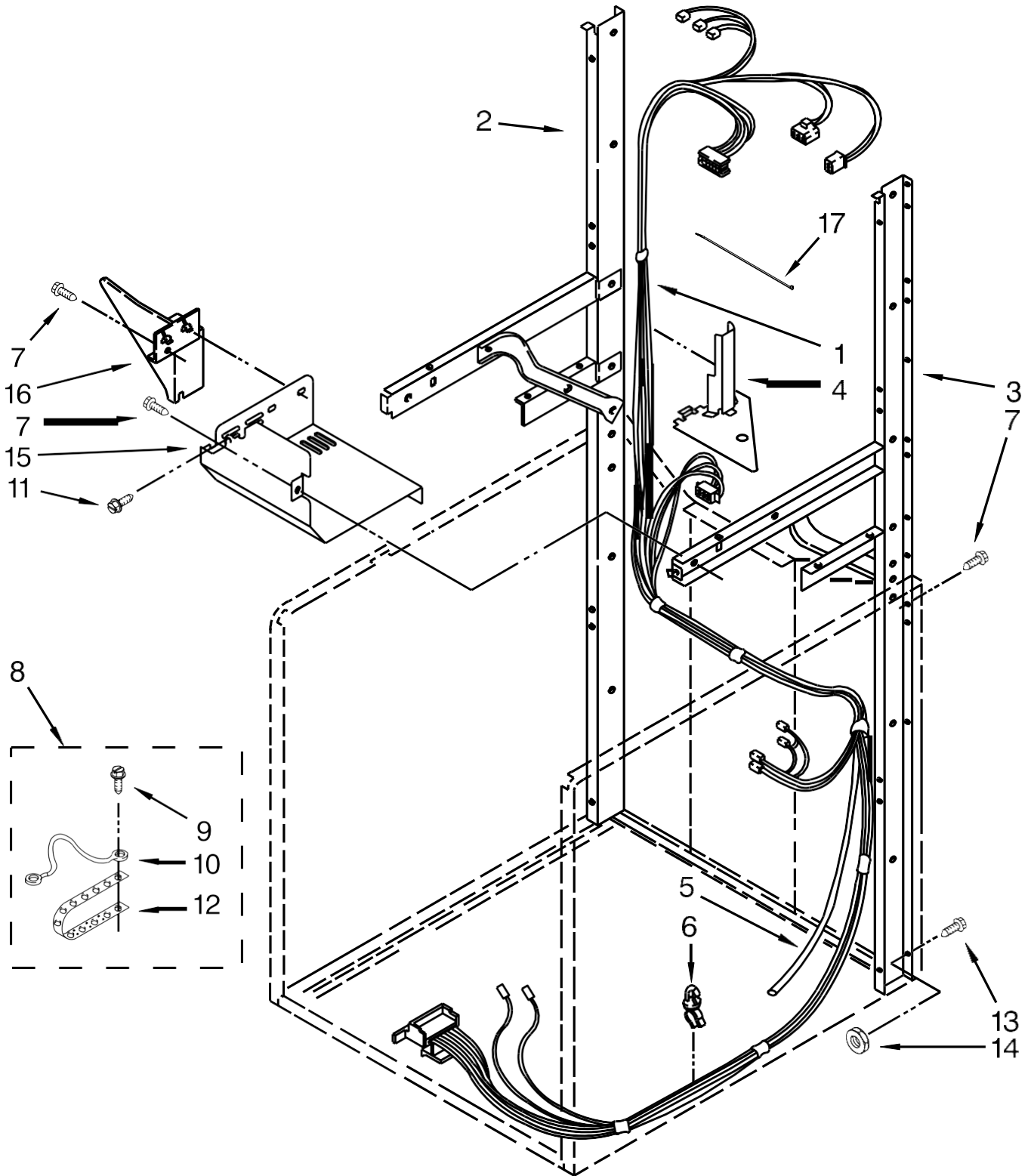
Centro de Lavado Whirlpool 7MWET3300EQ0





Centro de Lavado Whirlpool 7MWET3300EQ0

| <u>Illus.</u> <u>No.</u> | <u>Part No.</u> <u>Description</u> | <u>Illus.</u> <u>No.</u> | <u>Part No.</u> <u>Description</u> | <u>Illus.</u> <u>No.</u> | <u>Part No.</u> <u>Description</u> |
|-----------------------------|---------------------------------------------------------------------------|-----------------------------|----------------------------------------------------|-----------------------------|---------------------------------------|
| 1 | W10359271 Shaft, Drum Roller - Right Hand Thread | 17 | 3387809 Bulkhead, Rear | 35 | 3390935 Clip, Duct Locator |
| 2 | 90767 Screw | 18 | 3387459 Washer | 36 | 3389647 Bracket, Heater Box |
| 3 | 343641 Screw | 19 | W10359272 Shaft, Drum Roller - Left Hand Thread | 37 | 697772 Wheel, Blower |
| 4 | W10685668 Door, Lint Screen | 20 | W10512946 Washer, Tri Ring | 38 | 3389445 Duct, Transition |
| 5 | 697354 Assembly, Air Duct | 21 | W10314171 Roller, Support | 39 | 697366 Cover Plate, Blower |
| 6 | 697813 Seal, Outlet Housing | 22 | 3357011 Screw | 40 | 3394986 Spring, Lint Screen Door |
| 7 | 3391906 Seal, Lint Duct | 23 | W10685669 Assembly, Outlet Housing | 41 | 3390291 Thermostat |
| 8 | 3934666 Nut, Hex | 24 | 695240 Screw | 42 | 3392519 Fuse, Thermal (91C) |
| 9 | 8066086 Plug, Drum Hole | 25 | W10518375 Assembly, Drum | 43 | 3977394 Thermal Cut-Off |
| 10 | 3389449 Baffle, Drum | 26 | W10219342 Screw | 44 | 8544362 Housing, Blower |
| 11 | 8563748 Pipe, Exhaust | 27 | W10495828 Seal, Drum Front | 45 | 3388909 Lint Duct Assembly |
| 12 | 3390647 Screw | 28 | 3387230 Screw | 46 | W10608822 Box, Heater |
| 13 | 3391685 Seal, Transition Duct to Lint Duct | 29 | 697557 Bulkhead, Front | 47 | 8571651 Bracket, Bulkhead Mounting |
| 14 | 3387749 Element, Heater | 30 | 8299979 Grille, Outlet | 48 | 693995 Screw |
| 15 | 279457 Terminal Wire Kit (For Heater Element Wiring Harness Repair) | 31 | 697770 Seal, Plate Cover | | |
| 16 | W10001120 Nut, Hex (Left Hand Thread) | 32 | 3389644 Screen, Lint | | |
| | | 33 | 8566209 Seal, Transition Duct | | |
| | | 34 | 3387134 Thermostat | | |



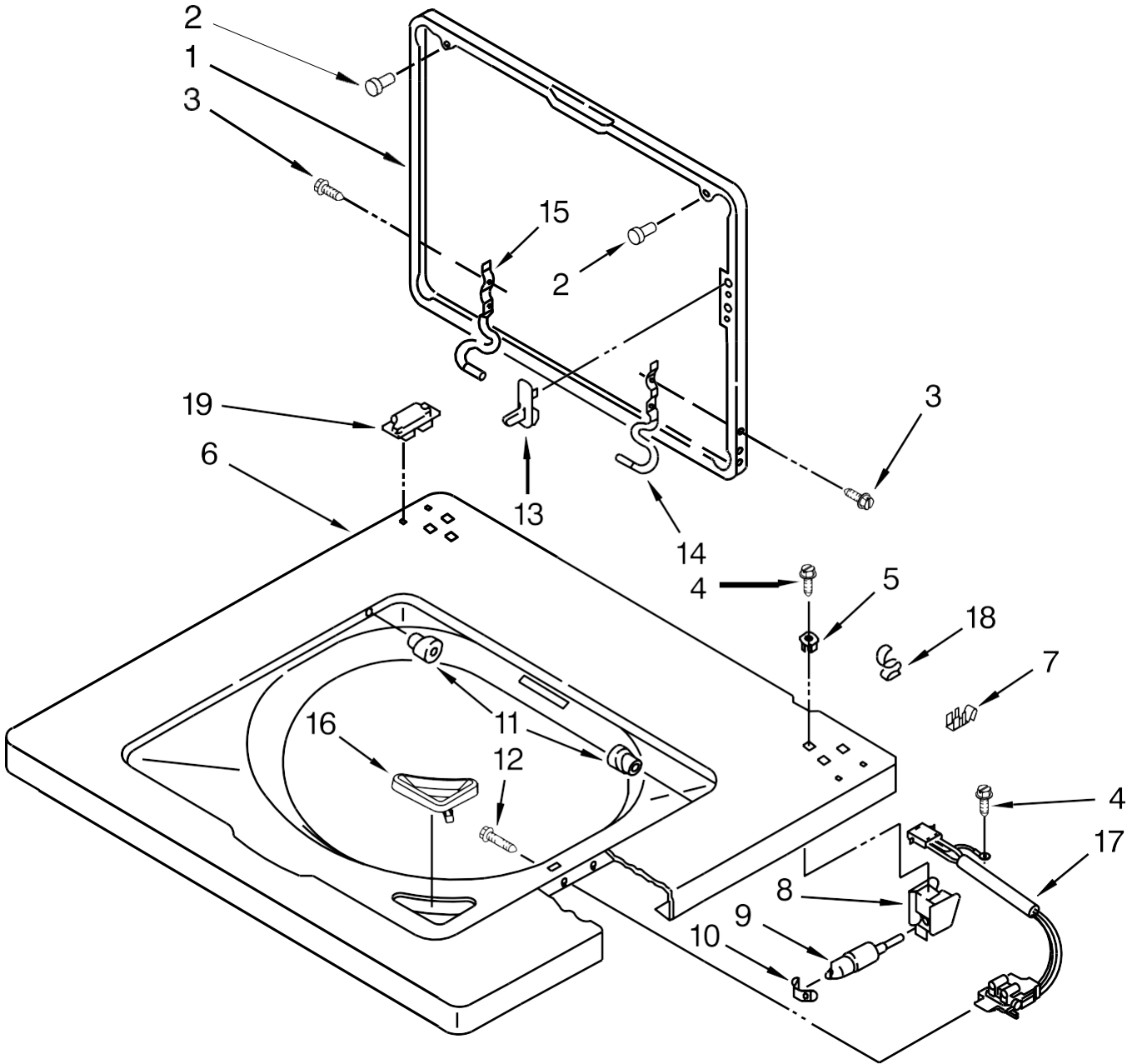


Centro de Lavado Whirlpool 7MWET3300EQ0

| <u>Illus. No.</u> | <u>Part No.</u> | <u>Description</u> |
|-------------------|-----------------|---------------------------|
| 1 | W10545604 | Harness, Washer |
| 2 | 3388851 | Assembly, Channel (Left) |
| 3 | 3388850 | Assembly, Channel (Right) |
| 4 | 3390609 | Shield, Harness |
| 5 | W10564195 | Hose, Pressure Switch |

| <u>Illus. No.</u> | <u>Part No.</u> | <u>Description</u> |
|-------------------|-----------------|--------------------|
| 6 | W10210799 | Clip, Harness |
| 7 | 343641 | Screw |
| 8 | 685463 | Kit, Grounding |
| 9 | 8533971 | Screw |
| 10 | 685449 | Wire |
| 11 | 3393008 | Screw |

| <u>Illus. No.</u> | <u>Part No.</u> | <u>Description</u> |
|-------------------|-----------------|--------------------|
| 12 | 22965 | Strap, Grounding |
| 13 | 3400300 | Bolt |
| 14 | 8533952 | Nut, Hex |
| 15 | 3394350 | Shield, Front |
| 16 | W10513339 | Shield, Thermostat |
| 17 | W10334336 | Tie, Cable |





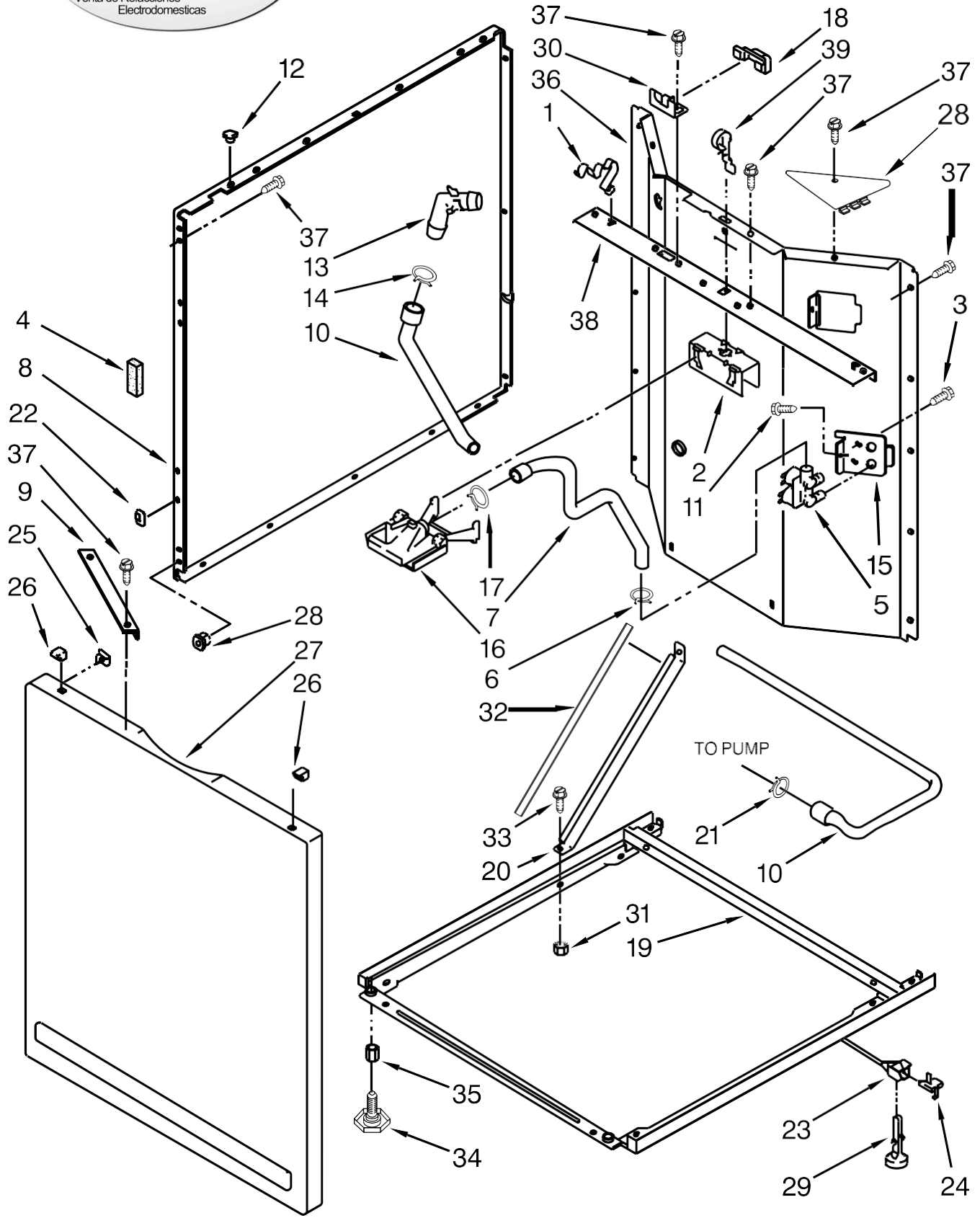
Centro de Lavado Whirlpool 7MWET3300EQ0

| <u>Illus. No.</u> | <u>Part No.</u> | <u>Description</u> |
|-------------------|-----------------|--------------------|
| 1 | W10173243 | Lid |
| 2 | 9724509 | Bumper, Lid |
| 3 | W10119872 | Screw |
| 4 | 343641 | Screw |
| 5 | 692400 | Screw Grommet |
| 6 | 3349817 | Top, Console |
| 7 | W10113937 | Clip, Grounding |

| <u>Illus. No.</u> | <u>Part No.</u> | <u>Description</u> |
|-------------------|-----------------|-------------------------|
| 8 | 3354020 | Bracket, Mounting |
| 9 | 3350152 | Retainer, Lid Assembly |
| 10 | 3350828 | Clip, Cylinder Retainer |
| 11 | 21258 | Bearing, Lid Hinge |
| 12 | 3356311 | Screw and Washer |
| 13 | 358684 | Strike, Lid Switch |

| <u>Illus. No.</u> | <u>Part No.</u> | <u>Description</u> |
|-------------------|-----------------|--------------------|
| 14 | 3350101 | Hinge (RH) |
| 15 | 3350102 | Hinge (LH) |
| 16 | 3362952 | Dispenser, Bleach |
| 17 | 3355458 | Switch, Lid |
| 18 | 90016 | Clip, Harness |
| 19 | W10134768 | Locator, Top |

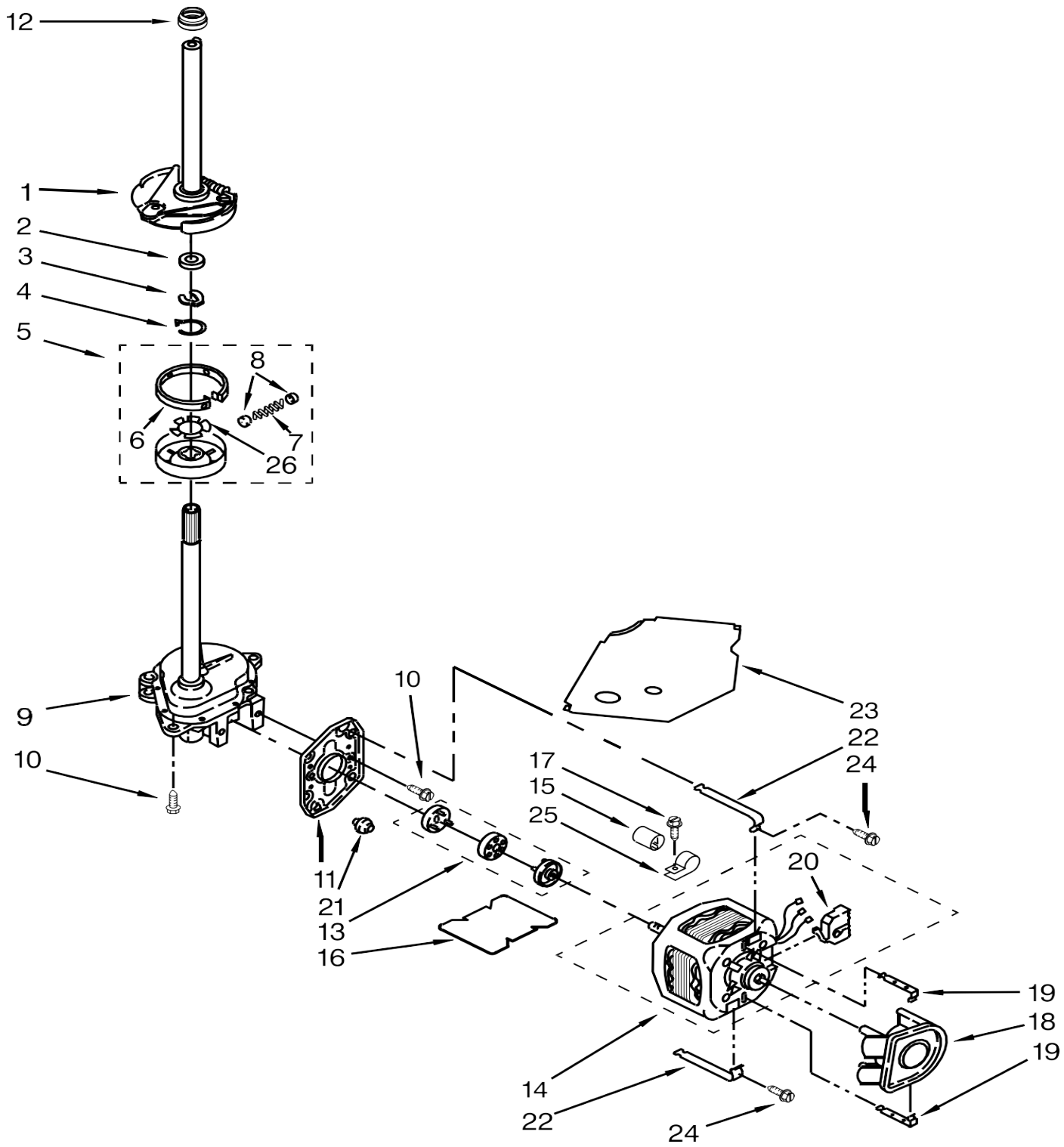
Centro de Lavado Whirlpool 7MWET3300EQ





Centro de Lavado Whirlpool 7MWET3300EQ0

| <u>Illus.</u> <u>No.</u> | <u>Part No.</u> <u>Description</u> | <u>Illus.</u> <u>No.</u> | <u>Part No.</u> <u>Description</u> | <u>Illus.</u> <u>No.</u> | <u>Part No.</u> <u>Description</u> |
|-----------------------------|--------------------------------------------------------------|-----------------------------|------------------------------------|-----------------------------|------------------------------------|
| 1 | 3349770 Clip, Spring Top | 14 | 356138 Clamp, Hose | 28 | 3390608 Shield, Corner Right Rear |
| 2 | 3349768 Bracket, Vacuum | 15 | 3349673 Bracket, Valve | 29 | 358594 Foot, Rear |
| 3 | 62863 Screw | 16 | 387606 Break, Vacuum | 30 | 3350144 Bracket, Lid Switch |
| 4 | 3350013 Foam | 17 | 371503 Clamp, Hose | 31 | 8533952 Nut, Hex |
| 5 | 3979349 Valve, Water Mixing | 18 | 3350145 Shield, Lid Switch | 32 | 303294 Protector, Edge |
| 6 | 370451 Clamp, Hose | 19 | 3402724 Base, Cabinet | 33 | 3400300 Bolt |
| 7 | 8521954 Hose, Sensor (Vacuum Break to Mixing Valve) | 20 | 3388857 Bracket, Base | 34 | 389102 Foot, Front |
| 8 | 3349455 Panel, Side (Same Panel Used On Left And Right Side) | 21 | 371507 Clamp, Hose | 35 | 3400917 Nut, Hex |
| 9 | 3350745 Brace, Front Panel | 22 | W10775448 Clip, Front Panel | 36 | 3349493 Panel, Rear |
| 10 | 3353841 Hose, Drain | 23 | 3349311 Link, Leveling | 37 | 343641 Screw |
| 11 | 9740848 Screw | 24 | 359364 Clip, Leveling Mechanism | 38 | 3349697 Rail, Back Top |
| 12 | 660975 Plug | 25 | 98234 Clip, Ground | 39 | 3350135 Spring, Lever Bracket |
| 13 | 8557915 Connector, Hose | 26 | 345670 Lock Top | | |
| | | 27 | 3349499 Panel, Front | | |





Centro de Lavado Whirlpool 7MWET3300EQ0

Illus.
No.

| <u>No.</u> | <u>Part No.</u> | <u>Description</u> |
|-------------------|------------------------|-------------------------------|
| 1 | 388951 | Brake & Drive Tube (Complete) |
| 2 | 63292 | Washer, Spin Tube Thrust |
| 3 | 62697 | Ring, Spin Tube Support |
| 4 | 63283 | Ring, Retaining |
| 5 | 3951311 | Clutch (Complete) |
| 6 | 3951308 | Band and Lining Assembly |
| 7 | 3946792 | Spring & Damper Assembly |
| 8 | 62646 | Cap, Clutch Spring |
| 9 | 8532118 | Gearcase (Complete) |

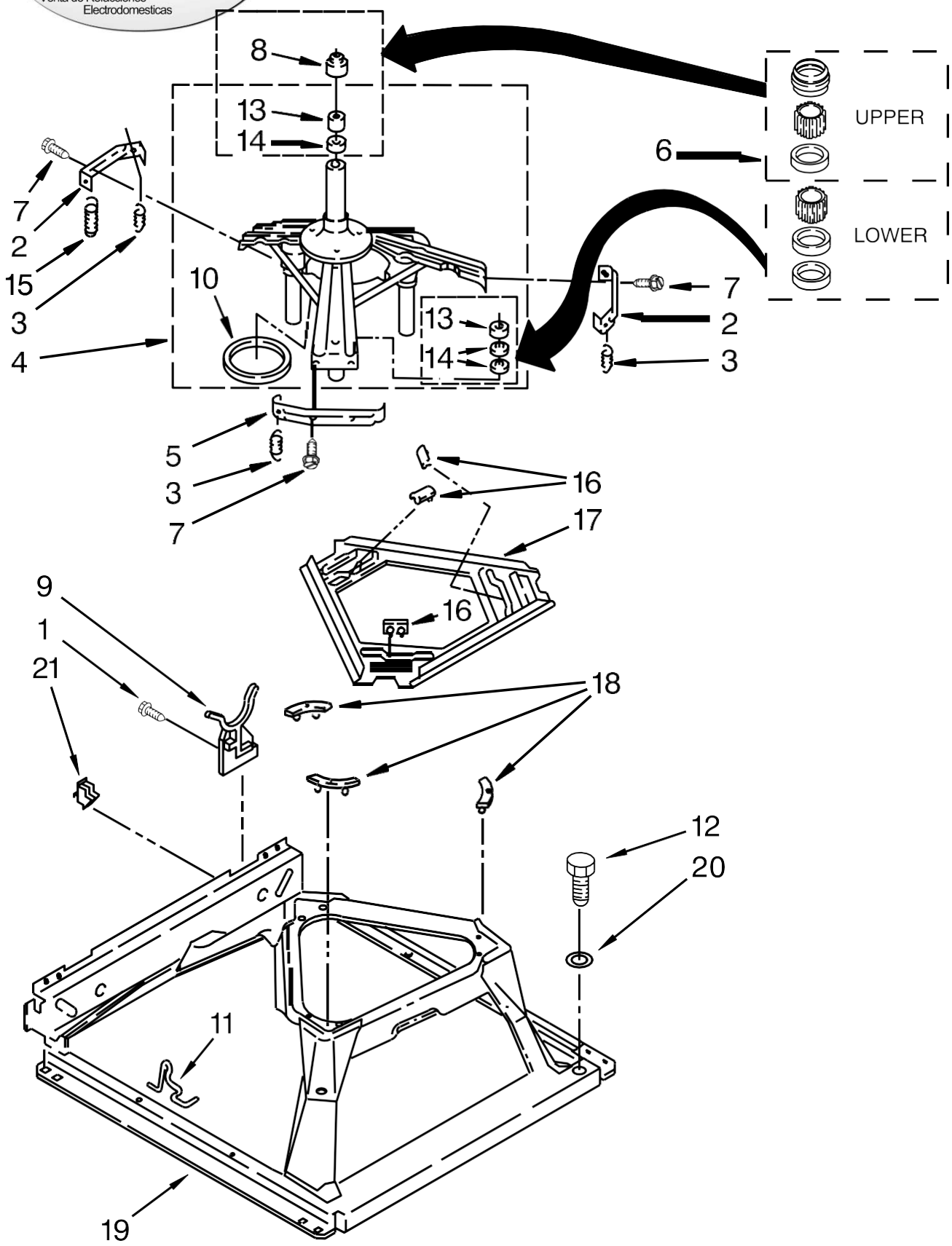
Illus.
No.

| <u>No.</u> | <u>Part No.</u> | <u>Description</u> |
|-------------------|------------------------|--------------------------------|
| 10 | 3357334 | Screw |
| 11 | 62611 | Plate, Motor Mount To Gearcase |
| 12 | 8577374 | Seal, Centerpost |
| 13 | 3364003 | Coupling, Motor And Isolation |
| 14 | 661600 | Motor, 2-Speed |
| 15 | 8572717 | Capacitor, Motor Start |
| 16 | 8316060 | Shield, Motor |
| 17 | 62863 | Screw |
| 18 | 3363892 | Pump, Complete |
| 19 | 8546127 | Retainer, Pump |
| 20 | 62850 | Switch, Main Drive Motor |

Illus.

| <u>No.</u> | <u>Part No.</u> | <u>Description</u> |
|-------------------|------------------------|---------------------------|
| 21 | 62691 | Grommet, Motor |
| 22 | W10086010 | Retainer, Motor |
| 23 | 3362089 | Shield, Tub To Motor |
| 24 | 3387485 | Screw |
| 25 | 3949496 | Clip, Capacitor |
| 26 | 3355454 | Clip, Anti-Rattle |

Centro de Lavado Whirlpool 7MWET3300EQ0

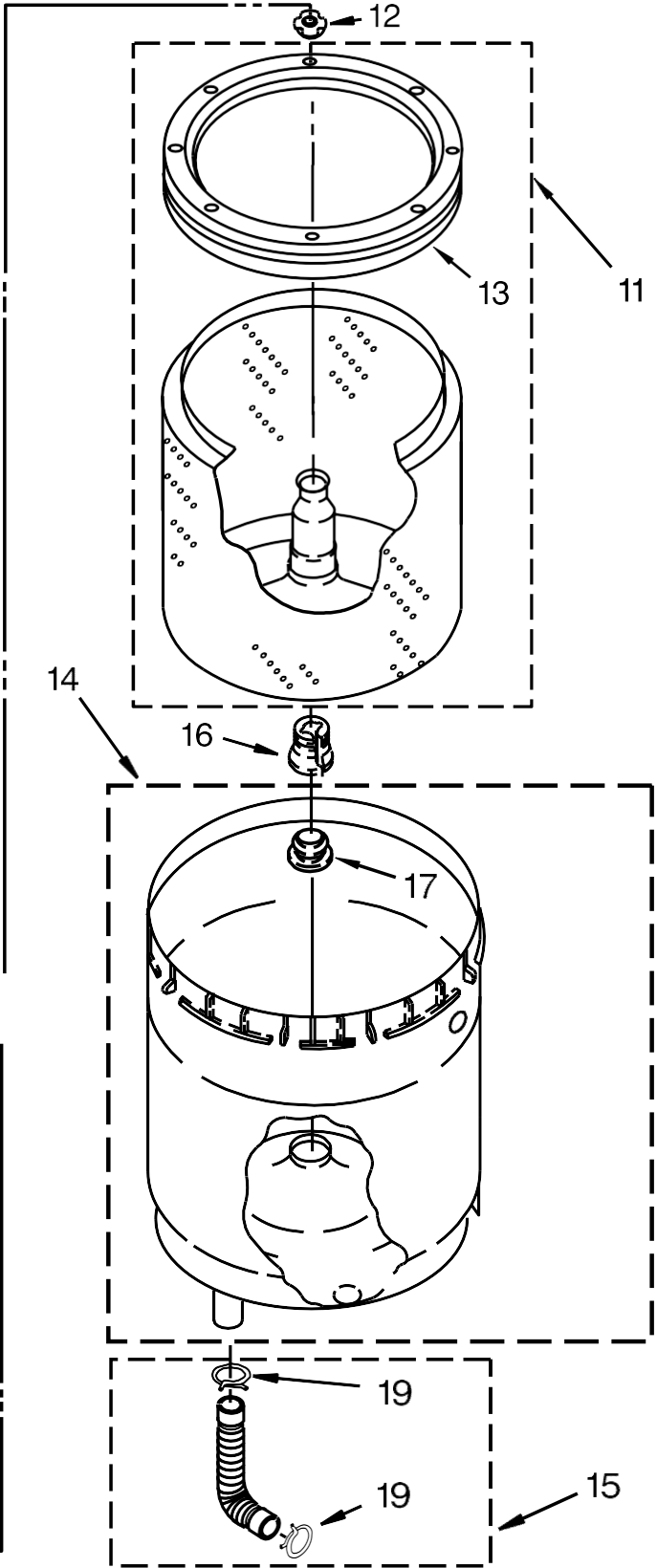
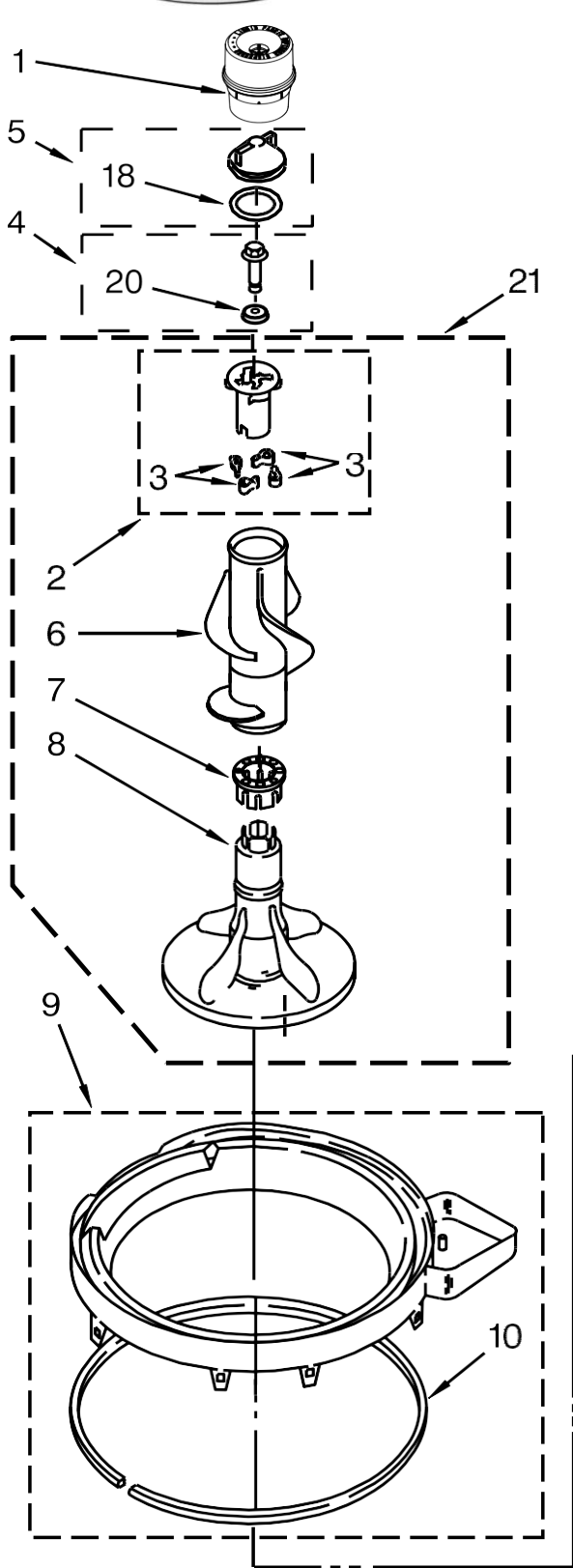




Centro de Lavado Whirlpool 7MWET3300EQ0

| <u>Illus.</u> <u>No.</u> | <u>Part No.</u> <u>Description</u> | <u>Illus.</u> <u>No.</u> | <u>Part No.</u> <u>Description</u> | <u>Illus.</u> <u>No.</u> | <u>Part No.</u> <u>Description</u> |
|-----------------------------|------------------------------------------|-----------------------------|------------------------------------------------------------------------------|-----------------------------|------------------------------------|
| 1 | 343641 Screw | 9 | 3350506 Retainer, Hose | 16 | 62568 Pad, Plate |
| 2 | 64067 Bracket, Spring Outer | 10 | 63134 Ring, SoundDeadening | 17 | 3946509 Plate, Suspension |
| 3 | 63907 Spring, Suspension | 11 | W10145155 Retainer, Suspension Spring | 18 | 3363660 Pad, Base |
| 4 | 8575214 Support & Break, Tub | 12 | 3400501 Screw, Shoulder | 19 | 3349343 Base Assembly |
| 5 | 64065 Bracket, Spring Outer (Left Front) | 13 | 8546455 Bearing, Centerpost | 20 | 3349340 Washer |
| 6 | 285203 Bearing | 14 | 357409 Seal, Shaft | 21 | 3349749 Restrainer, Base |
| 7 | 3400076 Screw | 15 | W10250667 Spring, Counterweight (Must be Ordered When Replacing Drive Motor) | | |
| 8 | 8577376 Seal, Centerpost | | | | |

Centro de Lavado Whirlpool 7MWET3300EQ0



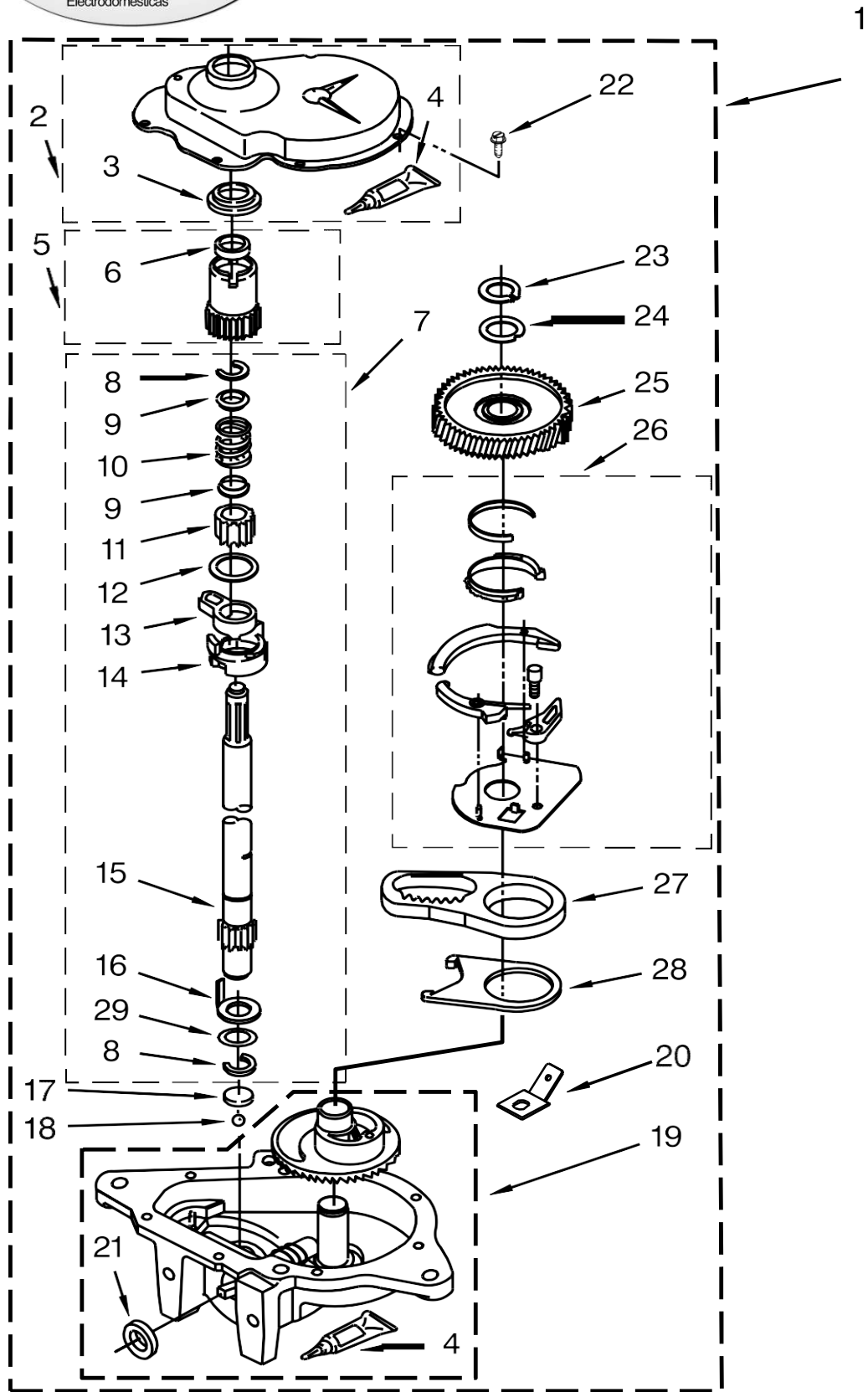


Centro de Lavado Whirlpool 7MWET3300EQ0

| <u>Illus. No.</u> | <u>Part No.</u> | <u>Description</u> |
|-------------------|-----------------|----------------------|
| 1 | W10834472 | Dispenser Assembly |
| 2 | 3947410 | Cam, Agitator |
| 3 | 3366877 | Dog, Agitator Clutch |
| 4 | 358237 | Screw and Washer |
| 5 | 387094 | Cap, Barrier |
| 6 | 3349610 | Mover, Clothes |
| 7 | 3351014 | Spacer, Thrust |

| <u>Illus. No.</u> | <u>Part No.</u> | <u>Description</u> |
|-------------------|-----------------|---------------------------------------|
| 8 | 3349098 | Agitator |
| 9 | W10388299 | Tub Ring |
| 10 | 3976308 | Seal, Tub Ring |
| 11 | 3352234 | Basket |
| 12 | 21366 | Nut, Spanner |
| 13 | 387240 | Ring, Balance |
| 14 | 3349292 | Tub |
| 15 | 3951449 | Hose, Tub to Pump (Includes Clamp) |

| <u>Illus. No.</u> | <u>Part No.</u> | <u>Description</u> |
|-------------------|-----------------|---------------------|
| 16 | 389140 | Block, Basket Drive |
| 17 | 383727 | Gasket, Centerpost |
| 18 | W10072840 | Seal, Inner Cap |
| 19 | 3363366 | Clamp, Hose |
| 20 | 3949550 | Washer |
| 21 | W10429138 | Agitator (Complete) |





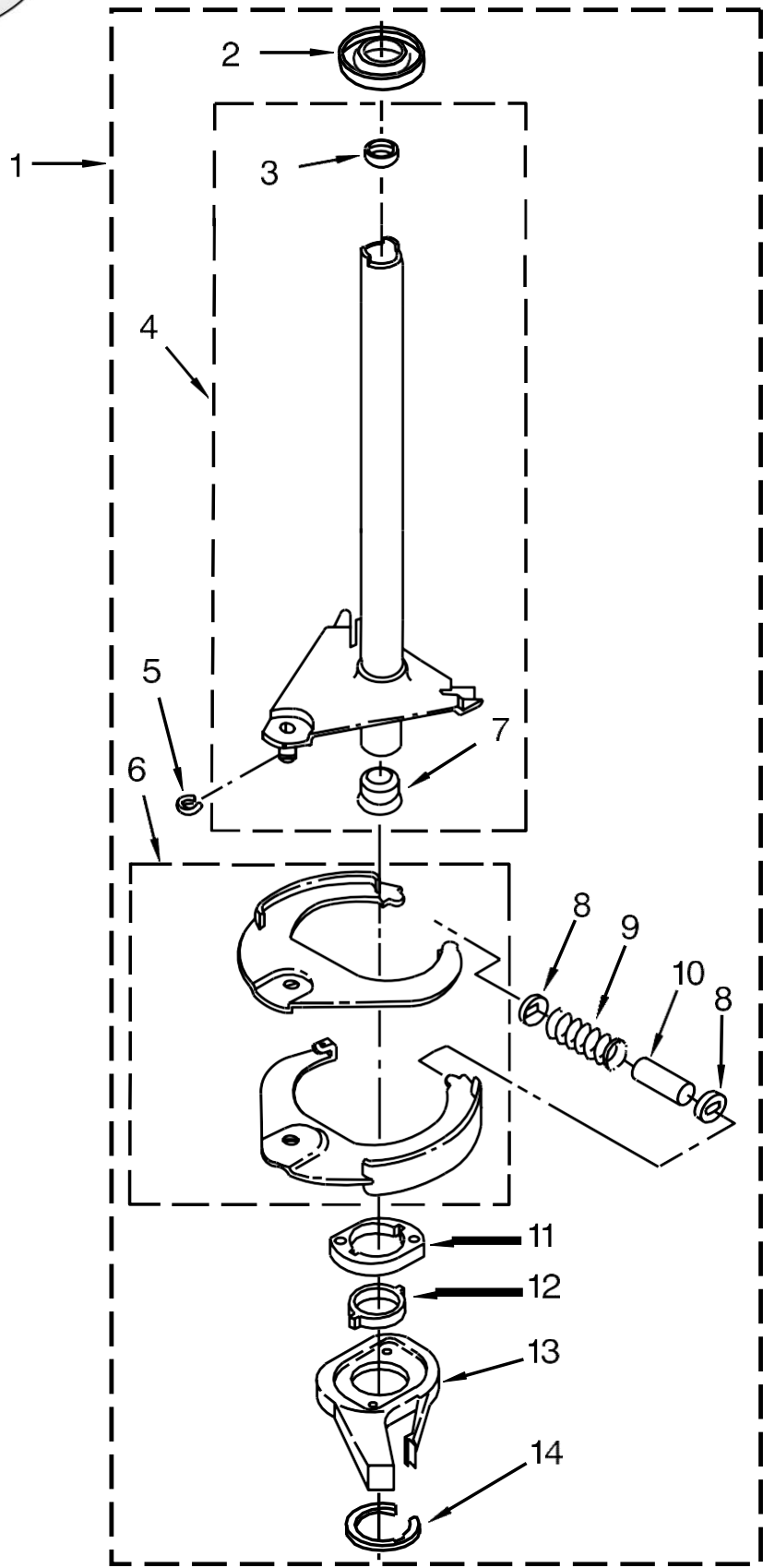
Centro de Lavado Whirlpool 7MWET3300EQO

| <u>Illus. No.</u> | <u>Part No. Description</u> |
|-------------------|-------------------------------------------|
| 1 | 8532118 Gearcase (Complete) |
| 2 | 62685 Cover, Gearcase |
| 3 | 3349985 Seal, Gearcase Cover |
| 4 | 285195 Sealer, Gasket (.20 Fl. Oz.) (6ml) |
| 5 | 63320 Pinion, Spin |
| 6 | 356427 Seal, Drive Tube |
| 7 | 389387 Shaft, Agitator |
| 8 | 90369 Ring, Retaining |
| 9 | 62677 Retainer, Spring |
| 10 | 62676 Spring, Agitator |

| <u>Illus. No.</u> | <u>Part No. Description</u> |
|-------------------|-------------------------------------|
| 11 | W10110245 Gear, Agitate |
| 12 | 62619 Washer, Agitator Gear |
| 13 | 62580 Follower, Cam |
| 14 | 3976349 Cam, Agitate |
| 15 | 389231 Shaft, Agitator |
| 16 | 62618 Washer, Cam Thrust |
| 17 | 16018 Bearing, Agitator Thrust |
| 18 | 85529 Ball, Bearing |
| 19 | 3947635 Bottom and Pinion, Gearcase |
| 20 | 3949116 Terminal, Grounding Tab |

| <u>Illus. No.</u> | <u>Part No. Description</u> |
|-------------------|-----------------------------|
| 21 | W10111745 Seal, Thrust Plug |
| 22 | 3351614 Screw |
| 23 | 63283 Ring, Retaining |
| 24 | 8546458 Washer, Thrust |
| 25 | W10233582 Gear, Spin |
| 26 | 3948433 Neutral Assembly |
| 27 | 8546456 Rack, Connecting |
| 28 | 62621 Actuator, Shift |
| 29 | 388815 Washer, Intermediate |

Centro de Lavado Whirlpool 7MWET3300EQ0



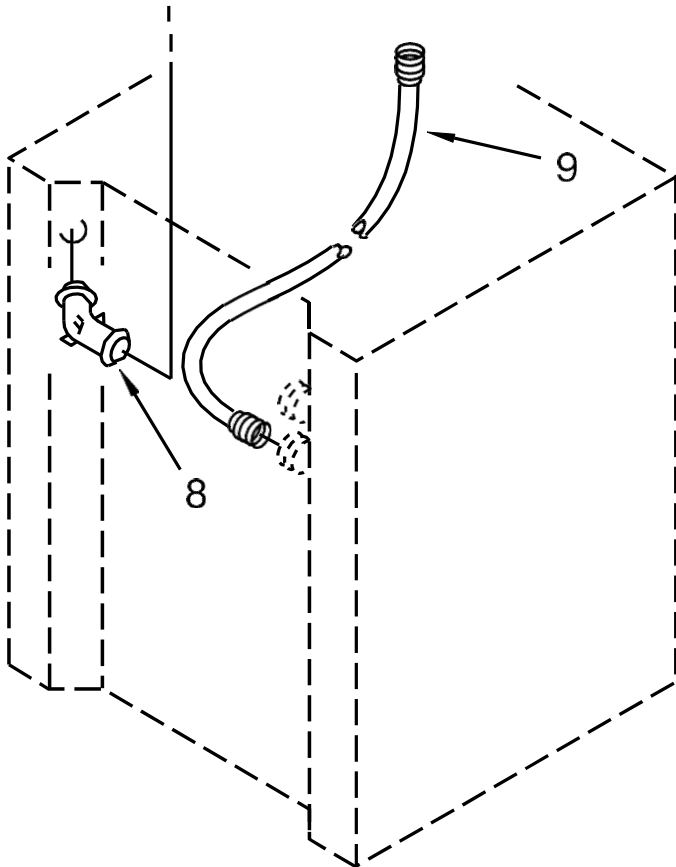
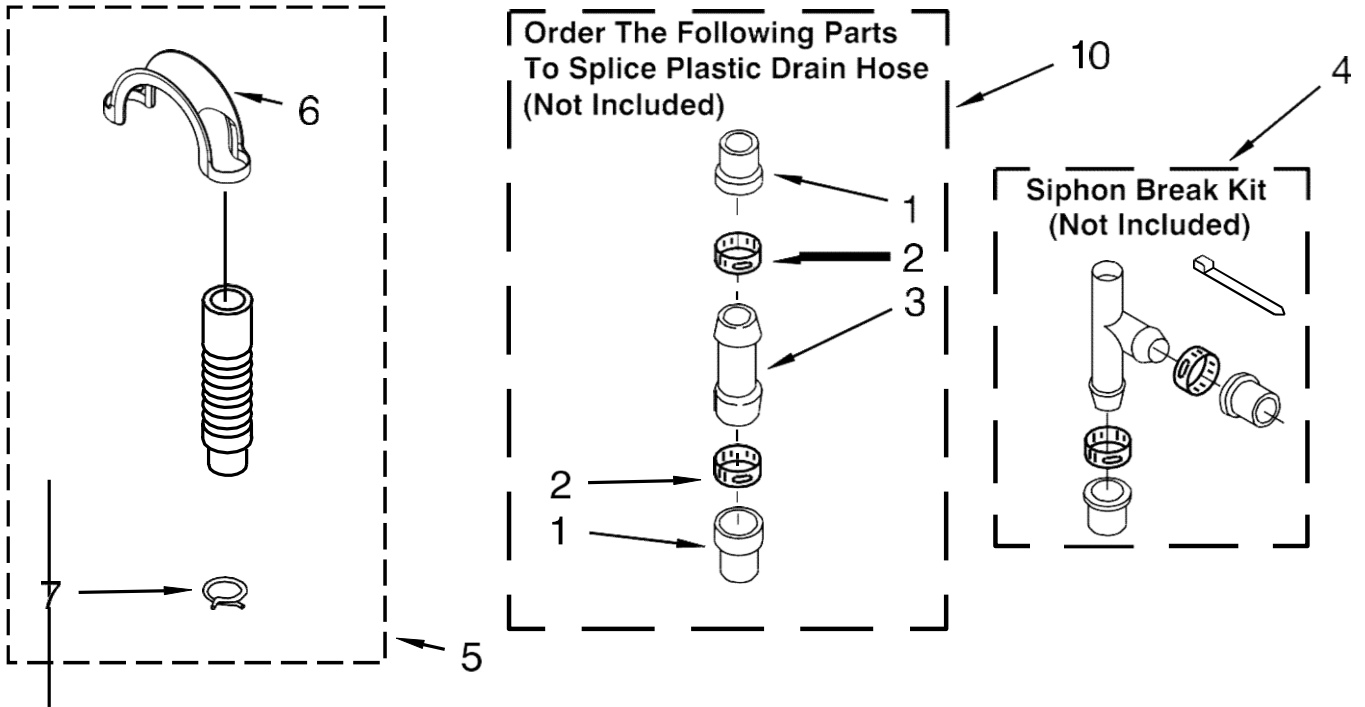


Centro de Lavado Whirlpool 7MWET3300EQ0

| <u>Illus. No.</u> | <u>Part No.</u> | <u>Description</u> |
|-------------------|-----------------|-------------------------------|
| 1 | 388951 | Brake & Drive Tube (Complete) |
| 2 | 62658 | Ring, Thrust |
| 3 | 356427 | Seal, Drive Tube |
| 4 | 64027 | Tube, Basket Drive |
| 5 | 64035 | Ring, "E" |
| 6 | 64232 | Shoe, Brake |

| <u>Illus. No.</u> | <u>Part No.</u> | <u>Description</u> |
|-------------------|-----------------|----------------------|
| 7 | 8546462 | T Bearing, Spin Tube |
| 8 | 3353956 | Cap, Brake Spring |
| 9 | 62647 | Spring, Brake |
| 10 | 3355360 | Sleeve, Brake Spring |
| 11 | 8546461 | Cam, Brake Release |
| 12 | 63022 | Sleeve, Cam |

| <u>Illus. No.</u> | <u>Part No.</u> | <u>Description</u> |
|-------------------|-----------------|---------------------------------------------------------------|
| 13 | 64194 | Driver, Brake Cam |
| 14 | 90368 | Ring, Retaining (Parts Not Shown) |
| | 285208 | Lubricant (Use Only in Brake Shoe Assembly On Roller and Pin) |





Centro de Lavado Whirlpool 7MWET3300EQ0

| <u>Illus. No.</u> | <u>Part No.</u> | <u>Description</u> |
|-------------------|-----------------|----------------------------------|
| 1 | 285321 | Sleeve Kit, (Contains 2 Sleeves) |
| 2 | 65349 | Clamp, Hose |
| 3 | 16272 | Connector, Straight |
| 4 | 285320 | Siphon Break Kit |

| <u>Illus. No.</u> | <u>Part No.</u> | <u>Description</u> |
|-------------------|-----------------|----------------------------------------------|
| 5 | 661575 | Drain Hose Assembly (Parts Not Shown) |
| | W10108350 | Hose, Corrugated Plastic Drain (6 1/2 Ft) |
| | 661577 | Hose, Corrugated Plastic Drain (10 Ft) |

| <u>Illus. No.</u> | <u>Part No.</u> | <u>Description</u> |
|-------------------|-----------------|--------------------------------------|
| 6 | 8577378 | U-Bend, Drain Hose |
| 7 | 3357331 | Clamp, Hose |
| 8 | 8557915 | Connector, Hose |
| 9 | 3354858 | Hose, Inlet |
| 10 | 285442 | Connector Kit, Plastic Drain Hose |

OPTIONAL PARTS (NOT INCLUDED)

PAINT, TOUCH-UP (1/2OZ.)

| <u>Illus.</u> <u>No.</u> | <u>Part No.</u> | <u>Description</u> |
|-----------------------------|-----------------|--------------------|
| | 72017 | White |

PAINT, BULK (1 QT.)

| <u>Illus.</u> <u>No.</u> | <u>Part No.</u> | <u>Description</u> |
|-----------------------------|-----------------|--------------------|
| | 799344 | White (Uncut) |

SEALER

| <u>Illus.</u> <u>No.</u> | <u>Part No.</u> | <u>Description</u> |
|-----------------------------|-----------------|------------------------------------|
| | 285195 | Sealer, Gasket (.20 Fl. Oz.) (6ml) |

PAINT, PRESSURIZED SPRAY (12 OZ.)

| <u>Illus.</u> <u>No.</u> | <u>Part No.</u> | <u>Description</u> |
|-----------------------------|-----------------|--------------------|
| | 350938 | Gray Primer |
| | 350930 | White |

OIL

| <u>Illus.</u> <u>No.</u> | <u>Part No.</u> | <u>Description</u> |
|-----------------------------|-----------------|--------------------|
| | 350572 | Oil, Gearcase |

ACCESSORIES

| <u>Illus.</u> <u>No.</u> | <u>Part No.</u> | <u>Description</u> |
|-----------------------------|-----------------|--------------------|
| | 3391335 | Kit, Side Exhaust |

LUBRICANT

| <u>Illus.</u> <u>No.</u> | <u>Part No.</u> | <u>Description</u> |
|-----------------------------|-----------------|---------------------------------------------------------------|
| | 285208 | Lubricant (Use Only in Brake Shoe Assembly On Roller and Pin) |