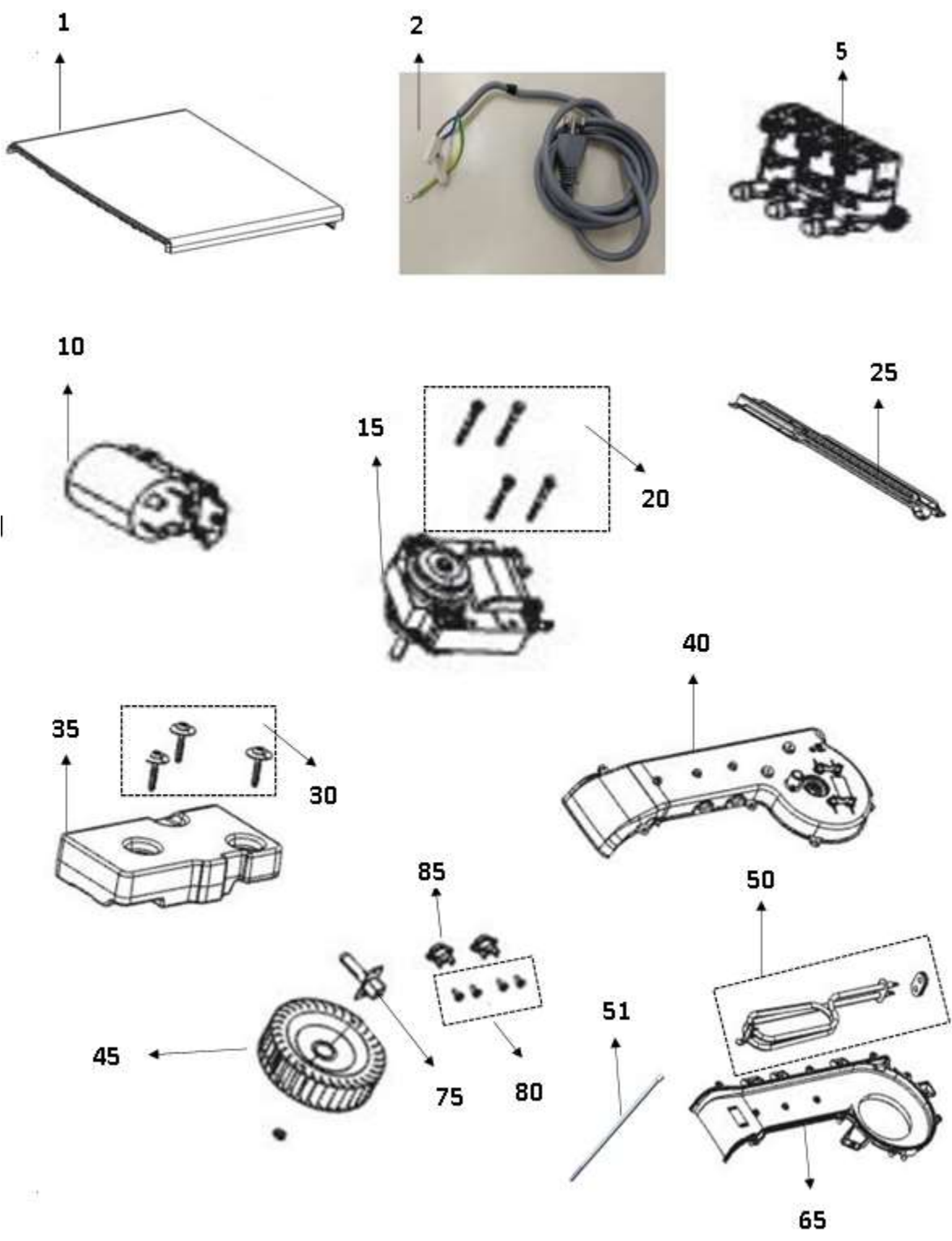




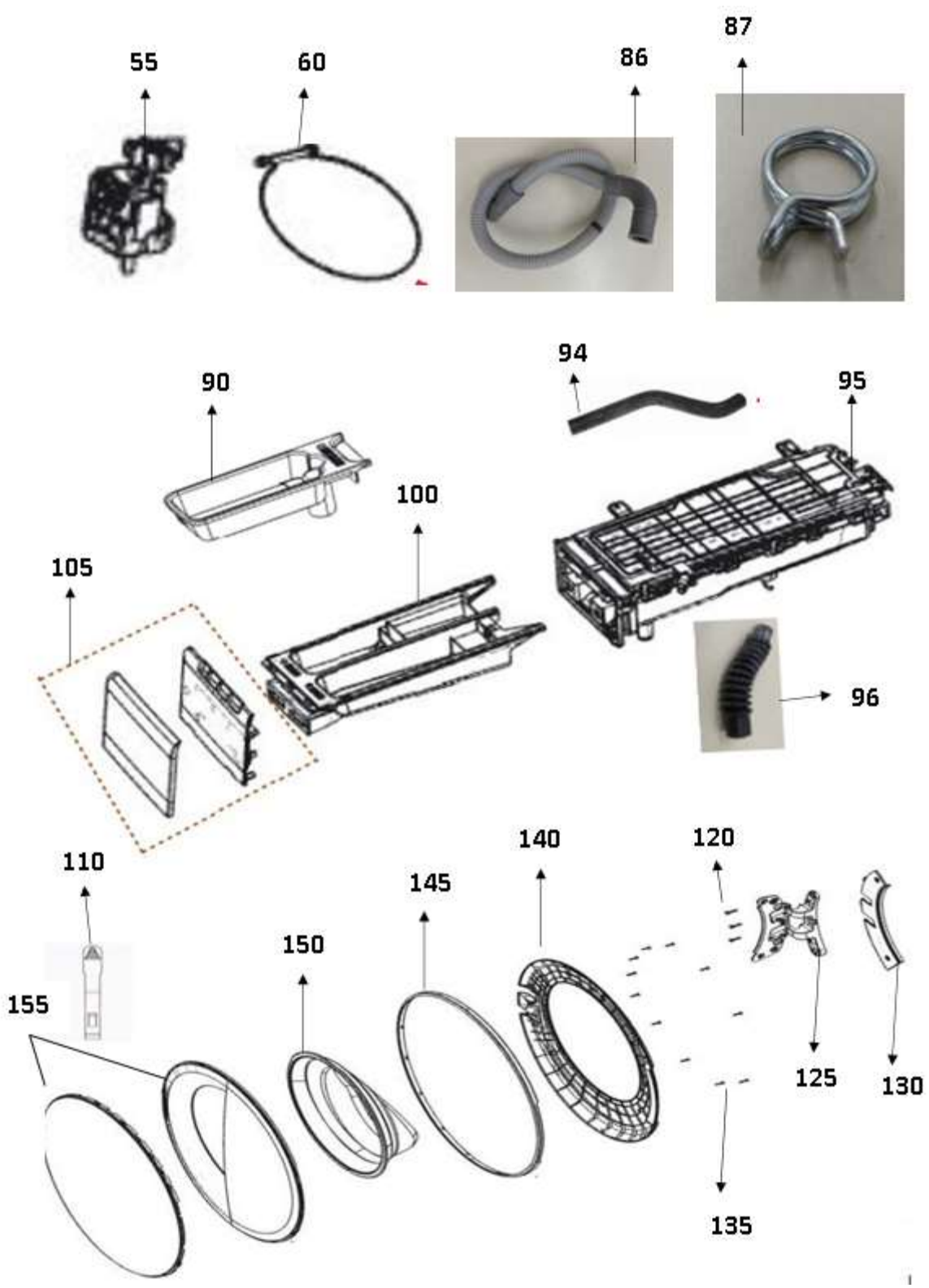
# LAVA-SECADORA 7MWFC5090KC0



BENITO JUÁREZ #1500 GPE ZITON, CD. GUADALUPE NUEVO LEÓN TEL: 8183377999 Y 49  
HORARIOS: LUNES A VIERNES 8:30 A 6:00 PM Y SÁBADOS DE 8:30 A 2:00 PM  
WEB: [www.denek.com](http://www.denek.com)



# LAVA-SECADORA 7MWFC5090KC0



BENITO JUÁREZ #1500 GPE ZITON, CD. GUADALUPE NUEVO LEÓN TEL: 8183377999 Y 49  
HORARIOS: LUNES A VIERNES 8:30 A 6:00 PM Y SÁBADOS DE 8:30 A 2:00 PM  
WEB: [www.denek.com](http://www.denek.com)

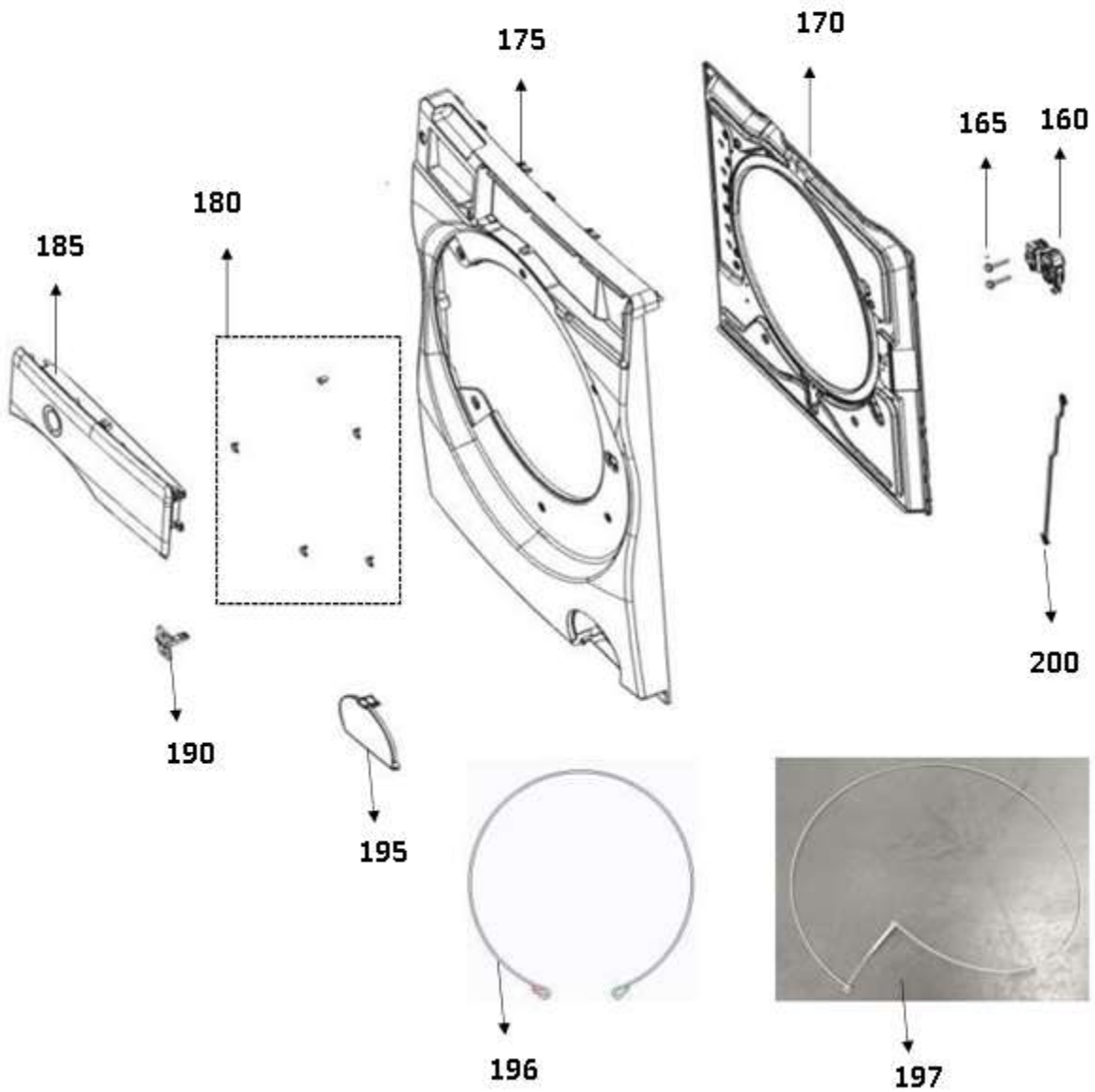


# LAVA-SECADORA 7MWFC5090KC0

156



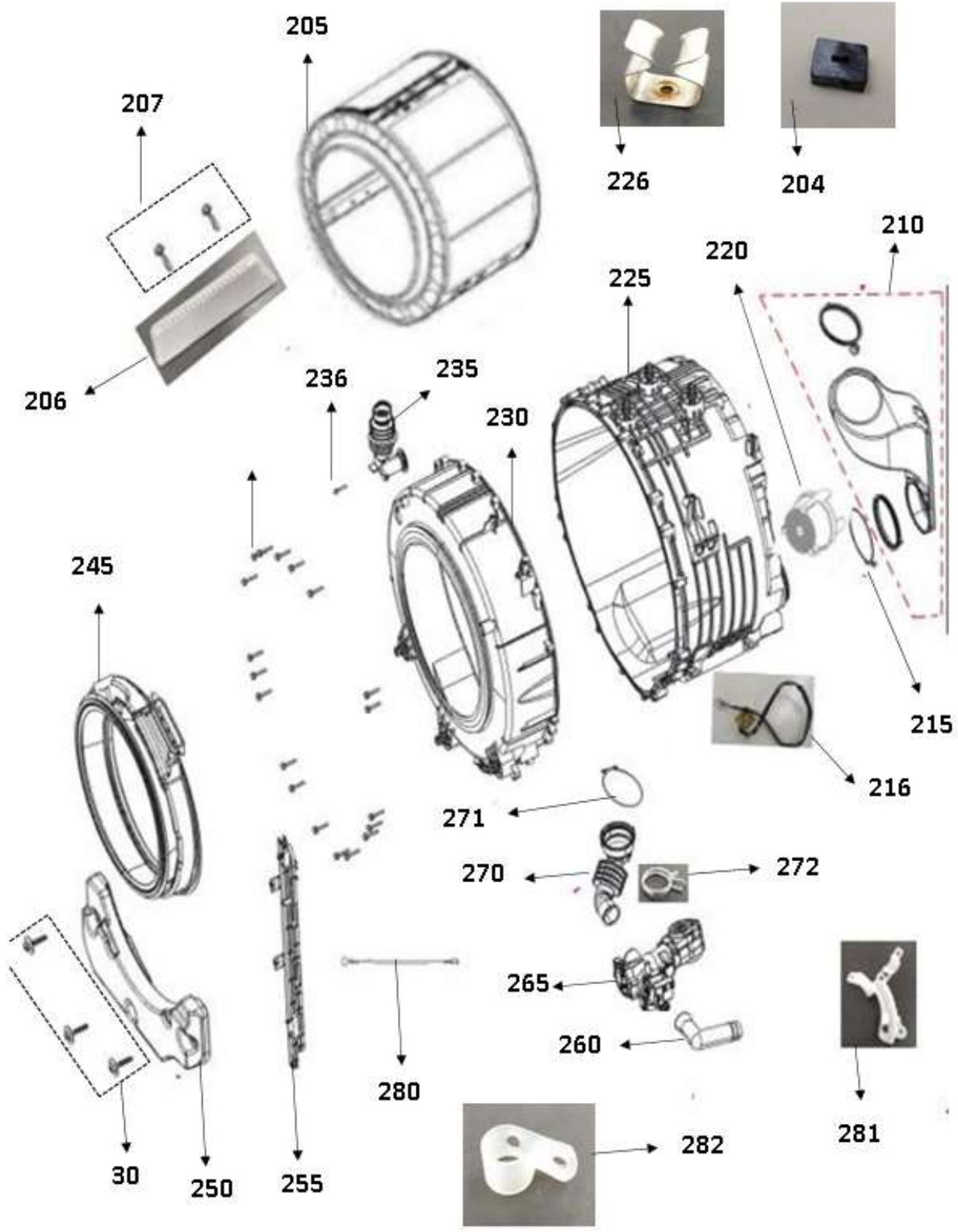
171



BENITO JUÁREZ #1500 GPE ZITON, CD. GUADALUPE NUEVO LEÓN TEL: 8183377999 Y 49  
HORARIOS: LUNES A VIERNES 8:30 A 6:00 PM Y SÁBADOS DE 8:30 A 2:00 PM  
WEB: [www.denek.com](http://www.denek.com)



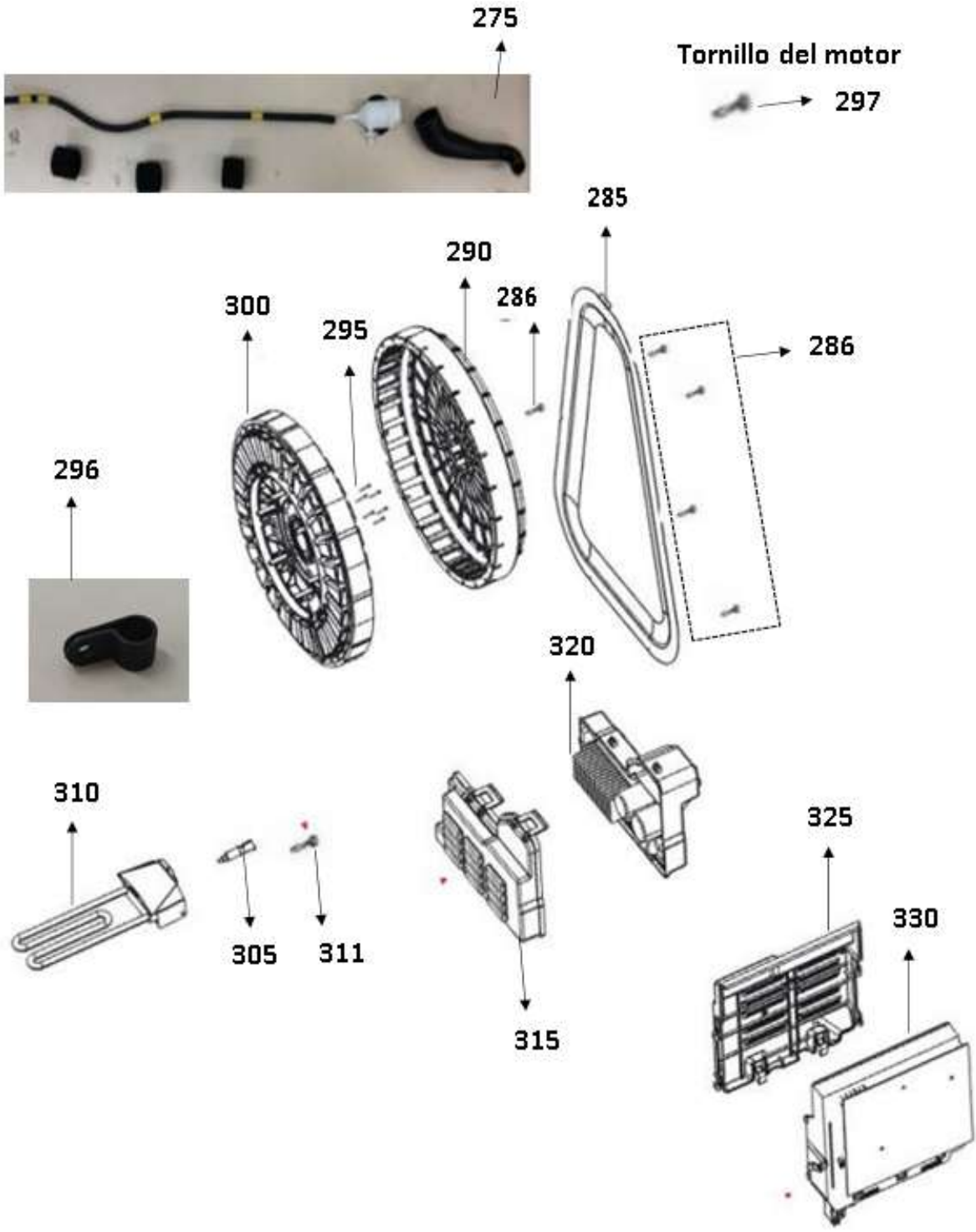
# LAVA-SECADORA 7MWFC5090KC0



BENITO JUÁREZ #1500 GPE ZITON, CD. GUADALUPE NUEVO LEÓN TEL: 8183377999 Y 49  
 HORARIOS: LUNES A VIERNES 8:30 A 6:00 PM Y SÁBADOS DE 8:30 A 2:00 PM  
 WEB: www.denek.com

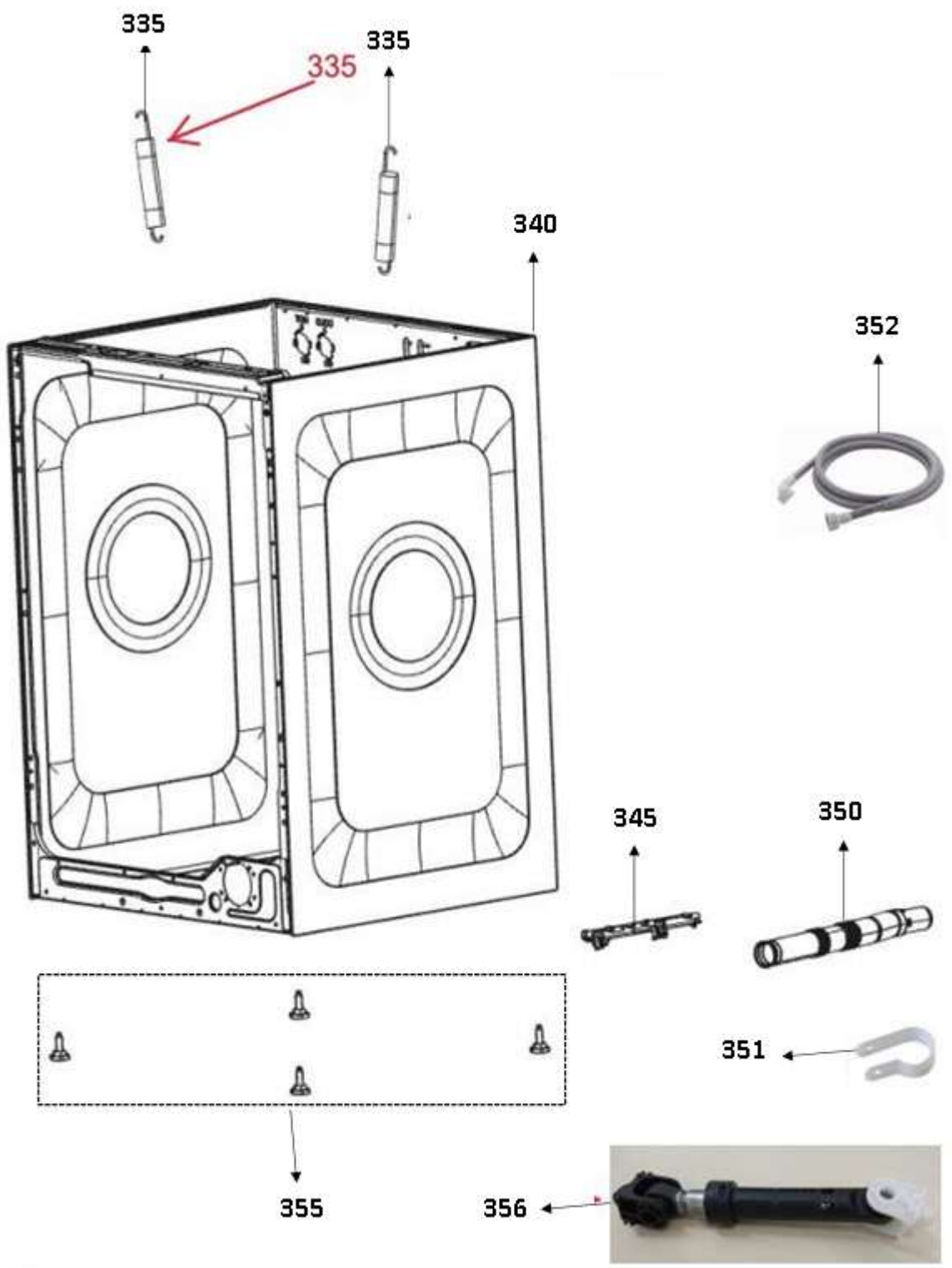


# LAVA-SECADORA 7MWFC5090KC0





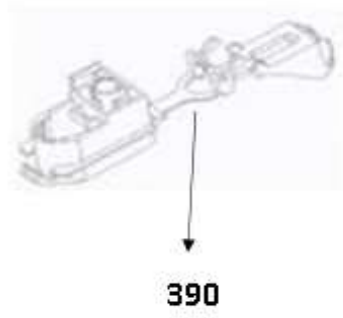
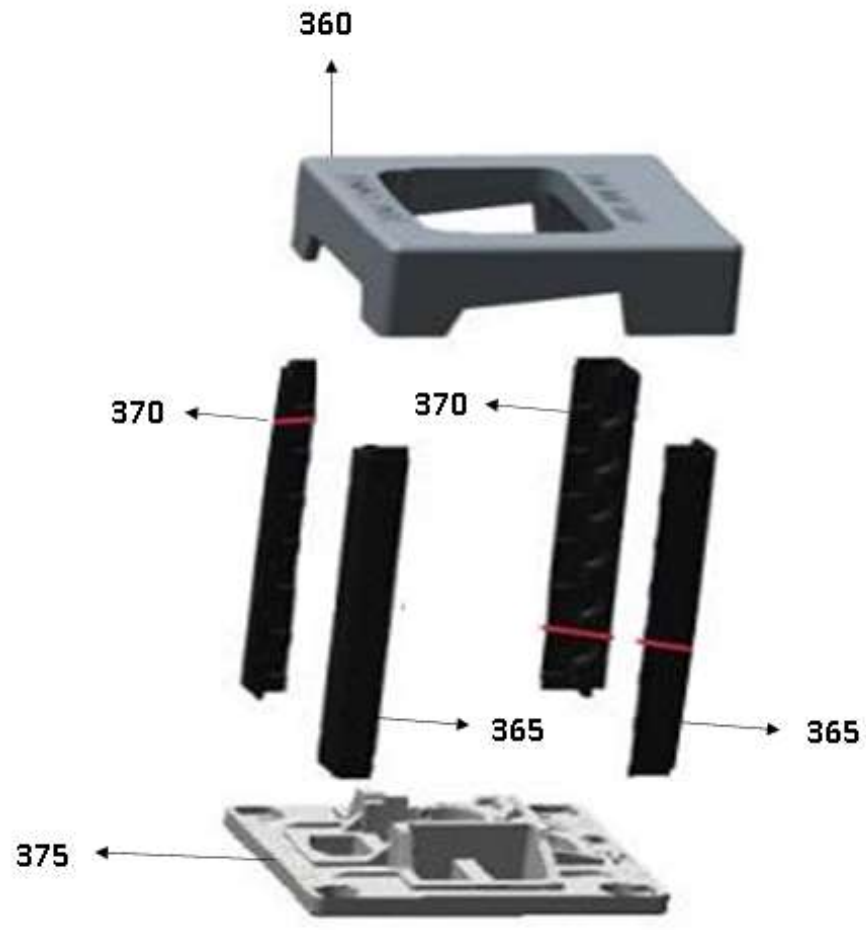
# LAVA-SECADORA 7MWFC5090KC0



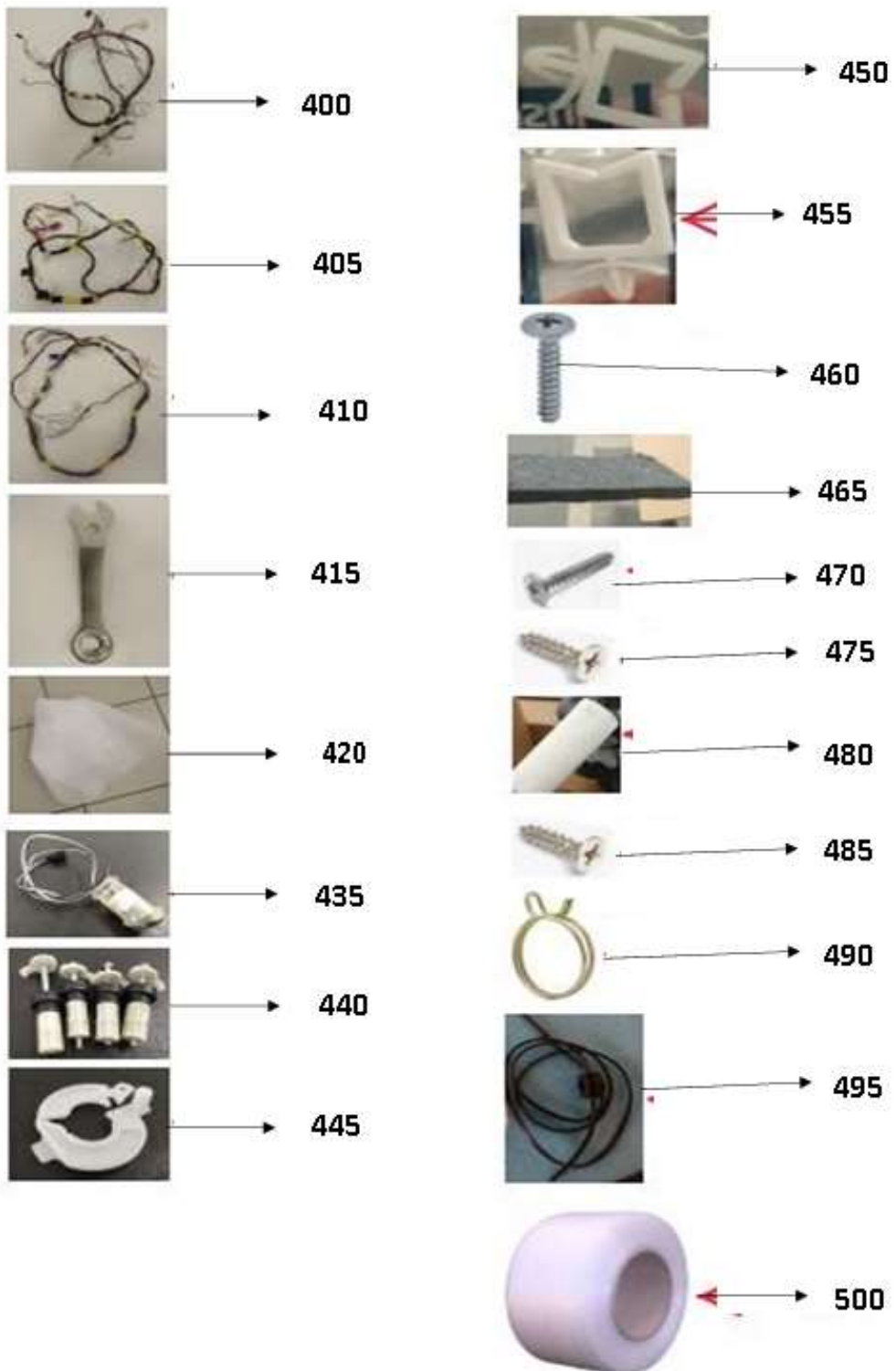
BENITO JUÁREZ #1500 GPE ZITON, CD. GUADALUPE NUEVO LEÓN TEL: 8183377999 Y 49  
HORARIOS: LUNES A VIERNES 8:30 A 6:00 PM Y SÁBADOS DE 8:30 A 2:00 PM  
WEB: [www.denek.com](http://www.denek.com)



# LAVA-SECADORA 7MWFC5090KC0



BENITO JUÁREZ #1500 GPE ZITON, CD. GUADALUPE NUEVO LEÓN TEL: 8183377999 Y 49  
HORARIOS: LUNES A VIERNES 8:30 A 6:00 PM Y SÁBADOS DE 8:30 A 2:00 PM  
WEB: [www.denek.com](http://www.denek.com)







# LAVA-SECADORA 7MWFC5090KCO

Número de parte	Descripción	No. de referencia
301G16A008089	Superior White cover	1
301G80A013267	POWER CORD	2
301G80A013266	Valve Water Inlet 127V	5
70C72A0002322	Line filter 127V	10
301G80A008104	Motor Fan 127V	15
301G80A008118	Motor Fan 220V	15
301G99A000441	Screw Motor Fan	20
301G111400022	Superior Office bar	25
301G99A004641	Screw weighing against	30
301G221500028	Against weighing	35
301G421100007	Top Drying Unit	40
301G809000031	Fan	45
301G80A008103	Drying Resistance 127V -C	50
301G412000053	Clamp Rubber Door Unit. Drying	51
301G801600003	Pressure switch	55
301G322100030	Fixing Strength drying duct -C	60
301G421100008	Base Drying Unit	65
301G802400014	Drying temperature sensor NTC	75
T3PN306R0SD	Thermal limiter screw	80
301G809000064	Thermal limiter	85
301G322100028	Mang Syst, Drying	86
301G991600011	Clamp Mang Syst, Drying	87
301G311800003	Dispenser Lid	90
301G322100045	Hose Dispenser	94
301G31A002331	Dispenser housing	95
301G322100014	Straight Hose Dispenser Tank	96
301G311500012	Soap container	100
301G31A008109	White Dispenser Drawer Handle	105
301G311700011	Dispenser drawer lock	110
4322920102140	Screw door hinge	120
301G152200003	Door Hinge	125
301G16A008088	Hood Hinge White	130
301G99A000201	Screw internal door frame	135
301G151200014	Inner door frame	140
301G151400049	Chrome frame door	145



# LAVA-SECADORA 7MWFC5090KCO

Número de parte	Descripción	No. de referencia
301G15A002594	inner door glass	150
301G151300028	external door glass	155
3012334012140	Clamp Mang, Dispenser Tan	156
301G80A008101	Lock port 127V	160
301G802600013	Lock port 220V	160
STATN40120SE-	Door Lock Screw	165
301G111400020	Metallic Front plate	170
301G16A001418	Front Panel Gray	175
301G18A013270	Cj Interface Card and Gray Console	185
301G152000008	door latch	190
301G16A008087	White Button Hunt Tampa	195
301G991700011	Internal Spring Rubber Door	196
301G221100031	External spring Port Rubber	197
301G153000028	Rod Lock Opening Manual	200
301G22A004440	Support hose Pressure	204
301G241100011	cj Basket	205
301G241300009	Fin Basket	206
ST1TN40160UK-	Flip bolt Basket	207
301G421500004	Syst duct, Drying	210
301G322100029	Fixing Tank drying duct -C	215
301G80A001929	Imbalance sensor -C	216
301G112600047	Syst filter, drying	220
301G221200037	Rear tank -C	225
301G222900001	Support Resistance Dry	226
301G22A000603	Front tank	230
301G321100010	Hose Dispenser Tank Curve	235
301G99A001915	Screw Mang, Dispenser Tank	236
301G991000035	Screw Tank	240
301G15A008123	Door rubber	245
301G221500025	Against the front weight	250
301G322100025	channel Side	255
3012324924140	Elbow, drain hose	260
301G80A008100	127V electric pump -C	265
301G321600007	Tank electric pump hose	270



# LAVA-SECADORA 7MWFC5090KCO

Número de parte	Descripción	No. de referencia
301G991600009	Fixing -C Mang tank electropump	271
301G991600010	Hose clamp tank electric pump	272
301G80A008113	Earth wire Tank	280
301G22A001454	Mang support, Sist, drying	281
3012152508140	Support Mang, Sist, drying	282
301G11A004081	Rear Cabinet White cover	285
3010421902140	Screw Motor Cover	286
301G99A007338	Screw Rear Cover Office	287
200D22A000086	Engine Cover	290
301G991000025	screw Motor	295
ST1TN40140SE-	Support Harness Engine	296
4322892102140	Screw Harness Engine	297
200D11A000081	cj Motor	300
3010855213140	Wash Temperature sensor NTC	305
301G80A008102	Resistance Dry 127V	310
ST1TN40100UK	Screw Resistance Dry	311
301G80A006398	Engine board cover	315
70C01378	Plate Motor 127V	320
301G16A008136	Cover Control Board	325
70C04171	Control board 127V	330
301G991700012	Retaining spring -C	335
301G11A008085	cabinet Gray	340
301G14A006898	Lower channel	345
3010325111140	Drain Hose	350
3012334033140	Dren hose clamp.	351
301B322300004	Water Inlet Hose	352
301G14A002672	Leveling Foot -C	355
301G221900006	damper	356
301G900006903	Carton support	365
301G900006904	Carton support	370
301G322100049	power cable support	390
301G80A008106	Front network	400
301G80A008105	lower network	405
301G80A008098	Valve harness	410
301G90A001426	Key for Installation	415



# LAVA-SECADORA 7MWFC5090KC0

Número de parte	Descripción	No. de referencia
3016320S01140	Protection film	420
301G11A000507	Lamp support	430
301G809000024	Lamp	435
301G99A005207	Cj Transport screw	440
3012324921140	Support mang output, dren, office	445
3012152503140	clip narrow	450
3012152521140	Clip off	455
301G99A002105	Screw power cord	460
301G90A000514	Pad Control Board	465
STATN40100SE-	the Channel Side Screw	475
301G41A001932	Network Protection Lock Door	480
3012334020140	Hose clamp Dispenser	490
301G411000038	Sealing Drying Unit	495
PF0214	Tape	500
301G31A013268	Dispenser 127V -C	Not Illustrated