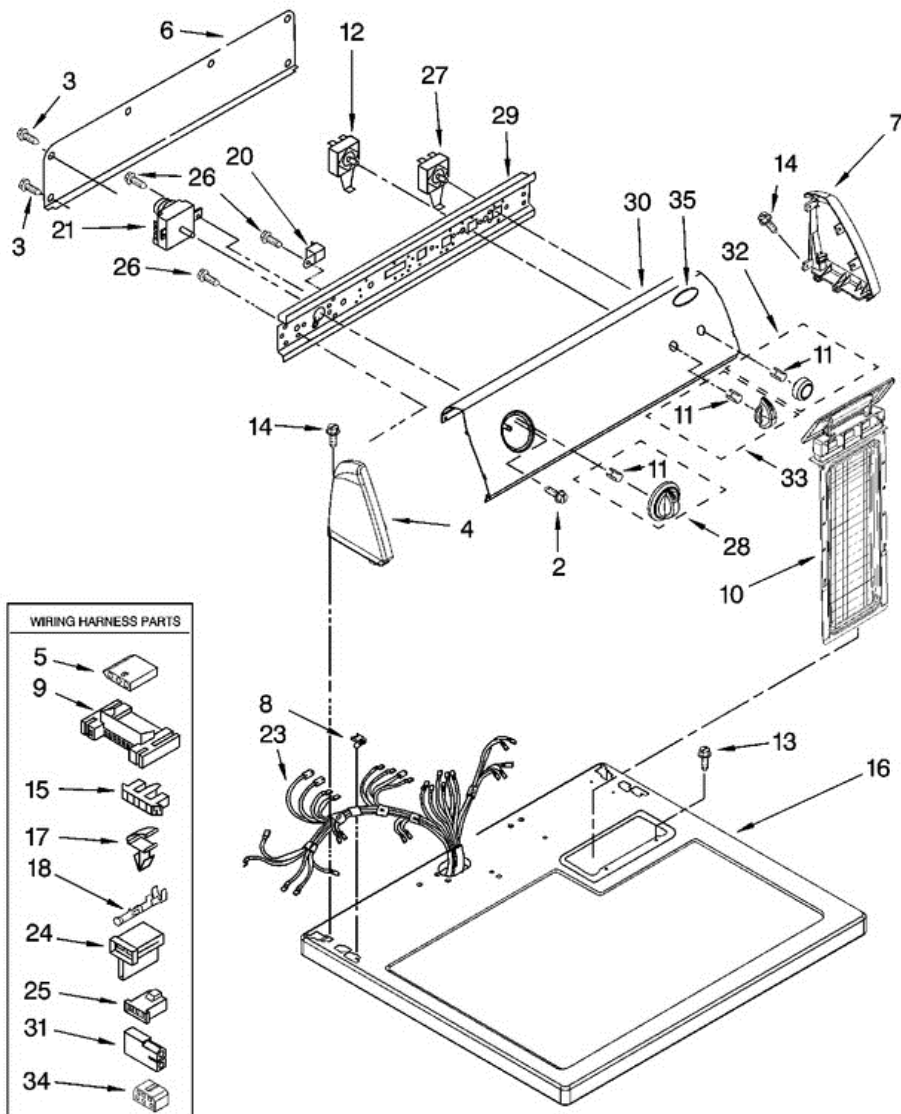


Distribuidor Autorizado

SurteRápido.com

Venta de Refacciones  
Electrodomesticas

## 7MWG45500SQ1 TABLERO





## 7MWG45500SQ1 TABLERO

|    |           |                                   |
|----|-----------|-----------------------------------|
| 1  | 8564241   | INSTALLATION INSTRUCTIONS         |
| 1  | 8565897   | USE AND CARE GUIDE                |
| 1  | 8579563   | SHEET, CYCLE FEATURE              |
| 1  | W10185979 | WIRING DIAGRAM                    |
| 2  | 8533951   | SCREW, GROUNDING                  |
| 3  | 693995    | SCREW, HEX HEAD                   |
| 4  | 8271365   | CAP, END (L.H.) (WHITE)           |
| 4  | 8271368   | CAP, END (L.H.) (BISCUIT)         |
| 5  | 3936144   | CONNECTOR                         |
| 6  | 8274261   | PANEL, REAR CONSOLE               |
| 7  | 8271359   | CAP, END (R.H.) (WHITE)           |
| 7  | 8271362   | CAP, END (R.H.) (BISCUIT)         |
| 8  | 357213    | NUT, PUSH-IN (2)                  |
| 9  | 3395683   | HOUSING, CONNECTOR (MOTOR)        |
| 10 | 8557861   | SCREEN, LINT (WHITE)              |
| 10 | 8557862   | SCREEN, LINT (BISCUIT)            |
| 11 | 8536939   | CLIP, SPRING                      |
| 12 | 3405152   | SWITCH, GAURD                     |
| 13 | 688983    | SCREW, 8-18 X 5/8                 |
| 14 | 388326    | SCREW, CONSOLE                    |
| 15 | 3397269   | CONNECTOR, TIMER                  |
| 16 | 8557930   | TOP (WHITE)                       |
| 16 | 8557931   | TOP (BISCUIT)                     |
| 17 | 3394427   | CLIP-HARNESS                      |
| 18 | 94614     | TERMINAL                          |
| 20 | 694419    | BUZZER, MINI                      |
| 21 | W10185969 | TIMER ASSEMBLY, 60 HZ.            |
| 23 | W10111050 | HARNESS, WIRING                   |
| 24 | 3403499   | CONNECTOR, 2-POSITION GAS VALVE   |
| 25 | 3403498   | CONNECTOR, 3-POSITION (GAS VALVE) |
| 26 | 8533971   | SCREW, 8-18 X 5/16                |
| 27 | 3977456   | SWITCH, PUSH-TO-START             |
| 28 | 8566061   | TIMER KNOB ASSEMBLY (WHITE)       |

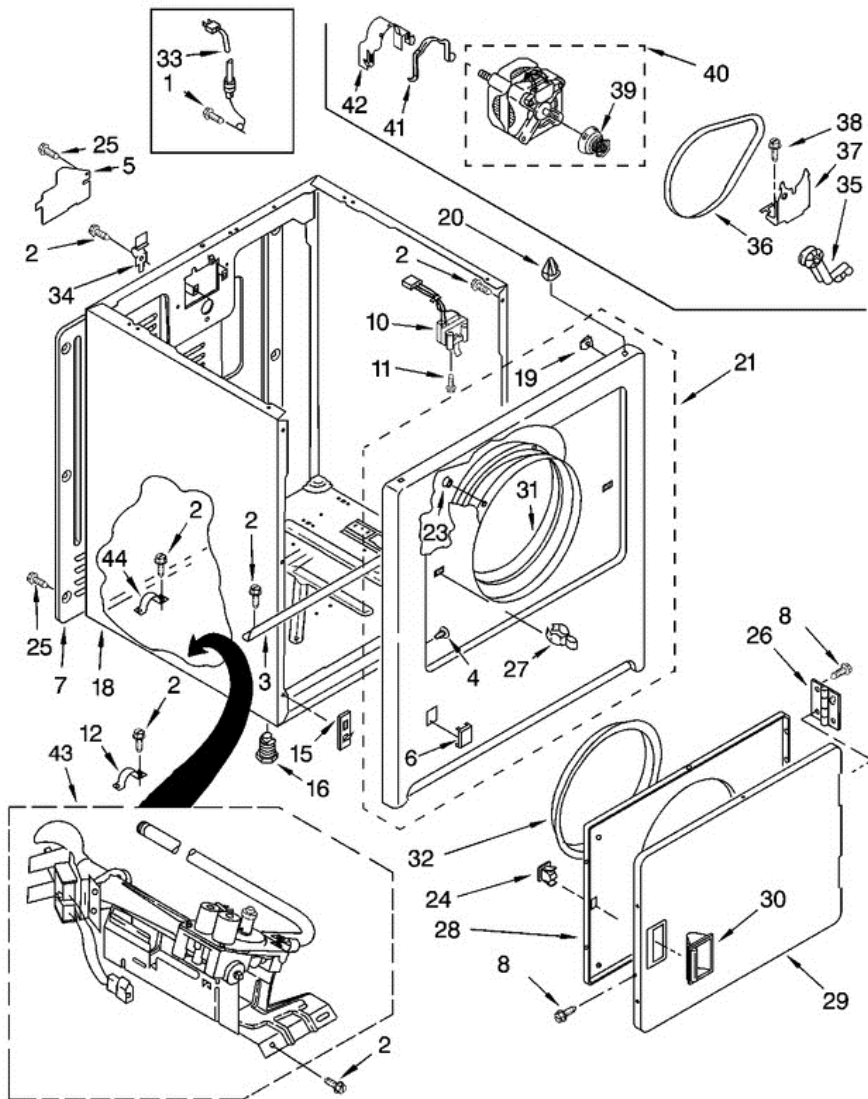
|    |         |                               |
|----|---------|-------------------------------|
| 28 | 8566064 | TIMER KNOB ASSEMBLY (BISCUIT) |
| 29 | 8544895 | BRACKET, CONTROL              |
| 30 | 8543035 | PANEL, CONTROL (WHITE)        |
| 30 | 8543036 | PANEL, CONTROL (BISCUIT)      |
| 31 | 717252  | RECEPTACLE, LATCHING (2-WAY)  |
| 32 | 8566065 | KNOB, PUSH-TO-START (WHITE)   |
| 32 | 8566068 | KNOB, PUSH-TO-START (BISCUIT) |
| 33 | 8565944 | KNOB, CONTROL (WHITE)         |
| 33 | 8565947 | KNOB, CONTROL (BISCUIT)       |
| 34 | 3347243 | CONNECTOR 6-CIRCUIT           |
| 35 | 3400985 | MEDALLION                     |

Distribuidor Autorizado

SurteRápido.com

Venta de Refacciones  
Electrodomesticas

## 7MWG4550SQ1 GABINETE



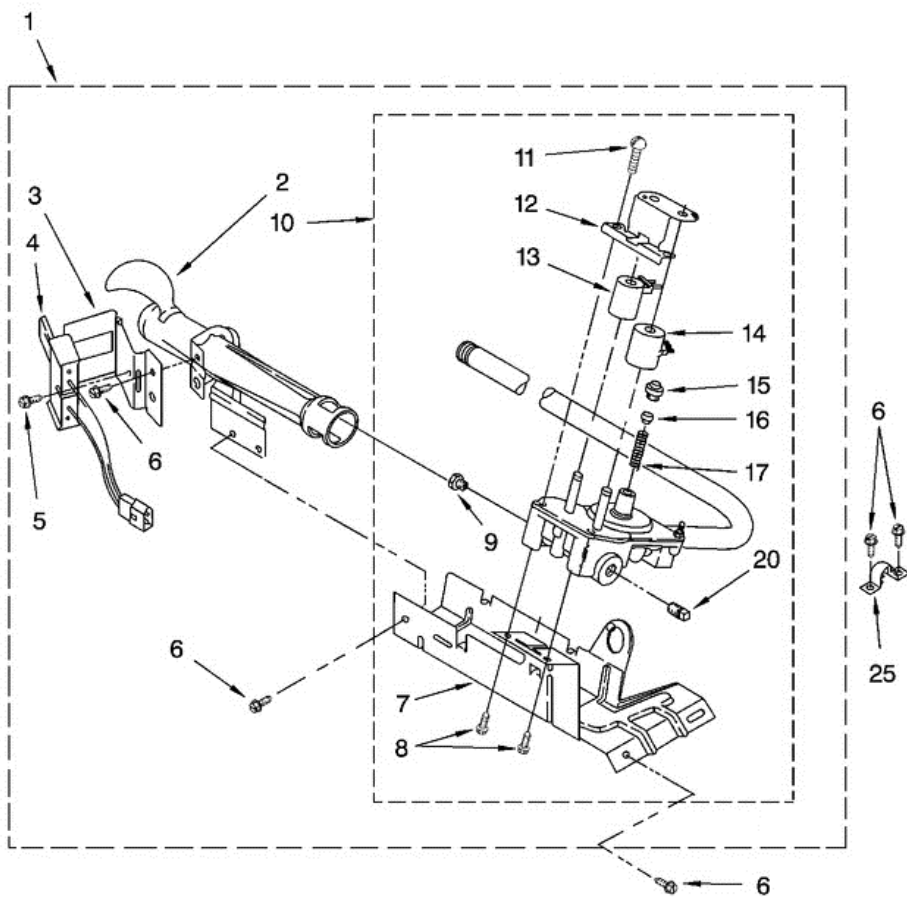


## 7MWG45500SQ1 GABINETE

|    |         |                                       |
|----|---------|---------------------------------------|
| 1  | 697776  | SCREW, 10-32 X 5/8                    |
| 2  | 343641  | SCREW, 10-16 X 1/2                    |
| 3  | 8541400 | BRACKET, CABINET                      |
| 4  | 3404413 | PLUG, HINGE HOLE (4) (WHITE)          |
| 4  | 3404415 | PLUG, HINGE HOLE (4) (BISCUIT)        |
| 5  | 3396795 | COVER, BLOCK                          |
| 6  | 3394975 | PLUG, FRONT PANEL (WHITE)             |
| 6  | 3394978 | PLUG, FRONT PANEL (BISCUIT)           |
| 7  | 3396807 | PANEL, REAR                           |
| 8  | 342055  | SCREW, 8-18 X 1/2                     |
| 10 | 3406104 | DOOR SWITCH ASSEMBLY                  |
| 11 | 697773  | SCREW, 6-20 X 7/8                     |
| 12 | 3980175 | CLAMP, ELBOW                          |
| 15 | 3394083 | CLIP, FRONT PANEL                     |
| 16 | 279810  | FOOT-OPTIONAL                         |
| 16 | 3392100 | FOOT, DRYER                           |
| 18 | 8530603 | CABINET (INCLUDES ILLUS. 3) (WHITE)   |
| 18 | 8530606 | CABINET (INCLUDES ILLUS. 3) (BISCUIT) |
| 19 | 98234   | CLIP, GROUND (2)                      |
| 20 | 690363  | LOCK, FRONT TOP (2)                   |
| 21 | 3403574 | FRONT PANEL ASSEMBLY (WHITE)          |
| 21 | 3403577 | FRONT PANEL ASSEMBLY (BISCUIT)        |
| 23 | 685203  | CLIP, FELT PAD                        |
| 24 | 690081  | CATCH, DOOR                           |
| 25 | 693995  | SCREW, HEX HEAD                       |
| 26 | 3405514 | HINGE & PIN ASSEMBLY                  |
| 27 | 696144  | STRIKE, DOOR                          |
| 28 | 3403371 | DOOR, REAR                            |
| 29 | 3403361 | DOOR FRONT (WHITE)                    |
| 29 | 3403363 | DOOR, FRONT (BISCUIT)                 |
| 30 | 8566059 | HANDLE, DOOR (WHITE)                  |
| 30 | 8566071 | HANDLE, DOOR (BISCUIT)                |
| 31 | 8066124 | SEAL & BEARING ASSEMBLY               |

|    |           |                         |
|----|-----------|-------------------------|
| 32 | 3405245   | SEAL, DOOR              |
| 33 | 344020    | CORD, POWER             |
| 34 | 8066217   | HINGE, TOP (2)          |
| 35 | 691366    | IDLER & PULLEY ASSEMBLY |
| 36 | 8066065   | BELT, DRIVE             |
| 37 | 348780    | BASE, MOTOR             |
| 38 | 3400500   | BOLT, 5/16-18 X 3/4     |
| 39 | 8066184   | PULLEY 60 HZ.           |
| 40 | 8066206   | MOTOR, 60 HZ.           |
| 41 | W10121316 | CLAMP, MOTOR            |
| 42 | 3404162   | CLAMP, MOTOR (W/SHIELD) |
| 43 | 8318272   | BURNER ASSEMBLY, 60 HZ. |
| 44 | 341029    | CLAMP, PIPE             |

**7MWG45500SQ1 QUEMADOR**





## 7MWG45500SQ1 QUEMADOR

|    |         |  |
|----|---------|--|
|    | 694572  | CONVERSION KIT (TYPE 1) TO TYPE (4) L.P.G.         |
| 1  | 8318272 | BURNER ASSEMBLY 60 HZ.(TYPE 1)                     |
| 2  | 688617  | TUBE, BURNER                                       |
| 3  | 694298  | BRACKET, IGNITOR                                   |
| 4  | 686590  | IGNITOR  |
| 5  | 3393909 | SCREW & WASHER (8-32 X 5/8)                        |
| 6  | 343641  | SCREW, 10-16 X 1/2                                 |
| 7  | 693986  | BASE, BURNER                                       |
| 8  | 3387057 | SCREW, 8-18 X 3/8                                  |
| 9  | 229742  | ORIFICE, BURNER (TYPE 4 (BUTANE))                  |
| 9  | 234826  | ORIFICE, BURNER TYPE 1                             |
| 9  | 234868  | ORIFICE, BURNER (TYPE 4 (PROPANE))                 |
| 10 | 8318277 | VALVE, 60 HZ. (INCLUDES PIPE & ILLUS. 7)           |
| 11 | 694421  | SCREW, 8-32 X 1/2 (2)                              |
| 12 | 694538  | BRACKET, COIL                                      |
| 13 | 694540  | COIL, 60 HZ. (2 TERMINAL) (MAIN)                   |
| 14 | 694539  | COIL, 60 HZ. (SPLIT) (3 TERMINAL) (PILOT POSITION) |
| 15 | 694424  | LEAK, LIMITER                                      |
| 16 | 694423  | SCREW, REGULATOR ADJUSTMENT                        |
| 17 | 694422  | SPRING, REGULATOR                                  |
| 20 | 239822  | PLUG, PIPE   |
| 25 | 341029  | CLAMP, PIPE  |

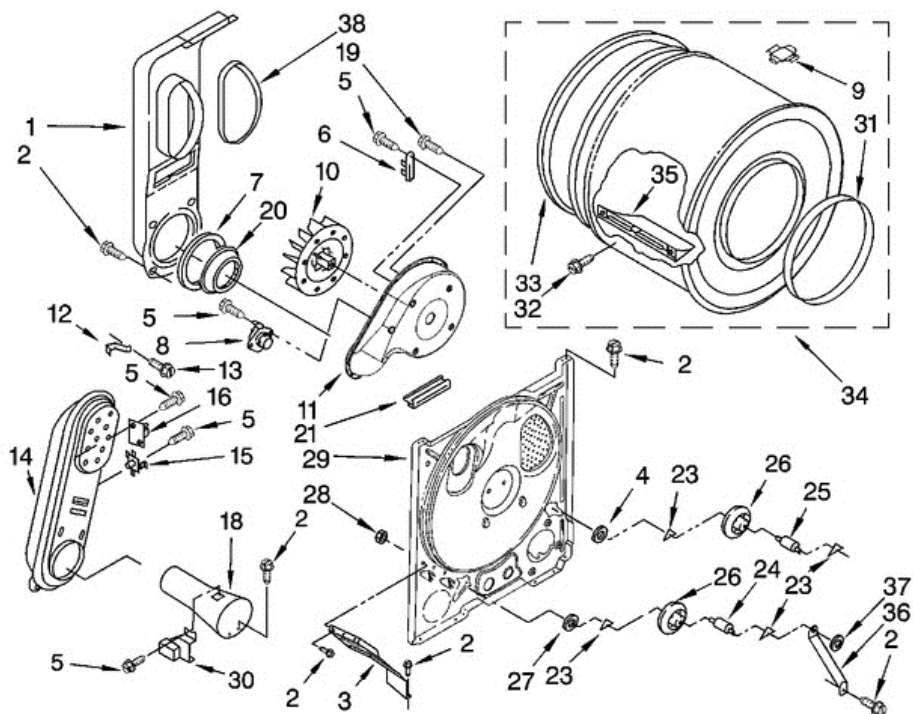


Distribuidor Autorizado

**SurteRápido.com**

Venta de Refacciones  
Electrodomesticas

7MWG45500SQ1 TAMBOR





## 7MWG45500SQ1 TAMBOR

|    |           |   |
|----|-----------|---|
| 1  | 694283    | LINT CHUTE ASSEMBLY                       |
| 2  | 343641    | SCREW, 10-16 X 1/2                        |
| 3  | 3406022   | BRACKET, BULKHEAD                         |
| 4  | 3388703   | WASHER, SUPPORT                           |
| 5  | 90767     | SCREW, 8-18 X 3/8                         |
| 6  | 3392519   | FUSE, THERMAL                             |
| 7  | 347139    | SEAL, LINT CHUTE                          |
| 8  | 3387134   | THERMOSTAT, INTERNAL-BIAS                 |
| 9  | 8066086   | DRUM HOLE PLUG                            |
| 10 | 694089    | WHEEL, BLOWER                             |
| 11 | 8577230   | HOUSING, BLOWER                           |
| 12 | 3398161   | CLIP                                      |
| 13 | 489463    | SCREW, 8-18 X 5/8                         |
| 14 | 8530285   | BOX, HEATER                               |
| 15 | 3403140   | THERMOSTAT, 205Å°F (96Å°C)                |
| 16 | 280010    | KIT, THERMAL CUT-OFF (INCLUDES ILLUS. 15) |
| 18 | 8066048   | FUNNEL, BURNER                            |
| 19 | 3390647   | SCREW, 8-18 X 1/2                         |
| 20 | 696302    | SHIELD, EXHAUST                           |
| 21 | 3392247   | PAD, BLOWER HOUSING                       |
| 23 | 690997    | RING, TRI                                 |
| 24 | 3399506   | SHAFT, L.H.                               |
| 25 | 3399507   | SHAFT, R.H.                               |
| 26 | 3397590   | ROLLER, SUPPORT                           |
| 27 | 348197    | WASHER, SUPPORT                           |
| 28 | 3359452   | NUT, 3/8-16                               |
| 29 | 8529955   | BULKHEAD                                  |
| 30 | 338906    | SENSOR, RADIANT                           |
| 31 | 3394509   | RING, BEARING                             |
| 32 | W10219342 | SCREW, 11-16 X 3/4                        |
| 33 | 8066085   | SEAL, REAR DRUM                           |
| 34 | 3396777   | DRUM ASSEMBLY                             |
| 35 | 342847    | BAFFLE, DRUM                              |

|    |         |                  |
|----|---------|------------------|
| 36 | 3976435 | BRACKET, SUPPORT |
| 37 | 90296   | CLIP             |
| 38 | 339956  | SEAL             |