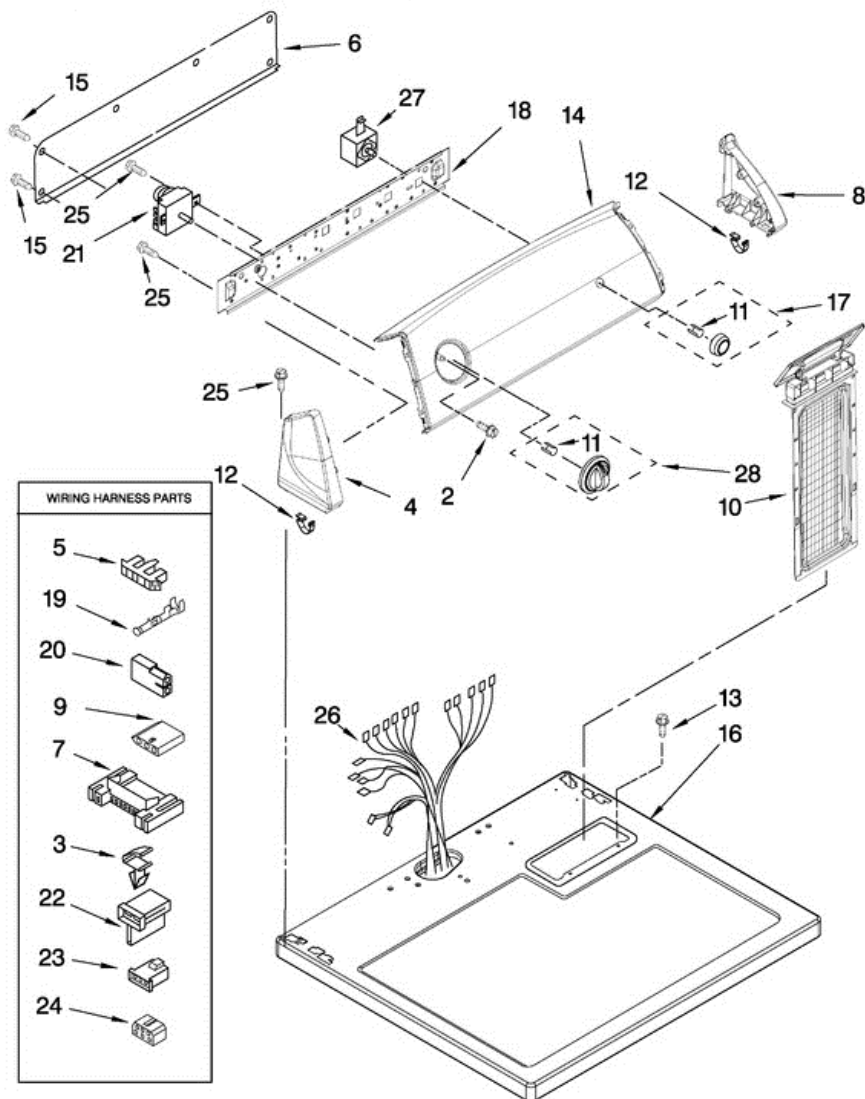


Distribuidor Autorizado

SurteRápido.com

Venta de Refacciones
Electrodomesticas

7MWG66007XQ0 TABLERO





7MWG66007XQ0 TABLERO

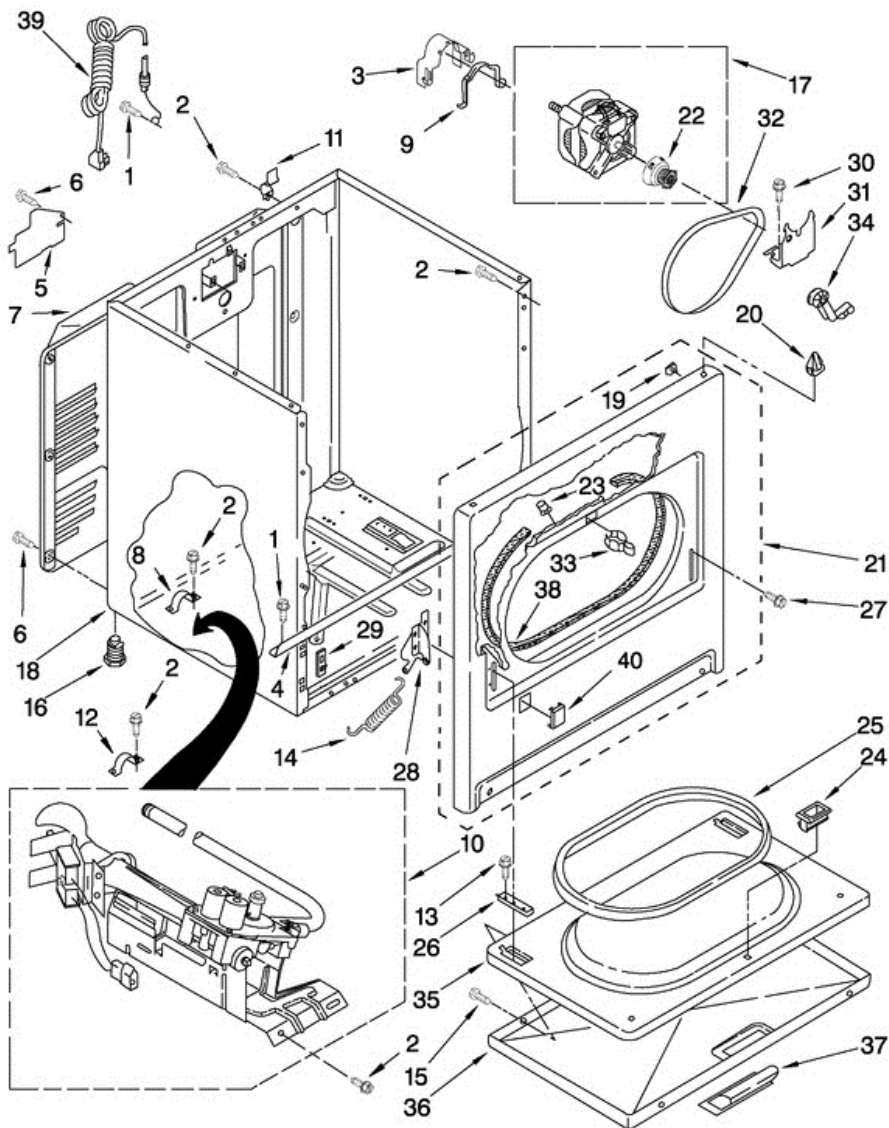
2	8533951	SCREW, GROUNDING
3	3394427	CLIP-HARNESS
4	8566035	CAP, END (L.H.)
5	3397269	CONNECTOR, TIMER
6	8274261	PANEL, REAR CONSOLE
7	3395683	HOUSING, CONNECTOR (MOTOR)
8	8566032	CAP, END (R.H.)
9	3936144	CONNECTOR
10	8557857	LINT SCREEN
11	8536939	CLIP, SPRING
12	8312709	CLIP, CONSOLE
13	688983	SCREW, 8-18 X 5/8
14	W10258967	PANEL, CONTROL
15	693995	SCREW, HEX HEAD
16	8559800	TOP
17	8566065	KNOB, PUSH-TO-START
18	8566052	BRACKET, CONTROL
19	94614	TERMINAL (FEMALE)
20	717252	RECEPTACLE, 2 WAY
21	W10185969	TIMER ASSEMBLY, 60 HZ.
22	3403499	CONNECTOR, 2-POSITION GAS VALVE
23	3403498	CONNECTOR, 3-POSITION (GAS VALVE)
24	3347243	CONNECTOR 6-CIRCUIT
25	8533971	SCREW, 8-18 X 5/16
26	W10186074	HARNESS, WIRING
27	3977456	SWITCH, PUSH-TO-START
28	8566061	TIMER KNOB ASSEMBLY

Distribuidor Autorizado

SurteRápido.com

Venta de Refacciones
Electrodomesticas

7MWG66007XQ0 GABINETE





7MWG66007XQ0 GABINETE

1	3390631	SCREW, 10-16 X.375 (EXTERNAL GROUND)
2	343641	SCREW, 10-16 X 1/2
3	3404162	CLAMP, MOTOR (W/SHIELD)
4	8541400	BRACKET, CABINET
5	3396795	COVER, BLOCK
6	693995	SCREW, HEX WASHER HEAD
7	3396805	PANEL, REAR
8	341029	CLAMP, PIPE
9	W10121316	CLAMP, MOTOR MOUNT
10	8318272	BURNER ASSEMBLY, 60 HZ.
11	8066217	HINGE, TOP (2)
12	3980175	CLAMP, ELBOW
13	694091	SCREW, 8-18 X 3/8
14	W10041960	SPRING, DOOR (2)
15	3357011	SCREW, 10-16 X 1/2
16	3392100	FOOT, DRYER
17	8066206	MOTOR ASSEMBLY 60 HZ.
18	8530603	CABINET (INCLUDES ITEM 4)
19	98234	CLIP, GROUND (2)
20	690363	LOCK, FRONT TOP (2)
21	3395197	PANEL, FRONT
22	8066184	PULLEY 60 HZ.
23	685203	CLIP, FELT PAD (2)
24	3389441	CATCH, DOOR ASSEMBLY
25	3390731	SEAL, DOOR
26	337189	CLIP, HINGE (2)
27	342043	SCREW, 10-32 X 3/8
28	8066056	HINGE, R.H.
28	8066057	HINGE, L.H.
29	3394083	CLIP, FRONT PANEL
30	3400500	BOLT, 5/16-18 X 3/4
31	348780	BASE, MOTOR
32	W10131364	BELT, DRIVE

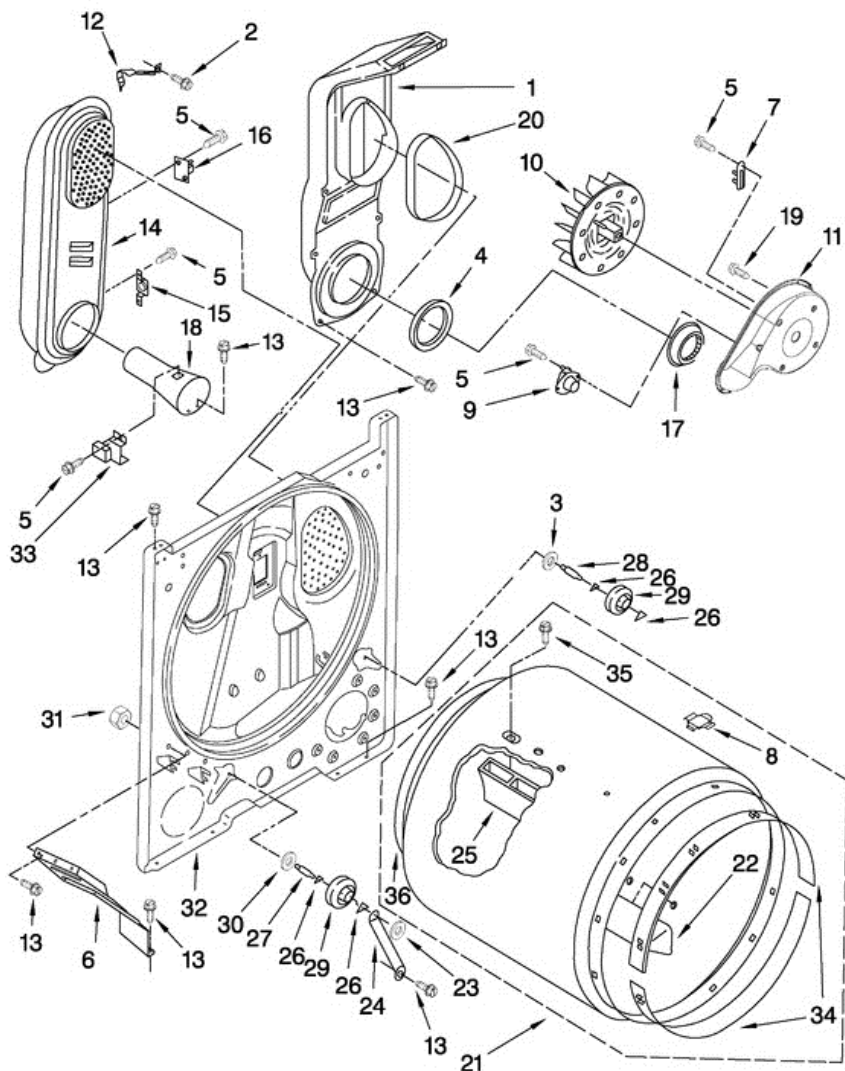
33	696144	STRIKE, PANEL
34	691366	IDLER & PULLEY ASSEMBLY
35	695737	DOOR, REAR
36	3393549	DOOR, FRONT
37	W10095180	HANDLE, DOOR
38	3406129	SEAL & BEARING ASSEMBLY
39	344020	CORD, POWER
40	8564457	PLUG, FRONT PANEL
NI	279810	FOOT-OPTIONAL

Distribuidor Autorizado

SurteRápido.com

Venta de Refacciones
Electrodomesticas

7MWG66007XQ0 TAMBOR



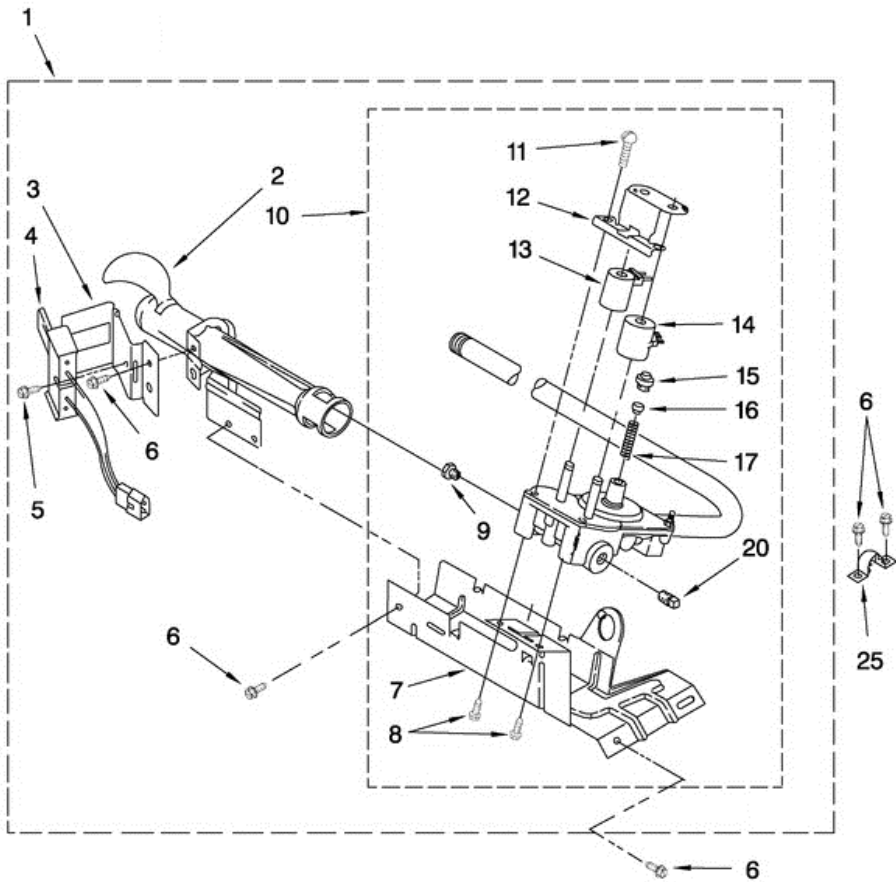


7MWG66007XQ0 TAMBOR

1	348368	LINT CHUTE ASSEMBLY
2	489463	SCREW, 8-18 X 5/8
3	3388703	WASHER, SUPPORT
4	347139	SEAL, LINT CHUTE
5	90767	SCREW, 8-18 X 3/8
6	3406022	BRACKET, BULKHEAD
7	3392519	FUSE, THERMAL
8	8066086	DRUM HOLE PLUG
9	3387134	THERMOSTAT, INTERNAL-BIAS
10	694089	WHEEL, BLOWER
11	8577230	HOUSING, BLOWER
12	3398161	CLIP
13	343641	SCREW, 10-16 X 1/2
14	8530285	BOX, HEATER
15	3403140	THERMOSTAT, 205Å°F (96Å°C)
16	3977394	KIT, THERMAL CUT-OFF (INCLUDES ITEM 15)
17	696302	SHIELD, EXHAUST
18	8066049	FUNNEL, BURNER
19	3390647	SCREW, 8-18 X 1/2
20	339956	SEAL
21	695587	DRUM ASSEMBLY
22	3403636	BAFFLE, DRUM (1)
23	90296	CLIP
24	3976434	BRACKET, SUPPORT
25	692490	BAFFLE, DRUM (2)
26	690997	RING, TRI
27	3399506	SHAFT, L.H.
28	3399507	SHAFT, R.H.
29	3397590	ROLLER, SUPPORT
30	348197	WASHER, SUPPORT
31	3359452	NUT, 3/8-16
32	3403410	BULKHEAD
33	338906	SENSOR, RADIANT

34	692526	RING, BEARING
35	W10219342	SCREW, 8-16 X 1/2
36	3406130	SEAL, REAR DRUM

7MWG66007XQ0 QUEMADOR





7MWG66007XQ0 QUEMADOR

1	8318272	BURNER ASSEMBLY 60 HZ.(TYPE 1)
2	688617	TUBE, BURNER
3	694298	BRACKET, IGNITOR
4	686590	IGNITOR
5	3393909	SCREW & WASHER (8-32 X 5/8)
6	343641	SCREW, 10-16 X 1/2
7	693986	BASE, BURNER
8	3387057	SCREW, 8-18 X 3/8
9	229742	ORIFICE, BURNER (TYPE 4 (BUTANE))
9	234826	ORIFICE, BURNER TYPE 1
9	234868	ORIFICE, BURNER (TYPE 4 (PROPANE))
10	8318277	VALVE, 60 HZ. (INCLUDES PIPE & ILLUS. NO.7)
11	694421	SCREW, 8-32 X 1/2 (2)
12	694538	BRACKET, COIL
13	694540	COIL, 60 HZ. (2 TERMINAL) (MAIN)
14	694539	COIL, 60 HZ. (SPLIT) (3 TERMINAL) (PILOT POSITION)
15	694424	LEAK, LIMITER
16	694423	SCREW, REGULATOR ADJUSTMENT
17	694422	SPRING, REGULATOR
20	239822	PLUG, PIPE
25	341029	CLAMP, PIPE
NI	694572	CONVERSION KIT (TYPE 1) TO TYPE (4) L.P.G.