

FOR ORDERING INFORMATION REFER TO PARTS PRICE LIST



Secadora Whirlpool 7MWG66700SQ1

| Illus. No. | Part No. | DESCRIPTION |
|------------|-----------|---------------------------|
| 1 | | Literature Parts |
| | 8564241 | Installation Instructions |
| | 8579961 | Sheet, Cycle Feature |
| | 8565897 | Use & Care Guide |
| | W10185985 | Wiring Diagram |

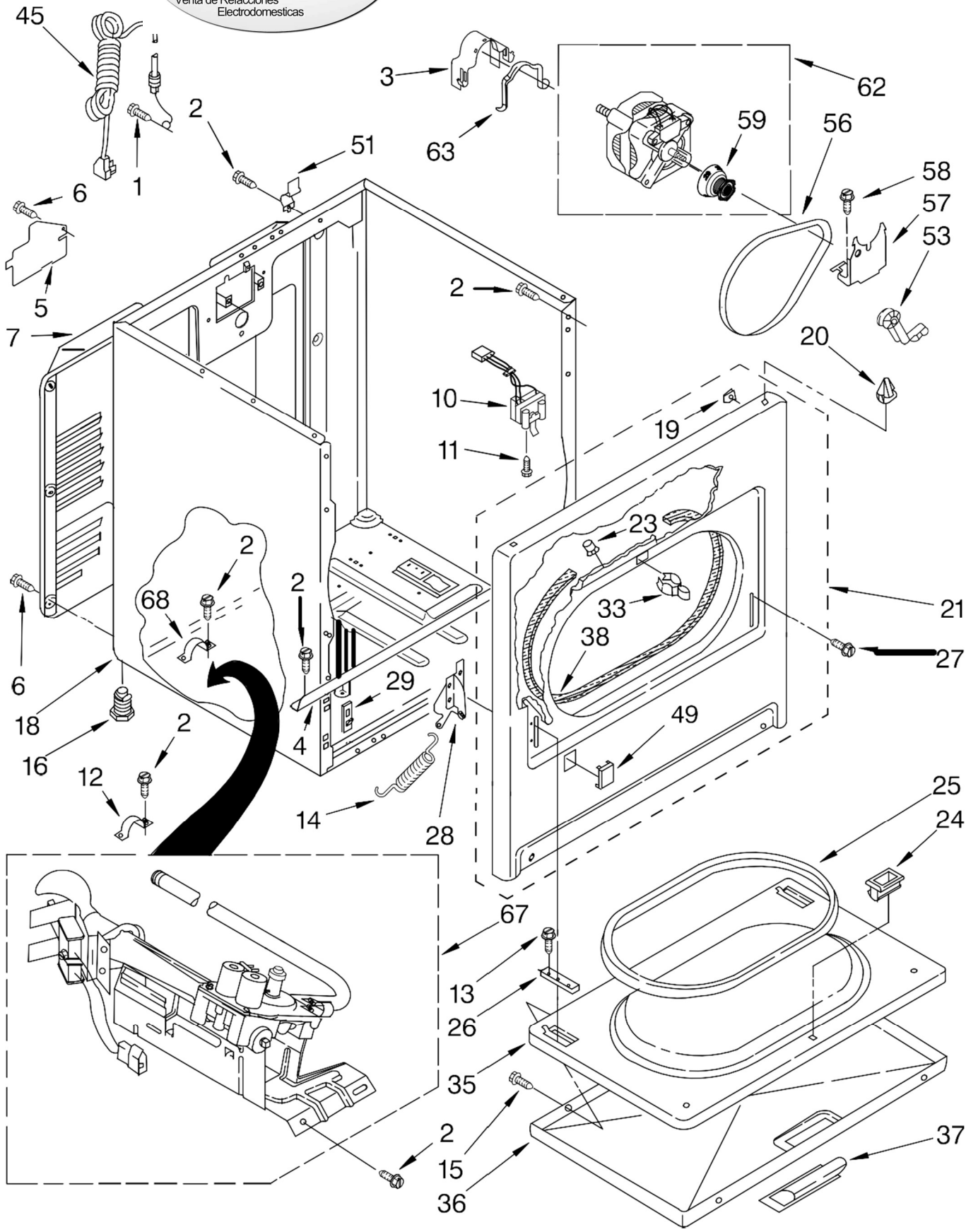
**Following May Be Purchased
DO-IT-YOURSELF**

REPAIR MANUALS

| | | |
|---|---------|---------------------|
| 2 | 8533951 | Screw, Grounding |
| 3 | 3394427 | Clip, Harness |
| 4 | | Cap, End (L.H.) |
| | 8566035 | White Biscuit |
| | 8566036 | Biscuit |
| 5 | 3397269 | Connector (Timer) |
| 6 | 8274261 | Panel, Rear Console |

| Illus. No. | Part No. | DESCRIPTION |
|------------|-----------|-----------------------------------|
| 7 | 3395683 | Housing, Connector (Motor) |
| 8 | | Cap, End (R.H.) |
| | 8566032 | White Biscuit |
| | 8566033 | Biscuit |
| 9 | 694419 | Buzzer, Mini |
| 10 | | Lint Screen |
| | 8557857 | White Biscuit |
| | 8557858 | Biscuit |
| | 8536939 | Clip, Spring |
| 12 | 8312709 | Clip-Console |
| 13 | 688983 | Screw, 8-18 x 5/8 |
| 15 | 693995 | Screw, Hex Head |
| 16 | | Top |
| | 8559800 | White Biscuit |
| | 8563660 | Biscuit |
| 18 | 3399639 | Switch, End of Cycle |
| 19 | | Knob, Control |
| | 8565944 | White Biscuit |
| | 8565947 | Biscuit |
| 21 | W10185981 | Timer Assembly (60 Hz.) |
| 22 | 3403499 | Connector, 2-Position (Gas Valve) |

| Illus. No. | Part No. | DESCRIPTION |
|------------|-----------|-----------------------------------|
| 23 | 3403498 | Connector, 3-Position (Gas Valve) |
| 24 | 3347243 | Connector, 6-Circuit |
| 29 | 8533971 | Screw, 8-18 x 5/16 |
| 31 | W10186122 | Harness, Wiring |
| 32 | 3398095 | Switch, Push-To-Start |
| 33 | | Timer Knob Assembly |
| | 8566061 | White Biscuit |
| | 8566064 | Biscuit |
| 34 | | Knob, Push-To-Start |
| | 8566073 | White Biscuit |
| | 8566076 | Biscuit |
| 35 | 717252 | Receptacle, 2-Way |
| 36 | 94614 | Terminal, Female |
| 37 | 8566052 | Bracket, Control |
| 38 | | Panel, Control |
| | 8543037 | White Biscuit |
| | 8543038 | Biscuit |
| 39 | 3936144 | Connector |



FOR ORDERING INFORMATION REFER TO PARTS PRICE LIST



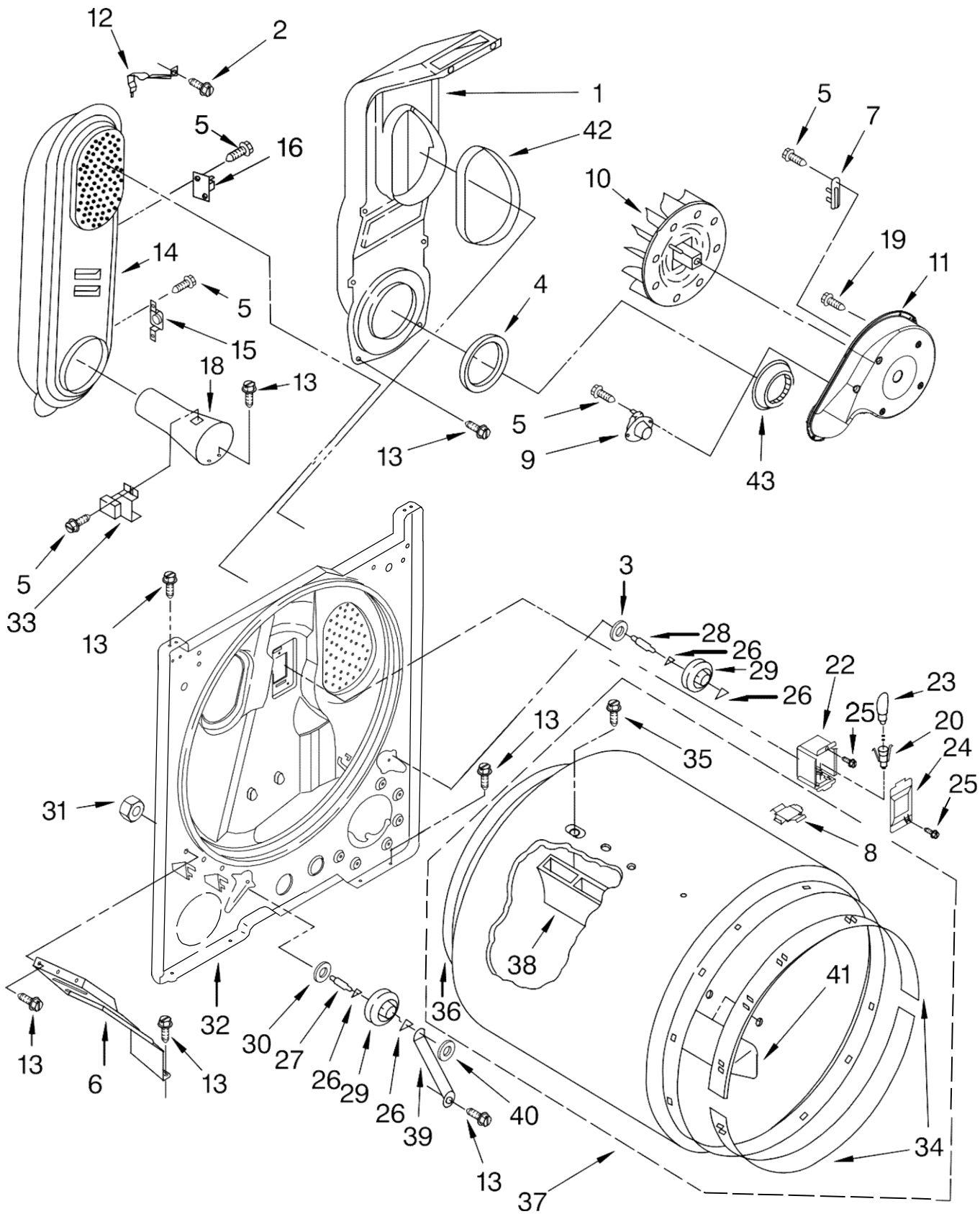
Secadora Whirlpool 7MWG66700SQ1

| Illus. No. | Part No. | DESCRIPTION |
|------------|-----------|---------------------------------------------------------------|
| 1 | 697776 | Screw, 10-32 x 5/8 (External Ground) |
| 2 | 3390631 | Screw, 10-16 x .375 |
| 3 | 3404162 | Clamp, Motor (W/Shield) |
| 4 | 8541400 | Bracket, Cabinet |
| 5 | 3396795 | Cover, Block |
| 6 | 693995 | Screw, Hex Washer Head |
| 7 | 3396805 | Panel, Rear |
| 10 | 3406107 | Door Switch Assembly |
| 11 | 697773 | Screw, 6-20 x 7/8 |
| 12 | 3980175 | Clamp-Elbow |
| 13 | 694091 | Screw, 8-18 x 3/8 |
| 14 | W10041960 | Spring, Door (2) |
| 15 | 3357011 | Screw, 10-16 x 1/2 |
| 16 | 3392100 | Foot, Dryer |
| | 279810 | Foot - Optional (Extended Length Package Of 2 (Not Included)) |

| Illus. No. | Part No. | DESCRIPTION |
|------------|----------|-------------------------------|
| 18 | | Cabinet (Includes (Illus. 4)) |
| | 8530603 | White |
| | 8530606 | Biscuit |
| 19 | 98234 | Clip, Ground (2) |
| 20 | 690363 | Lock, Front Top (2) |
| 21 | | Panel Front |
| | 3395197 | White |
| | 3977243 | Biscuit |
| 23 | 685203 | Clip, Felt Pad (2) |
| 24 | 3389441 | Catch, Door Assembly |
| 25 | 3390731 | Seal, Door |
| 26 | 337189 | Clip, Hinge (2) |
| 27 | 342043 | Screw, 10-32 x 3/8 |
| 28 | 8066056 | Hinge, R.H. |
| | 8066057 | Hinge, L.H. |
| 29 | 3394083 | Clip, Front Panel |
| 33 | 696144 | Strike, Panel |
| 35 | 695737 | Door, Rear |
| 36 | | Door, Front |
| | 3393549 | White |
| | 3977241 | Biscuit |

| Illus. No. | Part No. | DESCRIPTION |
|------------|-----------|------------------------------------------------------------------------|
| 37 | | Handle, Door |
| | W10095180 | White |
| | W10095190 | Biscuit |
| 38 | 3406129 | Seal & Bearing Assembly |
| 45 | 344020 | Cord, Power |
| 49 | | Plug, Front Panel |
| | 3394975 | White |
| | 3394978 | Biscuit |
| 51 | 8066217 | Hinge, Top (2) |
| 53 | 691366 | Idler & Pulley Assembly |
| 56 | 8066065 | Belt, Drive |
| 57 | 348780 | Base, Motor |
| 58 | 3400500 | Bolt, 5/16-18 x 3/4 |
| 59 | 8066184 | Pulley, 60 Hz. |
| 62 | 8066206 | Motor Assembly 60 Hz. |
| 63 | W10121316 | Clamp, Motor |
| 67 | 8318272 | Burner Assembly, 60 Hz. (See Pages 7 & 8 For Further Burner Breakdown) |
| 68 | 341029 | Clamp, Pipe |

FOR ORDERING INFORMATION REFER TO PARTS PRICE LIST



FOR ORDERING INFORMATION REFER TO PARTS PRICE LIST

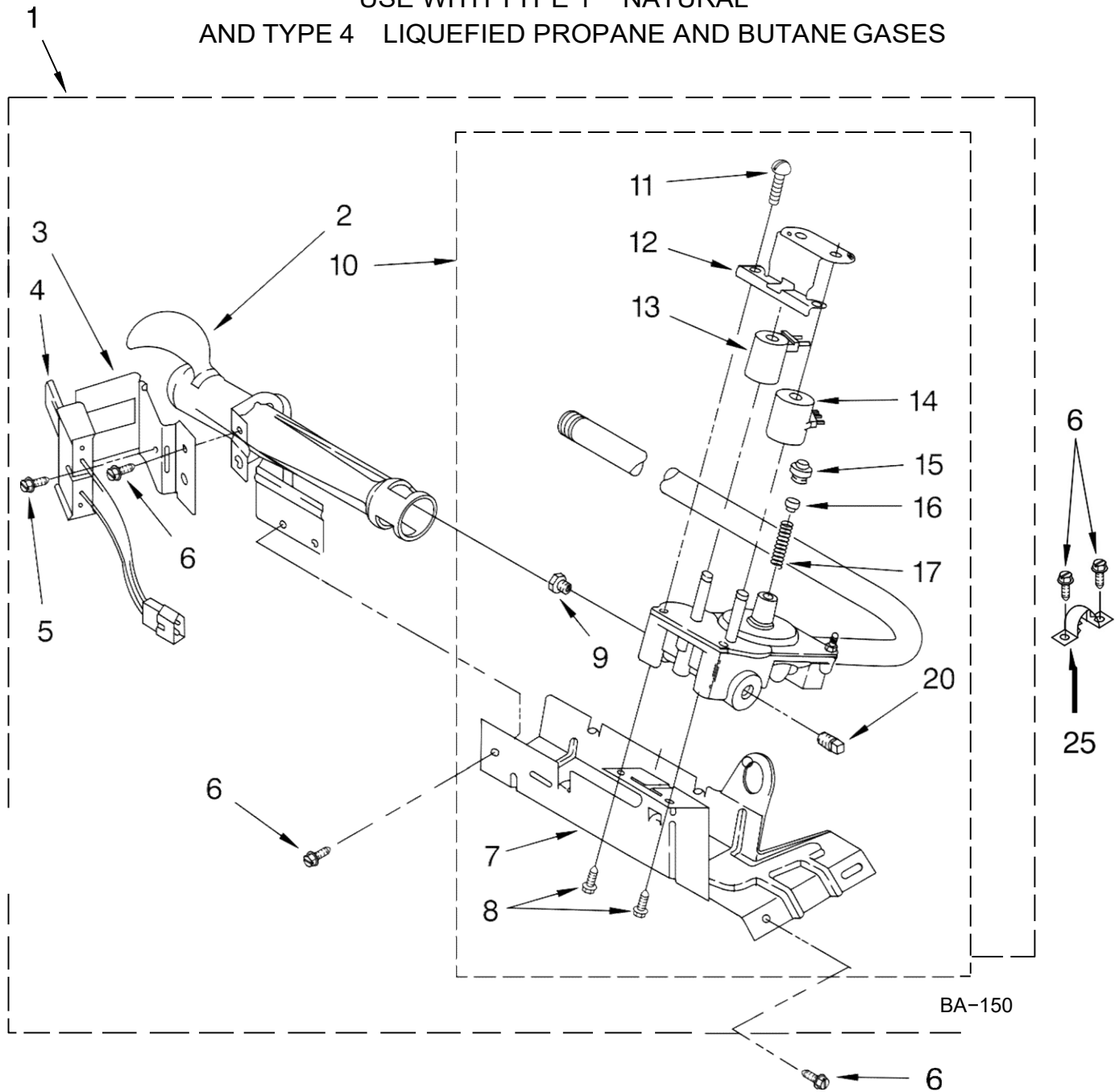


Secadora Whirlpool 7MWG66700SQ1

| Illus. No. | Part No. | DESCRIPTION | Illus. No. | Part No. | DESCRIPTION | Illus. No. | Part No. | DESCRIPTION |
|------------|----------|---------------------------|------------|-----------|-------------------------------------------|------------|-----------|--------------------|
| 1 | 348368 | Lint Chute Assembly | 13 | 3390631 | Screw, 10-16 x.375 | 28 | 3399507 | Shaft, R.H. |
| 2 | 489463 | Screw, 8-18 x 5/8 | 14 | 8530285 | Box, Heater | 29 | 3397590 | Roller, Support |
| 3 | 3388703 | Washer-Support | 15 | 3403140 | Thermostat, 205 F (96 C) | 30 | 348197 | Washer, Support |
| 4 | 347139 | Seal, Lint Chute | 16 | 280010 | Kit, Thermal Cut-Off (Includes Illus. 15) | 31 | 3359452 | Nut, 3/8-16 |
| 5 | 90767 | Screw, 8-18 x 3/8 | 18 | 8066049 | Funnel, Burner | 32 | 3403493 | Bulkhead |
| 6 | 3406022 | Bracket, Bulkhead | 19 | 3390647 | Screw, 8-18 x 1/2 | 33 | 338906 | Sensor, Radiant |
| 7 | 3392519 | Fuse, Thermal | 20 | W10136369 | Socket, Assembly | 34 | 692526 | Ring, Bearing |
| 8 | 8066086 | Drum Hole Plug | 22 | 3977373 | Bracket, Light | 35 | W10219342 | Screw, 11-16 x 3/4 |
| 9 | 3387134 | Thermostat, Internal-Bias | 23 | 3406124 | Bulb, Light | 36 | 3406130 | Seal, Rear Drum |
| 10 | 694089 | Wheel, Blower | 24 | 3402841 | Lens, Light | 37 | 695587 | Drum Assembly |
| 11 | 8577230 | Housing, Blower | 25 | 487909 | Screw, 8-15 x 1/2 | 38 | 692490 | Baffle, Drum (2) |
| 12 | 8066155 | Clip | 26 | 690997 | Ring, Tri | 39 | 3976434 | Bracket, Support |
| | | | 27 | 3399506 | Shaft, L.H. | 40 | 90296 | Clip |
| | | | | | | 41 | 3403636 | Baffle, Drum (1) |
| | | | | | | 42 | 339956 | Seal |
| | | | | | | 43 | 696302 | Shield, Exhaust |

FOR ORDERING INFORMATION REFER TO PARTS PRICE LIST

USE WITH TYPE 1 - NATURAL
 AND TYPE 4 LIQUEFIED PROPANE AND BUTANE GASES



FOR ORDERING INFORMATION REFER TO PARTS PRICE LIST



Secadora Whirlpool 7MWG66700SQ1

**USE WITH TYPE 1 – NATURAL
AND TYPE 4 LIQUEFIED PROPANE AND BUTANE GASES**

| Illus. No. | Part No. | DESCRIPTION |
|------------|----------|-------------------------------------------------------------|
| 1 | 8318272 | Burner Assembly 60 Hz. (Type 1) (White Rodgers) |
| 2 | 688617 | Tube, Burner |
| 3 | 694298 | Bracket, Ignitor |
| 4 | 686590 | Ignitor |
| 5 | 3393909 | Screw & Washer (8-32 x 5/8) |
| 6 | 343641 | Screw, 10-16 x 1/2 |
| 7 | 693986 | Base, Burner |
| 8 | 3387057 | Screw, 8-18 x 3/8 |
| 9 | | Orifice, Burner |
| | 234826 | Type 1 |
| | 229742 | Type 4 (Butane) |
| | 234868 | Type 4 (Propane) |
| 10 | 8318277 | Valve, 60 Hz. (Includes Pipe & Illus. #7) |
| 11 | 694421 | Screw, 8-32 x 1/2 (2) |
| 12 | 694538 | Bracket, Coil |
| 13 | 694540 | Coil, 60 Hz. (2 Terminal) (Main) |
| 14 | 694539 | Coil, 60 Hz. (Split) (3 Terminal) (Pilot Position) |
| 15 | 694424 | Leak Limiter |
| 16 | 694423 | Screw, Regulator Adjustment |
| 17 | 694422 | Spring, Regulator |
| 20 | 239822 | Plug, Pipe |
| 25 | 341029 | Clamp, Pipe |

Following Parts Not Illustrated

694572 Conversion Kit
(Type 1)
to Type (4) L.P.G.

BA-150

FOR ORDERING INFORMATION REFER TO PARTS PRICE LIST



Secadora Whirlpool 7MWG66700SQ1

| Illus. No. | Part No. | DESCRIPTION |
|-------------------|-----------------|--------------------|
|-------------------|-----------------|--------------------|

ACCESSORY PARTS

| | | |
|--|---------|-----------------------------------------------------------|
| | 279948 | Kit, Dryer Repair |
| | 8522199 | Kit, Dryer Vent Testing |
| | 346764 | Kit, Hold-Down (Gas Dryer Mobile Home Installation) |
| | 3404351 | Dry Rack |

PAINT, TOUCH-UP (1/2oz.)

| | | |
|--|---------|---------|
| | 72017 | White |
| | 4392899 | Biscuit |

PAINT, PRESSURIZED SPRAY (12 oz.)

| | | |
|--|---------|--------------|
| | 350930 | White |
| | 4392901 | Biscuit |
| | 350938 | Primer, Gray |

PAINT, BULK (1 qt.)

| | | |
|--|---------|-----------------|
| | 799344 | White (Uncut) |
| | 4392900 | Biscuit (Uncut) |