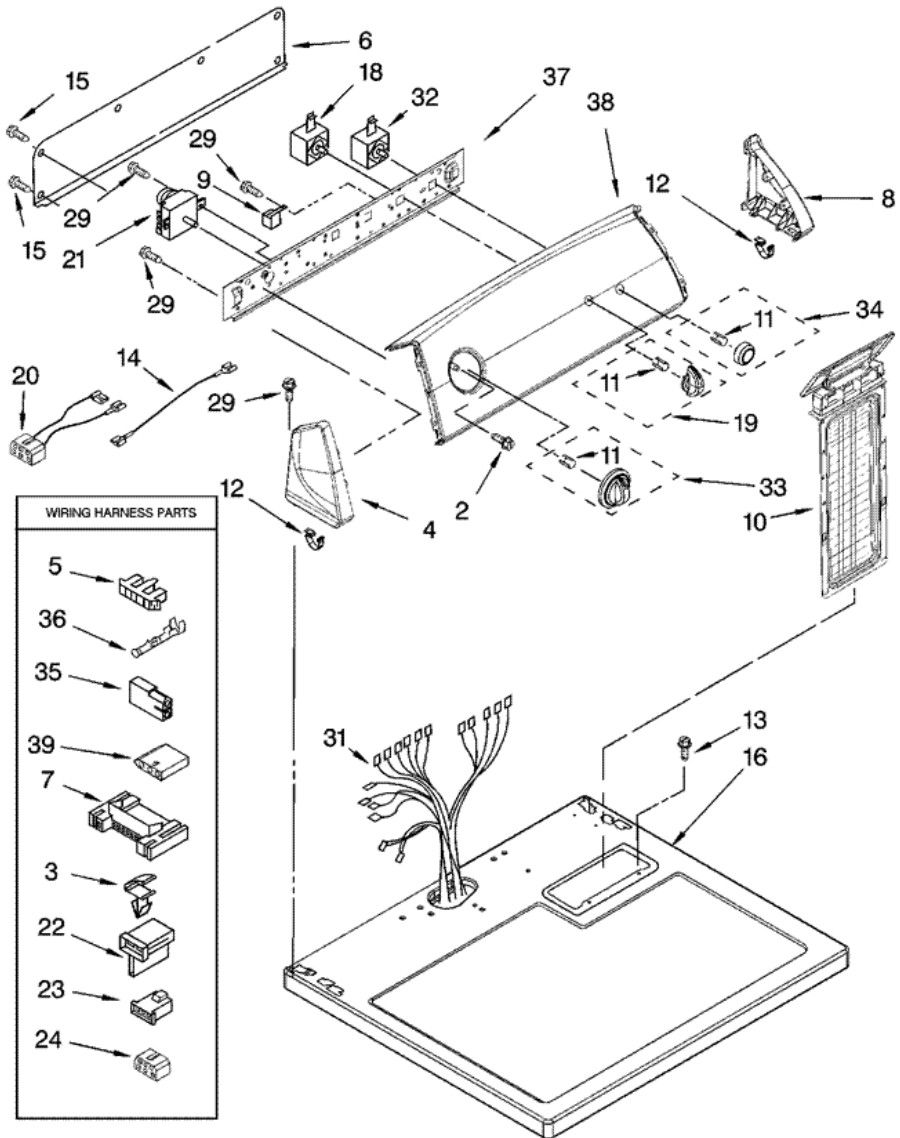


Distribuidor Autorizado

SurteRápido.com

Venta de Refacciones  
Electrodomesticas

## 7MWG66700ST0 TABLERO





## 7MWG66700ST0 TABLERO

2	3400859	SCREW, GROUNDING (S/P)
3	3394427	CLIP, HARNESS (S/P)
4	8565957	CAP, END (L.H.) (WHITE) (S/P)
4	8565958	CAP, END (L.H.) (BISCUIT) (S/P)
5	3397269	CONNECTOR (TIMER) (S/P)
6	8274261	PANEL, REAR CONSOLE (S/P)
7	3395683	HOUSING, CONNECTOR (MOTOR) (S/P)
8	8565954	CAP, END (R.H.) (WHITE) (S/P)
8	8565955	CAP, END (R.H.) (BISCUIT) (S/P)
9	694419	BUZZER, MINI (S/P)
10	8557857	LINT SCREEN (WHITE) (S/P)
10	8557858	LINT SCREEN (BISCUIT) (S/P)
11	8536939	CLIP, SPRING (S/P)
12	8312709	CLIP-CONSOLE
13	688983	SCREW, 8-18 X 5/8 (S/P)
14	3401684	WIRE, JUMPER (BLACK) (S/P)
15	693995	SCREW, HEX HEAD <b>DESCONTINUADO</b>
16	8563663	TOP (WHITE) (S/P)
16	8563664	TOP (BISCUIT) (S/P)
18	3399639	SWITCH, END OF CYCLE
19	8565944	KNOB, CONTROL (WHITE) (S/P)
19	8565947	KNOB, CONTROL (BISCUIT) (S/P)
20	8539893	WIRE, JUMPER (GUARD ON/OFF) (S/P)
21	8299765	TIMER ASSEMBLY (60 HZ.) (S/P)
22	3403499	CONNECTOR, 2-POSITION (GAS VALVE) (S/P)
23	3403498	CONNECTOR, 3-POSITION (GAS VALVE) (S/P)
24	3347243	CONNECTOR, 6-CIRCUIT (S/P)
29	8533971	SCREW, 8-18 X 5/16 (S/P)
31	8299879	HARNESS, WIRING (S/P)
32	3398095	SWITCH, PUSH-TO-START
33	8566061	TIMER KNOB ASSEMBLY (WHITE) (S/P)
33	8566064	TIMER KNOB ASSEMBLY (BISCUIT) (S/P)
34	8566073	KNOB, PUSH-TO-START (WHITE) (S/P)

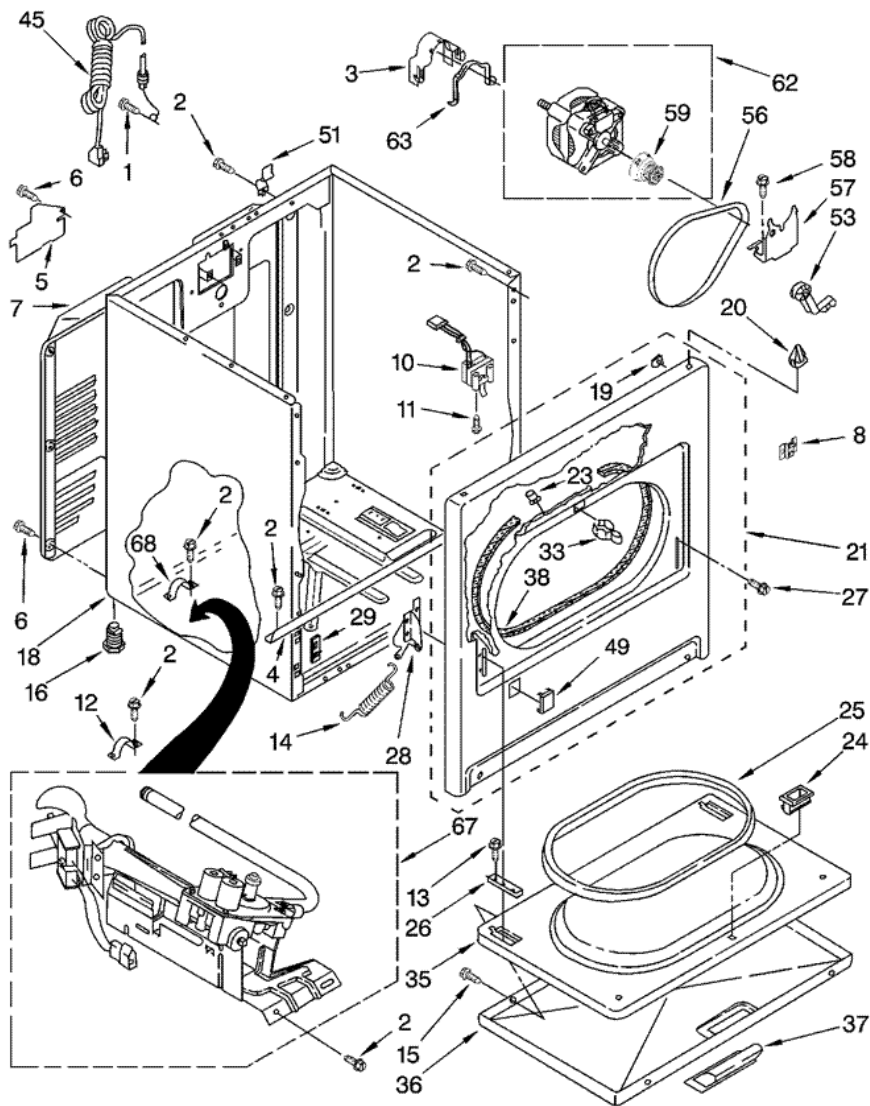
34	8566076	KNOB, PUSH-TO-START (BISCUIT) <b>(S/P)</b>
35	717252	RECEPTACLE, 2-WAY <b>(S/P)</b>
36	94614	TERMINAL, FEMALE <b>(S/P)</b>
37	8566052	BRACKET, CONTROL <b>(S/P)</b>
38	8543037	PANEL, CONTROL (WHITE) <b>(S/P)</b>
38	8543038	PANEL, CONTROL (BISCUIT) <b>(S/P)</b>
39	3936144	CONNECTOR <b>(S/P)</b>

Distribuidor Autorizado

SurteRápido.com

Venta de Refacciones  
Electrodomesticas

# 7MWG66700ST0 GABINETE





## 7MWG66700ST0 GABINETE

1	697776	SCREW, 10-32 X 5/8 (EXTERNAL GROUND) (S/P)
2	343641	SCREW, 10-16 X 1/2 (S/P)
3	3404162	CLAMP, MOTOR (W/SHIELD) (S/P)
4	8541400	BRACKET, CABINET (S/P)
5	3396795	COVER, BLOCK (S/P)
6	693995	SCREW, HEX WASHER HEAD <b>DESCONTINUADO</b>
7	280043	PANEL, REAR (S/P)
8	8546676	CLIP, DOOR SPRING (S/P)
10	3406107	DOOR SWITCH ASSEMBLY
11	697773	SCREW, 6-20 X 7/8 (S/P)
12	3980175	CLAMP-ELBOW (S/P)
13	694091	SCREW, 8-18 X 3/8 (S/P)
14	8541401	SPRING, DOOR (2) (S/P)
15	3357011	SCREW, 10-16 X 1/2 (S/P)
16	279810	FOOT - OPTIONAL (S/P)
16	3392100	FOOT, DRYER
19	98234	CLIP, GROUND (2) (S/P)
20	18776	LOCK, FRONT TOP (2)
21	279890	PANEL FRONT (BISCUIT) (S/P)
21	279740	PANEL FRONT (WHITE) (S/P)
23	279220	CLIP, FELT PAD (2) (S/P)
24	3389441	CATCH, DOOR ASSEMBLY (S/P)
25	3390731	SEAL, DOOR
26	337189	CLIP, HINGE (2) (S/P)
27	342043	SCREW, 10-32 X 3/8 (S/P)
28	8066056	HINGE, R.H. (S/P)
28	8066057	HINGE, L.H. (S/P)
29	3394083	CLIP, FRONT PANEL
33	279570	STRIKE, PANEL
35	695737	DOOR, REAR (S/P)
36	3977241	DOOR, FRONT (BISCUIT) (S/P)
36	3393549	DOOR, FRONT (WHITE) (S/P)
37	8566057	HANDLE, DOOR (WHITE) (S/P)

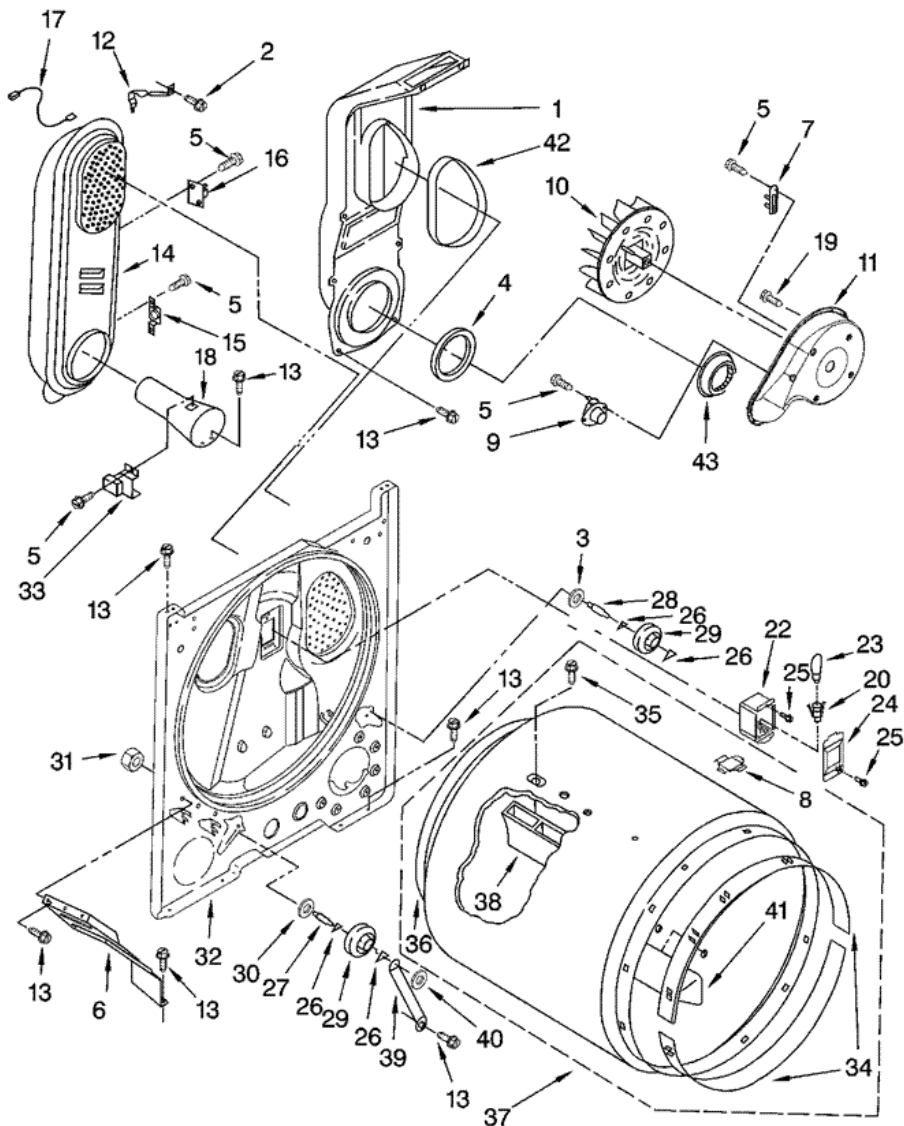
37	8566069	HANDLE, DOOR (BISCUIT) <b>(S/P)</b>
38	3406129	SEAL & BEARING ASSEMBLY
45	3401402	CORD, POWER <b>(S/P)</b>
49	3394975	PLUG, FRONT PANEL (WHITE) <b>(S/P)</b>
49	3394978	PLUG, FRONT PANEL (BISCUIT) <b>(S/P)</b>
51	8066217	HINGE, TOP (2) <b>(S/P)</b>
53	691366	IDLER & PULLEY ASSEMBLY
56	341241	BELT, DRIVE
57	348780	BASE, MOTOR <b>(S/P)</b>
58	3400500	BOLT, 5/16-18 X 3/4 <b>(S/P)</b>
59	8066184	PULLEY, 60 HZ. <b>(S/P)</b>
62	279827	MOTOR ASSEMBLY 60 HZ.
63	660658	CLAMP, MOTOR <b>(S/P)</b>
67	279990	BURNER ASSEMBLY, 60 HZ. <b>(S/P)</b>
68	341029	CLAMP, PIPE <b>(S/P)</b>

Distribuidor Autorizado

SurteRápido.com

Venta de Refacciones  
Electrodomesticas

## 7MWG66700ST0 TAMBOR





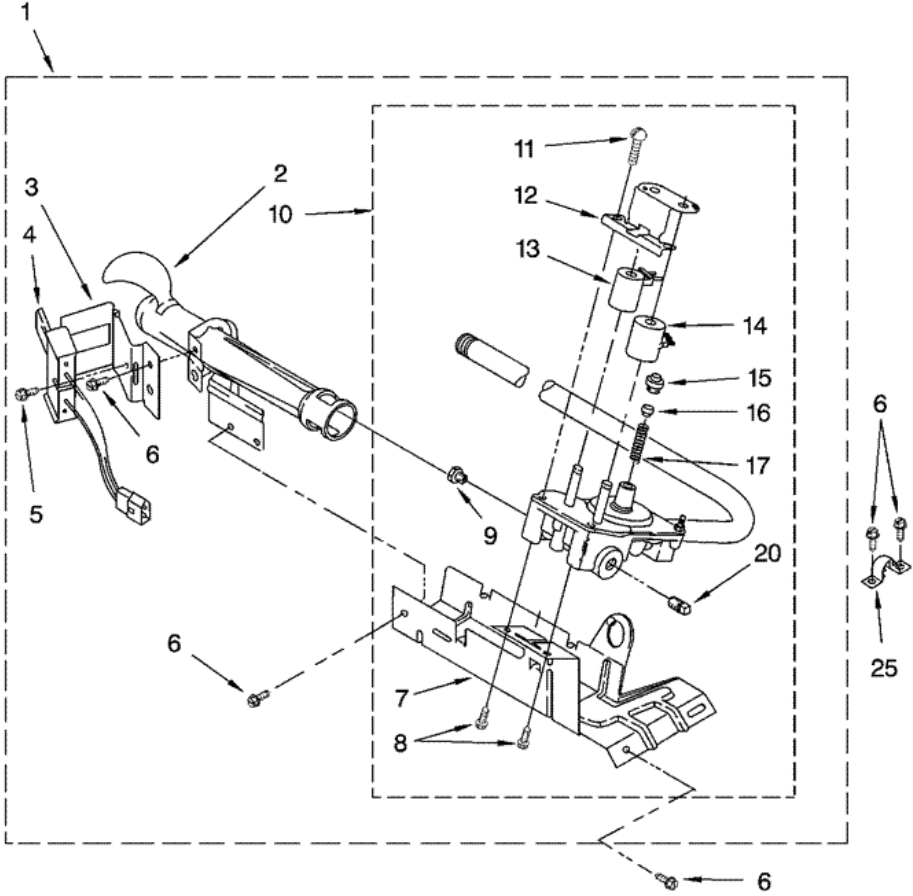
**7MWG66700ST0 TAMBOR**

1	3396352	LINT CHUTE ASSEMBLY (S/P)
2	489463	SCREW, 8-18 X 5/8 (S/P)
3	3388703	WASHER-SUPPORT (S/P)
4	347139	SEAL, LINT CHUTE (S/P)
5	90767	SCREW, 8-18 X 3/8 (S/P)
6	3406022	BRACKET, BULKHEAD (S/P)
7	3392519	FUSE, THERMAL
8	8066086	DRUM HOLE PLUG (S/P)
9	3387134	THERMOSTAT, INTERNAL-BIAS
10	694089	WHEEL, BLOWER (INCLUDES ILLUS. 21)
11	8577230	HOUSING, BLOWER (S/P)
12	8066155	CLIP (S/P)
13	343641	SCREW, 10-16 X 1/2 (S/P)
14	279980	BOX, HEATER (S/P)
15	3403140	THERMOSTAT, 205 F (96 C)
16	280010	KIT, THERMAL CUT-OFF (INCLUDES ILLUS. 15)
17	3401707	WIRE, JUMPER (S/P)
18	8066049	FUNNEL, BURNER (S/P)
19	3390647	SCREW, 8-18 X 1/2 (S/P)
20	3403634	SOCKET, ASSEMBLY (S/P)
22	3977373	BRACKET, LIGHT (S/P)
23	22002263	BULB, LIGHT (S/P)
24	3402841	LENS, LIGHT (S/P)
25	487909	SCREW, 8-15 X 1/2 (S/P)
26	690997	RING, TRI (S/P)
27	3399506	SHAFT, L.H.
28	339489	SHAFT, R.H.
29	349241	ROLLER, SUPPORT
30	348197	WASHER, SUPPORT (S/P)
31	3359452	NUT, 3/8-16 (S/P)
32	279798	BULKHEAD (S/P)
33	338906	SENSOR, RADIANT
34	279441	RING, BEARING



35	97787	SCREW, 11-16 X 3/4 (S/P)
36	279857	SEAL, REAR DRUM (S/P)
37	695587	DRUM ASSEMBLY (S/P)
38	692490	BAFFLE, DRUM (2) (S/P)
39	3976434	BRACKET, SUPPORT (S/P)
40	90296	CLIP (S/P)
41	3403636	BAFFLE, DRUM (1) (S/P)
42	339956	SEAL (S/P)
43	696302	SHIELD, EXHAUST (S/P)

**7MWG66700ST0 QUEMADOR**





## 7MWG66700ST0 QUEMADOR

1	279990	BURNER ASSEMBLY 60 HZ. (TYPE 1) (S/P)
2	693140	TUBE, BURNER (S/P)
3	694298	BRACKET, IGNITOR (S/P)
4	WE4X750	IGNITOR
5	3393909	SCREW & WASHER (8-32 X 5/8) (S/P)
6	343641	SCREW, 10-16 X 1/2 (S/P)
7	693986	BASE, BURNER <b>DESCONTINUADO</b>
8	3387057	SCREW, 8-18 X 3/8 (S/P)
9	229742	ORIFICE, BURNER (TYPE 4 (BUTANE)) (S/P)
9	234868	ORIFICE, BURNER (TYPE 4 (PROPANE)) (S/P)
9	234826	ORIFICE, BURNER (TYPE 1) (S/P)
10	8318277	VALVE, 60 HZ. (INCLUDES PIPE & ILLUS. 7)
11	694421	SCREW, 8-32 X 1/2 (2) (S/P)
12	694538	BRACKET, COIL (S/P)
13	694540	COIL, 60 HZ. (2 TERMINAL) (MAIN) (S/P)
14	694539	COIL, 60 HZ. (SPLIT) (3 TERMINAL) (S/P)
15	694424	LEAK LIMITER (S/P)
16	694423	SCREW, REGULATOR ADJUSTMENT (S/P)
17	694422	SPRING, REGULATOR (S/P)
20	239822	PLUG, PIPE (S/P)
25	341029	CLAMP, PIPE (S/P)
25	49572	CONVERSION KIT (TYPE 1) TO TYPE (4) L.P.G.