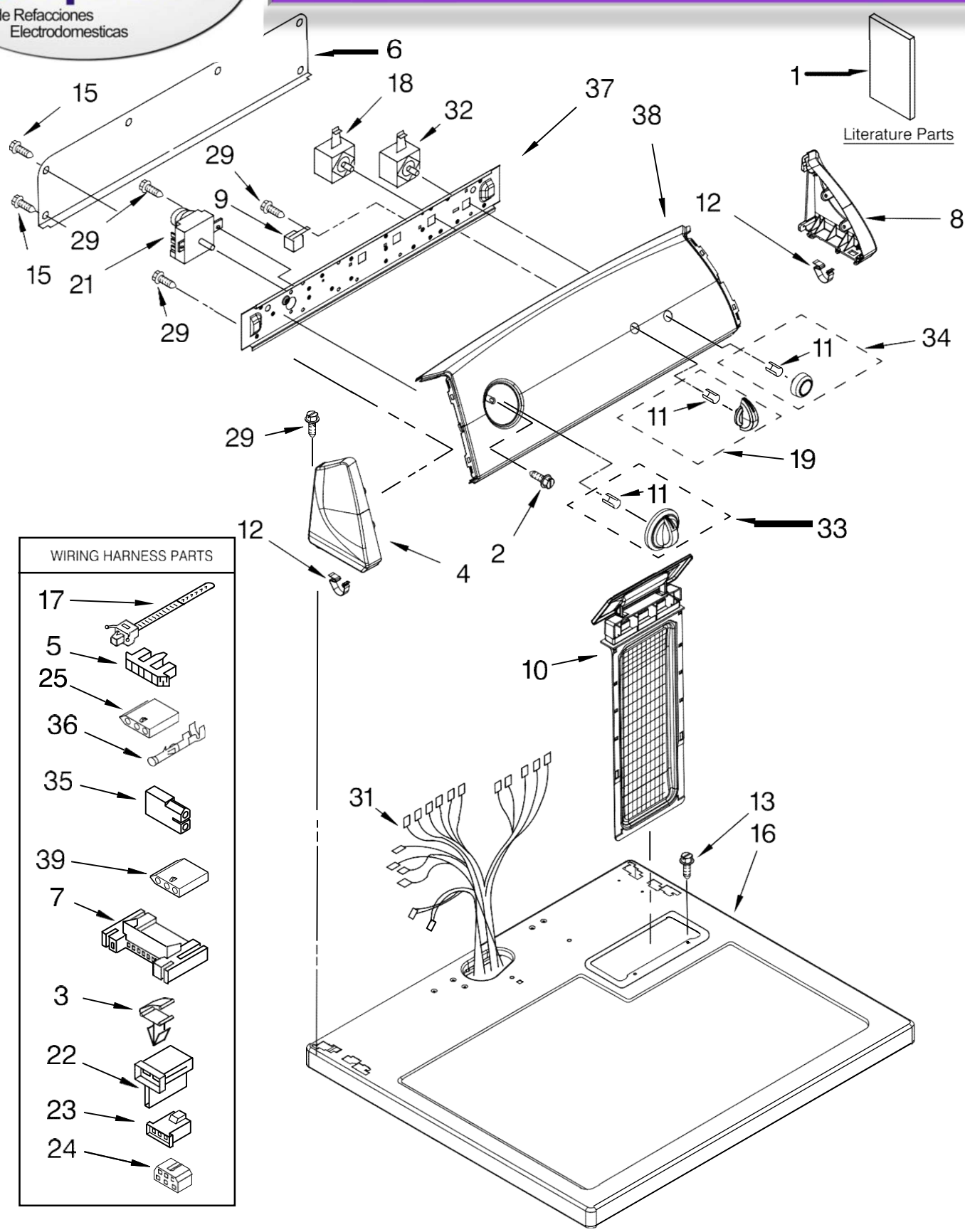


SECADORA 7MWG66705WM1

Literature Parts



WIRING HARNESS PARTS

- 17 → [Wiring harness]
- 5 → [Control knob]
- 25 → [Control panel screw]
- 36 → [Control panel screw]
- 35 → [Control panel screw]
- 39 → [Control panel screw]
- 7 → [Control panel base]
- 3 → [Door latch]
- 22 → [Control panel screw]
- 23 → [Control panel screw]
- 24 → [Control panel screw]

FOR ORDERING INFORMATION REFER TO PARTS PRICE LIST

SECADORA 7MWG66705WM1

Illus. No.	Part No.	DESCRIPTION
1		Literature Parts
	8564241	Installation Instructions
	W10245390	Sheet, Cycle Feature
	8565897	Use & Care Guide
	W10185985	Wiring Diagram

Following May Be Purchased

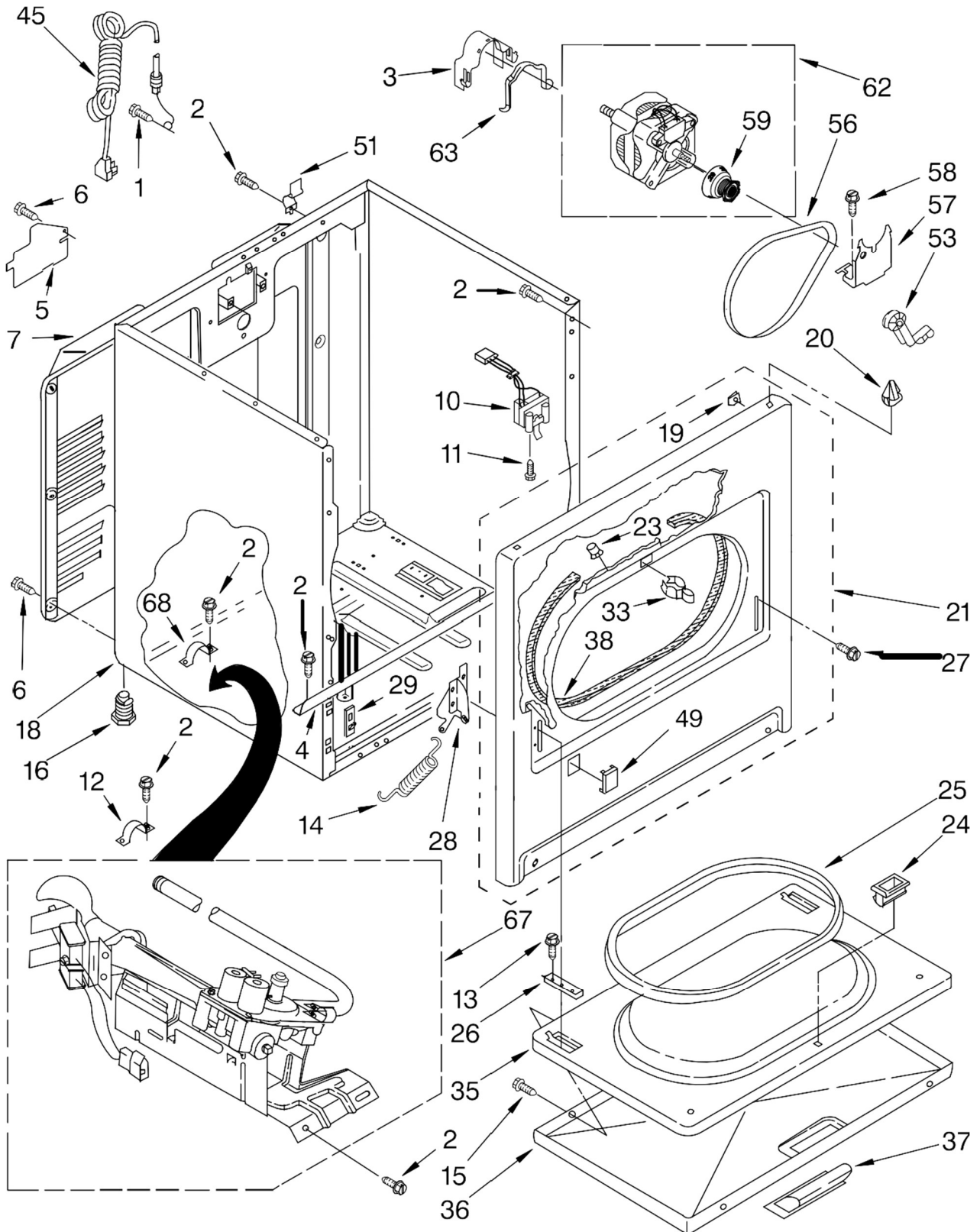
**DO-IT-YOURSELF
REPAIR MANUALS**

2	8533951	Screw, Grounding
3	3394427	Clip, Harness
4		Cap, End (L.H.)
	8566035	White
	8566036	Biscuit
5	3397269	Connector (Timer)
6	8274261	Panel, Rear Console
7	3395683	Housing, Connector (Motor)

Illus. No.	Part No.	DESCRIPTION
8		Cap, End (R.H.)
	8566032	White
	8566033	Biscuit
9	694419	Buzzer, Mini
10		Lint Screen
	8557857	White
	8557858	Biscuit
11	8536939	Clip, Spring
12	8312709	Clip-Console
13	688983	Screw, 8-18 x 5/8
15	693995	Screw, Hex Head
16		Top
	8559800	White
	8563660	Biscuit
17	3391249	Cable tie
18	3399639	Switch, End of Cycle
19		Knob, Control
	8565944	White
	8565947	Biscuit
21	W10185981	Timer Assembly (60 Hz.)
22	3403499	Connector, 2-Position (Gas Valve)

Illus. No.	Part No.	DESCRIPTION
23	3403498	Connector, 3-Position (Gas Valve)
24	3347243	Connector, 6-Circuit
25	3401144	Connector
29	8533971	Screw, 8-18 x 5/16
31	W10186122	Harness, Wiring
32	3398095	Switch, Push-To-Start
33		Timer Knob Assembly
	8566061	White
	8566064	Biscuit
34		Knob, Push-To-Start
	8566073	White
	8566076	Biscuit
35	717252	Receptacle, 2-Way
36	94614	Terminal, Female
37	8566052	Bracket, Control
38		Panel, Control
	W10244060	White
	W10244061	Biscuit
39	3936144	Connector

SECADORA 7MWG66705WM1

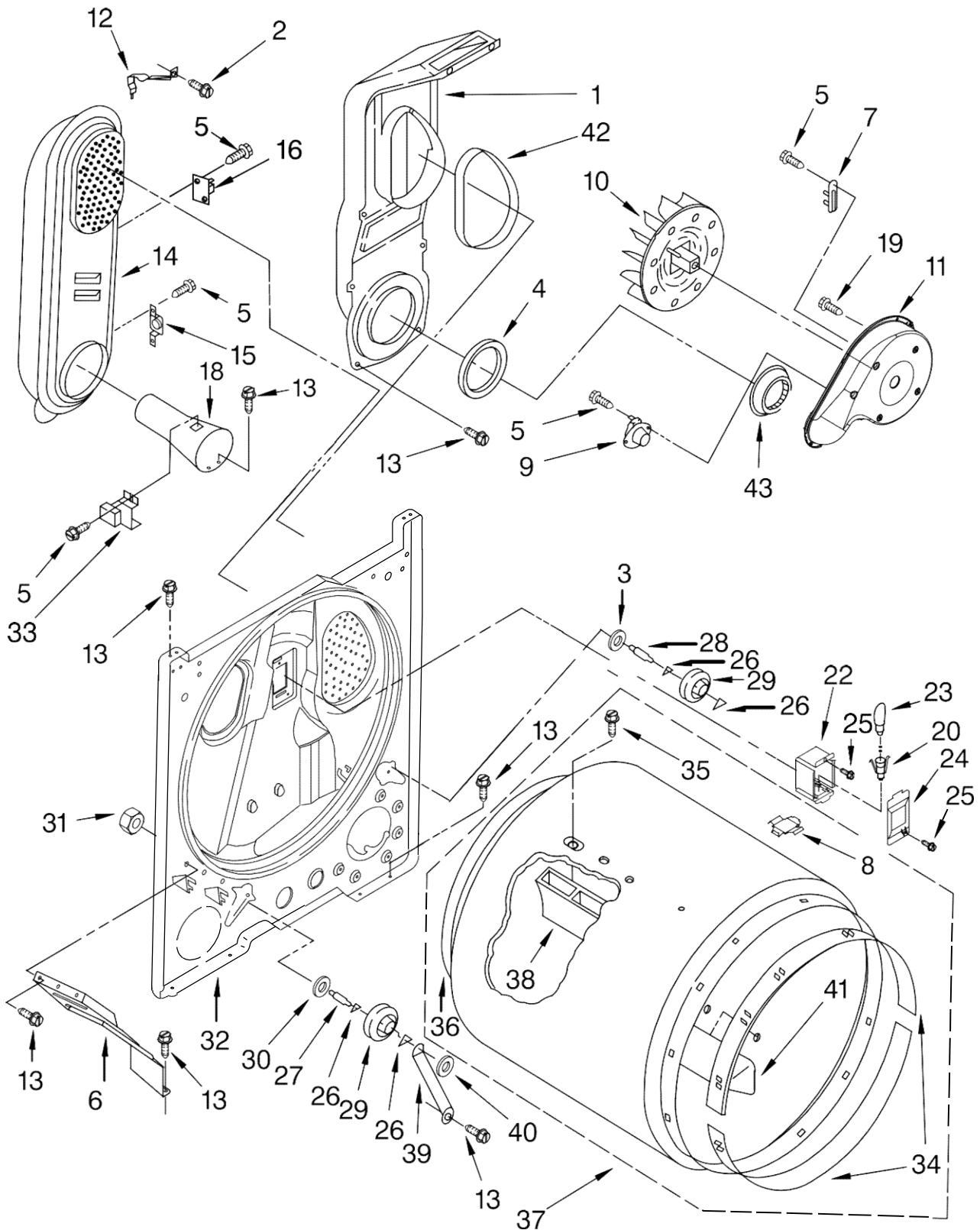


FOR ORDERING INFORMATION REFER TO PARTS PRICE LIST

SECADORA 7MWG66705WM1

Illus. No.	Part No.	DESCRIPTION	Illus. No.	Part No.	DESCRIPTION	Illus. No.	Part No.	DESCRIPTION
1	697776	Screw, 10-32 x 5/8 (External Ground)	18		Cabinet (Includes Illus. 4)	37		Handle, Door
2	3390631	Screw, 10-16 x .375					W10095180	White
3	3404162	Clamp, Motor (W/Shield)		8530603	White		W10095190	Biscuit
4	8541400	Bracket, Cabinet		8530606	Biscuit	38	3406129	Seal & Bearing Assembly
5	3396795	Cover, Block	19	98234	Clip, Ground (2)	45	344020	Cord, Power
6	693995	Screw, Hex Washer Head	20	690363	Lock, Front Top (2)	49		Plug, Front Panel
7	3396805	Panel, Rear	21		Panel Front		3394975	White
10	3406107	Door Switch Assembly		3395197	White		3394978	Biscuit
11	697773	Screw, 6-20 x 7/8		3977243	Biscuit	51	8066217	Hinge, Top (2)
12	3980175	Clamp-Elbow	23	685203	Clip, Felt Pad (2)	53	691366	Idler & Pulley Assembly
13	694091	Screw, 8-18 x 3/8	24	3389441	Catch, Door Assembly	56	8066065	Belt, Drive
14	W10041960	Spring, Door (2)	25	3390731	Seal, Door	57	348780	Base, Motor
15	3357011	Screw, 10-16 x 1/2	26	337189	Clip, Hinge (2)	58	3400500	Bolt, 5/16-18 x 3/4
16	3392100	Foot, Dryer	27	342043	Screw, 10-32 x 3/8	59	8066184	Pulley, 60 Hz.
	279810	Foot - Optional (Extended Length Package Of 2 (Not Included))	28	8066056	Hinge, R.H.	62	8066206	Motor Assembly 60 Hz.
				8066057	Hinge, L.H.	63	W10121316	Clamp, Motor
			29	3394083	Clip, Front Panel	67	8318272	Burner Assembly, 60 Hz. (See Pages 7 & 8 For Further Burner Breakdown)
			33	696144	Strike, Panel	68	341029	Clamp, Pipe
			35	695737	Door, Rear			
			36		Door, Front			
				3393549	White			
				3977241	Biscuit			

SECADORA 7MWG66705WM1



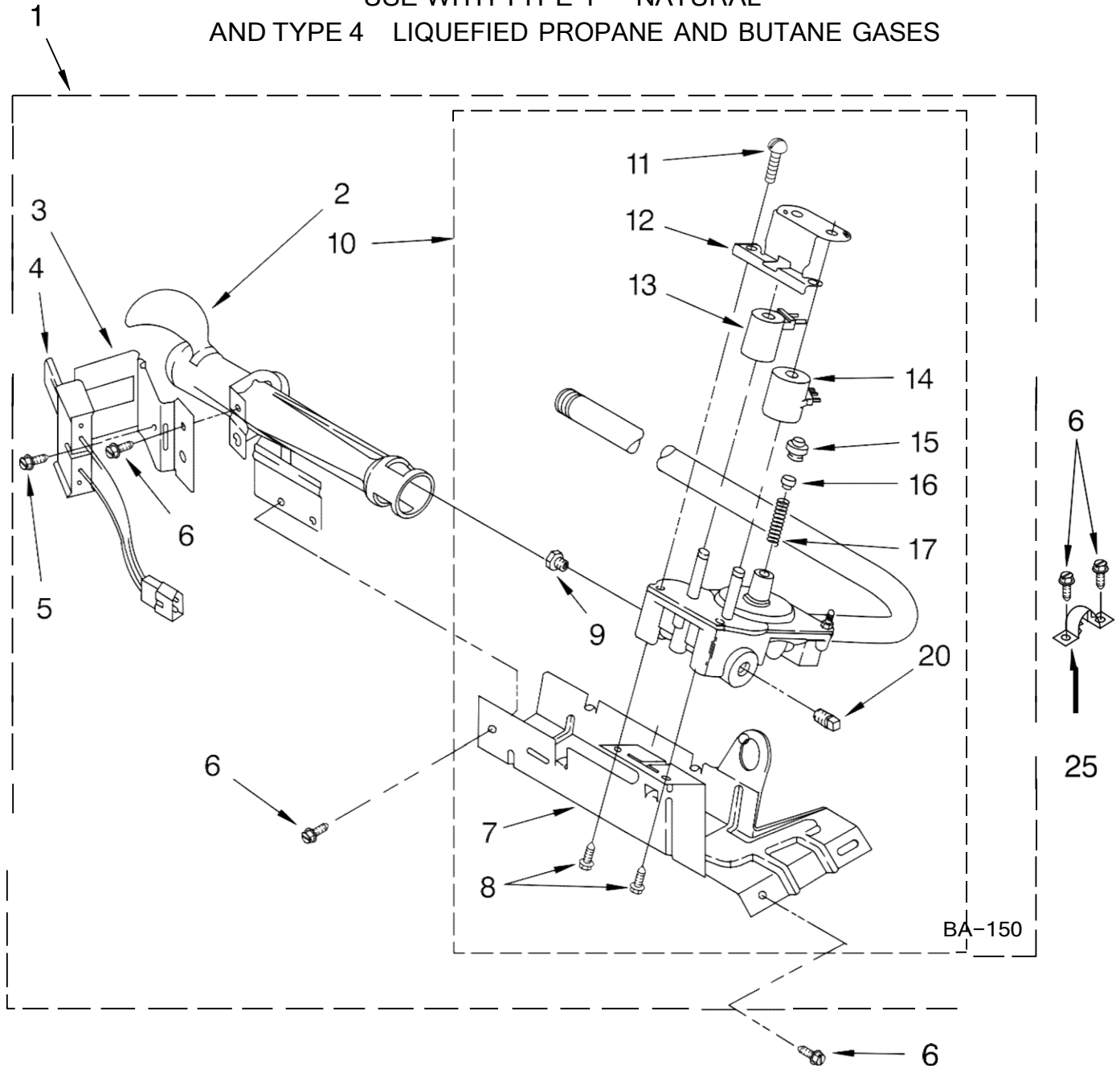
FOR ORDERING INFORMATION REFER TO PARTS PRICE LIST

SECADORA 7MWG66705WM1

Illus. No.	Part No.	DESCRIPTION
1	348368	Lint Chute Assembly
2	489463	Screw, 8-18 x 5/8
3	3388703	Washer-Support
4	347139	Seal, Lint Chute
5	90767	Screw, 8-18 x 3/8
6	3406022	Bracket, Bulkhead
7	3392519	Fuse, Thermal
8	8066086	Drum Hole Plug
9	3387134	Thermostat, Internal-Bias
10	694089	Wheel, Blower
11	8577230	Housing, Blower
12	8066155	Clip
13	3390631	Screw, 10-16 x .375
14	8530285	Box, Heater
15	3403140	Thermostat, 205°F (96°C)
16	280010	Kit, Thermal Cut-Off (Includes Illus. 15)
18	8066049	Funnel, Burner
19	3390647	Screw, 8-18 x 1/2
20	W10136369	Socket, Assembly
22	3977373	Bracket, Light
23	3406124	Bulb, Light
24	3402841	Lens, Light
25	487909	Screw, 8-15 x 1/2
26	690997	Ring, Tri
27	3399506	Shaft, L.H.
28	3399507	Shaft, R.H.
29	3397590	Roller, Support
30	348197	Washer, Support
31	3359452	Nut, 3/8-16
32	3403493	Bulkhead
33	338906	Sensor, Radiant
34	692526	Ring, Bearing
35	W10219342	Screw, 8-16 x .750
36	3406130	Seal, Rear Drum
37	695587	Drum Assembly
38	692490	Baffle, Drum (2)
39	3976434	Bracket, Support
40	90296	Clip
41	3403636	Baffle, Drum (1)
42	339956	Seal
43	696302	Shield, Exhaust

SECADORA 7MWG66705WM1

USE WITH TYPE 1 - NATURAL
AND TYPE 4 LIQUEFIED PROPANE AND BUTANE GASES



FOR ORDERING INFORMATION REFER TO PARTS PRICE LIST



SECADORA 7MWG66705WM1

USE WITH TYPE 1 – NATURAL
AND TYPE 4 LIQUEFIED PROPANE AND BUTANE GASES

Illus. No.	Part No.	DESCRIPTION
1	8318272	Burner Assembly 60 Hz. (Type 1) (White Rodgers)
2	688617	Tube, Burner
3	694298	Bracket, Ignitor
4	686590	Ignitor
5	3393909	Screw & Washer (8-32 x 5/8)
6	343641	Screw, 10-16 x 1/2
7	693986	Base, Burner
8	3387057	Screw, 8-18 x 3/8
9		Orifice, Burner
	234826	Type 1
	229742	Type 4 (Butane)
	234868	Type 4 (Propane)
10	8318277	Valve, 60 Hz. (Includes Pipe & Illus. #7)
11	694421	Screw, 8-32 x 1/2 (2)
12	694538	Bracket, Coil
13	694540	Coil, 60 Hz. (2 Terminal) (Main)
14	694539	Coil, 60 Hz. (Split) (3 Terminal) (Pilot Position)
15	694424	Leak Limiter
16	694423	Screw, Regulator Adjustment
17	694422	Spring, Regulator
20	239822	Plug, Pipe
25	341029	Clamp, Pipe

Following Parts Not Illustrated

694572 Conversion Kit
(Type 1)
to Type (4) L.P.G.

BA-150

FOR ORDERING INFORMATION REFER TO PARTS PRICE LIST

OPTIONAL PARTS (NOT INCLUDED)

For Model: 7MWG66705WM1, 7MWG66705WT1
(Designer White) (Biscuit)

Illus.	Part	
No.	No.	DESCRIPTION

ACCESSORY PARTS

279948	Kit, Dryer Repair
8522199	Kit, Dryer Vent Testing
346764	Kit, Hold-Down (Gas Dryer Mobile Home Installation)
3404351	Dry Rack

PAINT, TOUCH-UP (1/2oz.)

72017	White
4392899	Biscuit

PAINT, PRESSURIZED SPRAY (12 oz.)

350930	White
4392901	Biscuit
350938	Primer, Gray

PAINT, BULK (1 qt.)

799344	White (Uncut)
4392900	Biscuit (Uncut)

FOR ORDERING INFORMATION REFER TO PARTS PRICE LIST