

EXPLOSIONADO DE PARTES



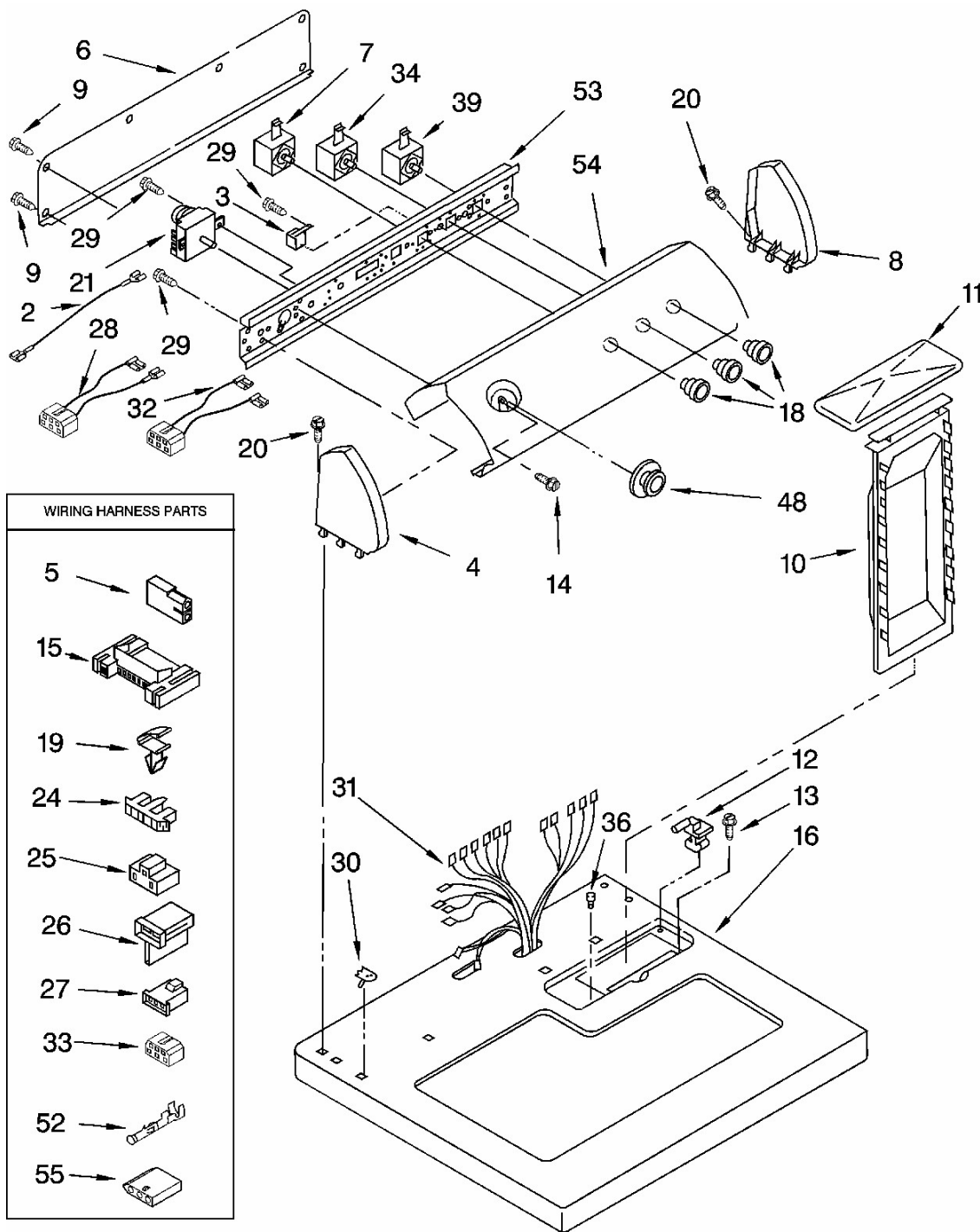
SECADORAS DE IMPORTACIÓN

Modelo:

7MWG66720SN0

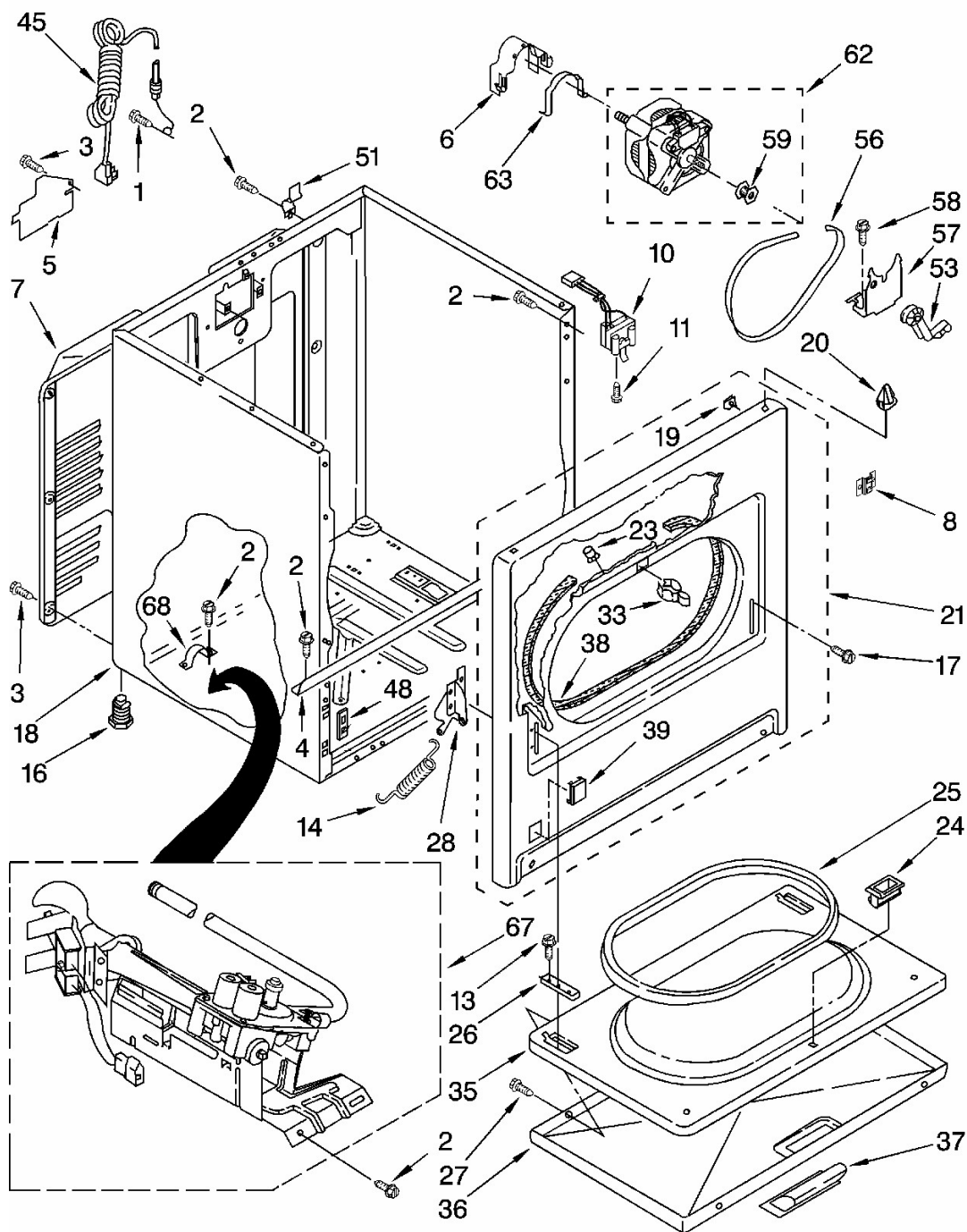
Marca	Whirlpool
Capacidad	11 kg
Color	Biscuit

TOP AND CONSOLE



Marca		Whirlpool	
Capacidad		11 kg	
Color		Biscuit	
R e f	Descripción	C a n t	Numero de Parte
TOP AND CONSOLE			
2	Wire, Jumper (Black)	1	3401684
3	Buzzer, Mini	1	694419
4	Cap, End (L.H.)	1	8565958
5	Plug, 2-Way Terminal	1	717252
6	Panel, Rear Console	1	8274261
7	Switch, Temperature	1	3399639
8	Cap, End (R.H.)	1	8565955
9	Screw, Hex Washer Head	1	489069
10	Handle & Lint Screen Assembly	1	8557858
11	Cover, Lint Screen	1	8283378
12	Hinge, R.H.	1	3978605
	Hinge, L.H.	1	3978606
13	Screw, 8-18 x 5/8	1	487240
14	Screw, Grounding	1	3400859
15	Connector (Motor)	1	3395683
16	Top	1	W10028910
18	Knob, Control (3) (White)	2	8565947
19	Clip-Harness	1	3394427
20	Screw, Console	1	388326
21	Timer Assembly (60 Hz.)	1	8299766
24	Connector-Timer	1	3397269
25	Connector, (PTS Relay)	1	3401144
26	Connector, 2-Position (Gas Valve)	1	3403499
27	Connector, 3-Position (Gas Valve)	1	3403498
28	Wire, Jumper (Guard On/Off)	1	3397695
29	Screw, 8-18 x 5/16	1	3390646
30	Nut, Push-In (2)	2	357213
31	Harness, Wiring	1	8299879
32	Wire, Jumper (Temperature)	1	8539893
33	Connector 6-Circuit	1	3347243
34	Switch, Finish Guard	1	3405156
36	Bumper, Lint Lid	1	17258
39	Switch, Push-To-Start	1	3398095
48	Timer Knob Assembly (White)	1	8566064
52	Terminal, Female	1	94614
53	Bracket, Control	1	8271418
ACCESSORY PARTS			
	Kit, Dryer Repair	*	4392065
	Kit, Dryer Vent Testing	*	8522199
	Kit, Hold-Down (Gas Dryer Mobile Home Installation)	*	346764
	Dry Rack	*	3406839

Marca	Whirlpool
Capacidad	11 kg
Color	Biscuit
CABINET	

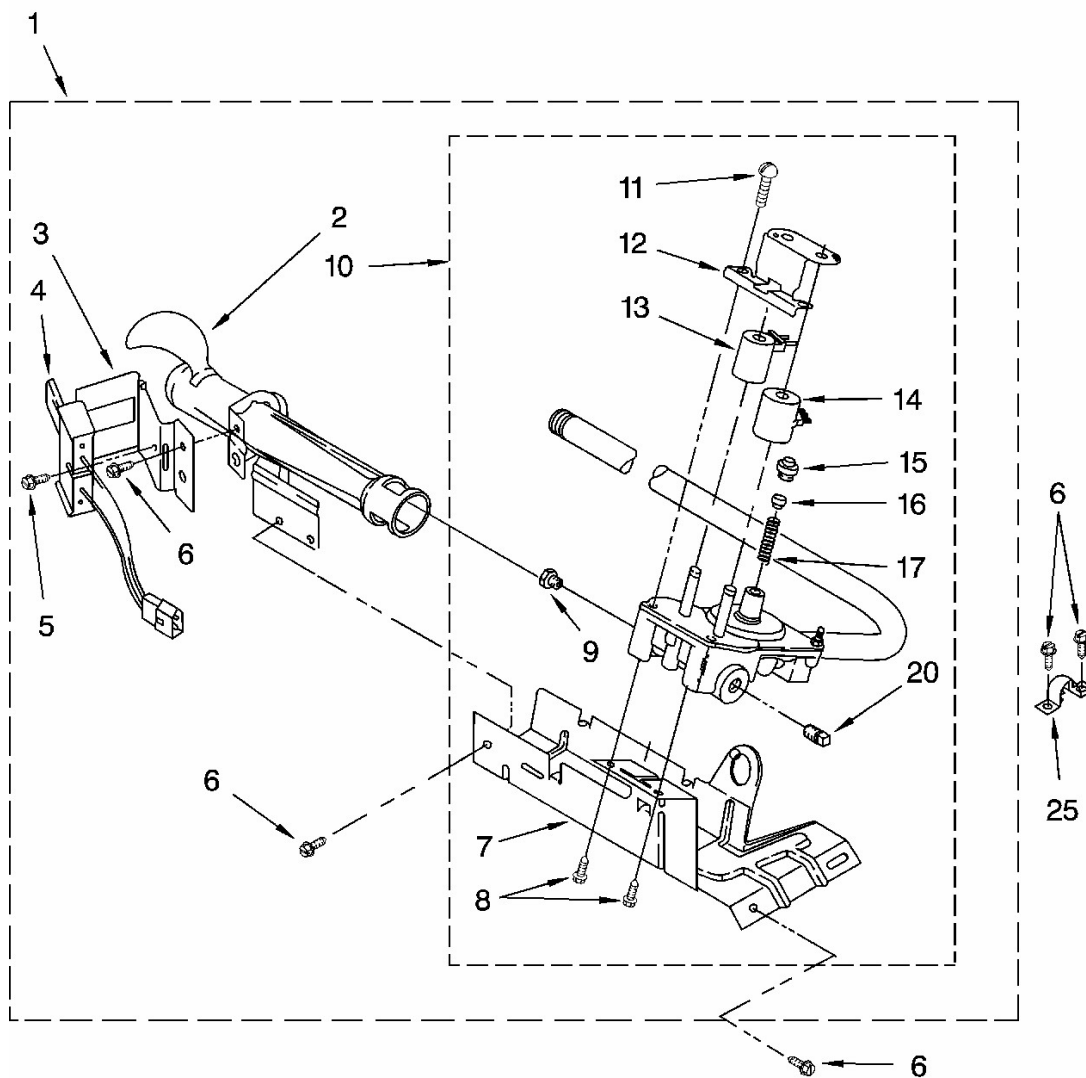


Marca		Whirlpool	
Capacidad		11 kg	
Color		Biscuit	
R e f	Descripción	C a n t	Numero de Parte
CABINET			
1	Screw, 10-32 x 5/8 (External Ground)	1	4331106
2	Screw, 10-16 x 1/2	1	681414
3	Screw, Hex Head	1	489069
4	Bracket, Cabinet	1	8541400
5	Cover, Block	1	3396795
6	Clamp, Motor (W/Shield)	1	3404162
7	Panel, Rear	1	280043
8	Clip, Door Spring	1	8546676
10	Door Switch Assembly	1	3406109
11	Screw, 6-20 x 7/8	1	3395530
13	Screw, 10-16 x 1/2	1	308685
14	Spring, Door (2)	2	8541401
16	Foot, Dryer	1	3392100
	Foot-Optional (Extended Length) (Package of 2) (Not Included.)	1	279810
17	Screw, 10-32 x 3/8	1	486146
18	Cabinet (Includes Illus. 4) (White)	1	8533643
19	Clip, Ground (2)	2	98234
20	Lock, Front Top (2)	2	18776
21	Panel Front (White)	1	279740
23	Clip, Felt Pad (2)	2	279220
24	Catch, Door Assembly	1	3389441
25	Seal, Door	1	3390731
26	Clip, Hinge (2)	2	337189
27	Screw, 8-18 x 3/8	1	694091
28	Hinge, R.H.	1	8066056
	Hinge, L.H.	1	8066057
33	Strike, Panel	1	279570
35	Door, Rear	1	695737
36	Door, Front (White)	1	3393549
37	Handle, Door (White)	1	3977242
38	Seal & Bearing Assembly	1	3406129
39	Plug, Front Panel (White)	1	3394978
45	Cord, Power	1	3401402
48	Clip, Front Panel	1	3394083
51	Hinge, Top (2)	2	238088
53	Idler & Pulley Assembly	1	691366
56	Belt, Drive	1	341241

Marca		Whirlpool	
Capacidad		11 kg	
Color		Biscuit	
R e f	Descripción	C a n t	Numero de Parte
CABINET			
57	Base, Motor	1	687079
58	Bolt, 5/16-18 x 3/4	1	3400500
59	Pulley, 60 Hz.	1	3394341
62	Motor Assembly 60 Hz.	1	8066206
63	Clamp, Motor	1	343481
67	Burner Assembly, 60 Hz. (See Pages 7 & 8 For Further Burner Bre	1	279990
68	Clamp, Pipe	1	341029

Marca	Whirlpool
Capacidad	11 kg
Color	Biscuit

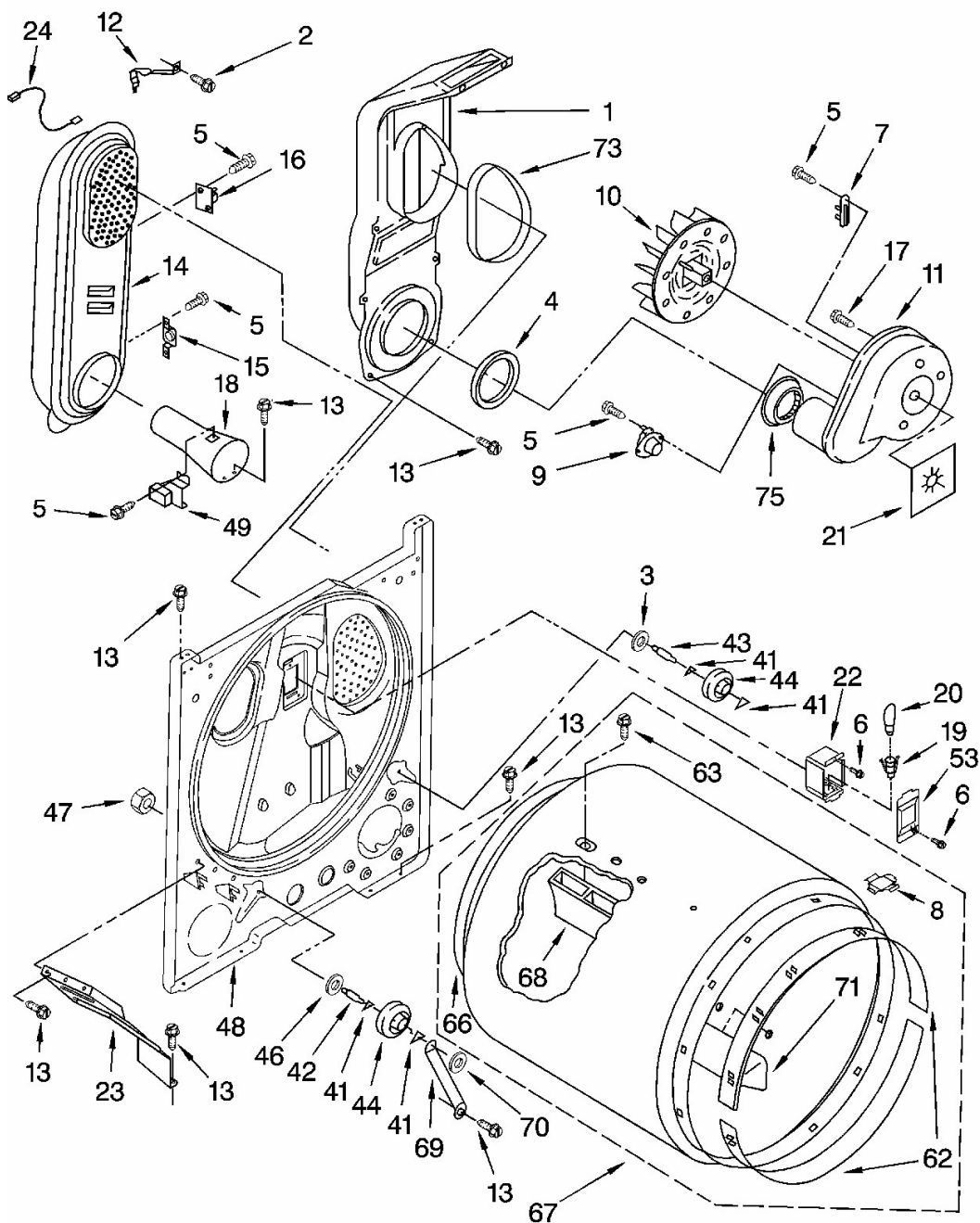
BURNER ASSEMBLY



Marca		Whirlpool	
Capacidad		11 kg	
Color		Biscuit	
R e f	Descripción	C a n t	Numero de Parte
BURNER ASSEMBLY			
1	Burner Assembly 60 Hz. (Type 1) (White Rodgers)	1	279990
2	Tube, Burner	1	693140
3	Bracket, Ignitor	1	694298
4	Ignitor	1	279311
5	Screw & Washer (8-32 x 5/8)	1	3393909
6	Screw, 10-16 x 1/2	1	681414
7	Base, Burner	1	693986
8	Screw, 8-18 x 3/8	1	90767
9	Orifice, Burner (Type 4 (Butane))	1	229742
	Orifice, Burner (Type 4 (Propane))	1	234868
10	Valve, 60 Hz. (Includes Pipe & Illus. 7)	1	8318277
11	Screw, 8-32 x 1/2 (2)	2	694421
12	Bracket, Coil	1	694538
13	Coil, 60 Hz. (2 Terminal) (Main)	1	694540
14	Coil, 60 Hz. (Split) (3 Terminal) (Pilot Position)	1	694539
15	Leak Limiter	1	694424
16	Screw, Regulator Adjustment	1	694423
17	Spring, Regulator	1	694422
20	Plug, Pipe	1	239822
25	Clamp, Pipe	1	341029
	Conversion Kit (Type 1) to Type (4) L.P.G.	*	49572

Marca	Whirlpool
Capacidad	11 kg
Color	Biscuit

BULKHEAD



Marca		Whirlpool	
Capacidad		11 kg	
Color		Biscuit	
R e f	Descripción	C a n t	Numero de Parte
BULKHEAD			
1	Lint Chute Assembly	1	3396352
2	Screw, 8-18 x 5/8	1	489463
3	Washer-Support	1	3388703
4	Seal, Lint Chute	1	347139
5	Screw, 8-18 x 3/8	1	90767
6	Screw, 8-15 x 1/2	1	488729
7	Fuse, Thermal	1	3392519
8	Drum Hole Plug	1	8066086
9	Thermostat, Internal-Bias	1	3387134
10	Wheel, Blower (Includes Illus. 21)	1	279711
11	Housing, Blower	1	8577230
12	Clip	1	279771
13	Screw, 10-16 x 1/2	1	681414
14	Box, Heater	1	279980
15	Thermostat, 205 F (96 C)	1	3403140
16	Kit, Thermal Cut-Off (Includes Illus. 15)	1	280010
17	Screw, 8-18 x 1/2	1	488729
18	Funnel, Burner	1	8066049
19	Socket Assembly	1	3403634
20	Bulb	1	17512
21	Seal, Blower	1	3394196
22	Bracket, Drum Light	1	3977373
23	Bracket, Bulkhead	1	3406022
24	Wire, Jumper	1	3401707
41	Ring, Tri	1	690997
42	Shaft, L.H.	1	3399506
43	Shaft, R.H.	1	339489
44	Roller, Support	1	349241T
46	Washer, Support	1	348197
47	Nut, 3/8-16	1	3359452
48	Bulkhead	1	3403493
49	Sensor, Radiant	1	338906
53	Lens, Drum Light	1	8532165
62	Ring, Bearing	1	279441
63	Screw, 11-16 x 3/4	1	63027
66	Seal, Rear Drum	1	279857
67	Drum Assembly	1	695587
68	Baffle, Drum (2)	2	692490
69	Bracket, Support	1	3976434



SECADORA 7MWG66720SN0

Marca		Whirlpool	
Capacidad		11 kg	
Color		Biscuit	
R e f	Descripción	C a n t	Numero de Parte
BULKHEAD			
70	Clip	1	90296
71	Baffle, Drum (1)	1	3403636
73	Seal	1	339956
75	Shield, Exhaust	1	69302