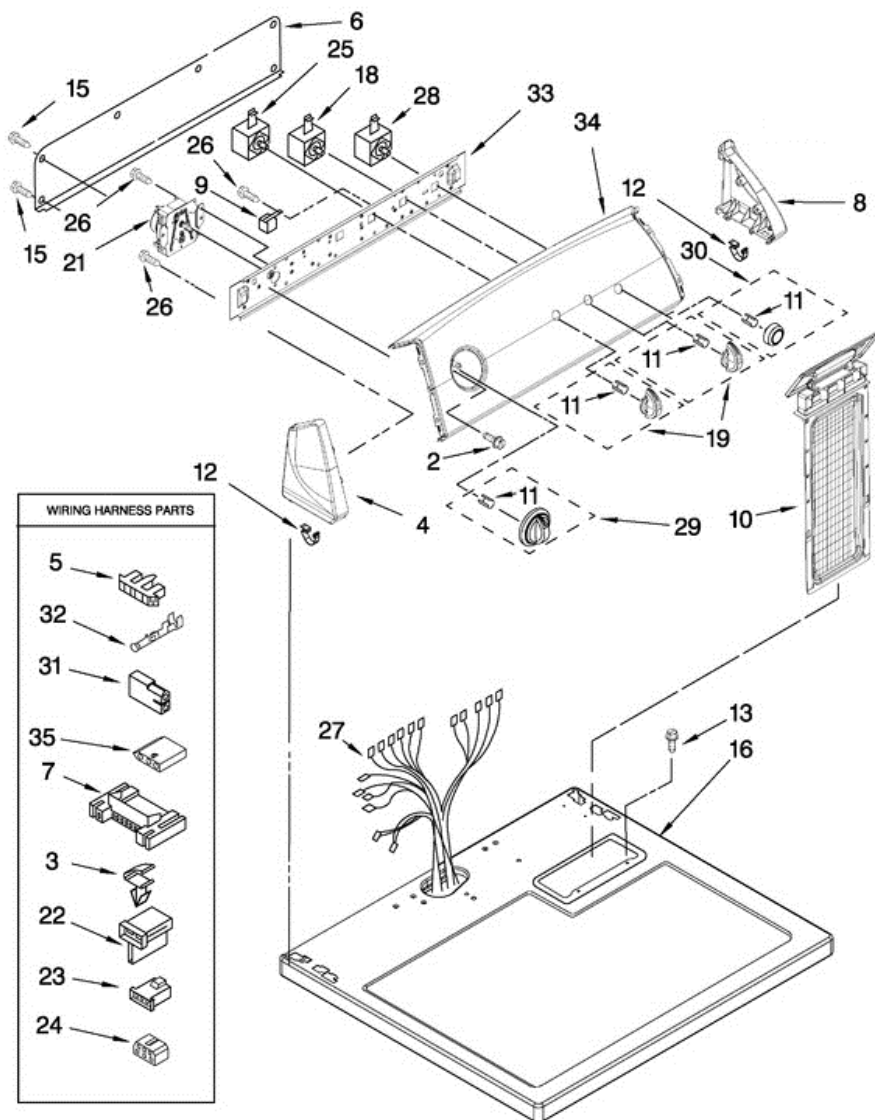


Distribuidor Autorizado

SurteRápido.com

Venta de Refacciones
Electrodomesticas

7MWG66725WW1 TABLERO





7MWG66725WW1 TABLERO

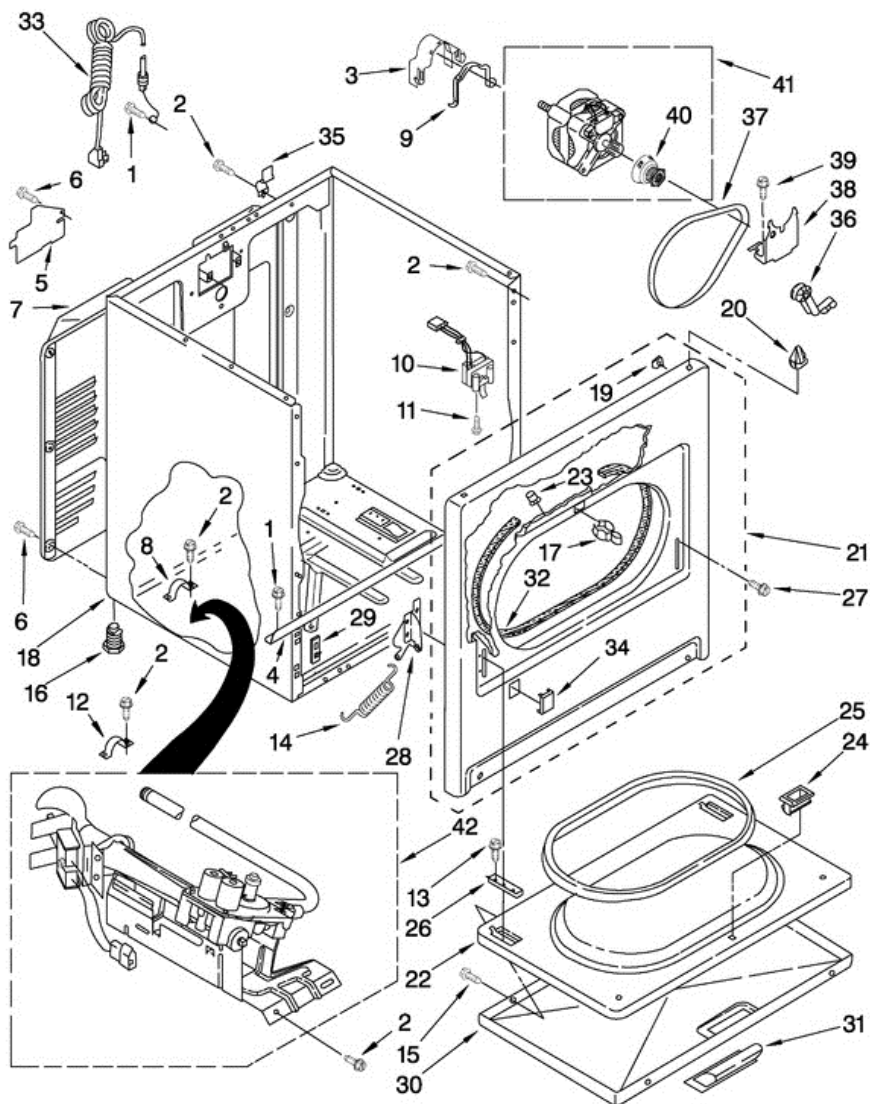
2	8533951	SCREW, GROUNDING
3	3394427	CLIP-HARNESS
4	8566035	CAP, END (L.H.)
5	3397269	CONNECTOR, TIMER
6	8274261	PANEL, REAR CONSOLE
7	3395683	HOUSING, CONNECTOR (MOTOR)
8	8566032	CAP, END (R.H.)
9	694419	BUZZER, MINI
10	8557857	LINT SCREEN
11	8536939	CLIP, SPRING
12	8312709	CLIP, CONSOLE
13	688983	SCREW, 8-18 X 5/8
15	693995	SCREW, HEX HEAD
16	8559800	TOP
18	3405156	SWITCH, END OF CYCLE
19	W10034380	KNOB, CONTROL (2)
21	W10185981	TIMER ASSEMBLY (60 HZ.)
22	3403499	CONNECTOR, 2-POSITION GAS VALVE
23	3403498	CONNECTOR, 3-POSITION (GAS VALVE)
24	3347243	CONNECTOR 6-CIRCUIT
25	3399639	SWITCH, TEMPERATURE
26	8533971	SCREW, 8-18 X 5/16
27	W10186121	HARNESS, WIRING
28	3398095	SWITCH, PUSH-TO-START
29	W10034750	TIMER KNOB ASSEMBLY
30	W10034790	KNOB, PUSH-TO-START
31	717252	RECEPTACLE, 2 WAY
32	94614	TERMINAL (FEMALE)
33	8566052	BRACKET, CONTROL
34	W10244062	PANEL, CONTROL
35	3936144	CONNECTOR

Distribuidor Autorizado

SurteRápido.com

Venta de Refacciones
Electrodomesticas

7MWG66725WW1 GABINETE





7MWG66725WW1 GABINETE

1	3390631	SCREW, 10-16 X .375
2	343641	SCREW, 10-16 X 1/2
3	3404162	CLAMP, MOTOR (W/SHIELD)
4	8541400	BRACKET, CABINET
5	3396795	COVER, BLOCK
6	693995	SCREW, HEX WASHER HEAD
7	3396805	PANEL, REAR
8	341029	CLAMP, PIPE DOOR SPRING
9	W10121316	CLAMP, MOTOR
10	3406107	DOOR SWITCH ASSEMBLY
11	697773	SCREW, 6-20 X 7/8
12	3980175	CLAMP, ELBOW
13	694091	SCREW, 8-18 X 3/8
14	W10041960	SPRING, DOOR (2)
15	3357011	SCREW, 10-16 X 1/2
16	3392100	FOOT, DRYER
17	696144	STRIKE, PANEL
18	8530603	CABINET (INCLUDES ILLUS. 4)
19	98234	CLIP, GROUND (2)
20	690363	LOCK, FRONT TOP (2)
21	3395197	PANEL, FRONT
22	695737	DOOR, REAR
23	685203	CLIP, FELT PAD (2)
24	3389441	CATCH, DOOR ASSEMBLY
25	3390731	SEAL, DOOR
26	337189	CLIP, HINGE (2)
27	342043	SCREW, 10-32 X 3/8
28	8066056	HINGE, R.H.
28	8066057	HINGE, L.H.
29	3394083	CLIP, FRONT PANEL
30	3393549	DOOR, FRONT
31	W10095180	HANDLE, DOOR
32	3406129	SEAL & BEARING ASSEMBLY

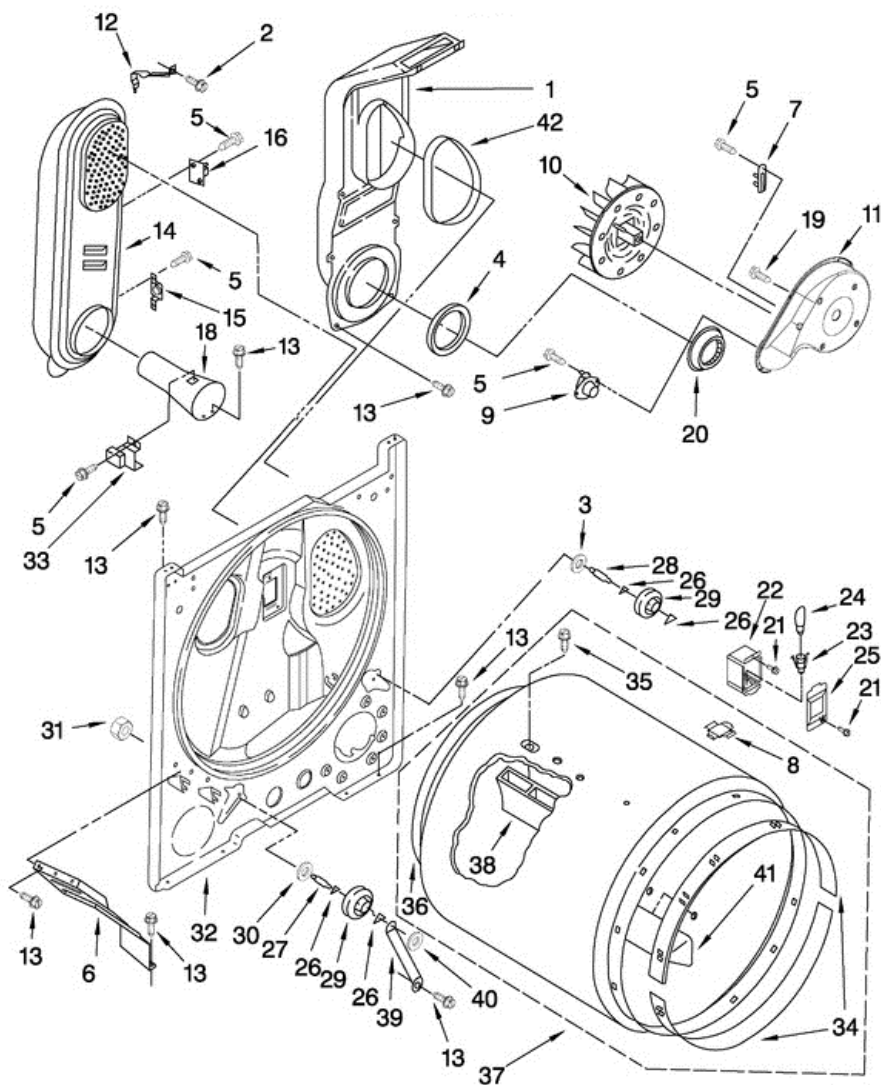
33	344020	CORD, POWER
34	3394975	PLUG, FRONT PANEL
35	8066217	HINGE, TOP (2)
36	691366	IDLER & PULLEY ASSEMBLY
37	W10131364	BELT, DRIVE
38	348780	BASE, MOTOR
39	3400500	BOLT, 5/16-18 X 3/4
40	691367	PULLEY, 60 HZ.
41	8066206	MOTOR ASSEMBLY 60 HZ.
42	8318272	BURNER ASSEMBLY, 60 HZ.
NI	279810	FOOT-OPTIONAL

Distribuidor Autorizado

SurteRápido.com

Venta de Refacciones
Electrodomesticas

7MWG66725WW1 TAMBOR



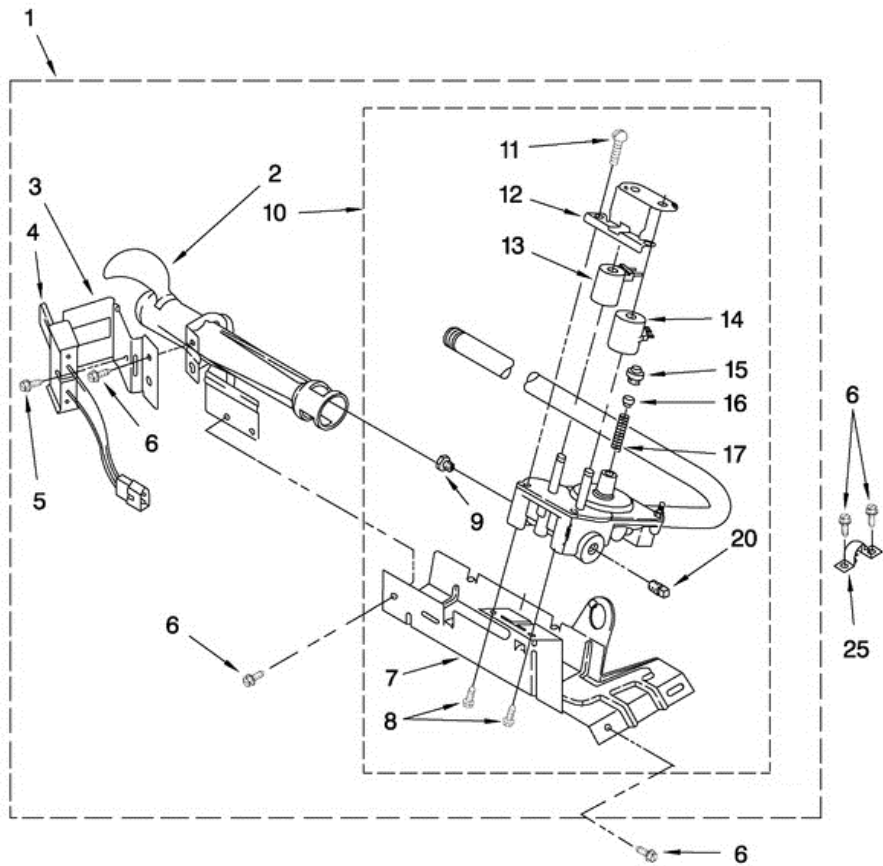


7MWG66725WW1 TAMBOR

1	348368	LINT CHUTE ASSEMBLY
2	489463	SCREW, 8-18 X 5/8
3	3388703	WASHER, SUPPORT
4	347139	SEAL, LINT CHUTE
5	90767	SCREW, 8-18 X 3/8
6	3406022	BRACKET, BULKHEAD
7	3392519	FUSE, THERMAL
8	8066086	DRUM HOLE PLUG
9	3387134	THERMOSTAT, INTERNAL-BIAS
10	694089	WHEEL, BLOWER (INCLUDES ILLUS. 21)
11	8577230	HOUSING, BLOWER
12	8066155	CLIP
13	343641	SCREW, 10-16 X 1/2
14	8530285	BOX, HEATER
15	3403140	THERMOSTAT, 205Å°F (96Å°C)
16	3977394	KIT, THERMAL CUT-OFF (INCLUDES ILLUS. 15)
18	8066049	FUNNEL, BURNER
19	3390647	SCREW, 8-18 X 1/2
20	696302	SHIELD, EXHAUST
21	487909	SCREW, 8-15 X 1/2
22	3977373	BRACKET, LIGHT
23	W10136369	SOCKET, LIGHT
24	3406124	BULB, LIGHT
25	3402841	LENS, LIGHT
26	690997	RING, TRI
27	3399506	SHAFT, L.H.
28	3399507	SHAFT, R.H.
29	3397590	ROLLER, SUPPORT
30	348197	WASHER, SUPPORT
31	3359452	NUT, 3/8-16
32	3403493	BULKHEAD
33	338906	SENSOR, RADIANT
34	692526	RING, BEARING

35	W10219342	SCREW, 8-16 X.750
36	3406130	SEAL, REAR DRUM
37	695587	DRUM ASSEMBLY
38	692490	BAFFLE, DRUM (2)
39	3976434	BRACKET, SUPPORT
40	90296	CLIP
41	3403636	BAFFLE, DRUM (1)
42	339956	SEAL

7MWG66725WW1 QUEMADOR





7MWG66725WW1 QUEMADOR

1	8318272	BURNER ASSEMBLY 60 HZ.(TYPE 1)
2	688617	TUBE, BURNER
3	694298	BRACKET, IGNITOR
4	686590	IGNITOR
5	3393909	SCREW & WASHER (8-32 X 5/8)
6	343641	SCREW, 10-16 X 1/2
7	693986	BASE, BURNER
8	3387057	SCREW, 8-18 X 3/8
9	229742	ORIFICE, BURNER (TYPE 4 (BUTANE))
9	234826	ORIFICE, BURNER TYPE 1
9	234868	ORIFICE, BURNER (TYPE 4 (PROPANE))
10	8318277	VALVE, 60 HZ. (INCLUDES PIPE & ILLUS. NO.7)
11	694421	SCREW, 8-32 X 1/2 (2)
12	694538	BRACKET, COIL
13	694540	COIL, 60 HZ. (2 TERMINAL) (MAIN)
14	694539	COIL, 60 HZ. (SPLIT) (3 TERMINAL) (PILOT POSITION)
15	694424	LEAK, LIMITER
16	694423	SCREW, REGULATOR ADJUSTMENT
17	694422	SPRING, REGULATOR
20	239822	PLUG, PIPE
25	341029	CLAMP, PIPE
NI	694572	CONVERSION KIT (TYPE 1) TO TYPE (4) L.P.G.