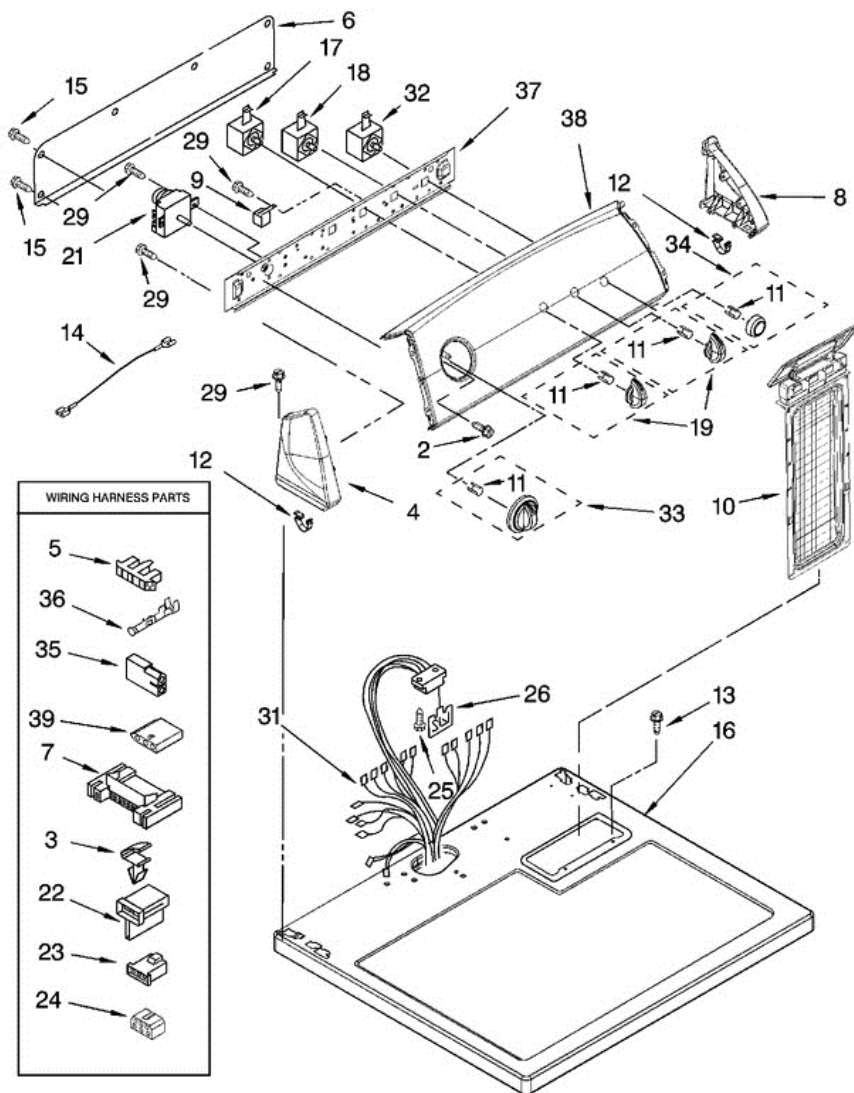


Distribuidor Autorizado

SurteRápido.com

Venta de Refacciones
Electrodomesticas

7MWG66740SW0 TABLERO





7MWG66740SW0 TABLERO

2	8533951	SCREW, GROUNDING
3	3394427	CLIP-HARNESS
4	8565957	CAP, END (L.H.) (FOR WHITE MODELS)
4	8565958	CAP, END (L.H.) (BISCUIT)
5	3397269	CONNECTOR, TIMER
6	8274261	PANEL, REAR CONSOLE
7	3395683	HOUSING, CONNECTOR (MOTOR)
8	8565954	CAP, END (R.H.) (FOR WHITE MODELS)
8	8565955	CAP, END (R.H.) (BISCUIT)
9	694419	BUZZER, MINI
10	8557857	LINT SCREEN (WHITE)
10	8557858	LINT SCREEN (BISCUIT)
11	8536939	CLIP, SPRING
12	8312709	CLIP, CONSOLE
13	688983	SCREW, 8-18 X 5/8
14	3401684	WIRE, JUMPER (BLACK)
15	693995	SCREW, HEX HEAD
16	8559800	TOP (FOR WHITE MODELS)
16	8563660	TOP (BISCUIT)
17	3405155	SWITCH, TEMPERATURE
18	3405154	SWITCH, END OF CYCLE
19	8565944	KNOB, CONTROL (FOR WHITE MODELS)
19	8565947	KNOB, CONTROL (BISCUIT)
21	3406725	TIMER ASSEMBLY (60 HZ.)
22	3403499	CONNECTOR, 2-POSITION GAS VALVE
23	3403498	CONNECTOR, 3-POSITION (GAS VALVE)
24	3347243	CONNECTOR 6-CIRCUIT
25	359625	SCREW, 8-18 X 1/2
26	8558178	C-VERSION CONTROL
29	8533971	SCREW, 8-18 X 5/16
31	8299891	HARNESS, WIRING
32	3398095	SWITCH, PUSH-TO-START
33	8566061	TIMER KNOB ASSEMBLY (FOR WHITE MODELS)

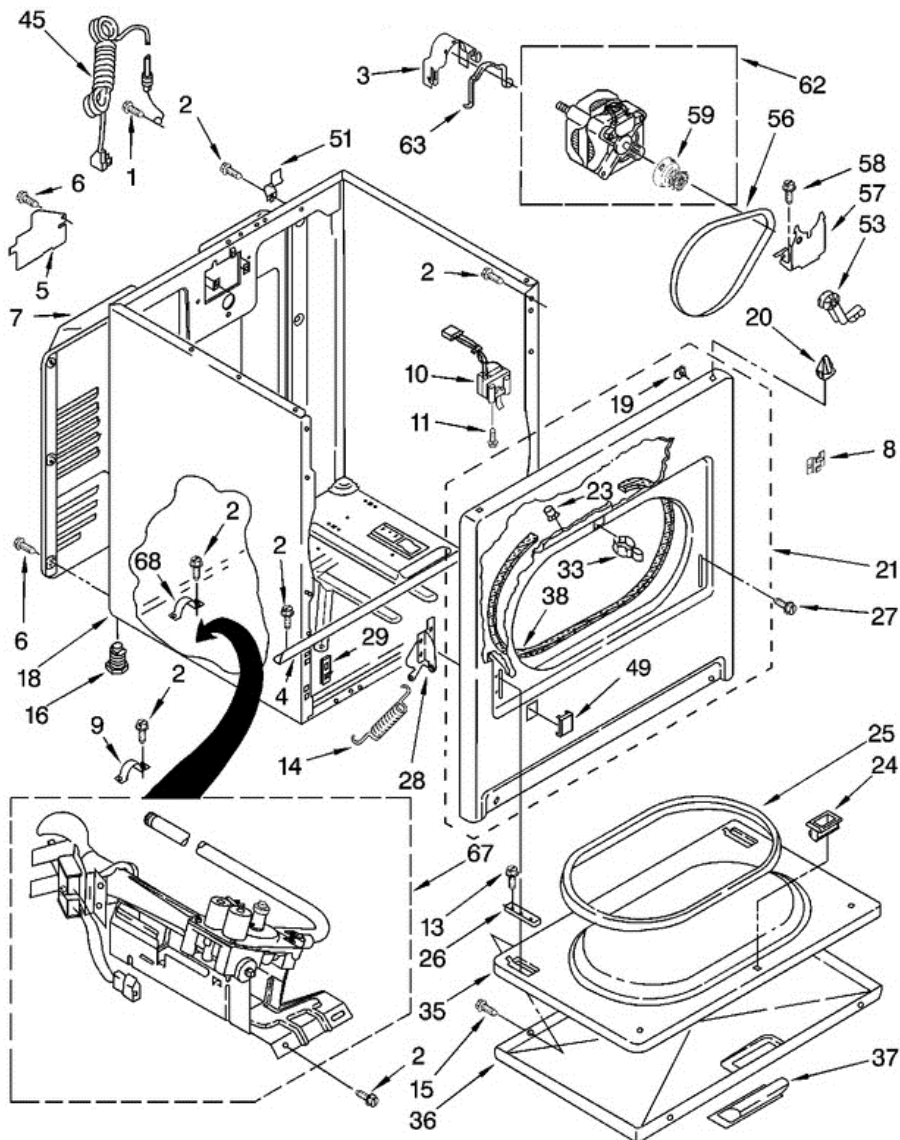
33	8566064	TIMER KNOB ASSEMBLY (BISCUIT)
34	8566073	KNOB, PUSH-TO-START (FOR WHITE MODELS)
34	8566076	KNOB, PUSH-TO-START (BISCUIT)
35	717252	RECEPTACLE, 2 WAY
36	94614	TERMINAL (FEMALE)
37	8566052	BRACKET, CONTROL
38	8543041	PANEL, CONTROL (FOR MODEL 6670SW0)
38	8543042	PANEL, CONTROL (BISCUIT)
38	8543043	PANEL, CONTROL (FOR MODEL 66740SM0)
39	3936144	CONNECTOR

Distribuidor Autorizado

SurteRápido.com

Venta de Refacciones
Electrodomesticas

7MWG66740SW0 GABINETE





7MWG66740SW0 GABINETE

1	697776	SCREW, 10-32 X 5/8 (EXTERNAL GROUND)
2	343641	SCREW, 10-16 X 1/2
3	3404162	CLAMP, MOTOR (W/SHIELD)
4	8541400	BRACKET, CABINET
5	3396795	COVER, BLOCK
6	693995	SCREW, HEX WASHER HEAD
7	3396805	PANEL, REAR
8	8546676	CLIP, DOOR SPRING
9	3980175	CLAMP, ELBOW
10	3406109	DOOR SWITCH ASSEMBLY
11	697773	SCREW, 6-20 X 7/8
13	694091	SCREW, 8-18 X 3/8
14	8541401	SPRING, DOOR (2)
15	3357011	SCREW, 10-16 X 1/2
16	279810	FOOT-OPTIONAL
16	3392100	FOOT, DRYER
19	98234	CLIP, GROUND (2)
20	690363	LOCK, FRONT TOP (2)
21	8557200	PANEL FRONT (FOR WHITE MODELS)
21	8557202	PANEL FRONT (BISCUIT)
23	685203	CLIP, FELT PAD (2)
24	3389441	CATCH, DOOR ASSEMBLY
25	3390731	SEAL, DOOR
26	337189	CLIP, HINGE (2)
27	342043	SCREW, 10-32 X 3/8
28	8066056	HINGE, R.H.
28	8066057	HINGE, L.H.
29	3394083	CLIP, FRONT PANEL
33	696144	STRIKE, PANEL
35	695737	DOOR, REAR
36	3393549	DOOR, FRONT (FOR WHITE MODELS)
36	3977241	DOOR, FRONT (BISCUIT)
37	3977242	HANDLE, DOOR (BISCUIT)

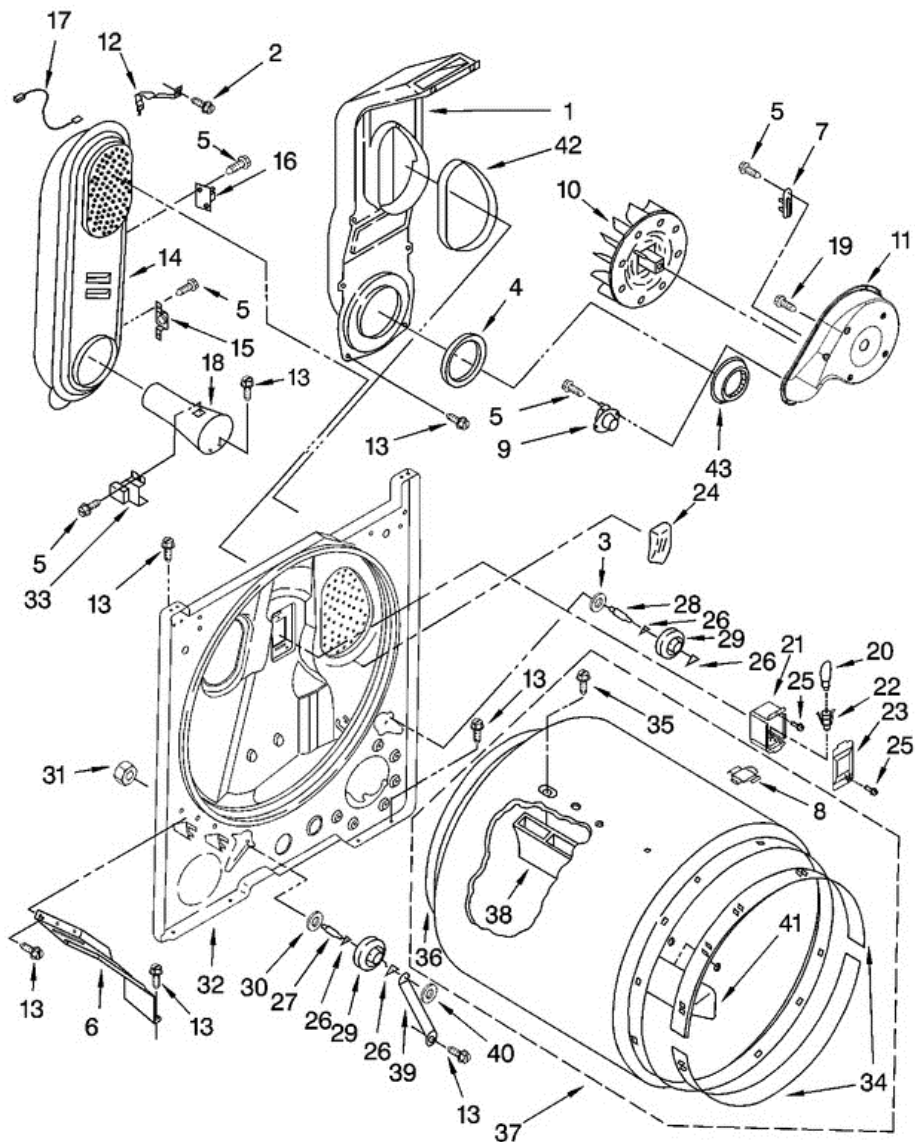
37	690270	HANDLE, DOOR (FOR WHITE MODELS)
38	3406129	SEAL & BEARING ASSEMBLY
45	344020	CORD, POWER
49	3394975	PLUG, FRONT PANEL (FOR WHITE MODELS)
49	3394978	PLUG, FRONT PANEL (BISCUIT)
51	8066217	HINGE, TOP (2)
53	691366	IDLER & PULLEY ASSEMBLY
56	8066065	BELT, DRIVE
57	348780	BASE, MOTOR
58	3400500	BOLT, 5/16-18 X 3/4
59	8066184	PULLEY 60 HZ.
62	8066206	MOTOR ASSEMBLY 60 HZ.
63	660658	CLAMP, MOTOR
67	8318272	BURNER ASSEMBLY, 60 HZ.
68	341029	CLAMP, PIPE

Distribuidor Autorizado

SurteRápido.com

Venta de Refacciones
Electrodomesticas

7MWG66740SW0 TAMBOR



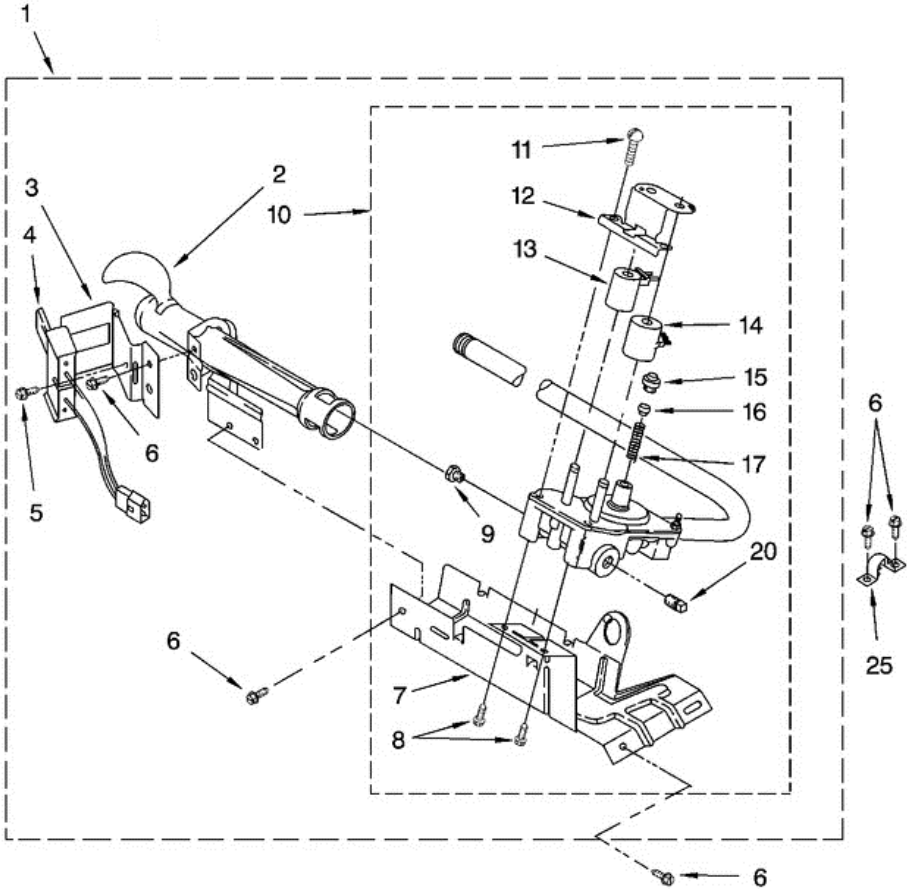


7MWG66740SW0 TAMBOR

1	348368	LINT CHUTE ASSEMBLY
2	489463	SCREW, 8-18 X 5/8
3	3388703	WASHER, SUPPORT
4	347139	SEAL, LINT CHUTE
5	90767	SCREW, 8-18 X 3/8
6	3406022	BRACKET, BULKHEAD
7	3392519	FUSE, THERMAL
8	8066086	DRUM HOLE PLUG
9	3387134	THERMOSTAT, INTERNAL-BIAS
10	694089	WHEEL, BLOWER
11	8577230	HOUSING, BLOWER
12	8066155	CLIP
13	343641	SCREW, 10-16 X 1/2
14	8530285	BOX, HEATER
15	3403140	THERMOSTAT, 205Å°F (96Å°C)
16	280010	KIT, THERMAL CUT-OFF (INCLUDES ILLUS. 15)
17	3401707	WIRE, JUMPER
18	8066049	FUNNEL, BURNER
19	3390647	SCREW, 8-18 X 1/2
20	3406124	LIGHT BULB
21	3977373	BRACKET, LIGHT
22	3403634	SOCKET ASSEMBLY
23	3402841	LENS, LIGHT
24	3976479	PAD SENSOR
25	487909	SCREW, 8-15 X 1/2
26	690997	RING, TRI
27	3399506	SHAFT, L.H.
28	3399507	SHAFT, R.H.
29	3397590	ROLLER, SUPPORT
30	348197	WASHER, SUPPORT
31	3359452	NUT, 3/8-16
32	3403494	BULKHEAD
33	338906	SENSOR, RADIANT

34	692526	RING, BEARING
35	97787	SCREW, 11-16 X 3/4
36	3406130	SEAL, REAR DRUM
37	695587	DRUM ASSEMBLY
38	692490	BAFFLE, DRUM (2)
39	3976434	BRACKET, SUPPORT
40	90296	CLIP
41	3403636	BAFFLE, DRUM (1)
42	339956	SEAL
43	696302	SHIELD, EXHAUST

7MWG66740SW0 QUEMADOR





7MWG66740SW0 QUEMADOR

1	8318272	BURNER ASSEMBLY 60 HZ.(TYPE 1)
2	688617	TUBE, BURNER
3	694298	BRACKET, IGNITOR
4	686590	IGNITOR
5	3393909	SCREW & WASHER (8-32 X 5/8)
6	343641	SCREW, 10-16 X 1/2
7	693986	BASE, BURNER
8	3387057	SCREW, 8-18 X 3/8
9	229742	ORIFICE, BURNER (TYPE 4 (BUTANE))
9	234826	ORIFICE, BURNER TYPE 1
9	234868	ORIFICE, BURNER (TYPE 4 (PROPANE))
10	8318277	VALVE, 60 HZ. (INCLUDES PIPE & ILLUS. 7)
11	694421	SCREW, BRACKET MOUNTING (8-32 X 1/2) (2)
12	694538	BRACKET, COIL
13	694540	COIL, 60 HZ. (2 TERMINAL) (MAIN)
14	694539	COIL, 60 HZ. (SPLIT) (3 TERMINAL) (PILOT POSITION)
15	694424	LEAK, LIMITER
16	694423	SCREW, REGULATOR ADJUSTMENT
17	694422	SPRING, REGULATOR
20	239822	PLUG, PIPE
25	341029	CLAMP, PIPE
25	694572	CONVERSION KIT (TYPE 1) TO TYPE (4) L.P.G.