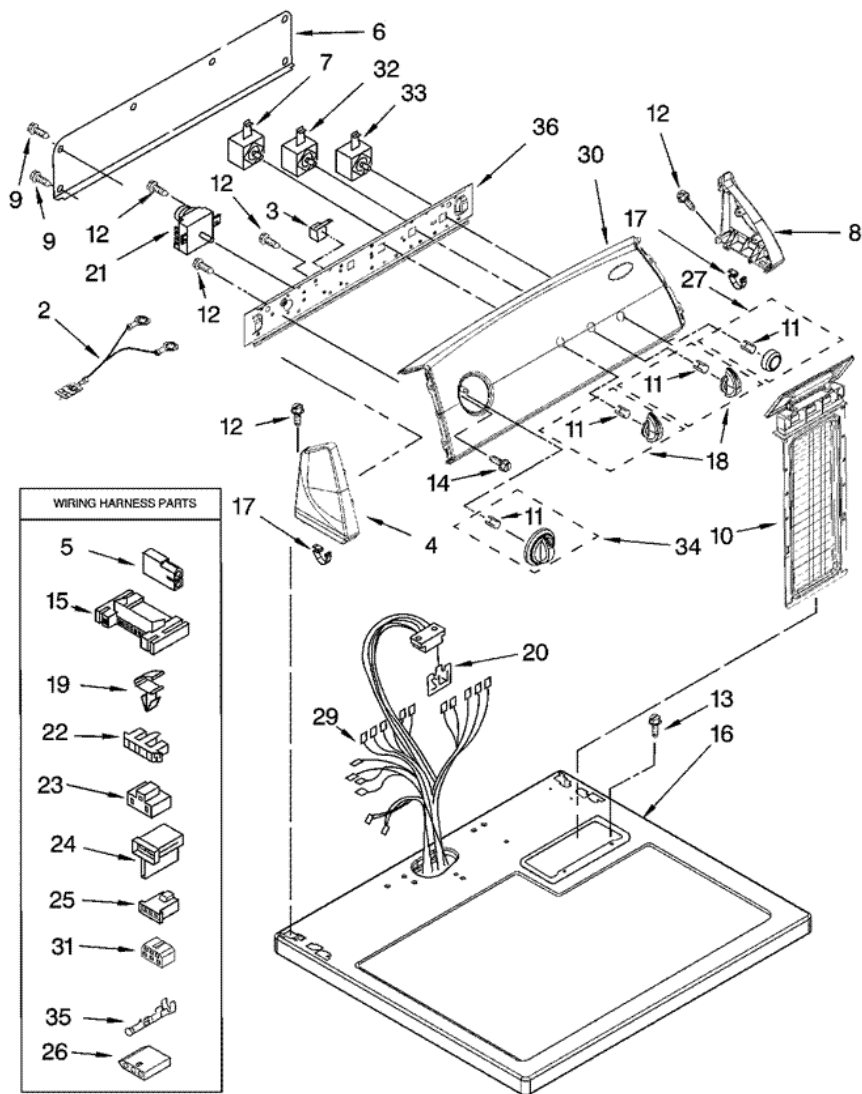


Distribuidor Autorizado

SurteRápido.com

Venta de Refacciones  
Electrodomesticas

## 7MWG99930VW0 TABLERO





## 7MWG99930VW0 TABLERO

1	8299791	WIRING DIAGRAM
1	8565897	USE & CARE GUIDE
1	W10213650	SHEET, CYCLE FEATURE A76
1	W10217871	INSTRUCTIONS, INSTALLATION
2	3401668	WIRE, JUMPER (BLACK)
3	3398093	BUZZER, MINI
4	8566035	CAP, END (L.H.) (WHITE)
4	W10205959	CAP, END (L.H.) (MAGNA RED)
5	717252	PLUG, 2-WAY TERMINAL
6	8274261	PANEL, REAR CONSOLE
7	3405155	SWITCH, TEMPERATURE
8	8566032	CAP, END (R.H.) (WHITE)
8	W10205953	CAP, END (R.H.) (MAGNA RED)
9	693995	SCREW, HEX WASHER HEAD
10	8557857	SCREEN, LINT (WHITE)
10	W10205825	SCREEN, LINT (MAGNA RED)
11	8536939	CLIP, SPRING
12	8533971	SCREW, 8-18 X 5/16
13	688983	SCREW, 8-18 X 5/8
14	8533951	SCREW, GROUNDING
15	3395683	CONNECTOR (MOTOR)
16	8559800	TOP (WHITE)
16	W10214597	TOP (MAGNA RED)
17	8312709	CLIP, CONSOLE
18	W10034380	KNOB, CONTROL (2)
19	3394427	CLIP, HARNESS
20	8558178	C-VERSION CONTROL
21	3406725	TIMER ASSEMBLY 60 HZ.
22	3397269	CONNECTOR, TIMER
23	3401144	CONNECTOR, (PTS RELAY)
24	3403499	CONNECTOR, 2-POSITION GAS VALVE
25	3403498	CONNECTOR, 3-POSITION (GAS VALVE)
26	3936144	CONNECTOR

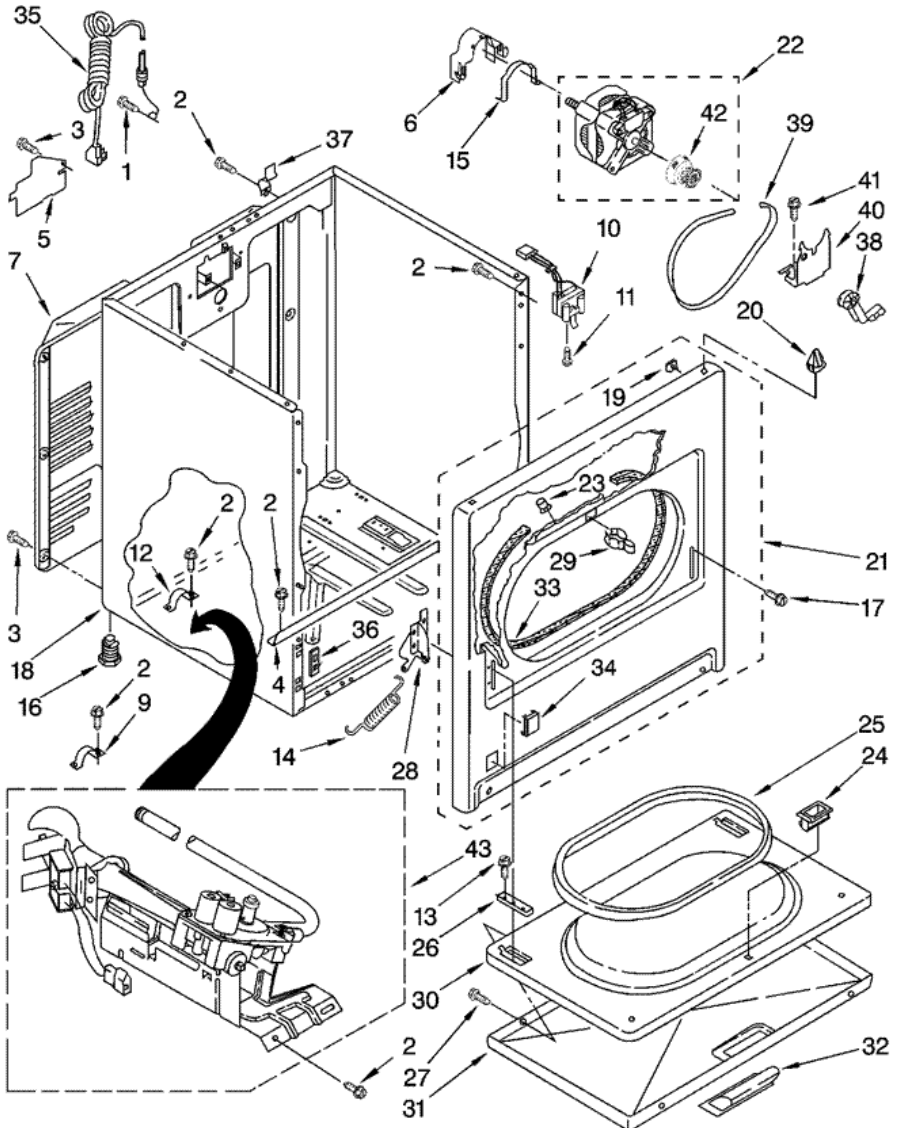
27	W10034770	KNOB, PUSH-TO-START
29	8299891	HARNESS, WIRING
30	W10209019	PANEL, CONTROL
31	3347243	CONNECTOR 6-CIRCUIT
32	3405154	SWITCH, WRINKLE SHIELD
33	3398094	SWITCH, PUSH-TO-START
34	W10034750	TIMER KNOB ASSEMBLY
35	94614	TERMINAL (FEMALE)
36	8566052	BRACKET, CONTROL

Distribuidor Autorizado

SurteRápido.com

Venta de Refacciones  
Electrodomesticas

## 7MWG99930VW0 GABINETE



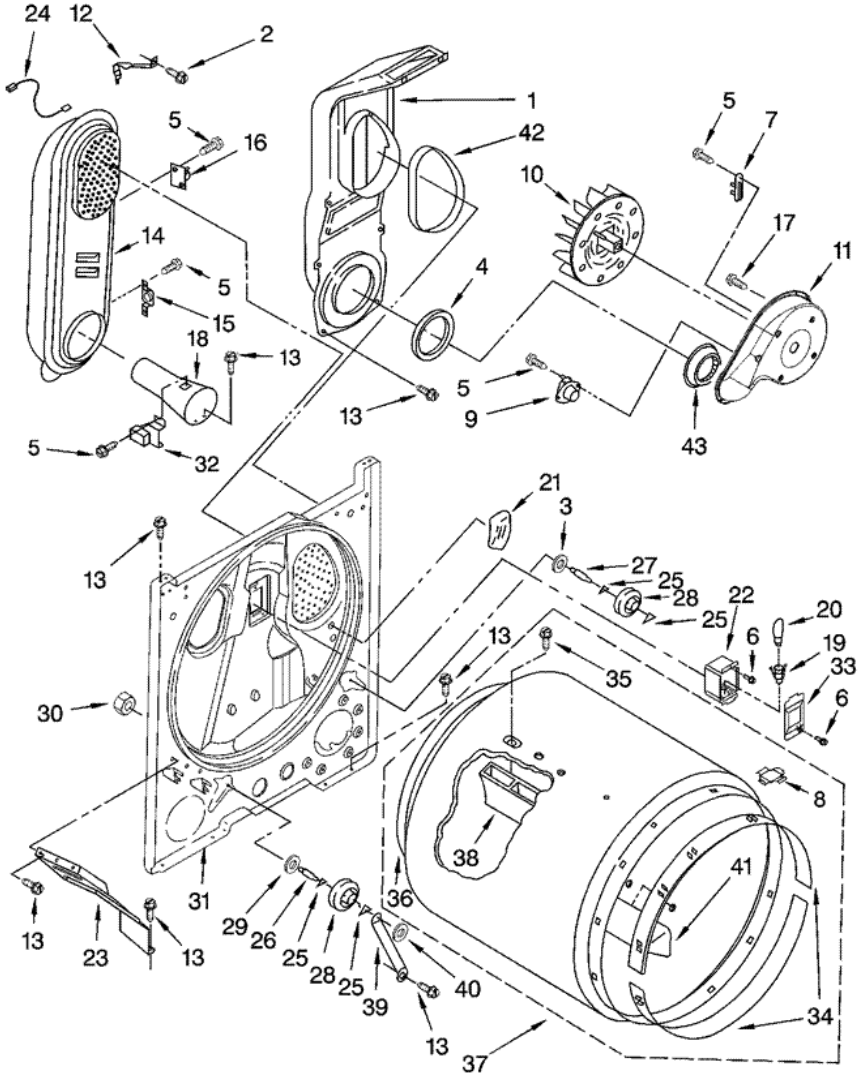


## 7MWG99930VW0 GABINETE

1	697776	SCREW, 10-32 X 5/8 (EXTERNAL GROUND)
2	343641	SCREW, 10-16 X 1/2
3	693995	SCREW, HEX HEAD
4	8541400	BRACKET, CABINET
5	3396795	COVER, BLOCK
6	3404162	CLAMP, MOTOR (W/SHIELD)
7	3396805	PANEL, REAR
9	3980175	CLAMP, ELBOW (BURNER)
10	3406107	DOOR, SWITCH ASSEMBLY
11	697773	SCREW, 6-20 X 7/8
12	341029	CLAMP, PIPE
13	3357011	SCREW, 10-16 X 1/2
14	W10041960	SPRING, DOOR (2)
15	W10121316	CLAMP, MOTOR
16	279810	FOOT - OPTIONAL
16	3392100	FOOT, DRYER
17	342043	SCREW, 10-32 X 3/8
18	8530603	CABINET (INCLUDES ILLUS. 4) (WHITE)
18	W10208295	CABINET (INCLUDES ILLUS. 4) (MAGNA RED)
19	98234	CLIP, GROUND (2)
20	690363	LOCK, FRONT TOP (2)
21	3395197	PANEL FRONT (WHITE)
21	W10208304	PANEL, FRONT (MAGNA RED)
22	8066206	MOTOR ASSEMBLY 60 HZ.
23	685203	CLIP, FELT PAD (2)
24	3389441	CATCH, DOOR ASSEMBLY
25	3390731	SEAL, DOOR
26	337189	CLIP, HINGE (2)
27	694091	SCREW, 8-18 X 3/8
28	8066056	HINGE, R.H.
28	8066057	HINGE, L.H.
29	696144	STRIKE, PANEL
30	695737	DOOR, REAR

31	3393549	DOOR, FRONT (WHITE)
31	W10205714	DOOR, FRONT (MAGNA RED)
32	W10095180	HANDLE, DOOR (WHITE)
32	W10205821	HANDLE, DOOR (MAGNA RED)
33	3406129	SEAL & BEARING ASSEMBLY
34	3394975	PLUG, FRONT PANEL (WHITE)
34	W10205814	PLUG, FRONT PANEL (MAGNA RED)
35	344020	CORD, POWER
36	3394083	CLIP, FRONT PANEL
37	8066217	HINGE, TOP (2)
38	691366	IDLER & PULLEY ASSEMBLY
39	W10131364	BELT, DRIVE
40	348780	BASE, MOTOR
41	3400500	BOLT, 5/16-18 X 3/4
42	8066184	PULLEY, 60 HZ.
43	8318272	BURNER ASSEMBLY, 60 HZ.

**7MWG99930VW0 TAMBOR**





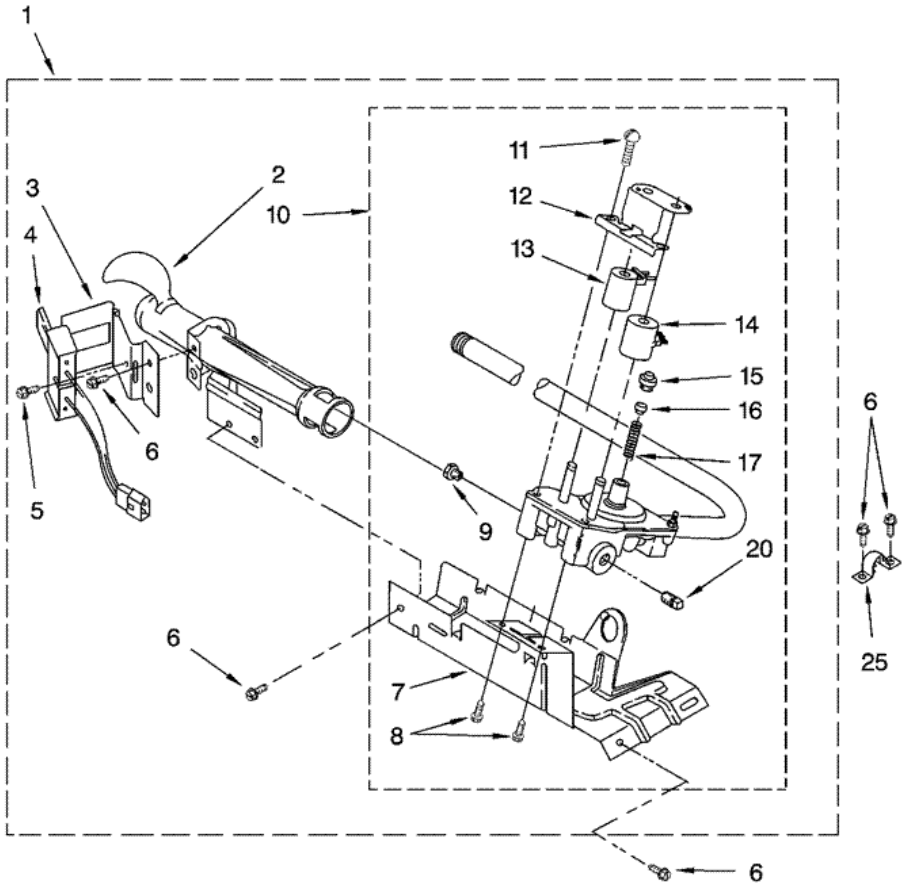
## 7MWG99930VW0 TAMBOR

1	348368	LINT CHUTE ASSEMBLY
2	489463	SCREW, 8-18 X 5/8
3	3388703	WASHER-SUPPORT
4	347139	SEAL, LINT CHUTE
5	90767	SCREW, 8-18 X 3/8
6	487909	SCREW, 8-15 X 1/2
7	3392519	FUSE, THERMAL
8	8066086	DRUM, HOLE PLUG
9	8318268	THERMOSTAT, INTERNAL-BIAS
10	694089	WHEEL, BLOWER
11	8577230	HOUSING, BLOWER
12	3398161	CLIP
13	343641	SCREW, 10-16 X 1/2
14	8530285	BOX, HEATER
15	3403140	THERMOSTAT, 205-F (96~C)
16	280010	KIT, THERMAL CUT-OFF (INCLUDES ILLUS. 15)
17	3390647	SCREW, 8-18 X 1/2
18	8066049	FUNNEL, BURNER
19	W10136369	SOCKET ASSEMBLY
20	3406124	BULB
21	3976479	PAD, SENSOR
22	3977373	BRACKET, DRUM LIGHT
23	3406022	BRACKET, BULKHEAD
24	3401707	WIRE, JUMPER
25	690997	RING, TRI
26	3399506	SHAFT, L.H.
27	3399507	SHAFT, R.H.
28	3397590	ROLLER, SUPPORT
29	348197	WASHER, SUPPORT
30	3359452	NUT, 3/8-16
31	3403414	BULKHEAD
32	338906	SENSOR, RADIANT
33	3402841	LENS, DRUM LIGHT



34	692526	RING, BEARING
35	W10219342	SCREW, 8-16 X 1/2
36	3406130	SEAL, REAR DRUM
37	695587	DRUM ASSEMBLY
38	692490	BAFFLE, DRUM (2)
39	3976434	BRACKET, SUPPORT
40	90296	CLIP
41	3403636	BAFFLE, DRUM (1)
42	339956	SEAL
43	696302	SHIELD, EXHAUST

**7MWG99930VW0 QUEMADOR**





## 7MWG99930VW0 QUEMADOR

1	8318272	BURNER ASSEMBLY 60 HZ. (TYPE 1)
2	688617	TUBE, BURNER
3	694298	BRACKET, IGNITOR
4	686590	IGNITOR
5	3393909	SCREW & WASHER (8-32 X 5/8)
6	343641	SCREW, 10-16 X 1/2
7	693986	BASE, BURNER
8	3387057	SCREW, 8-18 X 3/8
9	229742	ORIFICE, BURNER (TYPE 4 (BUTANE))
9	234826	ORIFICE, BURNER (TYPE 1)
9	234868	ORIFICE, BURNER (TYPE 4 (PROPANE))
10	8318277	VALVE, 60 HZ. (INCLUDES PIPE & ILLUS. 7)
11	694421	SCREW, 8-32 X 1/2 (2)
12	694538	BRACKET, COIL
13	694540	COIL, 60 HZ. (2 TERMINAL) (MAIN)
14	694539	COIL, 60 HZ. (SPLIT) (3 TERMINAL) (PILOT POSITION)
15	694424	LEAK LIMITER
16	694423	SCREW, REGULATOR ADJUSTMENT
17	694422	SPRING, REGULATOR
20	239822	PLUG, PIPE
25	341029	CLAMP, PIPE