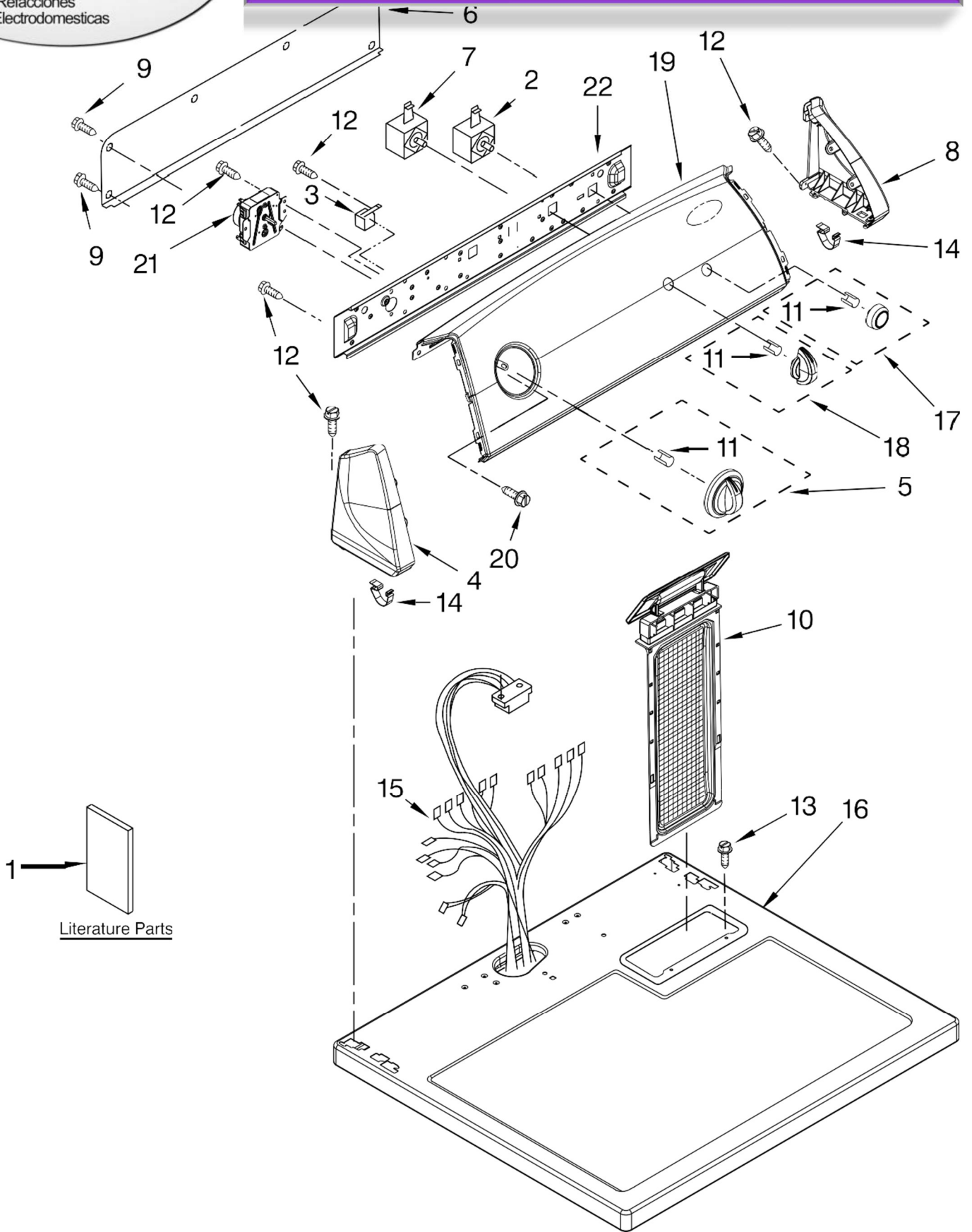


Distribuidor Autorizado

SurteRápido.com

Venta de Refacciones
Electrodomesticas

SECADORA 7MWGD1501AW0



Literature Parts

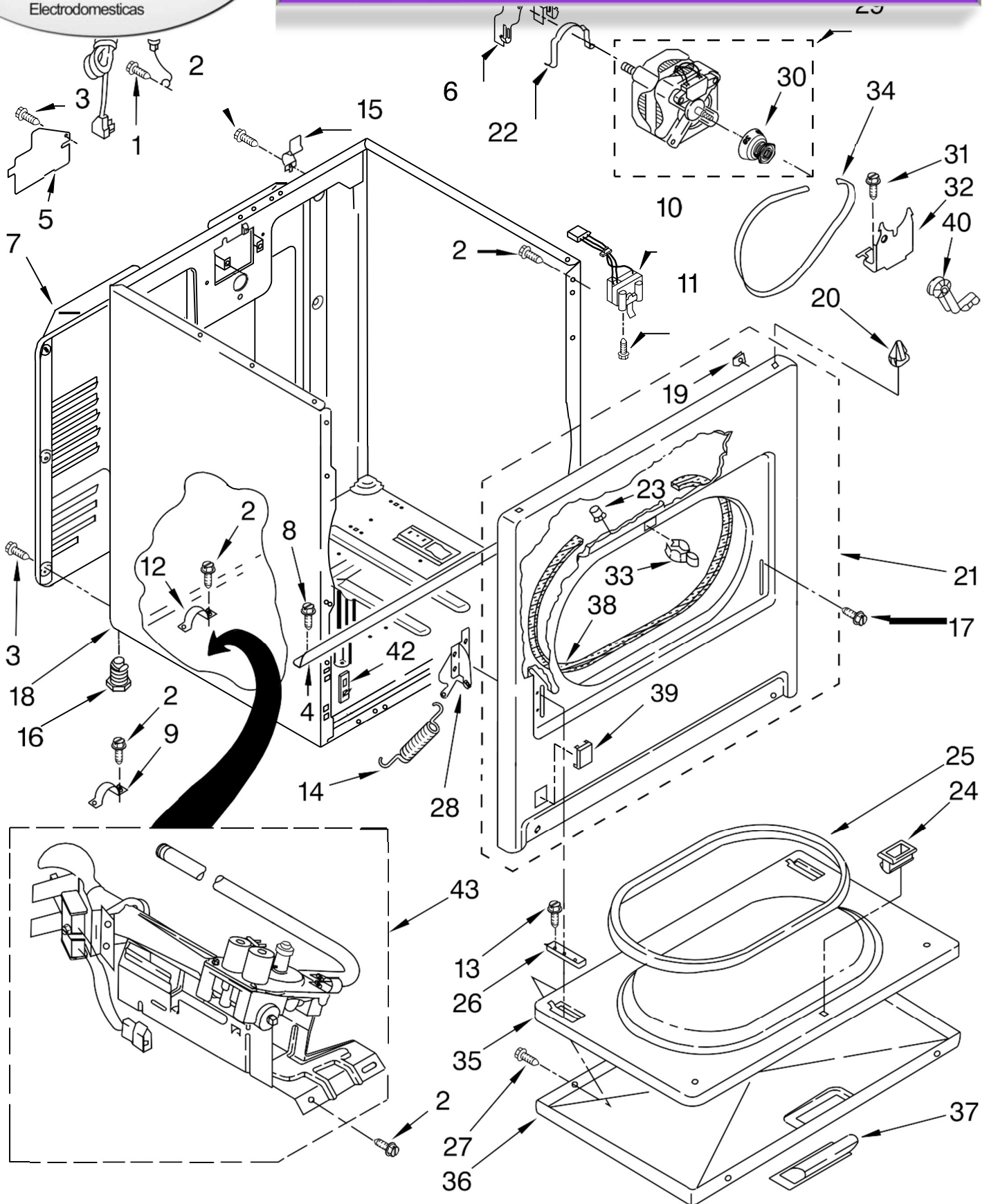
FOR ORDERING INFORMATION REFER TO PARTS PRICE LIST



SECADORA 7MWGD1501AW0

| Illus. No. | Part No. | DESCRIPTION |
|------------|-----------|---|
| 1 | W10329763 | Literature Parts Instructions, Installation |
| | W10470333 | Use & Care Guide |
| | 8576796 | Wiring Diagram |
| 2 | 3977456 | Switch, Push To Start |
| 3 | 694419 | Buzzer, Mini |
| 4 | 8566035 | Cap, End (L.H.) |
| 5 | W10034750 | Knob, Timer Assembly |
| 6 | W10103406 | Panel, Rear Console |
| 7 | 3405152 | Switch, Rotary |
| 8 | 8566032 | Cap, End (R.H.) |
| 9 | 693995 | Screw, Hex Washer Head |
| 10 | 8557857 | Screen, Lint |
| 11 | 8536939 | Clip, Spring |
| 12 | 3348629 | Screw, 8-18 x 5/16 |
| 13 | 688983 | Screw, 8-18 x 5/8 |
| 14 | 8312709 | Clip, Console |
| 15 | 8299876 | Harness, Wiring |
| 16 | 8559800 | Top |
| 17 | W10034770 | Knob, Push to Start |
| 18 | W10034380 | Knob, Control |
| 19 | W10466822 | Panel, Control |
| 20 | 3390631 | Screw, Grounding |
| 21 | 3977678 | Timer Assembly (60 Hz.) |
| 22 | 8566052 | Bracket Control |

SECADORA 7MWGD1501AW0



FOR ORDERING INFORMATION REFER TO PARTS PRICE LIST



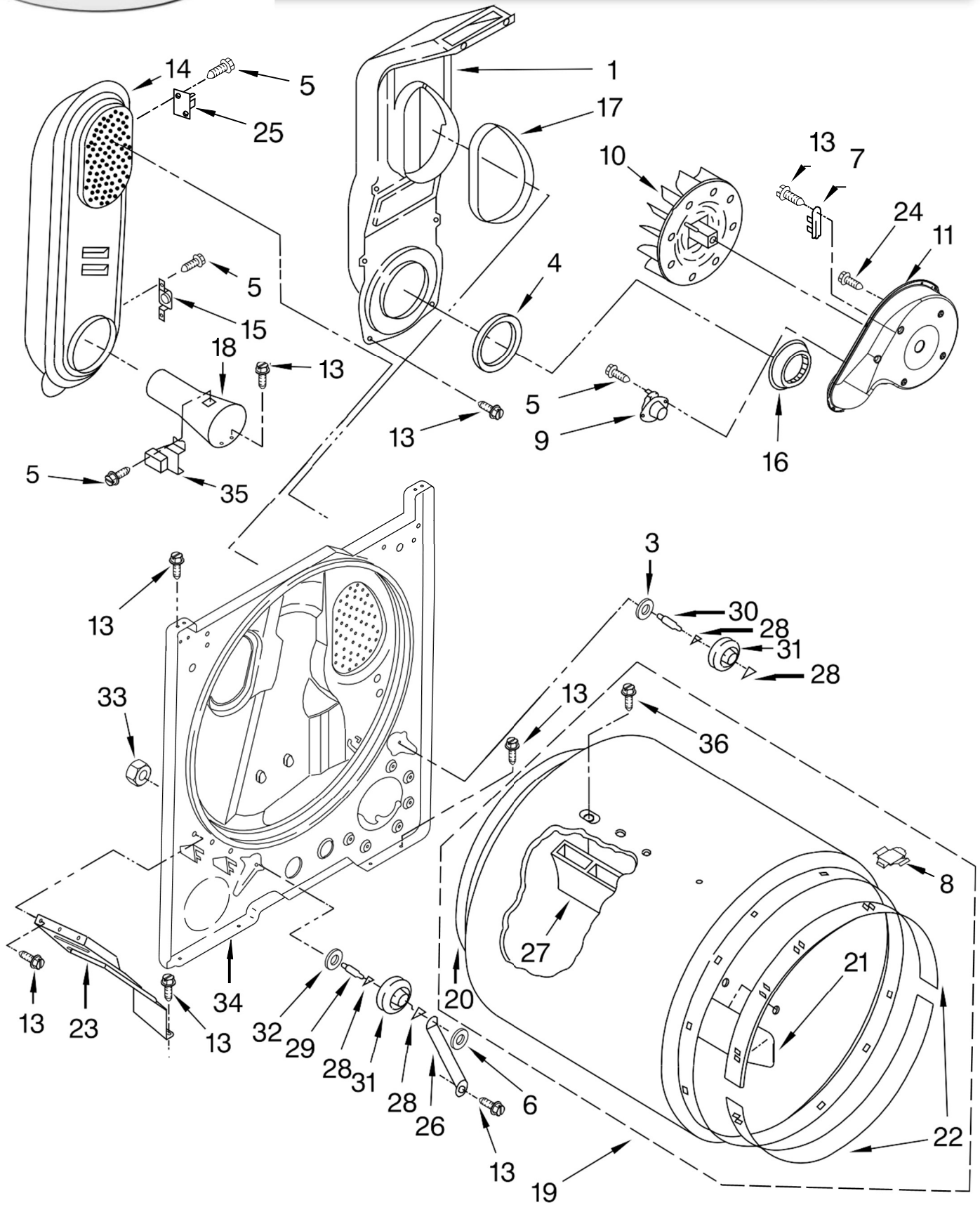
SECADORA 7MWGD1501AW0

| Illus. No. | Part No. | DESCRIPTION |
|------------|-----------|---|
| 1 | 8533974 | Screw, 10-32 x 5/8 (External Ground) |
| 2 | 343641 | Screw, 10-16 x 1/2 |
| 3 | 693995 | Screw, Hex Head |
| 4 | W10236073 | Bracket, Cabinet |
| 5 | 3396795 | Cover, Block |
| 6 | 3404162 | Clamp, Motor (W/Shield) |
| 7 | 3396805 | Panel, Rear |
| 8 | 3390647 | Screw, 8-18 x 1/2 |
| 9 | 3980175 | Clamp, Elbow |
| 10 | 3406109 | Door Switch Assembly |
| 11 | 697773 | Screw, 6-20 x 7/8 |
| 12 | 341029 | Clamp, Pipe |
| 13 | 3357011 | Screw, 10-16 x 1/2 |
| 14 | W10041960 | Spring, Door |
| 15 | 8066217 | Hinge, Top |
| 16 | 3392100 | Foot, Dryer |
| | 279810 | Foot-Optional (Extended Length) (Package of 2) (Not Included) |

| Illus. No. | Part No. | DESCRIPTION |
|------------|-----------|-----------------------------|
| 17 | 342043 | Screw, 10-32 x 3/8 |
| 18 | 8530603 | Cabinet (Includes Illus. 4) |
| 19 | 98234 | Clip, Ground |
| 20 | 8066092 | Lock, Front Top |
| 21 | 3395197 | Panel, Front |
| 22 | W10121316 | Clamp, Motor |
| 23 | 685203 | Clip, Felt Pad |
| 24 | 3389441 | Catch, Door Assembly |
| 25 | 3390731 | Seal, Door |
| 26 | 337189 | Clip, Hinge |
| 27 | 342055 | Screw, 8-18 x 5/8 |
| 28 | 8066056 | Hinge, R.H. |
| | 8066057 | Hinge, L.H. |
| 29 | W10396032 | Motor Assembly 60 Hz. |
| 30 | 8066184 | Pulley, 60 Hz. |

| Illus. No. | Part No. | DESCRIPTION |
|------------|-----------|--|
| 31 | 3400500 | Bolt, 5/16-18 x 3/4 |
| 32 | 348780 | Base, Motor |
| 33 | 696144 | Strike, Panel |
| 34 | W10131364 | Belt, Drive |
| 35 | 695737 | Door, Rear |
| 36 | 3393549 | Door, Front |
| 37 | W10095180 | Handle, Door |
| 38 | 3406129 | Seal & Bearing Assembly |
| 39 | 8564457 | Plug, Front Panel |
| 40 | 691366 | Idler & Pulley Assembly |
| 41 | W10440460 | Cord, Power |
| 42 | 3394083 | Clip, Front Panel |
| 43 | W10336852 | Burner Assembly, 60 Hz. (See Pages 7 & 8 For Further Burner Breakdown) |

SECADORA 7MWGD1501AW0



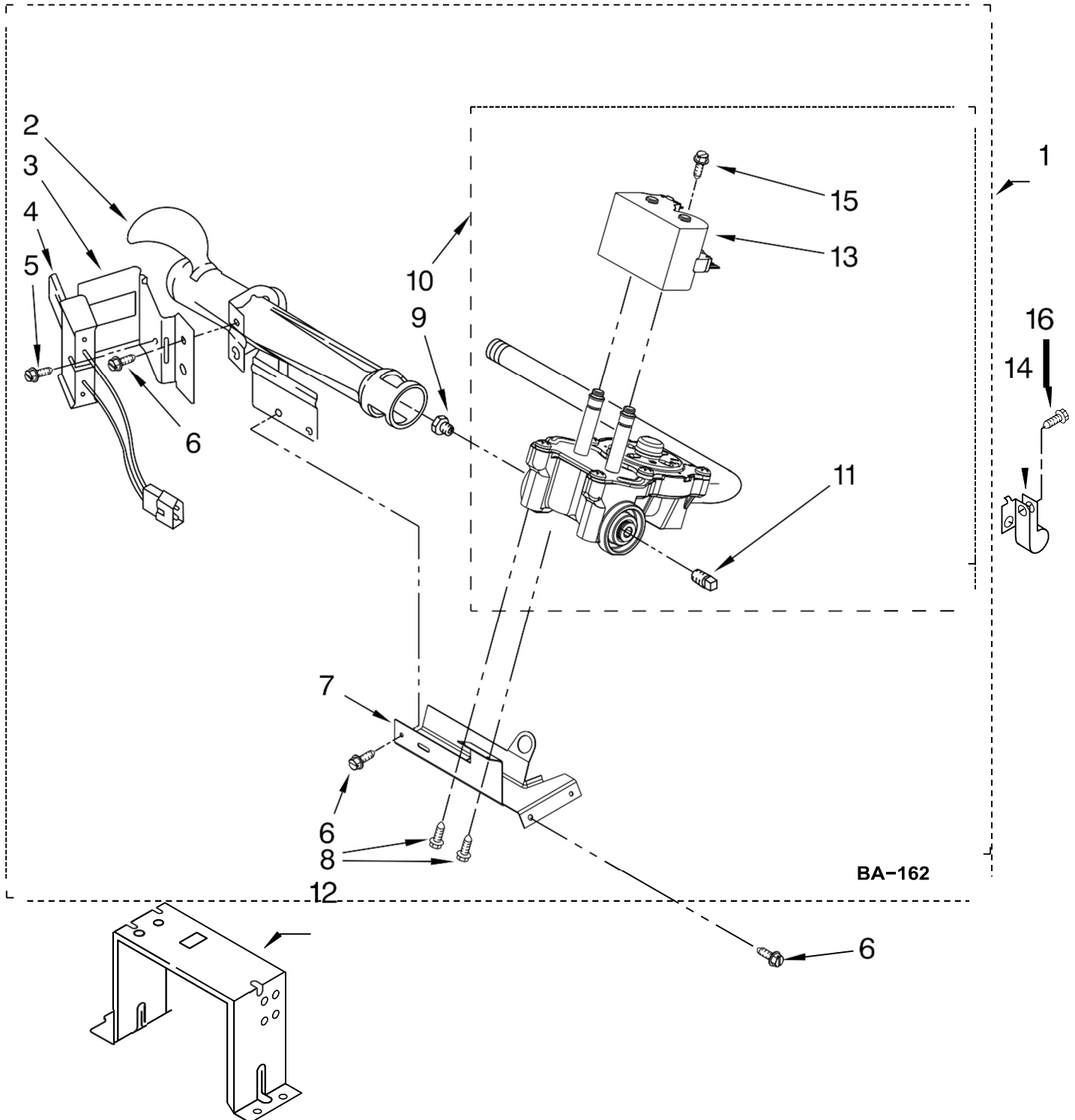
FOR ORDERING INFORMATION REFER TO PARTS PRICE LIST

SECADORA 7MWGD1501AW0

| Illus. No. | Part No. | DESCRIPTION |
|------------|-----------|---|
| 1 | 348368 | Lint Chute Assembly |
| 2 | 489463 | Screw, 8-18 x 5/8 |
| 3 | 3388703 | Washer, Support |
| 4 | 347139 | Seal, Lint Chute |
| 5 | 90767 | Screw, 8-18 x 3/8 |
| 6 | 90296 | Clip |
| 7 | 3392519 | Thermal Fuse (91°C) |
| 8 | 8066086 | Drum Hole Plug |
| 9 | 3387134 | Thermostat, Internal-Bias |
| 10 | 694089 | Wheel, Blower (Includes Illus. 21) |
| 11 | 8577230 | Housing, Blower |
| 12 | 8066155 | Clip |
| 13 | 343641 | Screw, 10-16 x 1/2 |
| 14 | 8530285 | Box, Heater |
| 15 | W10423382 | Thermostat, 180 °F (82°C) |
| 16 | 696302 | Shield, Exhaust |
| 17 | 339956 | Seal |
| 18 | 8066049 | Funnel, Burner |
| 19 | 695587 | Drum Assembly |
| 20 | W10352407 | Seal, Rear Drum |
| 21 | 3403636 | Baffle, Drum |
| 22 | 692526 | Ring, Bearing |
| 23 | 3406022 | Bracket, Bulkhead |
| 24 | 3390647 | Screw, 8-18 x 1/2 |
| 25 | 280010 | Kit, Thermal Cut-Off (Includes Illus. 15) |
| 26 | 3976434 | Bracket, Support |
| 27 | 692490 | Baffle, Drum |
| 28 | 690997 | Tri Ring |
| 29 | W10359270 | Shaft, L.H. |
| 30 | W10359269 | Shaft, R.H. |
| 31 | 3397590 | Roller, Support |
| 32 | 348197 | Washer, Support |
| 33 | W10298789 | Nut, 3/8-16 |
| 34 | 3403491 | Bulkhead |
| 35 | 338906 | Sensor, Radiant |
| 36 | W10219342 | Screw, 8-16 x 1/2 |

SECADORA 7MWGD1501AW0

USE WITH TYPE 1 – NATURAL, TYPE 2 – MIXED,
AND TYPE 4 – LIQUEFIED PROPANE AND BUTANE GASES





SECADORA 7MWGD1501AW0

**USE WITH TYPE 1 – NATURAL, TYPE 2 – MIXED,
AND TYPE 4 – LIQUEFIED PROPANE AND BUTANE GASES**

| Illus. No. | Part No. | DESCRIPTION |
|------------|-----------|---|
| 1 | W10336852 | Burner Assembly 60 Hz. (Type 1 & 2) |
| 2 | 688617 | Tube, Burner |
| 3 | 694298 | Bracket, Ignitor |
| 4 | 686590 | Ignitor |
| 5 | 3393909 | Screw & Washer (8-32 x 5/8) |
| 6 | 343641 | Screw, 10-16 x 1/2 |
| 7 | 693986 | Base, Burner |
| 8 | 3387057 | Screw, 8-18 x 3/8 (3) |
| 9 | 234826 | Orifice, Burner Type 1 |
| 10 | W10304604 | Valve, Gas 60 Hz. (Complete) (Includes Pipe & Illus. No. 7) |
| 11 | W10295523 | Plug, Pipe |
| 12 | 3389889 | Bracket, Support |
| 13 | W10328463 | Coil, 60 Hz. |
| 14 | 3978776 | Clamp, Pipe |
| 15 | 326049536 | Screw, Coil |
| 16 | 3390647 | Screw, 8-18 x 1/2 |

Following Parts Not Illustrated

49572A Conversion Kit
(Type 1 and 2)
to Type (4) L.P.G.

OPTIONAL PARTS (NOT INCLUDED)

For Model: 7MWGD1501AW0

(White)

| Illus. | Part | |
|---------------|-------------|--------------------|
| No. | No. | DESCRIPTION |

ACCESSORY PARTS

279948 Kit,
Dryer Repair

346764 Kit, Hold-Down
(Gas Dryer Mobile
Home Installation)

W10071550A Dry Rack

8522199 Kit, Dryer
Vent Testing

PAINT, TOUCH-UP (1/2oz.)

72017 White

PAINT, PRESSURIZED SPRAY (12 oz.)

350930 White

350938 Primer, Gray

PAINT, BULK (1 qt.)

799344 White (Uncut)

FOR ORDERING INFORMATION REFER TO PARTS PRICE LIST