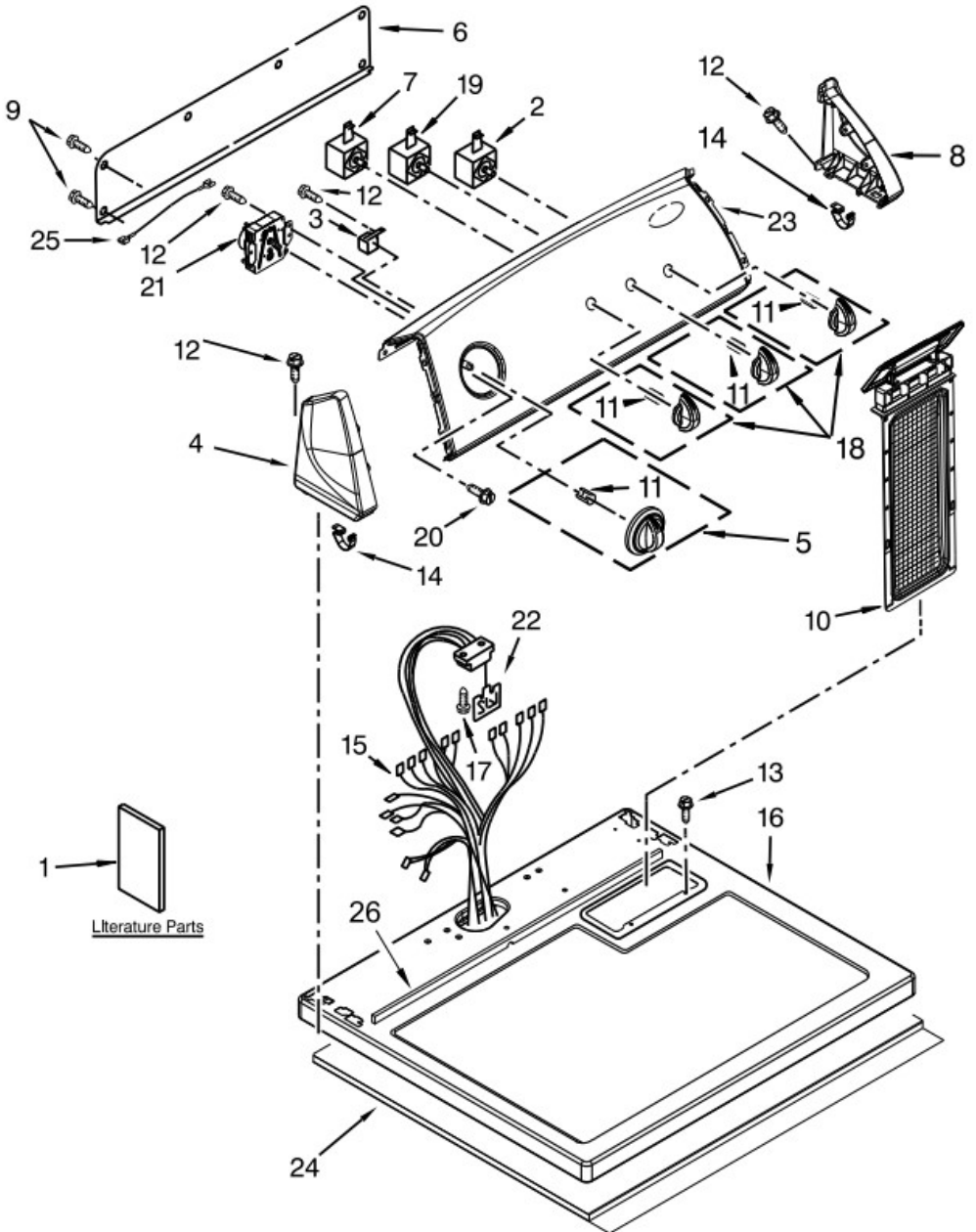


Distribuidor Autorizado

SurteRápido.com

Venta de Refacciones
Electrodomesticas

Secadora Whirlpool 7MWGD1705YM3





Secadora Whirlpool 7MWGD1705YM3

TOP AND CONSOLE PARTS

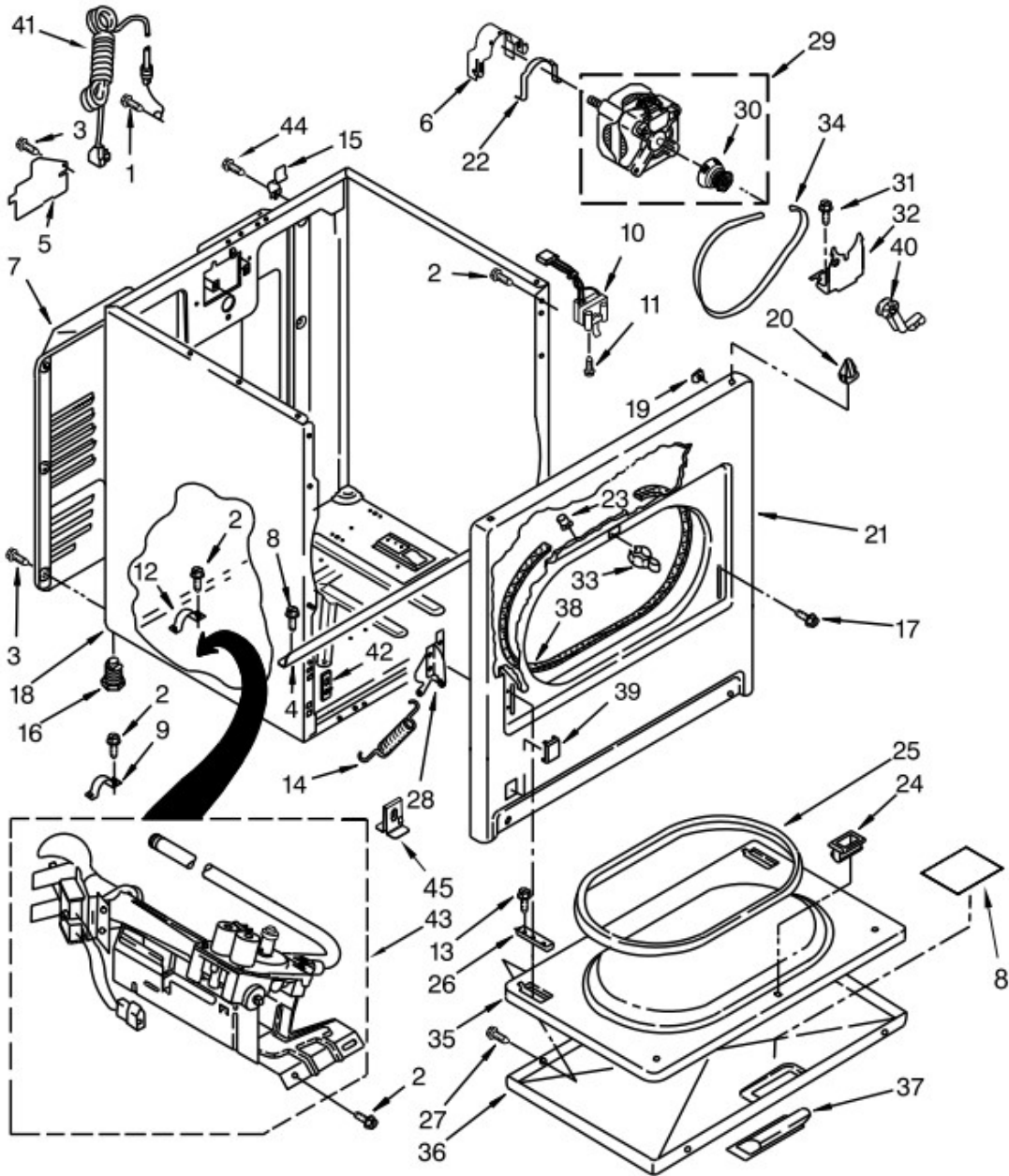
| <u>Illus. No.</u> | <u>Part No.</u> | <u>Description</u> | <u>Illus. No.</u> | <u>Part No.</u> | <u>Description</u> | <u>Illus. No.</u> | <u>Part No.</u> | <u>Description</u> |
|-------------------|-----------------|----------------------------|-------------------|-----------------|--------------------|-------------------|-----------------|-----------------------------|
| 1 | | Literature Parts | 8 | | End Cap (Right) | 18 | | Assembly, Control Knob |
| | W10329763 | Instructions, Installation | | 8566032 | White | | W10034380 | White/Metallic |
| | W10368973 | Use & Care Guide | 9 | 693995 | Screw | 19 | 3405156 | Switch, Wrinkle Guard |
| | W10118081 | Wiring Diagram | 10 | 8557857 | Lint Screen | 20 | 3400818 | Screw |
| 2 | W10117655 | Switch, Push To Start | 11 | 8536939 | Clip, Spring | 21 | 8566184 | Assembly, Timer (60 Hz.) |
| 3 | 694419 | Buzzer, Mini | 12 | 3348629 | Screw | 22 | W10476828 | Control, Electronic |
| 4 | | End Cap (Left) | 13 | 688983 | Screw | 23 | W10354025 | Assembly, Panel and Bracket |
| | 8566035 | White | 14 | 8312709 | Clip, Console | 24 | W10123956 | Panel, Dampening |
| 5 | | Assembly, Timer Knob | 15 | 8576542 | Harness, Wiring | 25 | W10113080 | Wire, Jumper (Buzzer) |
| | W10034750 | White/Metallic | 16 | | Top | 26 | W10316616 | Seal, Foam |
| 6 | W10103406 | Panel, Rear (Console) | 17 | 8559800 | White | | | |
| | | | | 359625 | Screw | | | |
| 7 | 8530169 | Switch, Rotary Temperature | | | | | | |

Distribuidor Autorizado

SurteRápido.com

Venta de Refacciones
Electrodomesticas

Secadora Whirlpool 7MWGD1705YM3





Secadora Whirlpool 7MWGD1705YM3

CABINET PARTS

| <u>Illus. No.</u> | <u>Part No.</u> | <u>Description</u> |
|-------------------|-----------------|--|
| 1 | 8533974 | Screw |
| 2 | 343641 | Screw |
| 3 | 693995 | Screw |
| 4 | W10236073 | Bracket, Cabinet |
| 5 | 3396795 | Cover, Terminal Block |
| 6 | 3404162 | Clamp, Motor (With Shield) |
| 7 | W10571724 | Panel, Rear |
| 8 | W10595510 | Tape, Foil |
| 9 | 3980175 | Clamp, Elbow |
| 10 | W10569603 | Switch, Door |
| 11 | 697773 | Screw |
| 12 | 341029 | Clamp, Pipe |
| 13 | 3357011 | Screw |
| 14 | W10041960 | Spring, Door |
| 15 | 8066217 | Hinge, Top |
| 16 | 3392100 | Foot, Dryer |
| | 279810 | Foot, Optional (Extended Length Package Of 2) (Not Included) |

| <u>Illus. No.</u> | <u>Part No.</u> | <u>Description</u> |
|-------------------|-----------------|----------------------|
| 17 | 342043 | Screw |
| 18 | | Cabinet |
| | 8530603 | White |
| 19 | 98234 | Clip, Ground |
| 20 | 8066092 | Lock, Front Top |
| 21 | | Panel, Front |
| | 3395197 | White |
| 22 | W10121316 | Clamp, Motor Mount |
| 23 | 685203 | Clip, Felt Pad |
| 24 | 3389441 | Assembly, Door Catch |
| 25 | W10389571 | Seal, Door |
| 26 | 337189 | Clip, Hinge |
| 27 | 342055 | Screw |
| 28 | 8066056 | Hinge, Door (Right) |
| | 8066057 | Hinge, Door (Left) |
| 29 | W10396032 | Assembly, Motor |
| 30 | 8066184 | Pulley, Motor |
| 31 | 3400500 | Bolt |

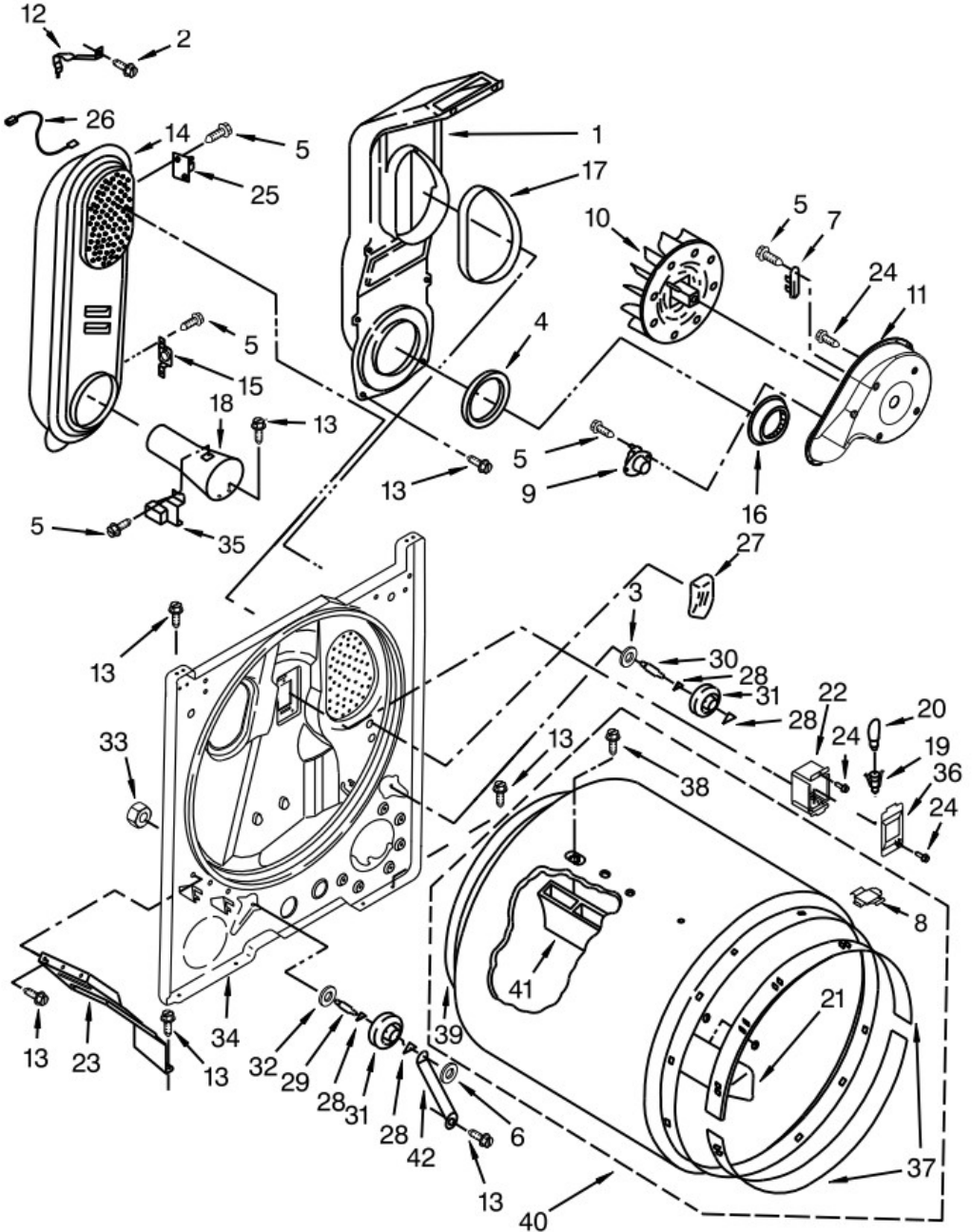
| <u>Illus. No.</u> | <u>Part No.</u> | <u>Description</u> |
|-------------------|-----------------|--|
| 32 | 348780 | Base, Motor |
| 33 | 696144 | Strike, Door |
| 34 | W10131364 | Belt, Drive |
| 35 | 695737 | Door, Rear |
| 36 | | Door, Front |
| | 3393549 | White |
| 37 | W10095180 | Handle, Door |
| 38 | W10568603 | Assembly, Seal and Bearing |
| 39 | | Plug, Front Panel |
| | 8564457 | White |
| 40 | 691366 | Assembly, Idler |
| 41 | W10440460 | Cord, Power |
| 42 | 3394083 | Clip, Front Panel |
| 43 | 8318272 | Burner Assembly (60 Hz) (Type 1) (White Rodgers) |
| 44 | 3390647 | Screw |
| 45 | W10575896 | Clip, Spring |

Distribuidor Autorizado

SurteRápido.com

Venta de Refacciones
Electrodomesticas

Secadora Whirlpool 7MWGD1705YM3





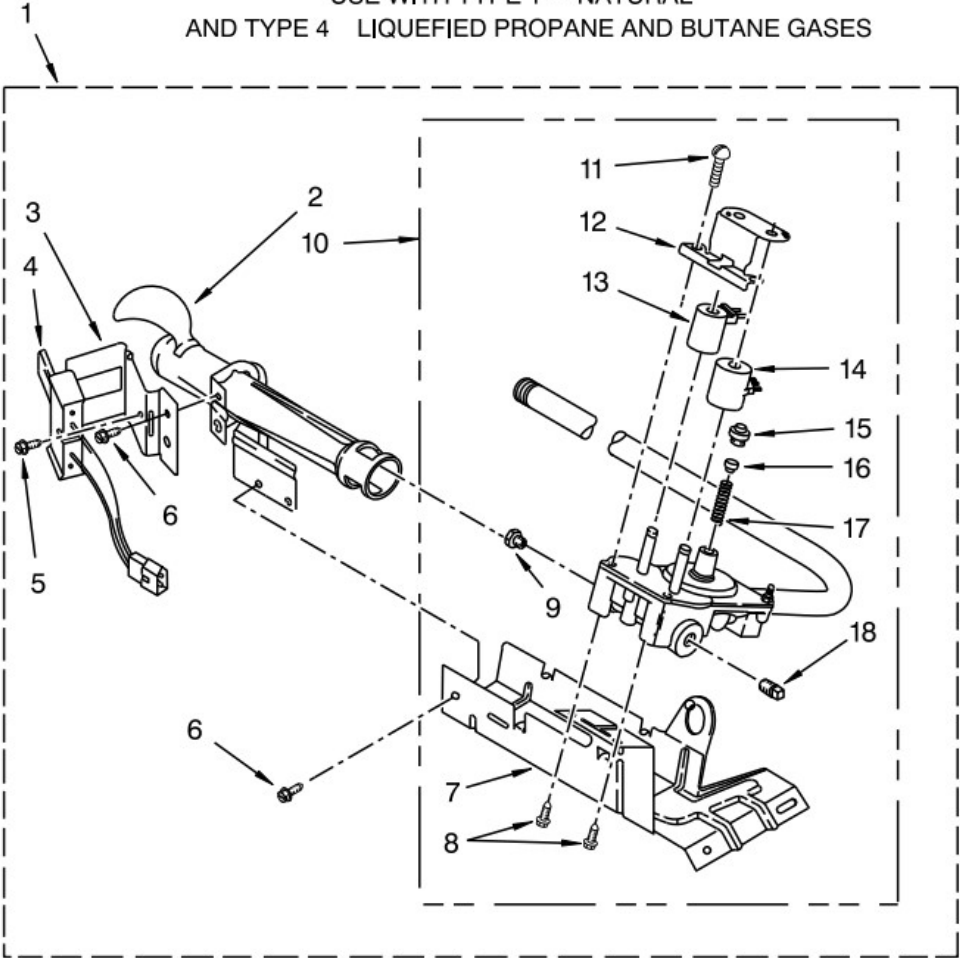
Secadora Whirlpool 7MWGD1705YM3

BULKHEAD PARTS

| <u>Illus.</u> <u>No.</u> | <u>Part No.</u> | <u>Description</u> | <u>Illus.</u> <u>No.</u> | <u>Part No.</u> | <u>Description</u> | <u>Illus.</u> <u>No.</u> | <u>Part No.</u> | <u>Description</u> |
|-----------------------------|-----------------|-------------------------------|-----------------------------|-----------------|--|-----------------------------|-----------------|------------------------------------|
| 1 | 348368 | Assembly, Lint Chute | 16 | W10389567 | Shield, Exhaust | 30 | W10359269 | Shaft, Drum Rol Right Hand Thre |
| 2 | 489463 | Screw | 17 | 339956 | Seal | 31 | 3397590 | Roller, Support |
| 3 | 3388703 | Washer | 18 | 8066049 | Funnel, Burner Light | 32 | 348197 | Washer |
| 4 | 347139 | Seal, Lint Chute | 19 | W10214261 | Socket, Light | 33 | W10298789 | Nut, Hex |
| 5 | 90767 | Screw | 20 | 3406124 | Bulb, Light | 34 | 3403414 | Bulkhead |
| 6 | 90296 | Nut, Push On | 21 | 3403636 | Baffle, Drum (Short) | 35 | 338906 | Sensor, Radiant |
| 7 | 3392519 | Fuse, Thermal (91C) | 22 | 3977373 | Bracket, Drum Light | 36 | 3402841 | Lens, Drum Ligh |
| 8 | 8066086 | Plug, Drum Hole | 23 | 3406022 | Bracket, Bulkhead Chute | 37 | 692526 | Bearing, Ring |
| 9 | 8318268 | Thermostat | 24 | 3390647 | Screw | 38 | W10219342 | Screw |
| 10 | 694089 | Wheel, Blower | 25 | 3977394 | Thermal Cut-Off | 39 | W10389561 | Seal, Rear Drum |
| 11 | 8577230 | Housing, Blower | 26 | 3401707 | Jumper, Wire | 40 | W10389436 | Assembly, Drum (Complete) |
| 12 | 3398161 | Clip, Heater Box | 27 | 3976479 | Pad, Sensor | 41 | 692490 | Baffle, Drum (Lo |
| 13 | 343641 | Screw | 28 | W10512946 | Washer, Tri Ring | 42 | 3976434 | Bracket, Support |
| 14 | 8530285 | Box, Heater (96C) | 29 | W10359270 | Shaft, Drum Roller - Left Hand Thread | | | |
| 15 | W10423382 | Thermostat H.L SPST (180F) | | | | | | |

8318272 BURNER ASSEMBLY PARTS

USE WITH TYPE 1 - NATURAL
 AND TYPE 4 LIQUEFIED PROPANE AND BUTANE GASES





Secadora Whirlpool 7MWGD1705YM3

8318272 BURNER ASSEMBLY PARTS

| <u>Illus. No.</u> | <u>Part No.</u> | <u>Description</u> | <u>Illus. No.</u> | <u>Part No.</u> | <u>Description</u> | <u>Illus. No.</u> | <u>Part No.</u> | <u>Description</u> |
|-------------------|-----------------|--|-------------------|-----------------|---|-------------------|-----------------|--|
| 1 | 8318272 | Burner Assembly (60 Hz) (Type 1) (White Rodgers) | 9 | | Orifice, Burner | 15 | 694424 | Leak, Limiter |
| 2 | 688617 | Tube, Burner | | 234826 | Type 1 (Natural) | 16 | 694423 | Screw, Regulator Adjustment |
| 3 | 694298 | Bracket, Ignitor | | 229742 | Type 4 (Butane) | 17 | 694422 | Spring, Regulator |
| 4 | 686590 | Ignitor | 10 | 8318277 | Valve, Gas (60 Hz) | 18 | 239822 | Plug, Pipe |
| 5 | W10366705 | Screw | 11 | 694421 | Screw, Coil | | | Following Parts Not Illustrated |
| 6 | 343641 | Screw | 12 | 694538 | Bracket, Coil | 694572 | | Conversion Kit (Type 1 and 2) to Type (4) L.P.G. |
| 7 | 693986 | Base, Burner | 13 | 694540 | Coil, 60 Hz. (2 Terminal) (Main) | | | |
| 8 | 3387057 | Screw | 14 | 694539 | Coil, 60 Hz (Split) (3 Terminal) (Pilot Position) | | | |



Secadora Whirlpool 7MWGD1705YM3

OPTIONAL PARTS (NOT INCLUDED)

ACCESSORY PARTS

| <u>Illus. No.</u> | <u>Part No.</u> | <u>Description</u> |
|-------------------|-----------------|-------------------------|
| | 279948 | Kit, Dryer Repair |
| | 346764 | Kit, Hold Down |
| | W10071550A | Dryer Rack |
| | 8522199 | Kit, Dryer Vent Testing |

PAINT, TOUCH-UP (1/2OZ.)

| <u>Illus. No.</u> | <u>Part No.</u> | <u>Description</u> |
|-------------------|-----------------|--------------------|
| | 72017 | White |

PAINT, BULK (1 QT.)

| <u>Illus. No.</u> | <u>Part No.</u> | <u>Description</u> |
|-------------------|-----------------|--------------------|
| | 799344 | White |

PAINT, PRESSURIZED SPRAY (12 OZ.)

| <u>Illus. No.</u> | <u>Part No.</u> | <u>Description</u> |
|-------------------|-----------------|--------------------|
| | 350930 | White |
| | 350938 | Gray Primer |