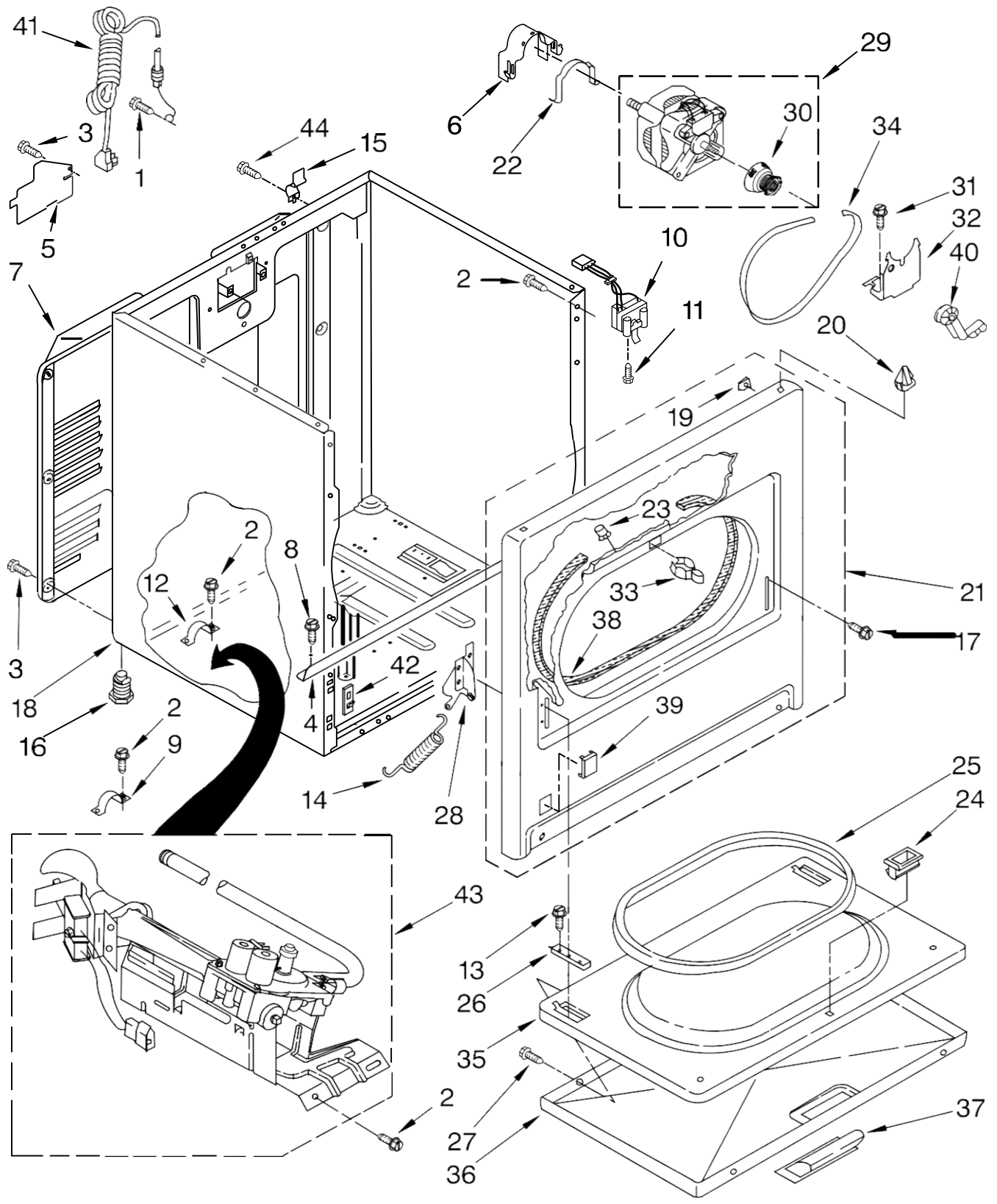




## Secadora Maytag 7MWGD1730YW0

Illus. No.	Part No.	DESCRIPTION
1		Literature Parts
	W10329763	Instructions, Installation
	W10368973	Use & Care Guide
	W10118081	Wiring Diagram
2	W10117655	Switch, Push To Start
3	694419	Buzzer, Mini
4	8566035	Cap, End (L.H.)
5	W10034750	Knob, Timer Assembly
6	W10103406	Panel, Rear Console
7	8530169	Switch, Temperature
8	8566032	Cap, End (R.H.)
9	693995	Screw, Hex Washer Head
10	8557857	Screen, Lint
11	8536939	Clip, Spring
12	3348629	Screw, 8-18 x 5/16
13	688983	Screw, 8-18 x 5/8
14	8312709	Clip-Console
15	8576542	Harness, Wiring
16	8559800	Top
17	359625	Screw, 8-18 x 1/2
18	W10034380	Knob, Control (3)
19	3405156	Switch, Rotary (Twist Mount)
20	3400808	Screw, Grounding
21	8566184	Timer Assembly (60 Hz.)
22	8558178	Control, Electronic
23	W10354023	Panel & Console Assembly
24	W10123956	Panel, Dampening
25	W10113080	Jumper, Buzzer



FOR ORDERING INFORMATION REFER TO PARTS PRICE LIST



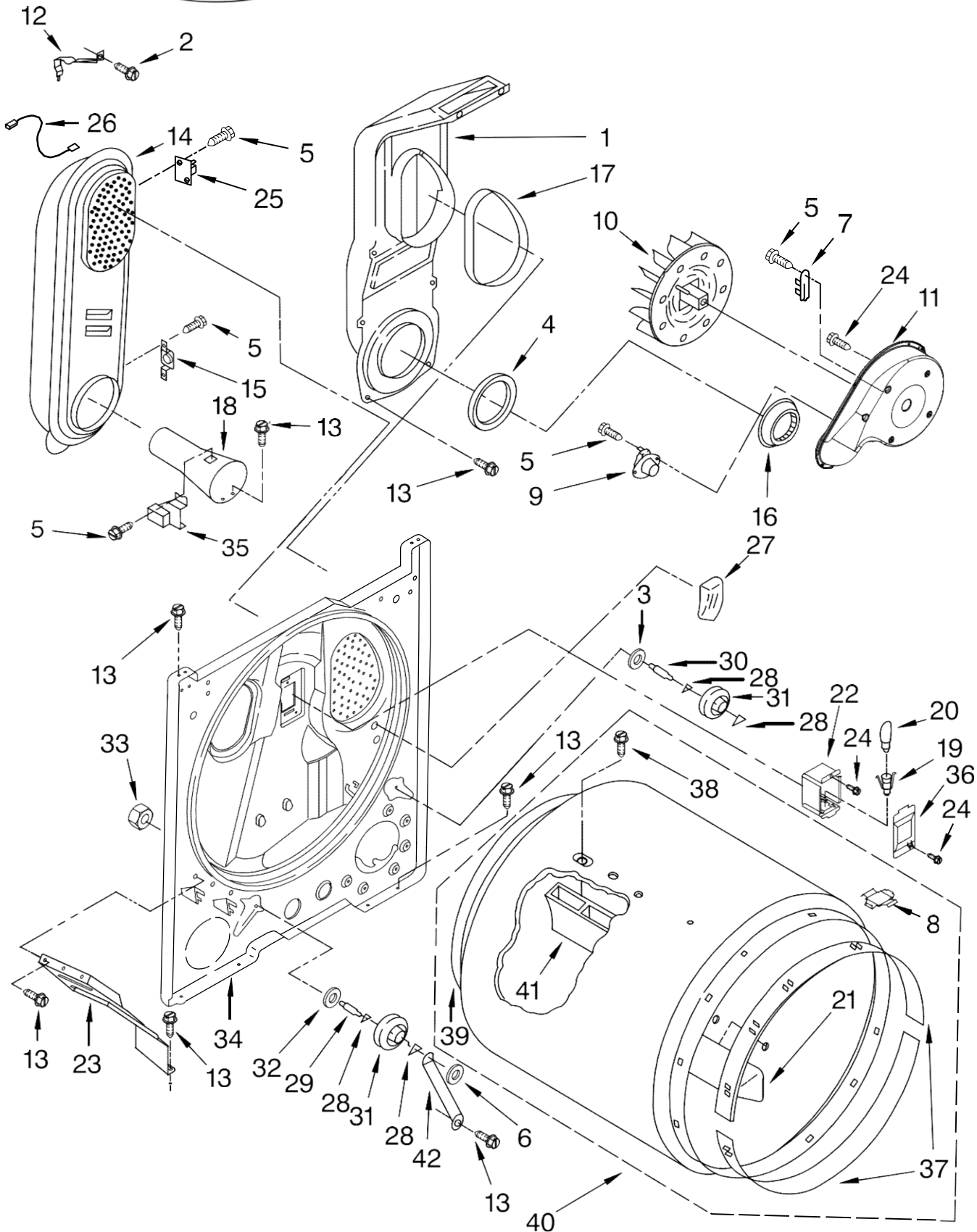
Secadora Maytag 7MWGD1730YW0

Illus. No.	Part No.	DESCRIPTION
1	8533974	Screw, 10-32 x 5/8 (External Ground)
2	343641	Screw, 10-16 x 1/2
3	693995	Screw, Hex Head
4	W10236073	Bracket, Cabinet
5	3396795	Cover, Block
6	3404162	Clamp, Motor (W/Shield)
7	3396805	Panel, Rear
8	3390647	Screw, 8-18 x 1/2
9	3980175	Clamp-Elbow
10	3406107	Door Switch Assembly
11	697773	Screw, 6-20 x 7/8
12	341029	Clamp, Pipe
13	3357011	Screw, 10-16 x 1/2
14	W10041960	Spring, Door (2)
15	8066217	Hinge, Top
16	3392100	Foot, Dryer
	279810	Foot-Optional (Extended Length) (Package of 2) (Not Included.)

Illus. No.	Part No.	DESCRIPTION
17	342043	Screw, 10-32 x 3/8
18	8530603	Cabinet (Includes Illus. 4)
19	98234	Clip, Ground (2)
20	690363	Lock, Front Top (2)
21	3395197	Panel, Front
22	W10121316	Clamp, Motor
23	685203	Clip, Felt Pad (2)
24	3389441	Catch, Door Assembly
25	3390731	Seal, Door
26	337189	Clip, Hinge (2)
27	342055	Screw, 8-18 x 5/8
28	8066056	Hinge, R.H.
	8066057	Hinge, L.H.
29	W10194250	Motor Assembly 60 Hz.
30	8066184	Pulley, 60 Hz.

Illus. No.	Part No.	DESCRIPTION
31	3400500	Bolt, 5/16-18 x 3/4
32	348780	Base, Motor
33	696144	Strike, Panel
34	W10131364	Belt, Drive
35	695737	Door, Rear
36	3393549	Door, Front
37	W10095180	Handle, Door
38	3406129	Seal & Bearing Assembly
39	8564457	Plug, Front Panel
40	691366	Idler & Pulley Assembly
41	344020	Cord, Power
42	3394083	Clip, Front Panel
43	8318272	Burner Assembly, 60 Hz. (See Pages 7 & 8 For Further Burner Breakdown)
44	3390631	Screw, 10-16 x 3/8

FOR ORDERING INFORMATION REFER TO PARTS PRICE LIST



FOR ORDERING INFORMATION REFER TO PARTS PRICE LIST



Secadora Maytag 7MWGD1730YW0

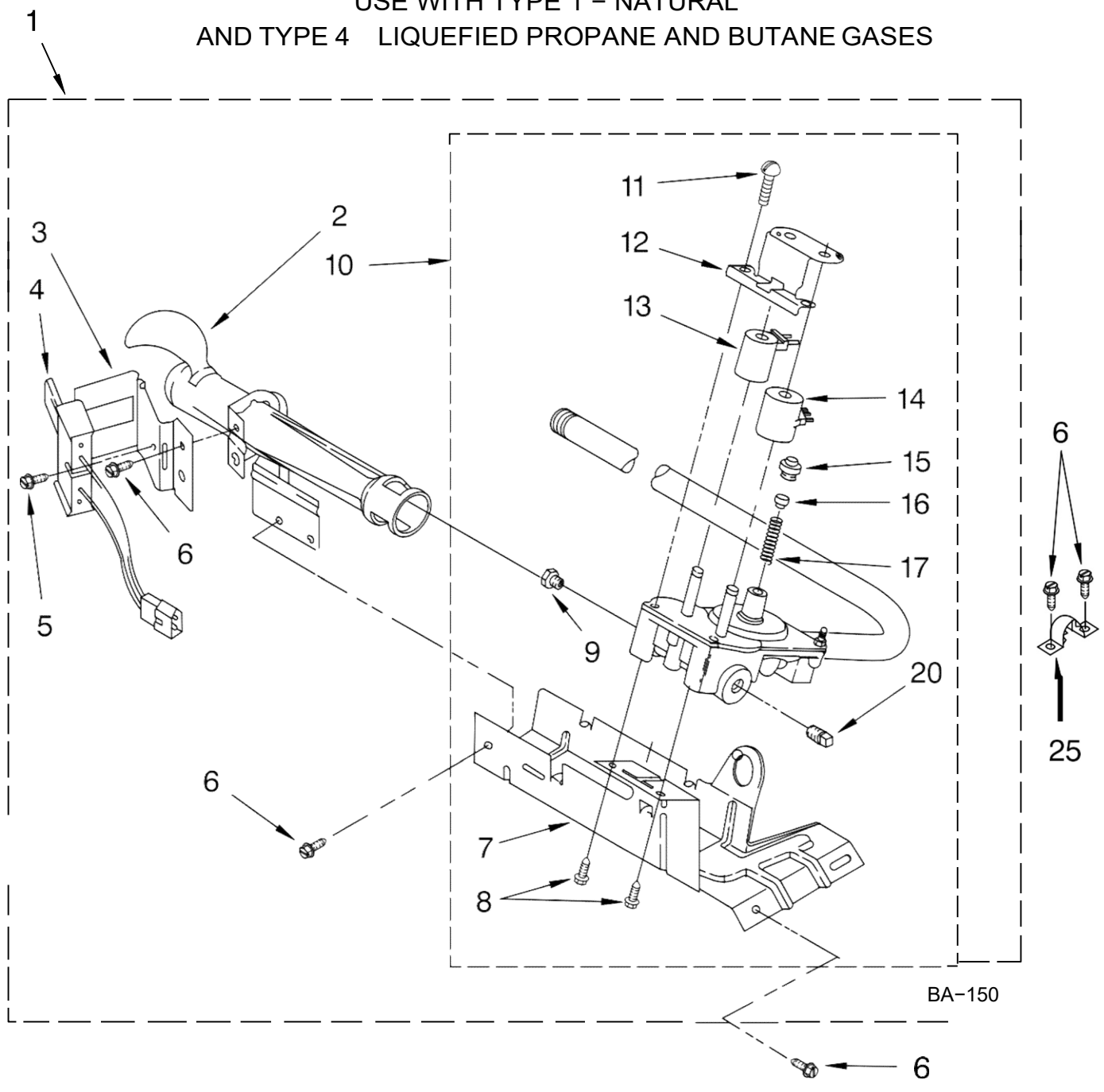
Illus. No.	Part No.	DESCRIPTION
1	348368	Lint Chute Assembly
2	489463	Screw, 8-18 x 5/8
3	3388703	Washer-Support
4	347139	Seal, Lint Chute
5	90767	Screw, 8-18 x 3/8
6	90296	Clip
7	3392519	Thermal Fuse (91°C)
8	8066086	Drum Hole Plug
9	8318268	Thermostat, Internal-Bias
10	694089	Wheel, Blower (Includes Illus. 21)
11	8577230	Housing, Blower

Illus. No.	Part No.	DESCRIPTION
12	3398161	Clip
13	343641	Screw, 10-16 x 1/2
14	8530285	Box, Heater
15	3403140	Thermostat, 205°F (96°C)
16	696302	Shield, Exhaust
17	339956	Seal
18	8066049	Funnel, Burner
19	W10136369	Socket Assembly
20	3406124	Bulb
21	3403636	Baffle, Drum (1)
22	3977373	Bracket, Drum Light
23	3406022	Bracket, Bulkhead
24	3390647	Screw, 8-18 x 1/2
25	280010	Kit, Thermal Cut-Off (Includes Illus. 15)

Illus. No.	Part No.	DESCRIPTION
26	3401707	Wire, Jumper
27	3976479	Pad, Sensor
28	690997	Ring, Tri
29	W10359270	Shaft, L.H.
30	W10359269	Shaft, R.H.
31	3397590	Roller, Support
32	348197	Washer, Support
33	W10298789	Nut, 3/8-16
34	3403414	Bulkhead
35	338906	Sensor, Radiant
36	3402841	Lens, Drum Light
37	692526	Ring, Bearing
38	W10219342	Screw, 8-16 x 1/2
39	W10352407	Seal, Rear Drum
40	695587	Drum Assembly
41	692490	Baffle, Drum (2)
42	3976434	Bracket, Support

FOR ORDERING INFORMATION REFER TO PARTS PRICE LIST

USE WITH TYPE 1 - NATURAL  
 AND TYPE 4 LIQUEFIED PROPANE AND BUTANE GASES



FOR ORDERING INFORMATION REFER TO PARTS PRICE LIST



**Secadora Maytag 7MWGD1730YW0**

**USE WITH TYPE 1 – NATURAL  
AND TYPE 4 LIQUEFIED PROPANE AND BUTANE GASES**

Illus. No.	Part No.	DESCRIPTION
1	8318272	Burner Assembly 60 Hz. (Type 1) (White Rodgers)
2	688617	Tube, Burner
3	694298	Bracket, Ignitor
4	686590	Ignitor
5	3393909	Screw & Washer (8-32 x 5/8)
6	343641	Screw, 10-16 x 1/2
7	693986	Base, Burner
8	3387057	Screw, 8-18 x 3/8
9		Orifice, Burner
	234826	Type 1
	229742	Type 4 (Butane)
	234868	Type 4 (Propane)
10	8318277	Valve, 60 Hz. (Includes Pipe & Illus. #7)
11	694421	Screw, 8-32 x 1/2 (2)
12	694538	Bracket, Coil
13	694540	Coil, 60 Hz. (2 Terminal) (Main)
14	694539	Coil, 60 Hz. (Split) (3 Terminal) (Pilot Position)
15	694424	Leak Limiter
16	694423	Screw, Regulator Adjustment
17	694422	Spring, Regulator
20	239822	Plug, Pipe
25	341029	Clamp, Pipe

Following Parts Not Illustrated

694572 Conversion Kit  
(Type 1)  
to Type (4) L.P.G.

BA-150

FOR ORDERING INFORMATION REFER TO PARTS PRICE LIST





## Secadora Maytag 7MWGD1730YW0

<b>Illus.</b>	<b>Part</b>	
<b>No.</b>	<b>No.</b>	<b>DESCRIPTION</b>

### ACCESSORY PARTS

	279948	Kit, Dryer Repair
	346764	Kit, Hold-Down (Gas Dryer Mobile Home Installation)
	3406839	Dry Rack
	8522199	Kit, Dryer Vent Testing
	W10071550A	Dry Rack

### PAINT, TOUCH-UP (1/2oz.)

72017 White

### PAINT, PRESSURIZED SPRAY (12 oz.)

350930 White  
350938 Primer, Gray

### PAINT, BULK (1 qt.)

799344 White (Uncut)

FOR ORDERING INFORMATION REFER TO PARTS PRICE LIST