

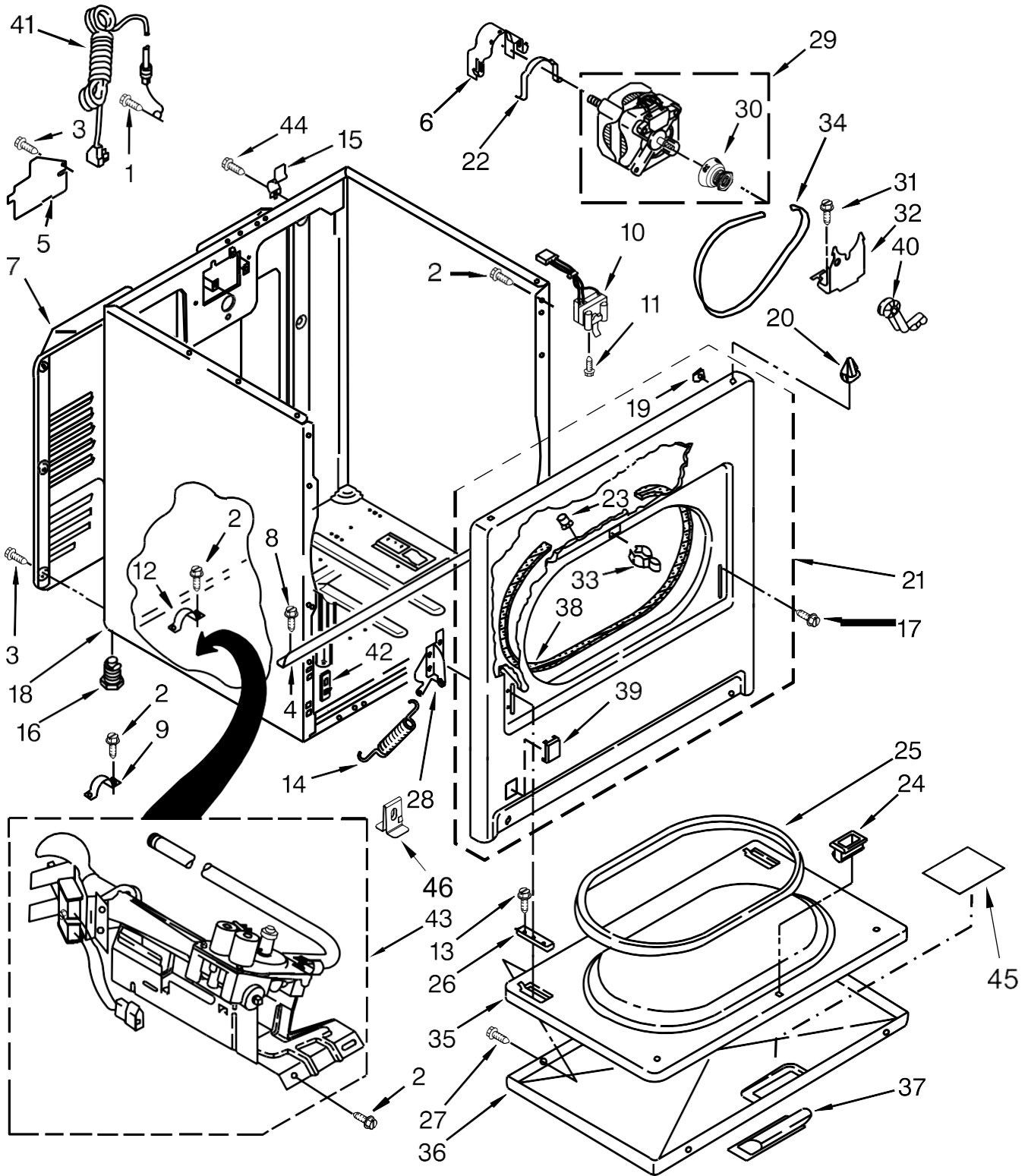


Secadora Maytag 7MWGD1730YW3

<u>Illus. No.</u>	<u>Part No.</u>	<u>Description</u>
1		Literature Parts
	W10329763	Instructions, Installation
	W10368973	Use & Care Guide
	W10118081	Wiring Diagram
2	W10117655	Switch, Push ToStart
3	694419	Buzzer, Mini
4		End Cap (Left)
	8566035	White
5		Assembly, Timer Knob
	W10034750	White/Metallic
6	W10103406	Panel, Rear (Console)
7	8530169	Switch, Rotary Temperature
8		End Cap (Right)
	8566032	White

<u>Illus. No.</u>	<u>Part No.</u>	<u>Description</u>
9	693995	Screw
10	8557857	Lint Screen
11	8536939	Clip, Spring
12	3348629	Screw
13	688983	Screw
14	8312709	Clip, Console
15	8576542	Harness, Wiring
16		Top
	8559800	White
17	359625	Screw
18		Assembly, Control Knob
	W10034380	White/Metallic
19	3405156	Switch, Wrinkle Guard
20	3400818	Screw
21	8566184	Assembly, Timer (60 Hz.)

<u>Illus. No.</u>	<u>Part No.</u>	<u>Description</u>
22	W10476828	Control, Electronic
23	W10354023	Panel & Console Assembly
24	W10123956	Panel, Dampening
25	W10113080	Wire, Jumper (Buzzer)
26	8566052	Bracket, Control
27	W10316616	Seal, Foam



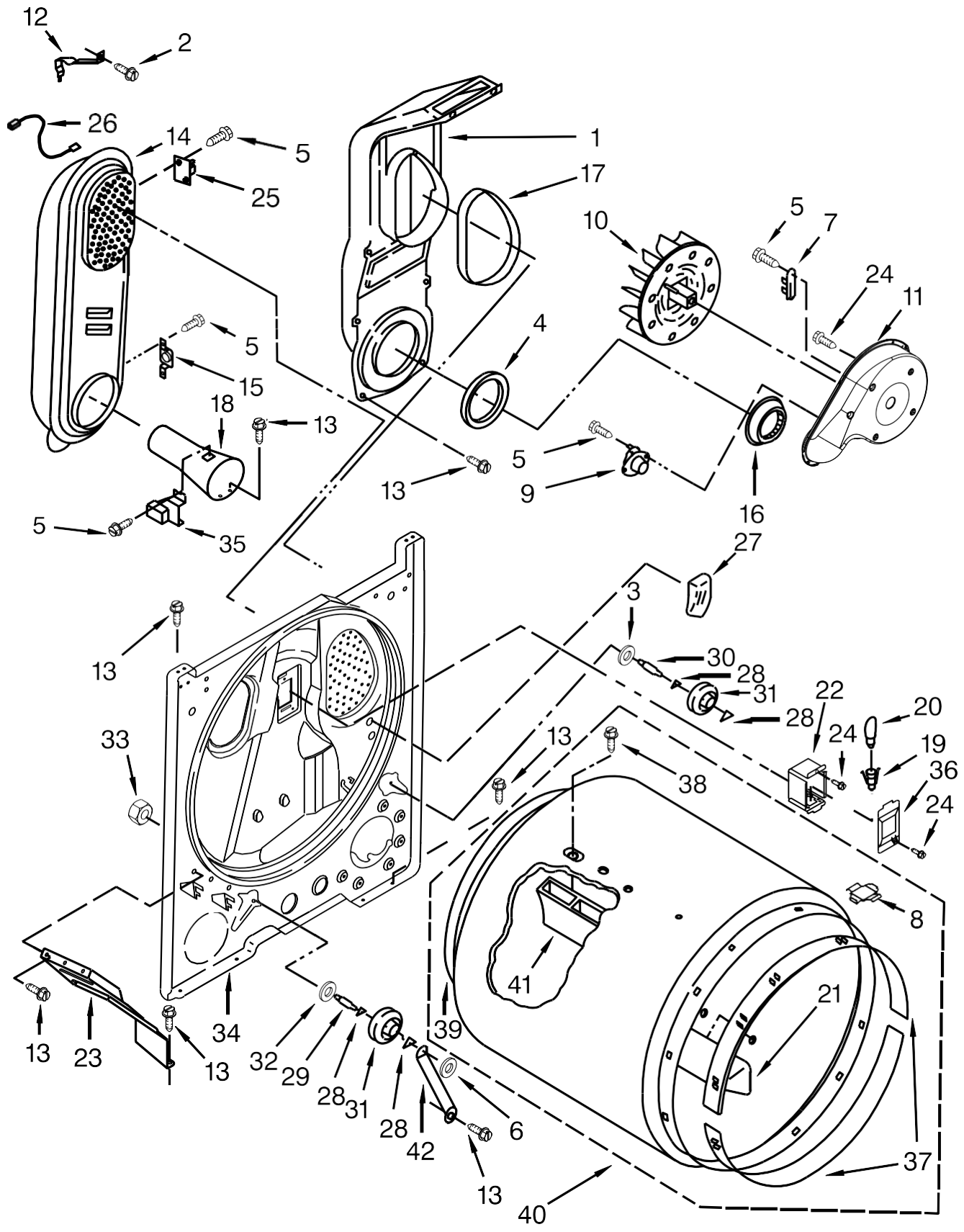


Secadora Maytag 7MWGD1730YW3

<u>Illus. No.</u>	<u>Part No.</u>	<u>Description</u>
1	8533974	Screw
2	343641	Screw
3	693995	Screw
4	W10236073	Bracket, Cabinet
5	3396795	Cover, Terminal Block
6	3404162	Clamp, Motor (With Shield)
7	W10571724	Panel, Rear
8	3390647	Screw
9	3980175	Clamp, Elbow
10	3406107	Switch, Door
11	697773	Screw
12	341029	Clamp, Pipe
13	3357011	Screw
14	W10041960	Spring, Door
15	8066217	Hinge, Top
16	3392100	Foot, Dryer
	279810	Foot, Optional (Extended Length Package Of 2) (Not Included)

<u>Illus. No.</u>	<u>Part No.</u>	<u>Description</u>
17	342043	Screw
18		Cabinet
	8530603	White
19	98234	Clip, Ground
20	8066092	Lock, Front Top
21		Panel, Front
	3395197	White
22	W10121316	Clamp, Motor Mount
23	685203	Clip, Felt Pad
24	3389441	Assembly, Door Catch
25	W10389571	Seal, Door
26	337189	Clip, Hinge
27	342055	Screw
28	8066056	Hinge, Door (Right)
	8066057	Hinge, Door (Left)
29	W10396032	Assembly, Motor
30	8066184	Pulley, Motor
31	3400500	Bolt

<u>Illus. No.</u>	<u>Part No.</u>	<u>Description</u>
32	348780	Base, Motor
33	696144	Strike, Door
34	W10131364	Belt, Drive
35	695737	Door, Rear
36		Door, Front
	3393549	White
37	W10095180	Handle, Door
38	W10568603	Assembly, Seal and Bearing
39		Plug, Front Panel
	8564457	White
40	691366	Assembly, Idler
41	W10440460	Cord, Power
42	3394083	Clip, Front Panel
43	8318272	Burner Assembly (60 Hz) (Type 1) (White Rodgers)
44	3390631	Screw
45	W10595510	Tape, Foil
46	W10575896	Clip, Spring





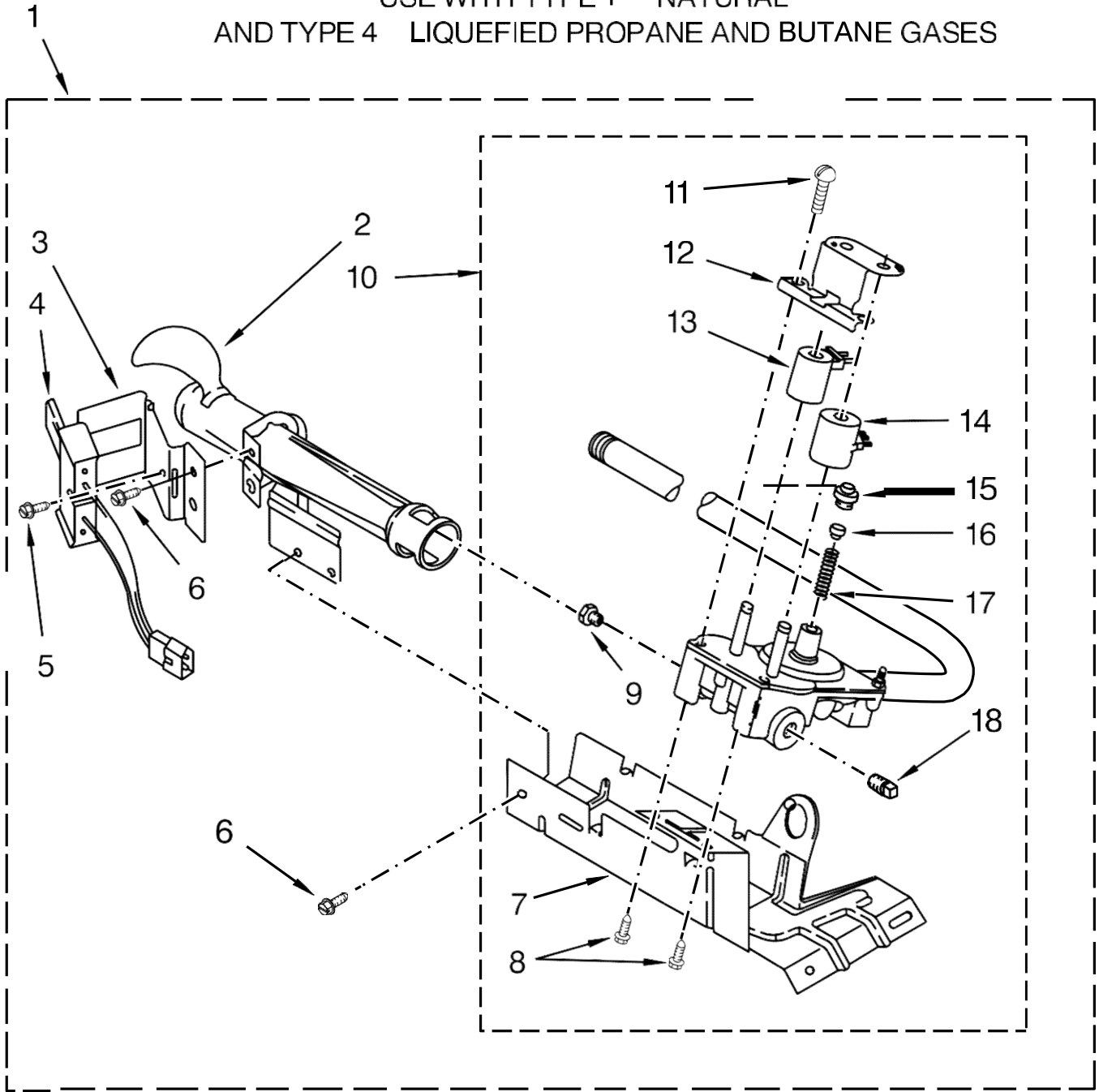
Secadora Maytag 7MWGD1730YW3

<u>Illus. No.</u>	<u>Part No.</u>	<u>Description</u>
1	348368	Assembly, Lint Chute
2	489463	Screw
3	3388703	Washer
4	347139	Seal, Lint Chute
5	90767	Screw
6	90296	Nut, Push On
7	3392519	Fuse, Thermal (91C)
8	8066086	Plug, Drum Hole
9	8318268	Thermostat
10	694089	Wheel, Blower
11	8577230	Housing, Blower
12	3398161	Clip, Heater Box
13	343641	Screw
14	8530285	Box, Heater (96C)
15	W10423382	Thermostat H.L SPST (180F)
16	W10389567	Shield, Exhaust

<u>Illus. No.</u>	<u>Part No.</u>	<u>Description</u>
17	339956	Seal
18	8066049	Funnel, Burner Light
19	W10214261	Socket, Light
20	3406124	Bulb, Light
21	3403636	Baffle, Drum (Short)
22	3977373	Bracket, Drum Light
23	3406022	Bracket, Bulkhead Chute
24	3390647	Screw
25	W10480709	Kit, Thermal Cut - Off
26	3401707	Jumper, Wire
27	3976479	Pad, Sensor
28	W10512946	Washer, Tri Ring
29	W10359270	Shaft, Drum Roller - Left Hand Thread
30	W10359269	Shaft, Drum Roller - Right Hand Thread
31	3397590	Roller, Support

<u>Illus. No.</u>	<u>Part No.</u>	<u>Description</u>
32	348197	Washer
33	W10298789	Nut, Hex
34	3403414	Bulkhead
35	338906	Sensor, Radiant
36	3402841	Lens, Drum Light
37	692526	Bearing, Ring
38	W10219342	Screw
39	W10389561	Seal, Rear Drum
40	W10389436	Assembly, Drum (Complete)
41	692490	Baffle, Drum (Long)
42	3976434	Bracket, Support

USE WITH TYPE 1 - NATURAL  
 AND TYPE 4 LIQUEFIED PROPANE AND BUTANE GASES







Secadora Maytag 7MWGD1730YW3

<u>Illus. No.</u>	<u>Part No.</u>	<u>Description</u>
1	8318272	Burner Assembly (60 Hz) (Type 1) (White Rodgers)
2	688617	Tube, Burner
3	694298	Bracket, Ignitor
4	686590	Ignitor
5	W10366705	Screw
6	343641	Screw
7	693986	Base, Burner
8	3387057	Screw

<u>Illus. No.</u>	<u>Part No.</u>	<u>Description</u>
9		Orifice, Burner
	234826	Type 1 (Natural)
	229742	Type 4 (Butane)
	234868	Type 4 (Propane)
10	8318277	Valve, Gas (60 Hz)
11	694421	Screw, Coil
12	694538	Bracket, Coil
13	694540	Coil, 60 Hz. (2 Terminal) (Main)
14	694539	Coil, 60 Hz (Split) (3 Terminal) (Pilot Position)

<u>Illus. No.</u>	<u>Part No.</u>	<u>Description</u>
15	694424	Leak, Limiter
16	694423	Screw, Regulator Adjustment
17	694422	Spring, Regulator
18	239822	Plug, Pipe
		Following Parts Not Illustrated
	694572	Conversion Kit (Type 1 and 2) to Type (4) L.P.G.





**Secadora Maytag 7MWGD1730YW3**

**ACCESSORY PARTS**

<u>Illus. No.</u>	<u>Part No. Description</u>
	279948 Kit, Dryer Repair
	346764 Kit, Hold Down
	3406839 Dry Rack
	8522199 Kit, Dryer Vent Testing
	W10071550A Dryer Rack

**PAINT, TOUCH-UP (1/2OZ.)**

<u>Illus. No.</u>	<u>Part No. Description</u>
	72017 White

**PAINT, BULK (1 QT.)**

<u>Illus. No.</u>	<u>Part No. Description</u>
	799344 White

**PAINT, PRESSURIZED SPRAY (12 OZ.)**

<u>Illus. No.</u>	<u>Part No. Description</u>
	350930 White
	350938 Gray Primer