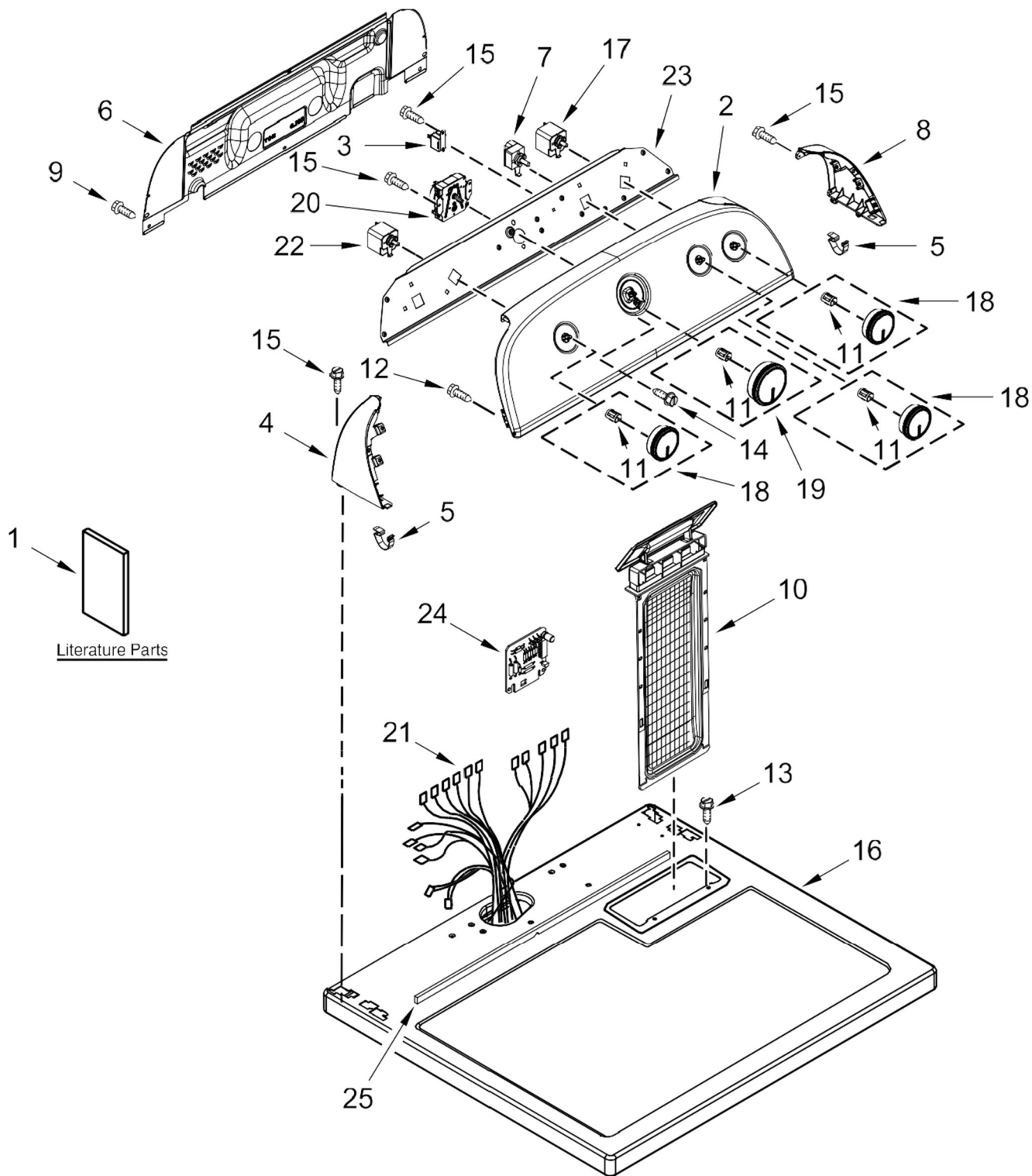


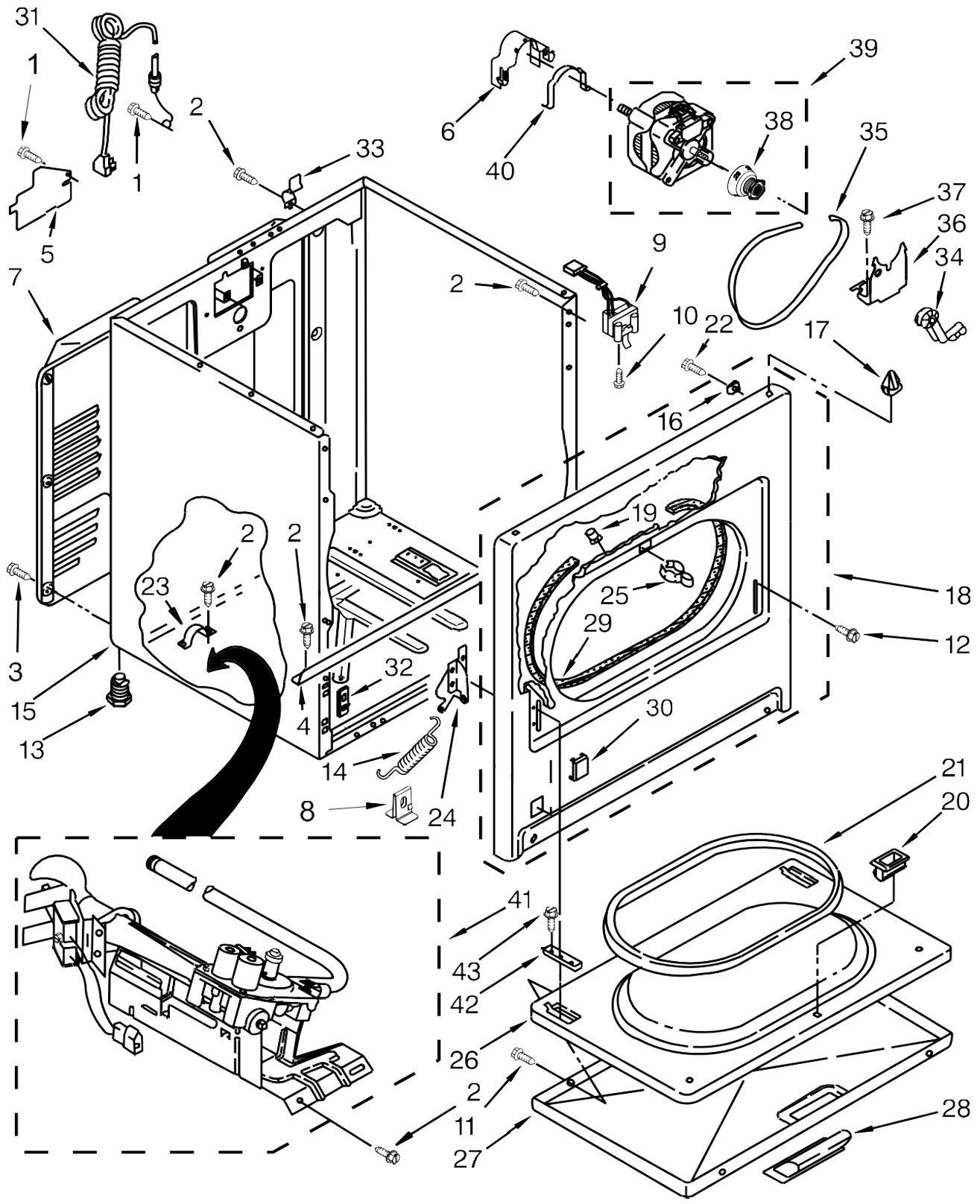
Secadora Whirlpool 7MWGD1930DM1





Secadora Whirlpool 7MWGD1930DM1

| <u>Illus.</u> <u>No.</u> | <u>Part No.</u> | <u>Description</u> | <u>Illus.</u> <u>No.</u> | <u>Part No.</u> | <u>Description</u> | <u>Illus.</u> <u>No.</u> | <u>Part No.</u> | <u>Description</u> |
|-----------------------------|----------------------------|----------------------------|-----------------------------|-----------------|---------------------------------|-----------------------------|-----------------|-------------------------|
| 1 | Literature Parts W10652257 | Use and Care Guide | 9 | 693995 | Screw | 20 | W10185992 | Timer Assembly (60 Hz.) |
| | W10678653 | Instructions, Installation | 10 | | Lint Screen | 21 | W10640708 | Harness, Wiring |
| | W10663990 | Diagram, Wiring | | W10717210 | White | 22 | 3405155 | Switch, Temperature |
| 2 | | Assembly, Console | 11 | 8536939 | Clip, Spring | 23 | W10556828 | Bracket, Control |
| | W10704155 | White | 12 | 3400818 | Screw | 24 | W10476828 | Control, Electronic |
| 3 | 694419 | Buzzer, Mini | 13 | 688983 | Screw | 25 | W10316616 | Seal, Foam |
| 4 | | End Cap (Left) W10520782 | 14 | 8533974 | Screw | | | |
| | | White | 15 | 3348629 | Screw | | | |
| 5 | 8312709 | Clip, Console | 16 | | Top | | | |
| 6 | W10556829 | Panel, Rear (Console) | | 8559800 | White | | | |
| 7 | 3405156 | Switch, Wrinkle Guard | 17 | W10117655 | Switch, Push ToStart | | | |
| 8 | | End Cap (Right) W10520780 | 18 | | Assembly, Control KnobW10576636 | | | |
| | | White | | | White/Metallic | | | |
| | | | 19 | | Assembly, Timer KnobW10576634 | | | |
| | | | | | White/Metallic | | | |



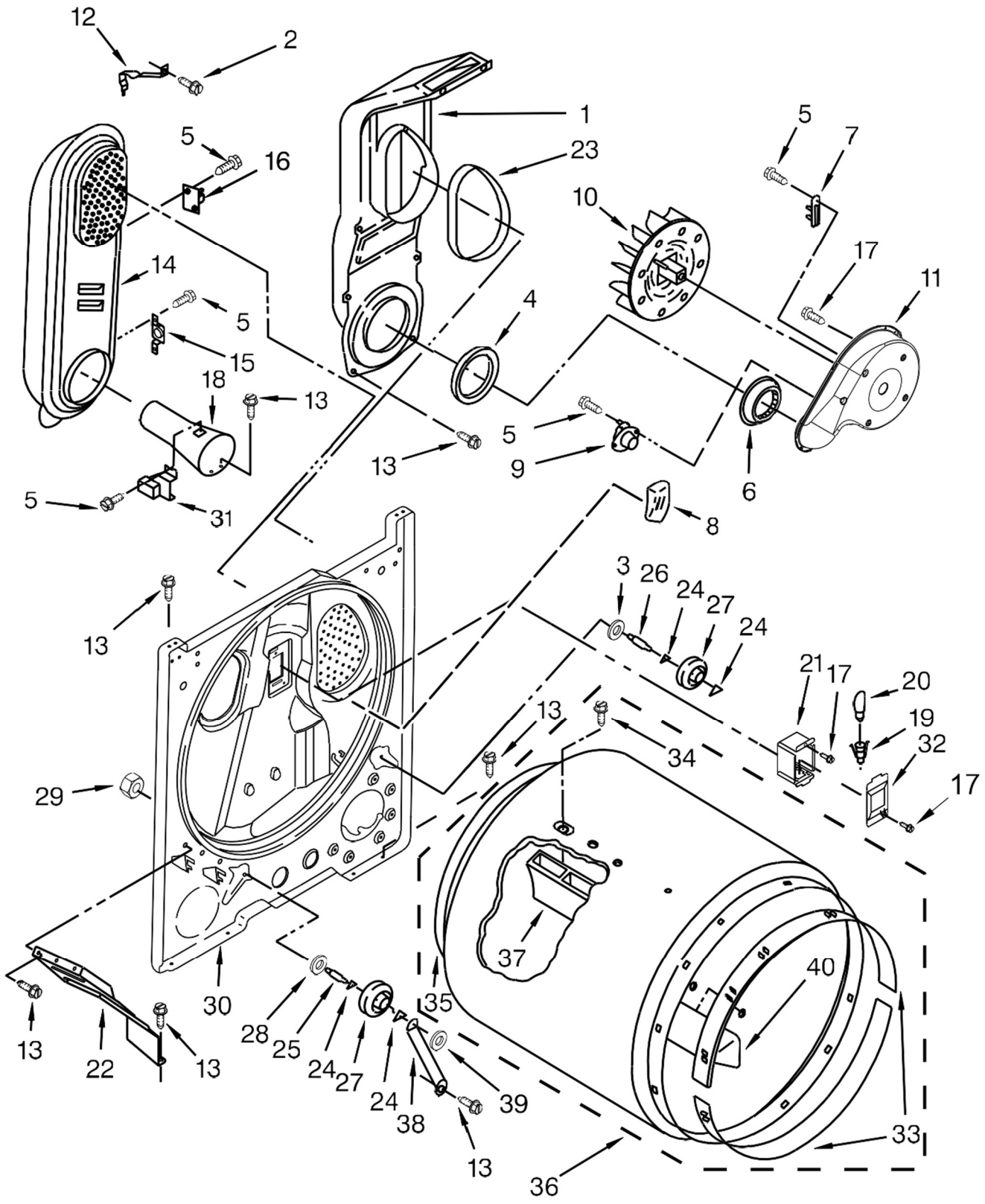


Secadora Whirlpool 7MWGD1930DM1

| <u>Illus. No.</u> | <u>Part No.</u> | <u>Description</u> |
|-------------------|-----------------|----------------------------|
| 1 | 8533974 | Screw |
| 2 | 3390631 | Screw |
| 3 | 693995 | Screw |
| 4 | W10236073 | Bracket, Cabinet |
| 5 | 3396795 | Cover, TerminalBlock |
| 6 | 3404162 | Clamp, Motor (With Shield) |
| 7 | W10571724 | Panel, Rear |
| 8 | W10575896 | Clip, Spring |
| 9 | W10569603 | Switch, Door |
| 10 | 697773 | Screw |
| 11 | 342055 | Screw |
| 12 | 342043 | Screw |
| 13 | W10561321 | Foot, Dryer |
| 14 | W10041960 | Spring, Door |
| 15 | 8530603 | White Cabinet |
| 16 | 98234 | Clip, Ground |

| <u>Illus. No.</u> | <u>Part No.</u> | <u>Description</u> |
|-------------------|-----------------|----------------------------|
| 17 | 8066092 | Lock, Front Top |
| 18 | | Panel, Front |
| | 3395197 | White |
| 19 | 685203 | Clip, Felt Pad |
| 20 | 3389441 | Assembly, DoorCatch |
| 21 | W10389571 | Seal, Door |
| 22 | 343641 | Screw |
| 23 | 341029 | Clamp, Pipe |
| 24 | 8066056 | Hinge, Door (Right) |
| | 8066057 | Hinge, Door (Left) |
| 25 | 696144 | Strike, Door |
| 26 | 695737 | Door, Rear |
| 27 | | Door, Outer |
| | 3393549 | White |
| 28 | W10861225 | White handle |
| 29 | W10663510 | Assembly, Seal and Bearing |

| <u>Illus. No.</u> | <u>Part No.</u> | <u>Description</u> |
|-------------------|-----------------|--|
| 30 | | Plug, Hinge Hole 8564457 White |
| 31 | 344020 | Cord, Power |
| 32 | 3394083 | Clip, Front Panel |
| 33 | 8066217 | Hinge, Top |
| 34 | 691366 | Idler Assembly |
| 35 | W10131364 | Belt, Drive |
| 36 | 348780 | Base, Motor |
| 37 | 3400500 | Bolt |
| 38 | 8066184 | Pulley, Motor |
| 39 | W10396029 | Assembly, Motor |
| 40 | W10121316 | Clamp, Motor Mount |
| 41 | W10336852 | Burner Assembly (60 Hz) (Type 1 and 2) |
| 42 | 337189 | Clip, Hinge |
| 43 | 3357011 | Screw |



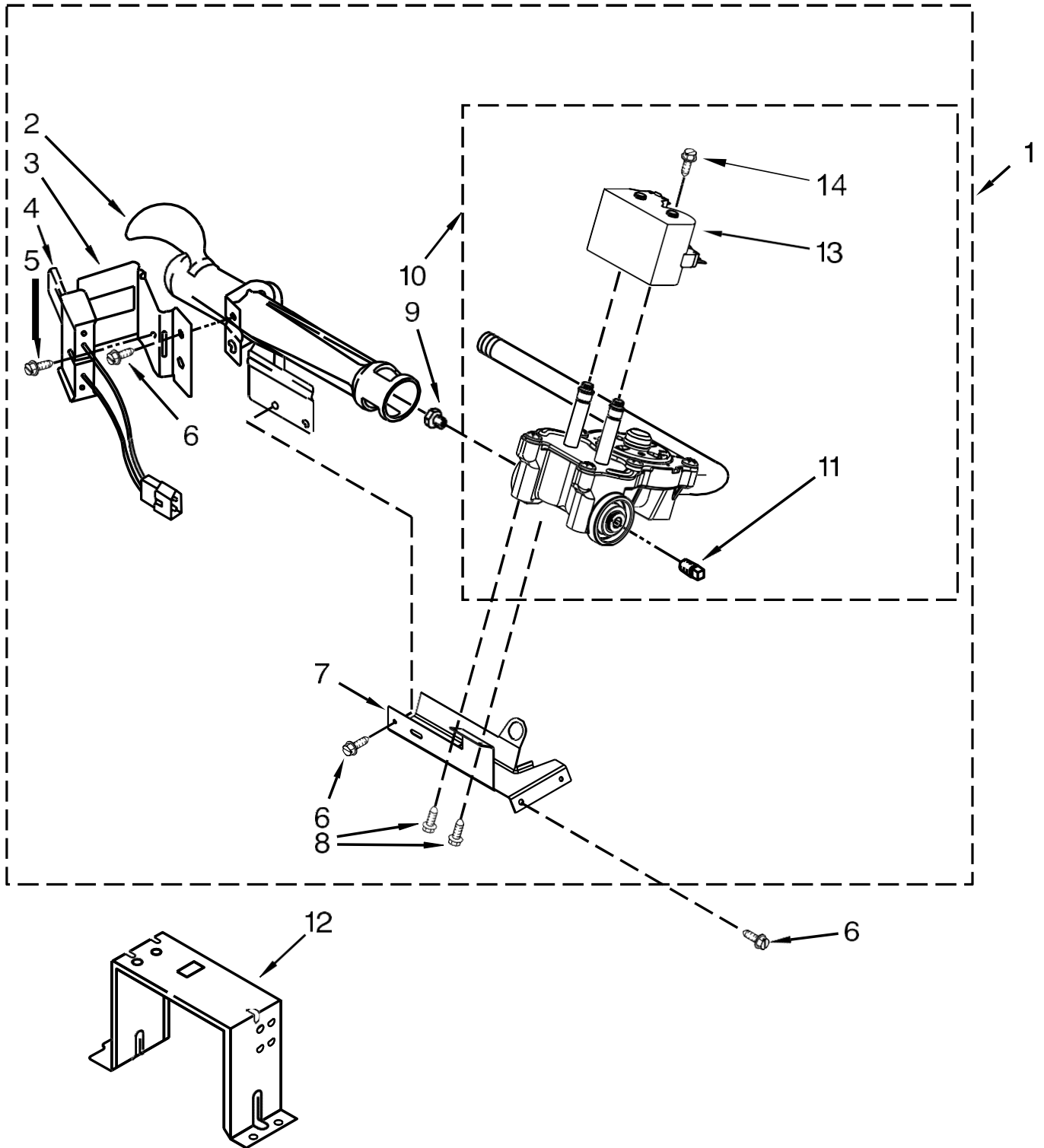


Secadora Whirlpool 7MWGD1930DM1

| <u>Illus. No.</u> | <u>Part No.</u> | <u>Description</u> |
|-------------------|-----------------|----------------------------|
| 1 | 348368 | Assembly, Lint Chute |
| 2 | 489463 | Screw |
| 3 | 3388703 | Washer |
| 4 | 347139 | Seal, Lint Chute |
| 5 | 90767 | Screw |
| 6 | W10389567 | Shield, Exhaust |
| 7 | 3392519 | Fuse, Thermal (91C) |
| 8 | 3976479 | Pad, Sensor |
| 9 | 8318268 | Thermostat |
| 10 | 694089 | Wheel, Blower |
| 11 | 8577230 | Housing, Blower |
| 12 | 3398161 | Clip, Heater Box |
| 13 | 3390631 | Screw |
| 14 | 8530285 | Box, Heater (96C) |
| 15 | W10423382 | Thermostat H.L SPST (180F) |

| <u>Illus. No.</u> | <u>Part No.</u> | <u>Description</u> |
|-------------------|-----------------|--|
| 16 | 3977394 | Thermal Cut-Off |
| 17 | 3390647 | Screw |
| 18 | 8066049 | Funnel, Burner Light |
| 19 | W10214261 | Socket, Light |
| 20 | 3406124 | Bulb, Light |
| 21 | 3977373 | Bracket, Drum Light |
| 22 | 3406022 | Bracket, Bulkhead Chute |
| 23 | 339956 | Seal |
| 24 | W10512946 | Washer, Tri Ring |
| 25 | W10359270 | Shaft, Drum Roller -Left Hand Thread |
| 26 | W10359269 | Shaft, Drum Roller - Right Hand Thread |
| 27 | 3397590 | Roller, Support |
| 28 | 348197 | Washer |
| 29 | W10298789 | Nut, Hex |

| <u>Illus. No.</u> | <u>Part No.</u> | <u>Description</u> |
|-------------------|-----------------|---------------------------|
| 30 | 3403414 | Bulkhead |
| 31 | 338906 | Sensor, Radiant |
| 32 | 3402841 | Lens, Drum Light |
| 33 | 692526 | Bearing, Ring |
| 34 | W10219342 | Screw |
| 35 | W10663495 | Seal, Rear Drum |
| 36 | W10389436 | Assembly, Drum (Complete) |
| 37 | 692490 | Baffle, Drum (Long) |
| 38 | 3976434 | Bracket, Support |
| 39 | 90296 | Nut, Push On |
| 40 | 3403636 | Baffle, Drum (Short) |





Secadora Whirlpool 7MWGD1930DM1

| <u>Illus. No.</u> | <u>Part No.</u> | <u>Description</u> |
|-------------------|-----------------|--|
| 1 | W10336852 | Burner Assembly (60 Hz) (Type 1 and 2) |
| 2 | 688617 | Tube, Burner |
| 3 | 694298 | Bracket, Ignitor |
| 4 | 686590 | Ignitor |
| 5 | W10366705 | Screw |
| 6 | 343641 | Screw |

| <u>Illus. No.</u> | <u>Part No.</u> | <u>Description</u> |
|-------------------|-----------------|--|
| 7 | 693986 | Base, Burner |
| 8 | 3387057 | Screw |
| 9 | | Orifice, Burner 234826 Type 1 (Natural) |
| 10 | W10304604 | Valve, Gas (60 Hz) |
| 11 | W10295523 | Pipe Plug |

| <u>Illus. No.</u> | <u>Part No.</u> | <u>Description</u> |
|-------------------|-----------------|--|
| 12 | 3389889 | Bracket, Support |
| 13 | W10328463 | Coil (60 Hz) |
| 14 | 326049536 | Screw |
| | | Following Parts Not Illustrated |
| | W10307153 | Conversion Kit (Type 1 and 2) to Type (4) L.P.G. |



Secadora Whirlpool 7MWGD1930DM1

ACCESSORY PARTS

| <u>Illus.</u> <u>No.</u> | <u>Part No.</u> <u>Description</u> |
|-----------------------------|---|
| | 279948 Kit, Dryer Repair |
| | 346764 Kit, Hold Down |
| | 8522199 Kit, Dryer Vent Testing |
| | W10071550A Dryer Rack |
| | W10676169 BAG ASSEMBLY, INCLUDES THE FOLLOWING: |
| | W10439655 Hose, Inlet (2') |
| | 3976300 Washer, Inlet Hose |
| | W10336486 Connector, Hose -"Y" |

PAINT, TOUCH-UP (1/2OZ.)

| <u>Illus.</u> <u>No.</u> | <u>Part No.</u> <u>Description</u> |
|-----------------------------|------------------------------------|
| | 72017 White |

PAINT, BULK (1 QT.)

| <u>Illus.</u> <u>No.</u> | <u>Part No.</u> <u>Description</u> |
|-----------------------------|------------------------------------|
| | 799344 White |

PAINT, PRESSURIZED SPRAY (12 OZ.)

| <u>Illus.</u> <u>No.</u> | <u>Part No.</u> <u>Description</u> |
|-----------------------------|------------------------------------|
| | 350930 White |
| | 350938 Gray Primer |