

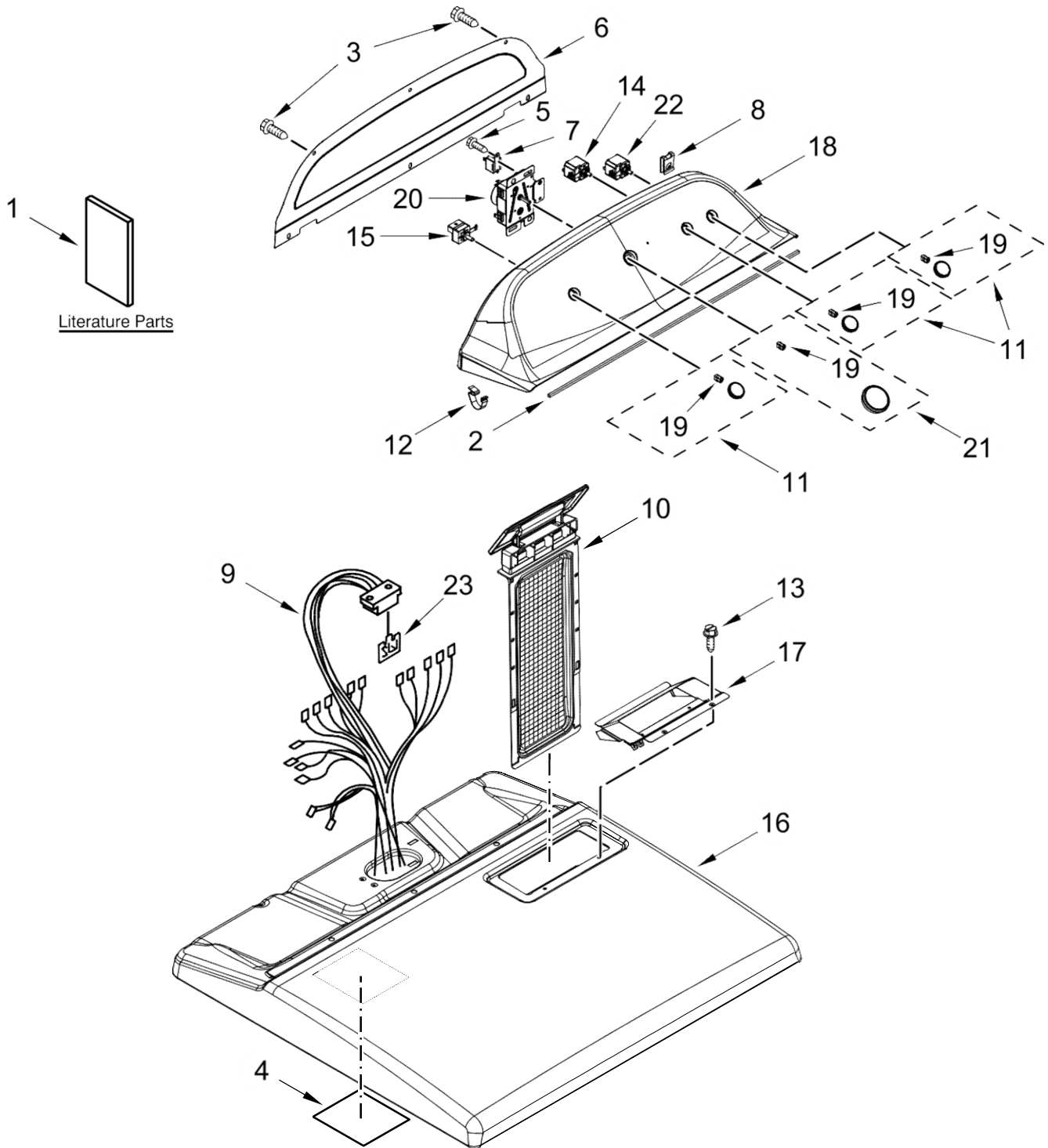


## **GAS DRYER**

### **MODELS:**

7MWGD1950EI01 (White)

# SECADORA 7MWGD1950EI01



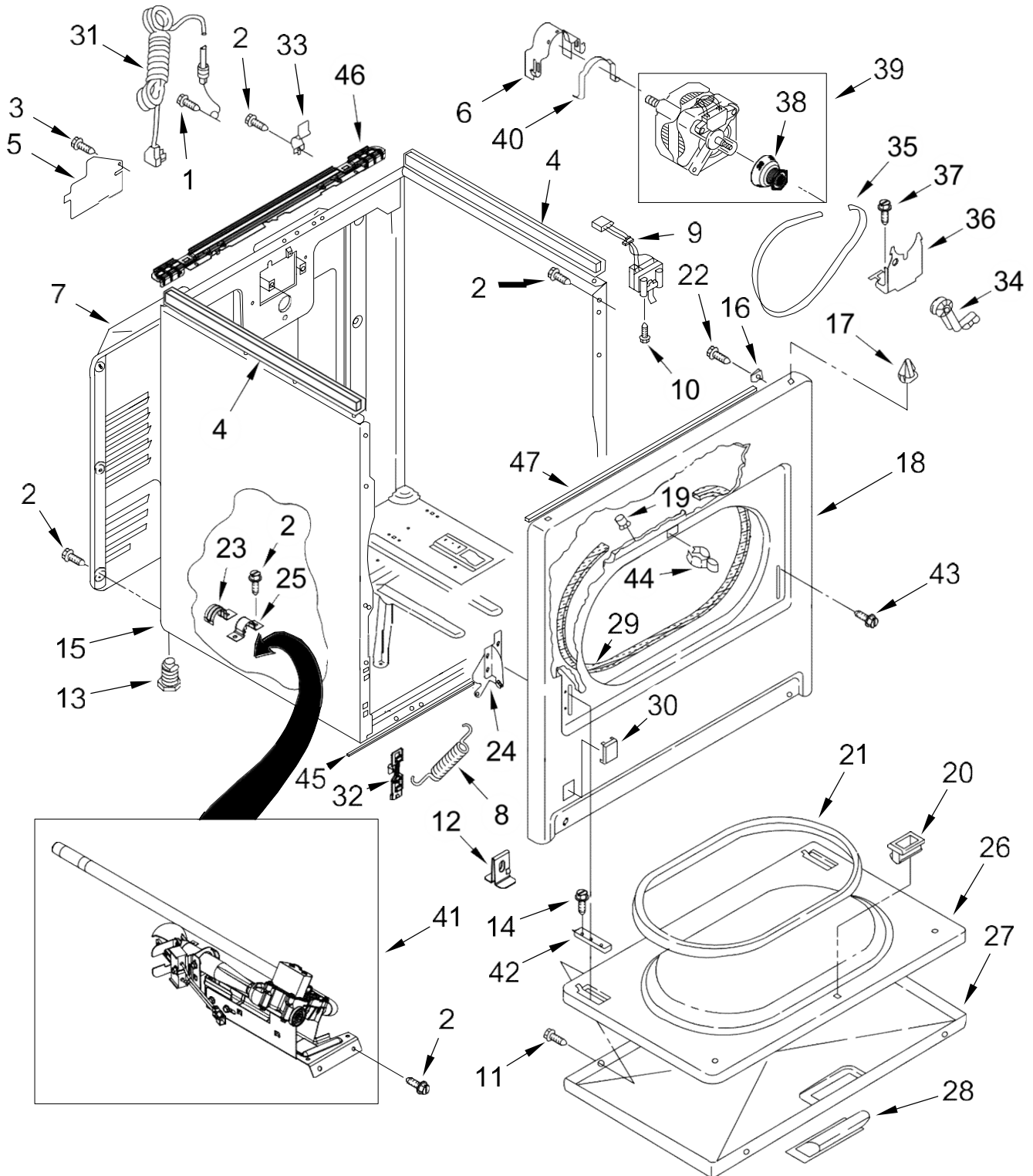
# SECADORA 7MWGD1950EI01

<u>Illus. No.</u>	<u>Part No.</u>	<u>Description</u>
1		Literature Parts
	W10791287	Installation Instructions
	W10791286	Use and Care Guide
	W10876321	Wiring Diagram
2	W10726632	Seal, Console
3	693995	Screw
4	W10836097	Panel, Dampening
5	9740848	Screw
6	W10756582	Panel, Rear
7	694419	Buzzer, Mini
8	W10298336	Nut, "U"

<u>Illus. No.</u>	<u>Part No.</u>	<u>Description</u>
9	W10865744	Harness, Wiring
10		Lint Screen
	W10508973	White
11	Assembly, KnobW10766132	Chrome
12	8312709	Clip, Console
13	688983	Screw
14	W10446920	Switch, Push to Start
15	W10562713	Switch, Rotary (Temperature)
16		Top
	W10613389	White

<u>Illus. No.</u>	<u>Part No.</u>	<u>Description</u>
17	W10662472	Collar, Lint Chute
18		Assembly, Console
	W10791109	White
19	8536939	Clip, Spring
20	W10685025	Assembly, Timer
21		Assembly, Timer Knob
	W10777242	Chrome
22	W10648614	Switch, Rotary (Temperature)
23	W10476828	Control, Electronic

# SECADORA 7MWGD1950EI01



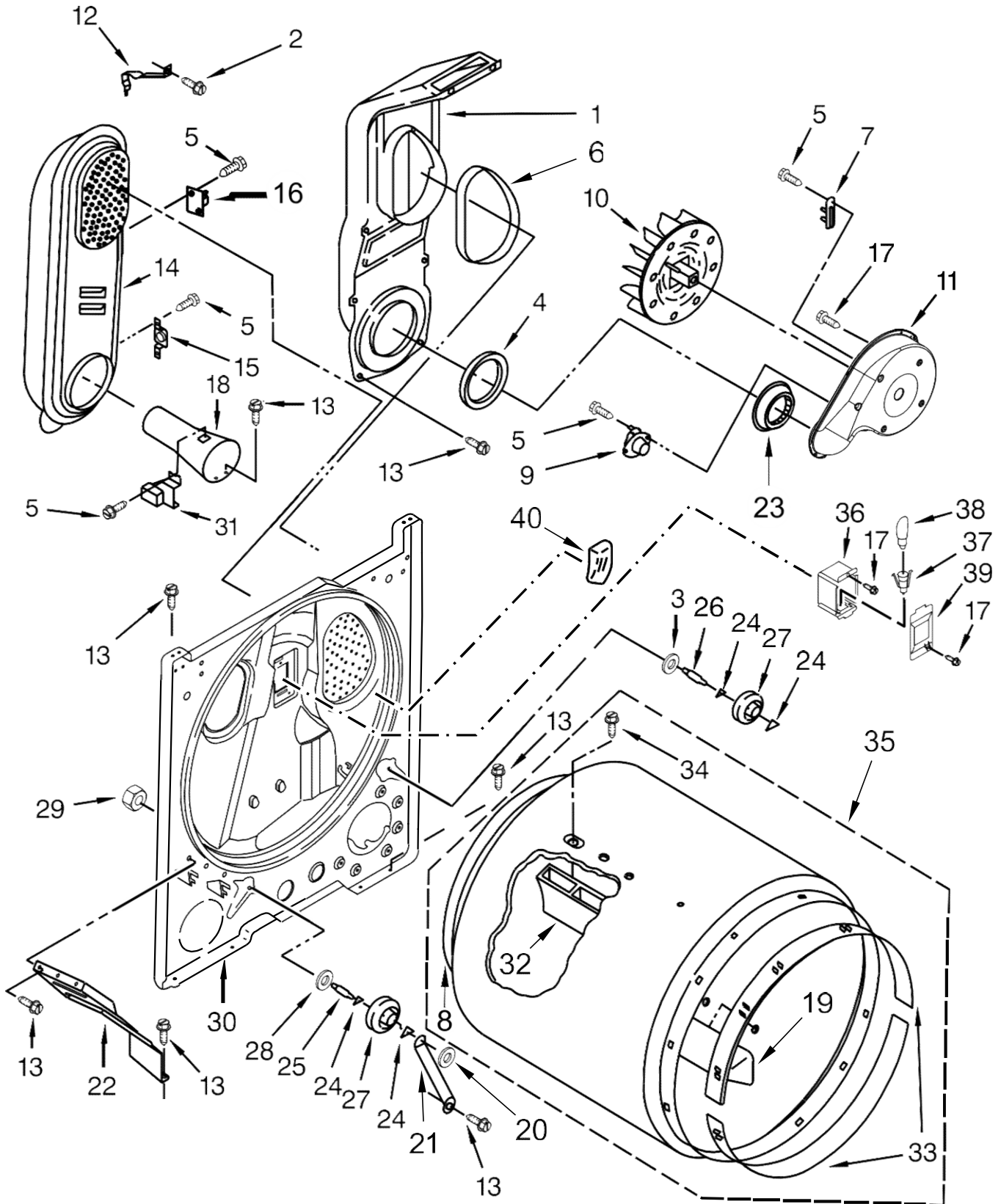
# SECADORA 7MWGD1950EI01

<u>Illus. No.</u>	<u>Part No.</u>	<u>Description</u>
1	W10773242	Screw
2	3390631	Screw
3	693995	Screw
4	W10316529	Seal, Foam
5	3396795	Cover, Terminal Block
6	3404162	Clamp, Motor (With Shield)
7	W10571724	Panel, Rear
8	W10041960	Spring, Door
9	W10569603	Switch, Door
10	697773	Screw
11	342055	Screw
12	W10575896	Clip, Spring
13	W10754507	Foot, Dryer
14	3357011	Screw
15		Cabinet
	8530603	White
16	98234	Clip, Ground
17	8066092	Lock, Front Top
18		Panel, Front
	W10664692	White

<u>Illus. No.</u>	<u>Part No.</u>	<u>Description</u>
19	685203	Clip, Felt Pad
20	3389441	Assembly, Door Catch
21	W10823580	Seal, Door
22	343641	Screw
23	341029	Clamp, Pipe
24	8066056	Hinge, Door (Right)
	8066057	Hinge, Door (Left)
25	W10727507	Clamp, Pipe
26	695737	Door, Rear
27		Door, Outer
	W10714515	White
28		Handle, Door
	W10714516	White
29	W10803476	Assembly, Seal and Bearing
30		Plug, Hinge Hole
	8564457	White
31	344020	Cord, Power
32	W10775448	Clip, Front Panel
33	W10641296	Hinge, Top

<u>Illus. No.</u>	<u>Part No.</u>	<u>Description</u>
34	691366	Idler Assembly
35	W10131364	Belt, Drive
36	348780	Base, Motor
37	3400500	Bolt
38	8066184	Pulley, Motor
39	W10396029	Assembly, Motor
40	W10121316	Clamp, Motor Mount
41	W10336852	Burner Assembly (60 Hz) (Type 1 and 2)
42	337189	Clip, Hinge
43	342043	Screw
44	696144	Strike, Door
45	W10841728	Seal, Spill Guard
46	W10641295	Bracket, Rear
47	W10316619	Seal, Spill Guard

# SECADORA 7MWGD1950EI01



# SECADORA 7MWGD1950EI01

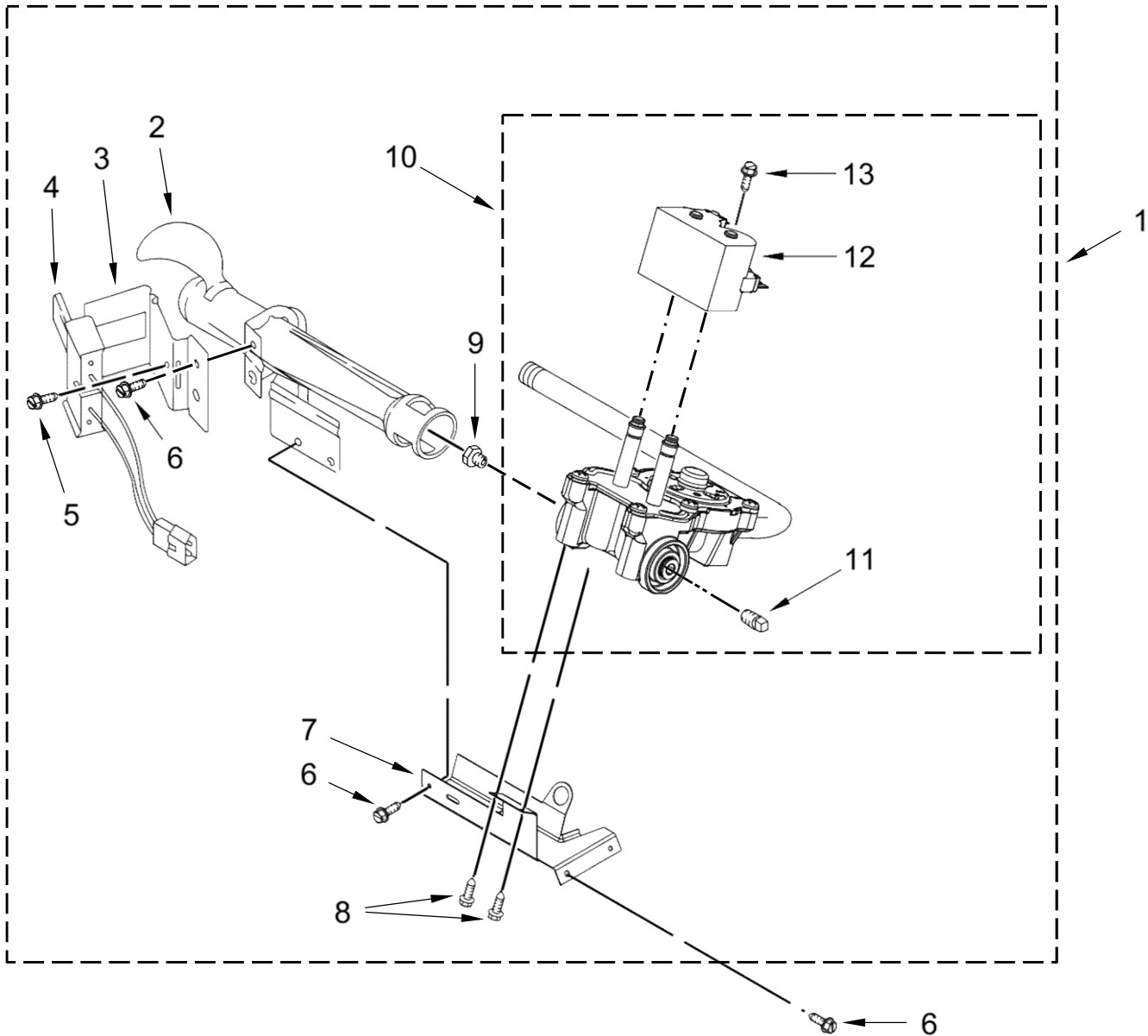
<u>Illus. No.</u>	<u>Part No.</u>	<u>Description</u>
1	348368	Assembly, Lint Chute
2	489463	Screw
3	3388703	Washer
4	347139	Seal, Lint Chute
5	90767	Screw
6	339956	Seal
7	3392519	Fuse, Thermal (91C)
8	W10856781	Seal, Rear Drum
9	8318268	Thermostat
10	694089	Wheel, Blower
11	8577230	Housing, Blower
12	3398161	Clip, Heater Box
13	3390631	Screw
14	8530285	Box, Heater (96C)

<u>Illus. No.</u>	<u>Part No.</u>	<u>Description</u>
15	W10423382	Thermostat, High Limit SPST (180F)
16	W10480709	Kit, Thermal Cut-Off (Includes Thermostat)
17	3390647	Screw
18	8066049	Funnel, Burner Light
19	3403636	Baffle, Drum (Short)
20	90296	Nut, Push On
21	3976434	Bracket, Support
22	3406022	Bracket, Bulkhead Chute
23	W10389567	Shield, Exhaust
24	W10512946	Washer, Tri Ring
25	W10359270	Shaft, Drum Roller - Left Hand Thread
26	W10359269	Shaft, Drum Roller - Right Hand Thread

<u>Illus. No.</u>	<u>Part No.</u>	<u>Description</u>
27	3397590	Roller, Support
28	348197	Washer
29	W10298789	Nut, Hex
30	3403414	Bulkhead
31	338906	Sensor, Radiant
32	692490	Baffle, Drum (Long)
33	692526	Bearing, Ring
34	W10219342	Screw
35	W10757750	Assembly, Drum (Complete)
36	8578825	Bracket, Drum Light
37	W10214261	Socket, Light
38	3406124	Bulb, Light
39	3402841	Lens, Drum Light
40	W10681051	Pad, Sensor

# SECADORA 7MWGD1950EI01

USE WITH TYPE 1 - NATURAL, TYPE 2 - MIXED,  
AND TYPE 4 - LIQUEFIED PROPANE AND BUTANE GASES





# SECADORA 7MWGD1950EI01

<u>Illus. No.</u>	<u>Part No.</u>	<u>Description</u>
1	W10336852	Burner Assembly (60 Hz) (Type 1 and 2)
2	688617	Tube, Burner
3	694298	Bracket, Ignitor
4	686590	Ignitor
5	W10366705	Screw

<u>Illus. No.</u>	<u>Part No.</u>	<u>Description</u>
6	343641	Screw
7	693986	Base, Burner
8	3387057	Screw
9		Orifice, Burner
	234826	Type 1 (Natural)
10	W10622159	Valve, Gas

<u>Illus. No.</u>	<u>Part No.</u>	<u>Description</u>
11	W10295523	Pipe Plug
12	W10328463	Coil (60 Hz)
13	326049536	Screw
		Following Parts Not Illustrated
	49572A	Conversion Kit (Type 1 and 2) to Type (4) L.P.G.

# OPTIONAL PARTS (NOT INCLUDED)

## PAINT, TOUCH-UP (1/2OZ.)

<u>Illus.</u> <u>No.</u>	<u>Part No.</u>	<u>Description</u>
	72017	White

## PAINT, BULK (1 QT.)

<u>Illus.</u> <u>No.</u>	<u>Part No.</u>	<u>Description</u>
	799344	White (Uncut)

## ACCESSORY PARTS

<u>Illus.</u> <u>No.</u>	<u>Part No.</u>	<u>Description</u>
	279948	Kit, Dryer Repair
	346764	Kit, Hold Down
	8522199	Kit, Dryer Vent Testing
	W10322470A	Dry Rack

## PAINT, PRESSURIZED SPRAY (12 OZ.)

<u>Illus.</u> <u>No.</u>	<u>Part No.</u>	<u>Description</u>
	350930	White
	350938	Gray Primer