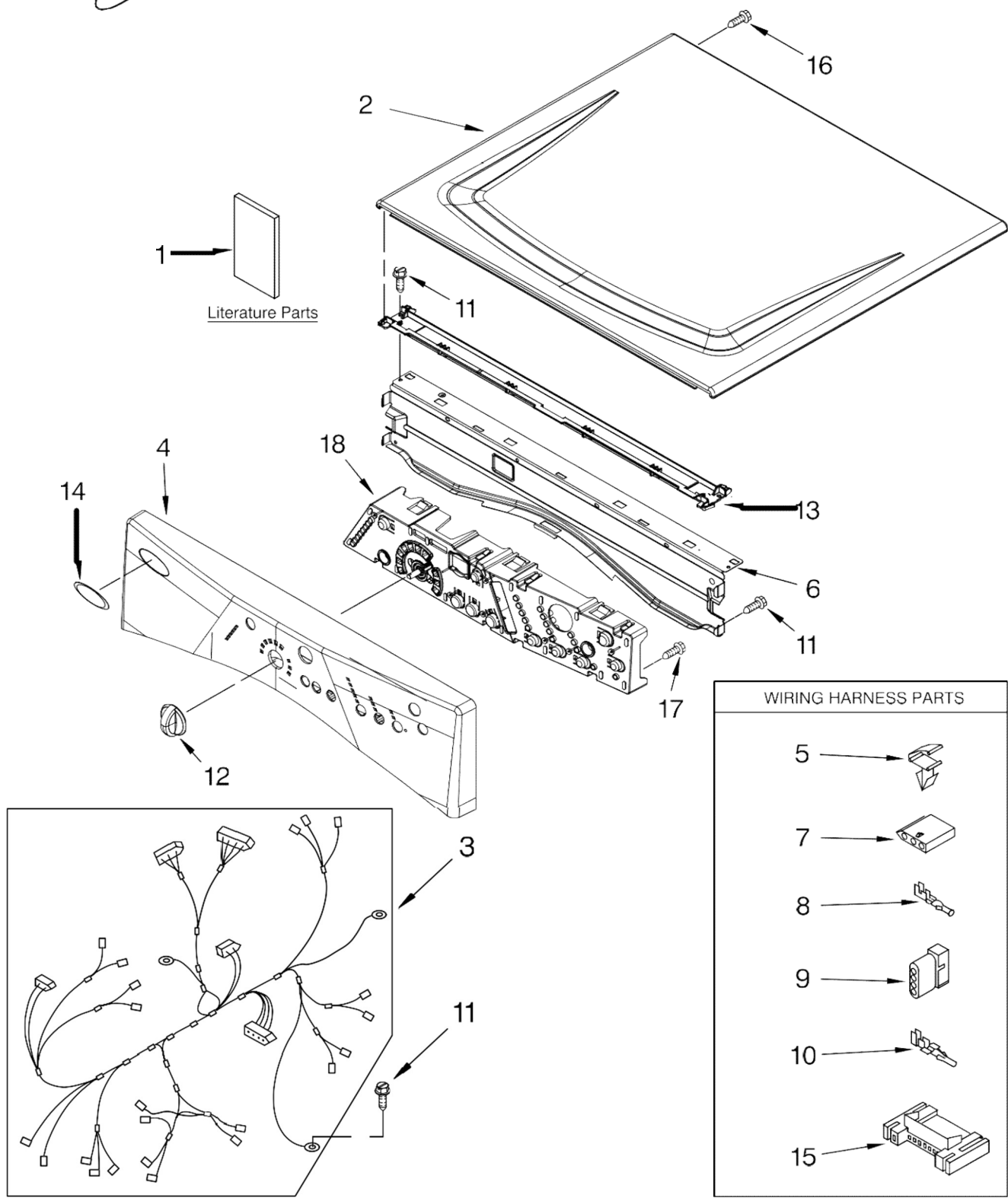




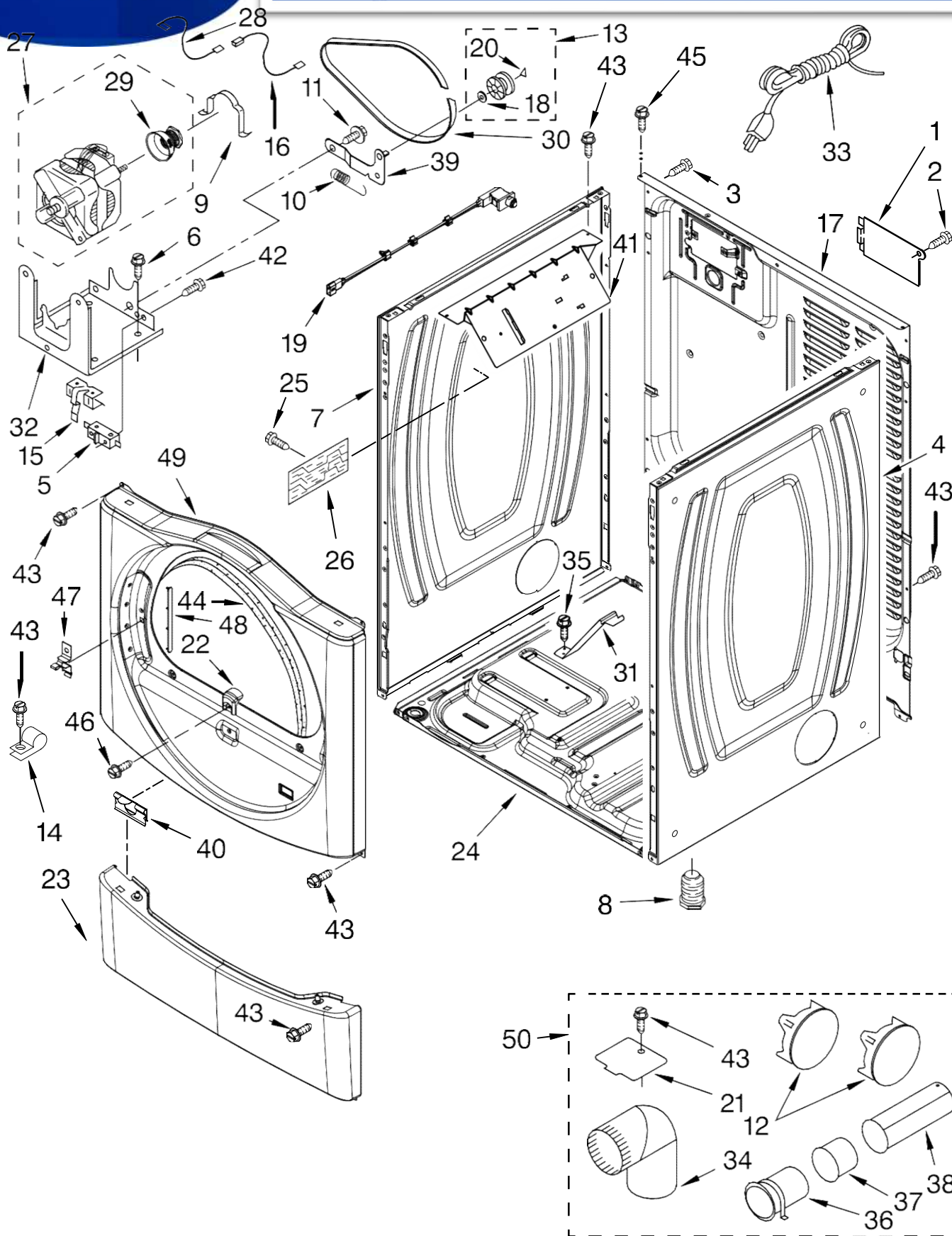
SECADORA 7MWGD8300SW2



WIRING HARNESS PARTS

- 5 → [Image of part 5]
- 7 → [Image of part 7]
- 8 → [Image of part 8]
- 9 → [Image of part 9]
- 10 → [Image of part 10]
- 15 → [Image of part 15]

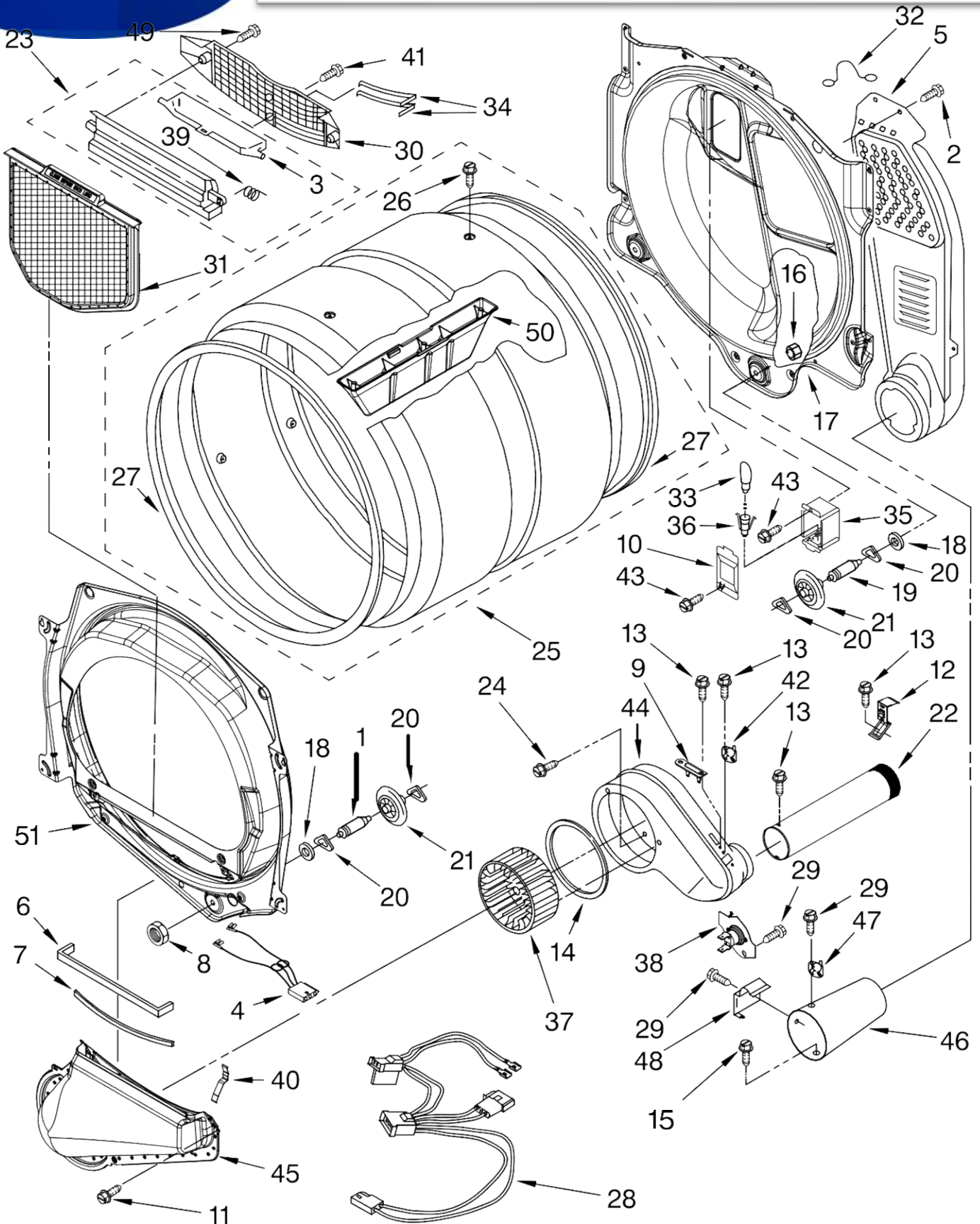
Illus. No.	Part No.	DESCRIPTION
1		Literature Parts
	W10116546	Use & Care Guide
	W10116548	Guide, Quick Start
	W10116547	Tech Sheet
2	8563730	Top
3	W10110973	Harness, Main
4	W10099598	Panel, Console
5	3394427	Clip, Harness
6	8565237	Bracket, Console
7	353424	Connector, Sensor
8	94614	Terminal
9	3936144	Plug, Terminal
10	94613	Terminal
11	3390647	Screw, 8-18 x 1/2
12	8574974	Knob, Control
13	8574968	Channel, Water
14	W10117943	Badge, Assembly
15	3395683	Connector, (Motor)
16	3400238	Screw, 2-28 x 1/2
17	3400238	Screw, 2-28 x 1/2
18	8571955	Assembly, User Interface





SECADORA 7MWGD8300SW2

Illus. No.	Part No.	DESCRIPTION	Illus. No.	Part No.	DESCRIPTION	Illus. No.	Part No.	DESCRIPTION
1	8317340	Cover, Terminal Block	20	W10121334	Washer	39	3388674	Idler Bracket
2	3390814	Screw, 8-18 x 3/8	21	8066115	Cover-Plate	40	8519459	Clip, Toe Panel
3	8533974	Screw Ground	22	8580015	Ramp, Door	41	8563727	Bracket, Control
4	8565048	Panel, Side (R.H.)	23	8540621	Panel, Toe	42	98129	Screw, 6-20 x 1 1/16
5	3394881	Switch, Broken Belt	24	8565046	Base, Cabinet	43	3390647	Screw, 8-18 x 1/2
6	343641	Screw, 10-16 x 1/2	25	8533971	Screw, 8-16 x 5/16	44	3387242	Seal, Front Panel
7	8565054	Panel, Side (L.H.)	26	W10111606	Board, Control	45	3393008	Screw, 10-16 x 1/2
8	3392100	Foot, Dryer	27	8538263	Motor Assembly 60 HZ.	46	3357011	Screw, 10-16 x 1/2
	279810	Foot - Optional (Extended Length Package Of 2) (Not Included)	28	3398948	Wire, Jumper (Broken Belt Switch)	47	8565122	Strike, Door (1)
9	660658	Clamp, Motor (2)	29	8578220	Pulley 60 HZ.	48	8565043	Plug, Strip Front Panel
10	3387374	Spring, Idler	30	3387610	Belt, Drive	49	8580257	Front Panel (Includes, Item. 44)
11	3389420	Retainer, Idler	31	8529757	Bracket, Burner	Optional Parts Not Included		
12	697750	Plug, Multivent	32	3387118	Bracket, Motor	Dryer Exhaust Kit (For Side & Bottom Venting)		
13	3388672	Pulley Assembly	33	3401401	Cord, Power			
14	3978776	Bracket, Gas Pipe	34	49026	4" - 90° Elbow			
15	8066120	Lever, Snap Switch	35	693995	Screw, 8-18 x 3/8			
16	3394081	Wire, Belt Switch	36	8563747	Exhaust Pipe & Bracket			
17	8565059	Panel, Rear	37	8563750	Exhaust Pipe (Short)			
18	233520	Washer, Thrust	38	8563749	Exhaust Pipe (Long)	50	279818	White
19	8574875	Switch, Assembly Door						



Illus. No.	Part No.	DESCRIPTION
1	8575325	Shaft, R.H. Thread
2	3390647	Screw, 8-18 x 1/2
3	W10153413	Door, Lint Screen
4	3406653	Harness, Sensor
5	3394346	Air Duct Assembly
6	697813	Seal, Outlet Housing
7	697814	Seal, Drum Front
	3934666	Nut, 3/8 x 16(R.H.)
9	3392519	Thermal Fuse
10	3402841	Lens, Drum Light
11	359625	Screw, 8-18 x 1/2
12	8572105	Clip, Exhaust Pipe
13	8533971	Screw, 8-18 x 5/16
14	697770	Seal, Cover Plate
15	693995	Screw, 8-18 x 3/8
16	W10001120	Nut, 3/8-16 (L.H.)
17	W10080170	Bulkhead, Rear
18	3387459	Washer, Support

Illus. No.	Part No.	DESCRIPTION
19	8575324	Shaft, L.H. Thread
20	690997	Ring, Tri
21	8536973	Roller, Support
22	8563728	Exhaust Pipe
23	W10153423	Housing, Outlet Assembly
24	489463	Screw, 8-18 x 5/8
25	W10153420	Complete Drum Assembly
26	W10109200	Screw, 11-16 x 3/4
27	697694	Seal, Drum
28	3401850	Harness-Gas
29	90767	Screw, 8-18 x 3/8
30	W10153412	Grille Outlet
31	W10049370	Lint Screen
32	3401707	Wire Jumper
33	3406124	Bulb, Light
34	3387223	Electrode, Sensor
35	8578825	Bracket, Drum Light

Illus. No.	Part No.	DESCRIPTION
36	W10136369	Socket Assembly
37	697772	Wheel, Blower
38	8573713	Thermal Cut-Off
39	3394986	Spring, Lint Screen Door
40	8066208	Clip-Spring
41	695240	Screw, 8-18 x 1/2
42	8577274	Thermistor
43	487909	Screw, 8-15 x 1/2
44	8544362	Housing, Blower
45	8066168	Lint Duct Assembly
46	8573824	Funnel, Burner
47	8573028	Thermostat, High-Limit 205F (96°C)
48	338906	Sensor, Radiant
	3387230	Screw, 10-16 x 1
50	W10153409	Baffle, Drum
51	8565061	Bulkhead, Front



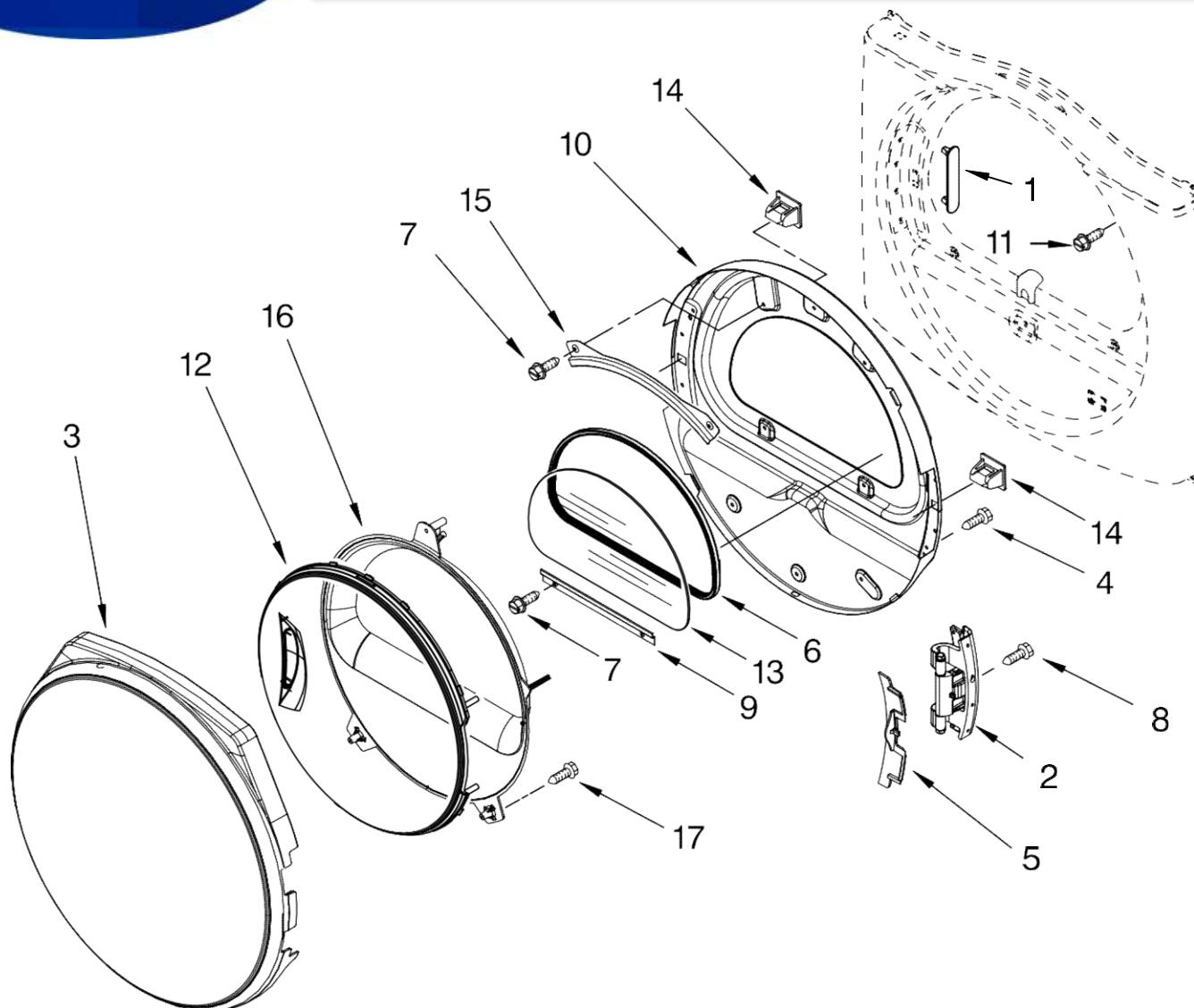
SECADORA 7MWGD8300SW2

USE WITH TYPE 1 – NATURAL
AND TYPE 4 LIQUEFIED PROPANE AND BUTANE GASES

Illus. No.	Part No.	DESCRIPTION
1	8576353	Burner Assembly 60 Hz. (Type 1) (White Rodgers)
2	688617	Tube, Burner
3	694298	Bracket, Ignitor
4	686590	Ignitor
5	3393909	Screw & Washer (8–32 x 7/8)
6	343641	Screw, 10–16 x 1/2
7	3389871	Base, Burner
8	3387057	Screw, 8–18 x 3/8
9		Orifice, Burner Type 1 15418 Type 4 (Butane) 15422 Type 4 (Propane) 234867
10	W10118347	Valve, Gas 60 Hz. (Complete) (Includes Pipe & Illus. #7).
11	694421	Screw, 8–32 x 1/2 (2)
12	694538	Bracket, Coil
13	694540	Coil, 60 Hz. (2 Terminal) (Main)
14	694539	Coil, 60 Hz. (Split) (3 Terminal) (Pilot Position)
15	694424	Leak, Limiter
16	694423	Screw, Regulator Adjustment
17	694422	Spring, Regulator
18	3390647	Screw, 8–18 x 1/2
20	239822	Plug, Pipe
25	3387561	Clamp, Pipe
26	3389889	Bracket, Support

Following Parts Not Illustrated

8576846 Conversion Kit
(Type 1)
to Type (4) LPG).



Illus. No.	Part No.	DESCRIPTION	Illus. No.	Part No.	DESCRIPTION	Illus. No.	Part No.	DESCRIPTION
1	8565119	Plug Strip	9	8519354	Retainer (Lower)	13	8565117	Window
2	8578887	Door Hinge Assembly	10	8578933	Door Assembly Inner (Includes Items 1 & 14)	14	690081	Door Catch Assembly
3	8571836	Door, Outer Ring	11	355515	Screw, 8-18 x 11/16	15	8519356	Retainer (Upper)
4	8534044	Screw, 8-18 x 1/2	12	W10044180	Assembly, (Door Outer)	16	W10108900	Door, Intermediate (Stationary)
5	8571839	Cover, Hinge				17	8534022	Screw
6	8579663	Seal, Window						
7	3393258	Screw						
8	W10159996	Screw, 10-24 x 3/64						

OPTIONAL PARTS (NOT INCLUDED)

For Model: 7MWGD8300SW2

(White)

Illus. No.	Part No.	DESCRIPTION
-------------------	-----------------	--------------------

PAINT, TOUCH-UP (1/2oz.)

72017 White

PAINT, PRESSURIZED SPRAY (12 oz.)

350930 White
350938 Primer, Gray

PAINT, BULK (1 qt.)

799344 White (Uncut)

ACCESSORY PARTS

8529894 Hold Down Kit
8563738 Dry Rack
8522199 Kit, Dryer
Vent Testing
80047 Kit,
Dryer Repair