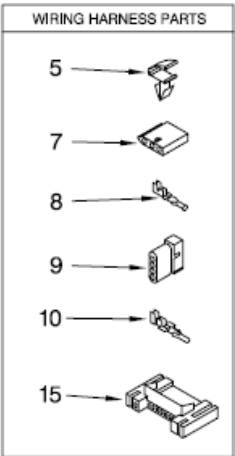
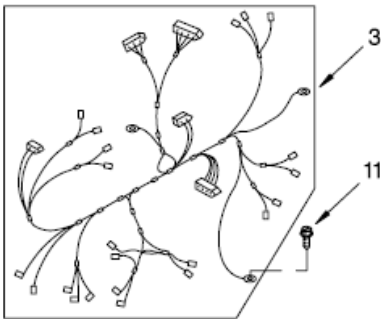
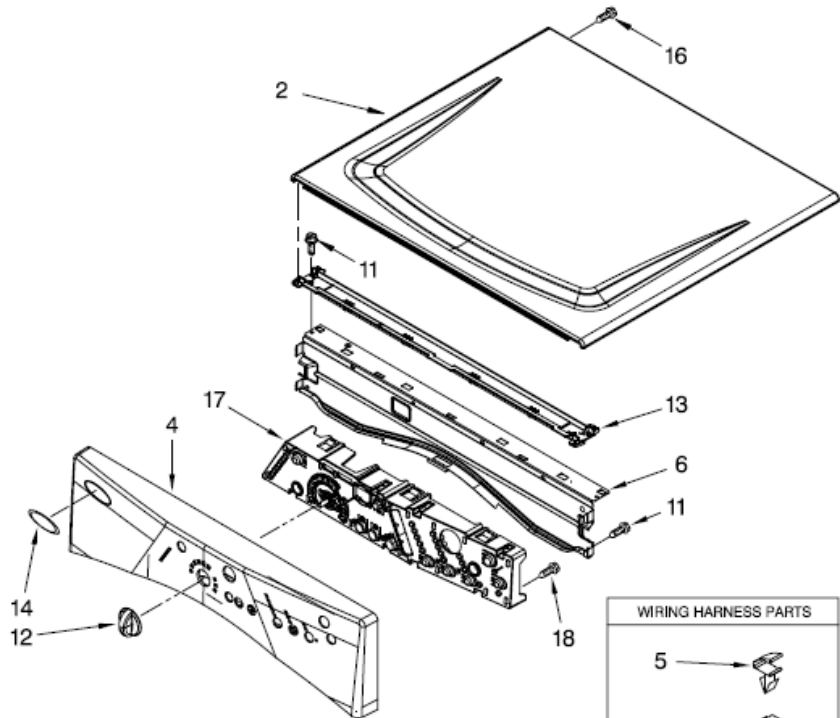


7MWGD8500SR1 TABLERO





7MWGD8500SR1 TABLERO

| | | |
|----|-----------|--------------------------|
| 2 | 8563730 | TOP |
| 3 | W10110973 | HARNESS, MAIN |
| 4 | W10099599 | PANEL, CONSOLE |
| 5 | 3394427 | CLIP, HARNESS |
| 6 | 8565237 | BRACKET, CONSOLE |
| 7 | 353424 | CONNECTOR, SENSOR |
| 8 | 94614 | TERMINAL |
| 9 | 3936144 | PLUG, TERMINAL |
| 10 | 94613 | TERMINAL |
| 11 | 3390647 | SCREW, 8-18 X 1/2 |
| 12 | 8574964 | KNOB ASSEMBLY |
| 13 | 8574968 | CHANNEL, WATER |
| 14 | W10117943 | BADGE, ASSEMBLY |
| 15 | 3395683 | CONNECTOR, (MOTOR) |
| 16 | 3400238 | SCREW, 2-28 X 1/2 |
| 17 | 8571955 | ASSEMBLY, USER INTERFACE |
| 18 | 3400238 | SCREW, 2-28 X 1/2 |



7MWGD8500SR1 GABINETE

| | | |
|----|-----------|--|
| 1 | 8317340 | COVER, TERMINAL BLOCK |
| 2 | 3390814 | SCREW, 8-18 X 3/8 |
| 3 | 8533974 | SCREW GROUND |
| 4 | 8565048 | PANEL, SIDE (R.H.) |
| 5 | 3394881 | SWITCH, BROKEN BELT |
| 6 | 343641 | SCREW, 10-16 X 1/2 |
| 7 | 8565054 | PANEL, SIDE (L.H.) |
| 8 | 3392100 | FOOT, DRYER |
| | 279810 | FOOT-OPTIONAL (EXTENDED LENGTHPACKAGE) |
| 9 | 660658 | CLAMP, MOTOR (2) |
| 10 | 3387374 | SPRING, IDLER |
| 11 | 3389420 | RETAINER, IDLER |
| 12 | 697750 | PLUG, MULTIVENT |
| 13 | 3388672 | PULLEY ASSEMBLY |
| 14 | 3978776 | BRACKET, GAS PIPE |
| 15 | 8066120 | LEVER, SNAP SWITCH |
| 16 | 3394081 | WIRE, BELT SWITCH |
| 17 | 8565059 | PANEL, REAR |
| 18 | 233520 | WASHER, THRUST |
| 19 | 8574875 | SWITCH, ASSEMBLY DOOR |
| 20 | W10121334 | WASHER |
| 21 | 8066115 | COVER-PLATE |
| 22 | 8580015 | RAMP, DOOR |
| 23 | 8540621 | PANEL, TOE |
| 24 | 8572546 | KIT, STACK ASSEMBLY |
| 25 | 8533971 | SCREW, 8-18 X 5/16 |
| 26 | 3357011 | SCREW, 10-16 X 1/2 |
| 27 | 8538263 | MOTOR ASSEMBLY 60 HZ. |
| 28 | 3398948 | WIRE, JUMPER (BROKEN BELT SWITCH) |
| 29 | 8578220 | PULLEY 60 HZ. |
| 30 | 3387610 | BELT, DRIVE |
| 31 | 8529757 | BRACKET, BURNER |
| 32 | 3387118 | BRACKET, MOTOR |

| | | |
|----|-----------|----------------------------------|
| 33 | 3401401 | CORD, POWER |
| 34 | 49026 | 4" - 90 ELBOW |
| 35 | 693995 | SCREW, 8-18 X 3/8 |
| 36 | 8563747 | EXHAUST PIPE & BRACKET |
| 37 | 8563750 | EXHAUST PIPE (SHORT) |
| 38 | 8563749 | EXHAUST PIPE (LONG) |
| 39 | 3388674 | IDLER BRACKET |
| 40 | 8519459 | CLIP, TOE PANEL |
| 41 | 8565122 | STRIKE, DOOR (1) |
| 42 | 98129 | SCREW, 6-20 X 1 1/16 |
| 43 | 3390647 | SCREW, 8-18 X 1/2 |
| 44 | 3387242 | SEAL, FRONT PANEL |
| 45 | 3393008 | SCREW, 10-16 X 1/2 |
| 46 | 8563727 | BRACKET, CONTROL |
| 47 | W10111606 | CONTROL BOARD |
| 48 | 8565043 | PLUG, STRIP FRONT PANEL |
| 50 | 8565046 | BASE, CABINET |
| 51 | 8580257 | FRONT PANEL (INCLUDES ILLUS. 44) |
| 52 | 279818 | DRYER EXHAUS KIT |

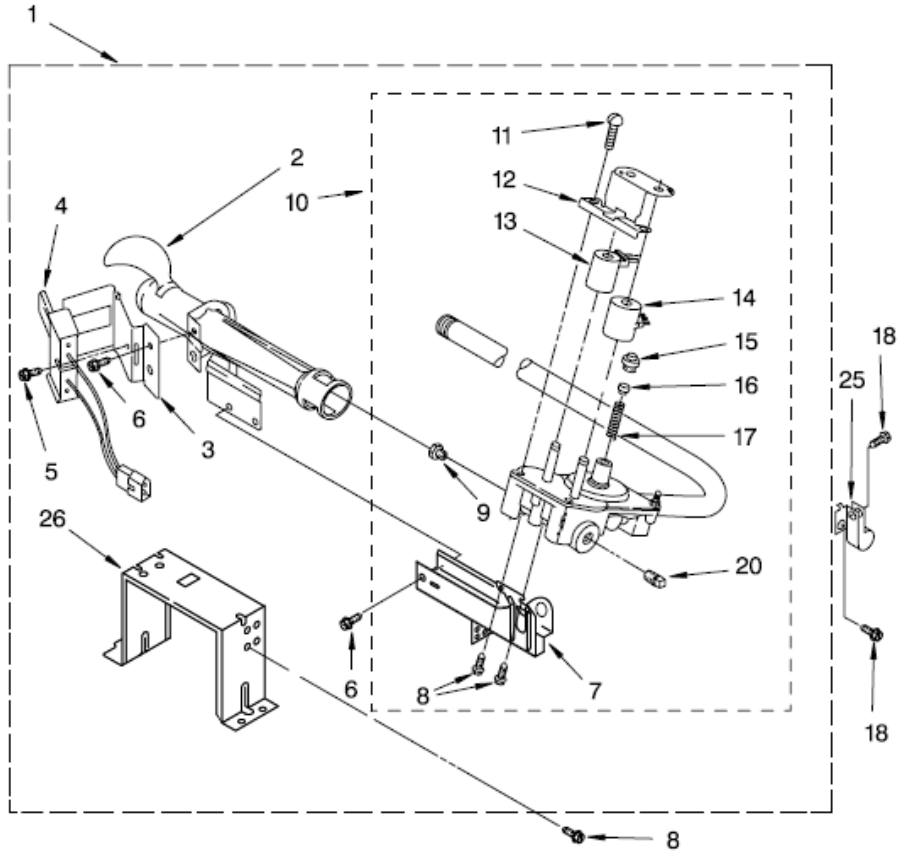


7MWGD8500SR1 TAMBOR

| | | |
|----|-----------|------------------------------------|
| 1 | 8575325 | SHAFT, R.H. THREAD |
| 2 | 3390647 | SCREW, 8-18 X 1/2 |
| 3 | W10153413 | DOOR, LINT SCREEN |
| 4 | 8066208 | CLIP-SPRING |
| 5 | 3394346 | AIR DUCT ASSEMBLY |
| 6 | 697813 | SEAL, OUTLET HOUSING |
| 7 | 697814 | SEAL, DRUM FRONT |
| 8 | 3934666 | NUT, 3/8 X 16(R.H.) |
| 9 | 3392519 | THERMAL-FUSE |
| 10 | 3402841 | LENS, DRUM LIGHT |
| 11 | 359625 | SCREW, 8-18 X 1/2 |
| 12 | 8572105 | CLIP, EXHAUST PIPE |
| 13 | 8533971 | SCREW, 8-18 X 5/16 |
| 14 | 8529007 | PLUG, REAR BULKHEAD |
| 15 | 693995 | SCREW, 8-18 X 3/8 |
| 16 | W10001120 | NUT, 3/8-16 (L.H.) |
| 17 | 8520836 | BULKHEAD, REAR |
| 18 | 3387459 | WASHER, SUPPORT |
| 19 | 8575324 | SHAFT, L.H. THREAD |
| 20 | 690997 | RING, TRI |
| 21 | 8536973 | ROLLER, SUPPORT |
| 22 | 8563728 | EXHAUST PIPE |
| 23 | W10153423 | HOUSING, OUTLET ASSEMBLY |
| 24 | 489463 | SCREW, 8-18 X 5/8 |
| 25 | W10153420 | COMPLETE DRUM ASSEMBLY |
| 26 | W10109200 | SCREW, 11-16 X 3/4 |
| 27 | 697694 | SEAL, DRUM |
| 28 | W10153412 | GRILLE, OUTLET |
| 29 | 90767 | SCREW, 8-18 X 3/8 |
| 30 | 8519221 | CHANNEL BRACKET, REAR BULKHEAD (2) |
| 31 | 8571651 | BRACKET, UPPER REAR BULKHEAD |
| 32 | 3401707 | WIRE JUMPER |
| 33 | 3406124 | BULB, LIGHT |

| | | |
|----|-----------|-------------------------------------|
| 34 | 3387223 | ELECTRODE, SENSOR |
| 35 | 8578825 | BRACKET, DRUM LIGHT |
| 36 | 3403634 | SOCKET ASSEMBLY |
| 37 | 697772 | WHEEL, BLOWER |
| 38 | 8573713 | THERMAL CUT-OFF |
| 39 | 3394986 | SPRING, LINT SCREEN DOOR |
| 40 | 8565061 | BULKHEAD FRONT |
| 41 | 695240 | SCREW, 8-18 X 1/2 |
| 42 | 8577274 | THERMISTOR |
| 43 | 487909 | SCREW, 8-15 X 1/2 |
| 44 | 8544362 | HOUSING, BLOWER |
| 45 | 8066168 | LINT DUCT ASSEMBLY |
| 46 | 8573824 | FUNNEL, BURNER |
| 47 | 8573028 | THERMOSTAT, HIGH-LIMIT 205 F (96 C) |
| 48 | 338906 | SENSOR, RADIANT |
| 49 | 697770 | SEAL, COVER PLATE |
| 50 | W10049370 | SCREEN, LINT |
| 51 | 3387230 | SCREW, 10-16 X 1 |
| 52 | W10153409 | BAFFLE, DRUM |

7MWGD8500SR1 QUEMADOR

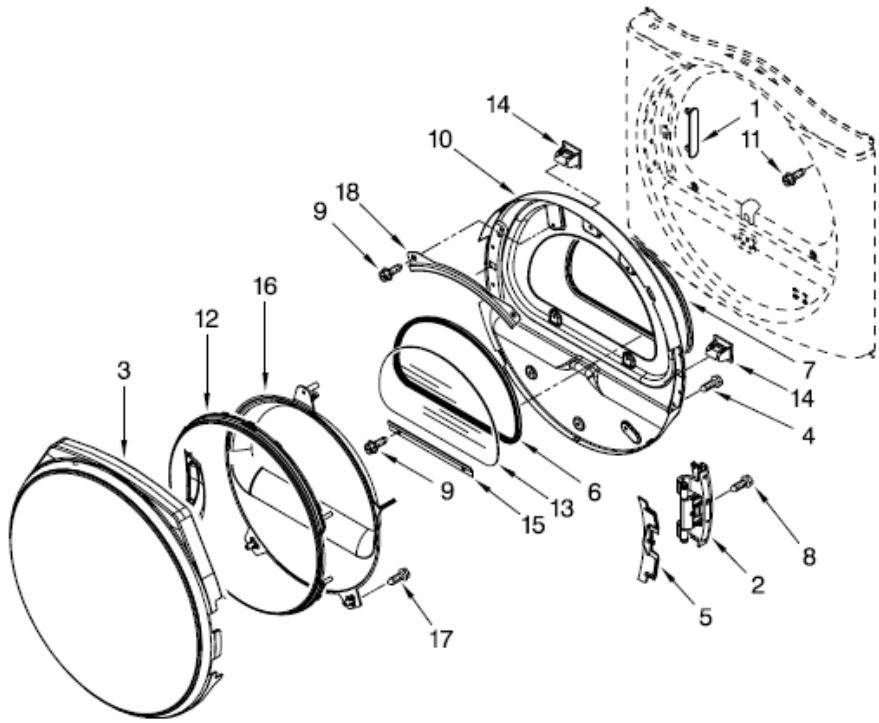




7MWGD8500SR1 QUEMADOR

| | | |
|----|-----------|--|
| 1 | 8576353 | BURNER ASSEMBLY 60 HZ.(TYPE 1) |
| 2 | 688617 | TUBE, BURNER |
| 3 | 694298 | BRACKET, IGNITOR |
| 4 | 686590 | IGNITOR |
| 5 | 3393909 | SCREW & WASHER(8-32 X 7/8) |
| 6 | 343641 | SCREW, 10-16 X 1/2 |
| 7 | 3389871 | BASE, BURNER |
| 8 | 3387057 | SCREW, 8-18 X 3/8 |
| 9 | | ORIFICE, BURNER |
| | 15418 | TYPE 1 |
| | 15422 | TYPE 4 (BUTANE) |
| | 234867 | TYPE 4 (PROPANE) |
| 10 | W10118347 | VALVE, GAS 60 HZ. (COMPLETE)(INCL. #7). |
| 11 | 694421 | SCREW, 8-32 X 1/2 (2) |
| 12 | 694538 | BRACKET, COIL |
| 13 | 694540 | COIL, 60 HZ. (2 TERMINAL) (MAIN) |
| 14 | 694539 | COIL, 60 HZ. (SPLIT)(3 TERMINAL)(PILOT POSITION) |
| 15 | 694424 | LEAK, LIMITER |
| 16 | 694423 | SCREW, REGULATOR ADJUSTMENT |
| 17 | 694422 | SPRING, REGULATOR |
| 18 | 3390647 | SCREW, 8-18 X 1/2 |
| 20 | 239822 | PLUG, PIPE |
| 25 | 3387561 | CLAMP, PIPE |
| 26 | 3389889 | BRACKET, SUPPORT |

7MWGD8500SR1 PUERTA





7MWGD8500SR1 PUERTA

| | | |
|----|-----------|---|
| 1 | 8565119 | PLUG STRIP |
| 2 | 8578887 | DOOR HINGE ASSEMBLY |
| 3 | 8579998 | DOOR, (OUTER RING) |
| 4 | 8534044 | SCREW, 8-18 X 1/2 |
| 5 | 8571839 | COVER, HINGE |
| 6 | 8579663 | SEAL, WINDOW |
| 7 | | DOOR SEAL] (NOT SERVICABLE) |
| 8 | W10017850 | SCREW, 10-24 X 3/64 |
| 9 | 3393258 | SCREW |
| 10 | 8578933 | DOOR ASSEMBLY (INNER) (INCLUDES. 1 & 14) |
| 11 | 355515 | SCREW, 8-18 X 11/16 |
| 12 | W10044190 | ASSEMBLY, DOOR (OUTER) |
| 13 | 8565117 | WINDOW |
| 14 | 690081 | DOOR CATCH ASSEMBLY |
| 15 | 8519354 | RETAINER (LOWER) |
| 16 | 8579560 | DOOR, INTERMEDIATE |
| 17 | 8534022 | SCREW |
| 18 | 8519356 | RETAINER (UPPER) |