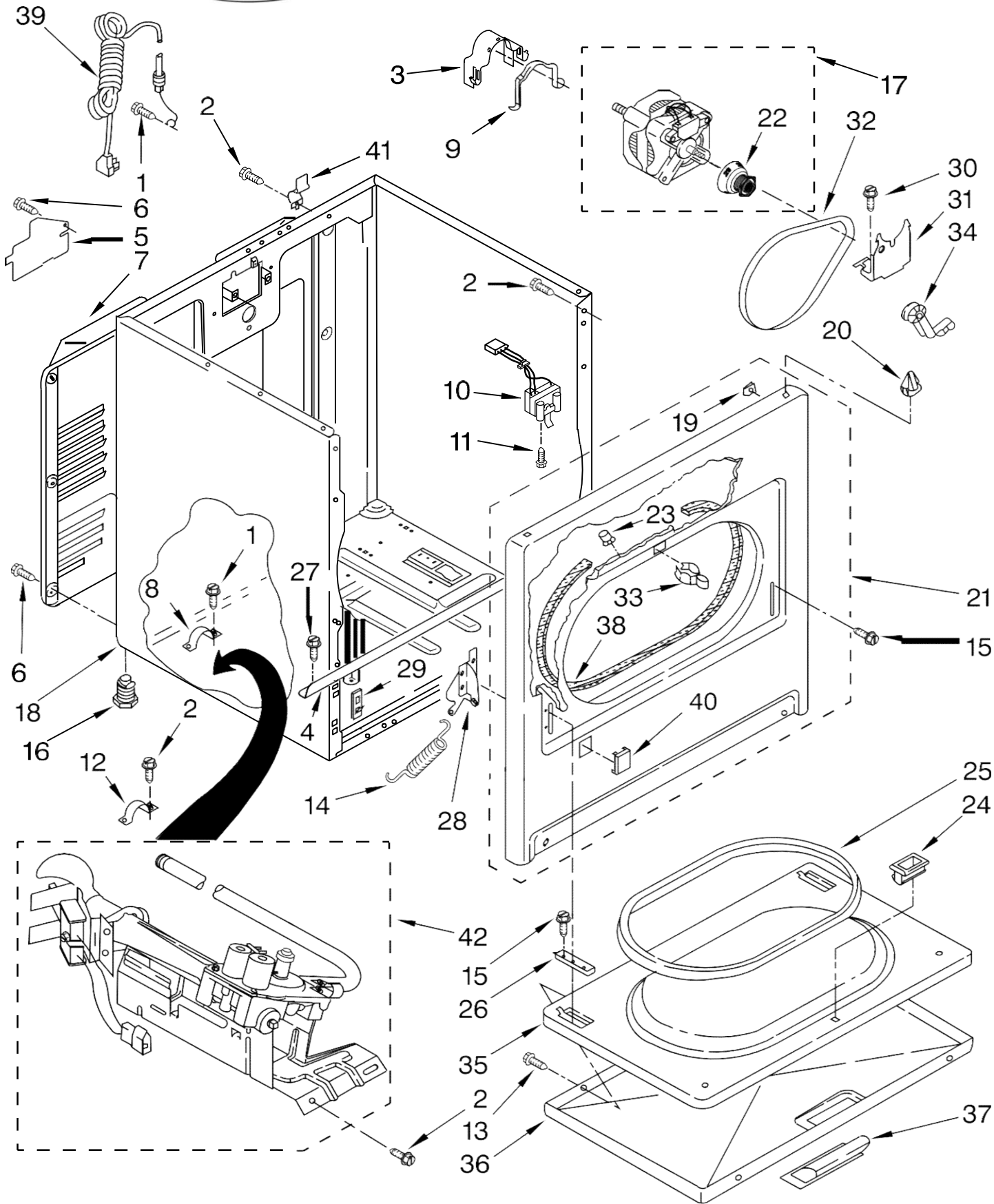




Secadora Whirlpool 7MWGD9014YQ0

Illus. No.	Part No.	DESCRIPTION	Illus. No.	Part No.	DESCRIPTION	Illus. No.	Part No.	DESCRIPTION
1		Literature Parts	3	8566061	Knob, Timer	12	8312709	Clip-Console
	8564241	Installation			Assembly	13	688983	Screw, 8-18 x 5/8
	W10383507	Instructions	4	8566035	Cap, End (L.H.)	14	W10370399	Control Panel &
		Sheet,	5	3977456	Switch,			Bracket Assembly
		Cycle Feature			Push-To-Start	15	693995	Screw, Hex Head
	8565897	Use & Care Guide	6	W10103406	Panel, Rear	16	8559800	Top
	W10185978	Wiring Diagram			Console	17	8566065	Knob,
			7	W10186074	Harness, Wiring			Push-To-Start
2	3390631	Screw, Grounding	8	8566032	Cap, End (R.H.)	18	W10185969	Timer Assembly
			9	3348629	Screw, 8-18 x .375			60 Hz.
			10	8557857	Lint Screen			
			11	8536939	Clip, Spring			

FOR ORDERING INFORMATION REFER TO PARTS PRICE LIST



FOR ORDERING INFORMATION REFER TO PARTS PRICE LIST



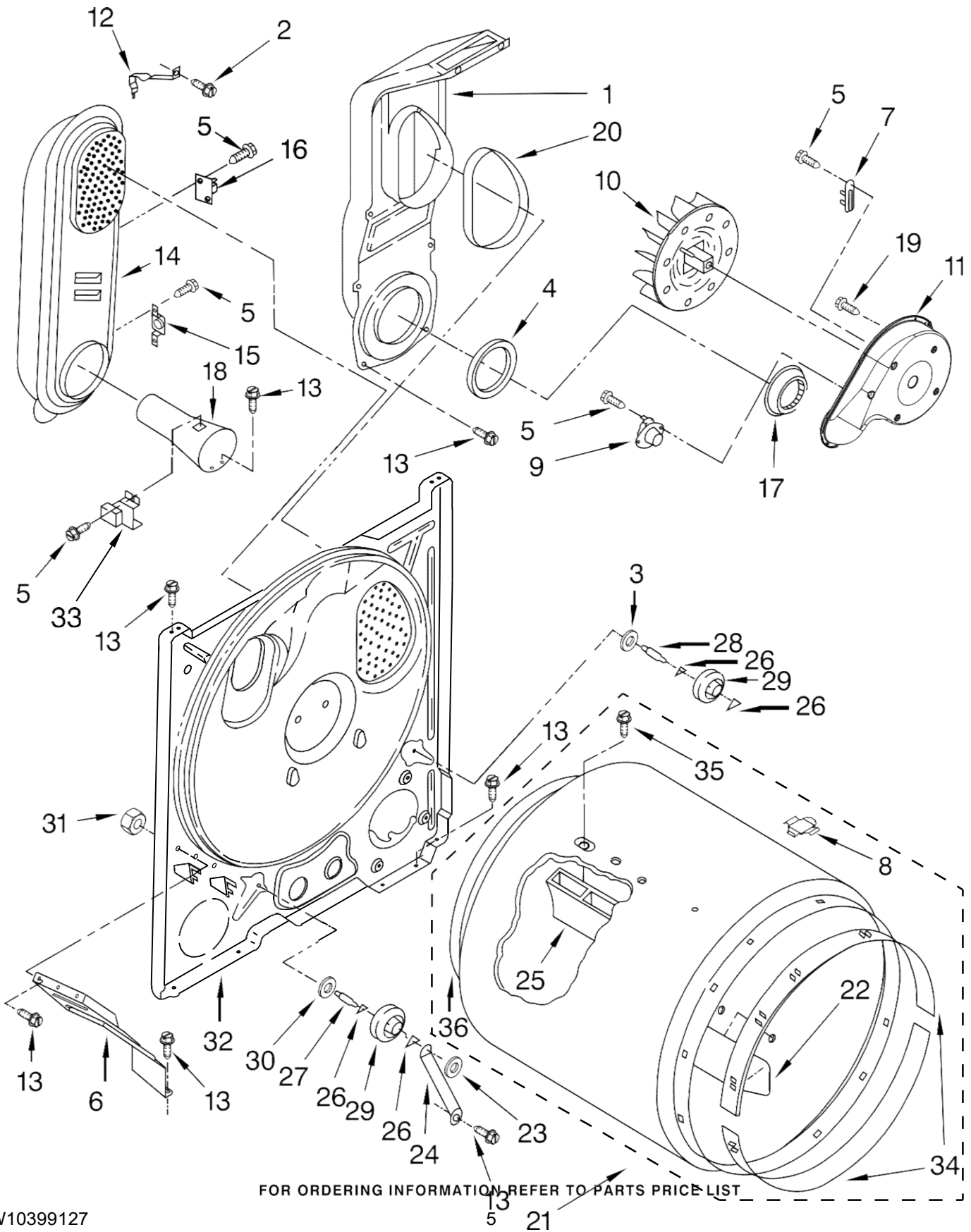
Secadora Whirlpool 7MWGD9014YQQ

Illus. No.	Part No.	DESCRIPTION
1	3390631	Screw, 10-16 x 3/8 (External Ground)
2	343641	Screw, 10-16 x 1/2
3	3404162	Clamp, Motor (W/Shield)
4	W10236073	Bracket, Cabinet
5	3396795	Cover, Block
6	693995	Screw, Hex Washer Head
7	3396805	Panel, Rear
8	341029	Clamp, Pipe
9	W10121316	Clamp, Motor
10	3406109	Door Switch Assembly
11	697773	Screw, 6-20 x 7/8
12	3980175	Clamp-Elbow
13	342055	Screw, 8-18 x 3/8
14	W10041960	Spring, Door (2)
15	3357011	Screw, 10-16 x 1/2

Illus. No.	Part No.	DESCRIPTION
16	3392100	Foot, Dryer
	279810	Foot - Optional (Extended Length Package Of 2 (Not Included)
17	8066206	Motor Assembly 60 Hz.
18	8530603	Cabinet (Includes Illus. 4)
19	98234	Clip, Ground (2)
20	690363	Lock, Front Top (2)
21	3395197	Panel Front
22	8066184	Pulley, 60 Hz.
23	685203	Clip, Felt Pad (2)
24	3389441	Catch, Door Assembly
25	3390731	Seal, Door
26	337189	Clip, Hinge (2)
27	3390647	Screw, 8-18 x 1/2
28	8066056	Hinge, R.H.
	8066057	Hinge, L.H.

Illus. No.	Part No.	DESCRIPTION
29	3394083	Clip, Front Panel
30	3400500	Bolt, 5/16-18 x 3/4
31	348780	Base, Motor
32	W10131364	Belt Drive
33	696144	Strike, Panel
34	691366	Idler & Pulley Assembly
35	695737	Door, Rear
36	3393549	Door, Front
37	W10095180	Handle, Door
38	3406129	Seal & Bearing Assembly
39	344020	Cord, Power
40	8564457	Plug, Front Panel
41	8066217	Hinge, Top (2)
42	8318272	Burner Assembly 60 Hz.
		(See Pages 7 & 8 For Further Burner Breakdown)

FOR ORDERING INFORMATION REFER TO PARTS PRICE LIST



FOR ORDERING INFORMATION, REFER TO PARTS PRICE LIST



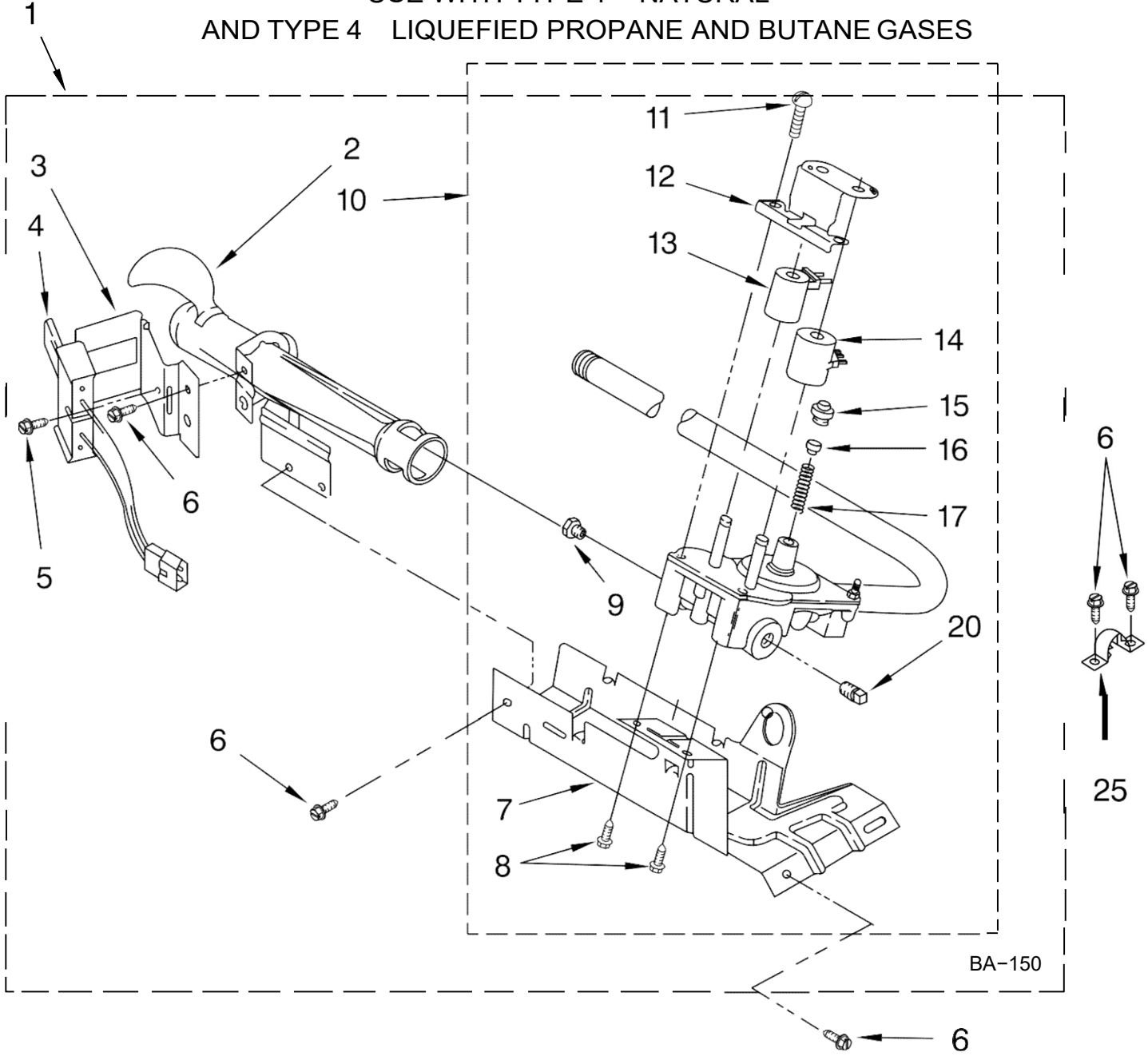
Secadora Whirlpool 7MWGD9014YQ0

Illus. No.	Part No.	DESCRIPTION
1	348368	Lint Chute Assembly
2	489463	Screw, 8-18 x 5/8
3	3388703	Washer-Support
4	347139	Seal, Lint Chute
5	90767	Screw, 8-18 x 3/8
6	3406022	Bracket, Bulkhead
7	3392519	Fuse, Thermal
8	8066086	Drum Hole Plug
9	3387134	Thermostat, Internal-Bias
10	694089	Wheel, Blower (Includes Illus. 21)

Illus. No.	Part No.	DESCRIPTION
11	8577230	Housing, Blower
12	8066155	Clip
13	343641	Screw, 10-16 x 1/2
14	8530285	Box, Heater
15	3403140	Thermostat, 205°F (96°C)
16	3977394	Kit, Thermal Cut-Off (Includes Illus. 15)
17	696302	Shield, Exhaust
18	8066049	Funnel, Burner
19	3390647	Screw, 8-18 x 1/2
20	339956	Seal
21	695587	Drum Assembly
22	3403636	Baffle, Drum (1)

Illus. No.	Part No.	DESCRIPTION
23	90296	Clip
24	3976434	Bracket, Support
25	692490	Baffle, Drum (2)
26	690997	Ring, Tri
27	W10359270	Shaft, Drum Roller (L.H.) Threads
28	W10359269	Shaft, Drum Roller (R.H.) Threads
29	3397590	Roller, Support
30	348197	Washer, Support
31	W10298789	Nut, 3/8-16
32	3403491	Bulkhead
33	338906	Sensor, Radiant
34	692526	Ring, Bearing
35	W10219342	Screw, 8-16 x 1/2
36	W10352407	Seal, Rear Drum

USE WITH TYPE 1 - NATURAL
 AND TYPE 4 LIQUEFIED PROPANE AND BUTANE GASES



BA-150

FOR ORDERING INFORMATION REFER TO PARTS PRICE LIST

8318272 BURNER ASSEMBLY

For Model: 7MWGD9014YQ0

(Designer White)

USE WITH TYPE 1 – NATURAL
AND TYPE 4 LIQUEFIED PROPANE AND BUTANE GASES

Illus. No.	Part No.	DESCRIPTION
1	8318272	Burner Assembly 60 Hz. (Type 1) (White Rodgers)
2	688617	Tube, Burner
3	694298	Bracket, Ignitor
4	686590	Ignitor
5	3393909	Screw & Washer (8-32 x 5/8)
6	343641	Screw, 10-16 x 1/2
7	693986	Base, Burner
8	3387057	Screw, 8-18 x 3/8
9	234826	Orifice, Burner Type 1
	229742	Type 4 (Butane)
	234868	Type 4 (Propane)
10	8318277	Valve, 60 Hz. (Includes Pipe & Illus. #7)
11	694421	Screw, 8-32 x 1/2 (2)
12	694538	Bracket, Coil
13	694540	Coil, 60 Hz. (2 Terminal) (Main)
14	694539	Coil, 60 Hz. (Split) (3 Terminal) (Pilot Position)
15	694424	Leak Limiter
16	694423	Screw, Regulator Adjustment
17	694422	Spring, Regulator
20	239822	Plug, Pipe
25	341029	Clamp, Pipe

Following Parts Not Illustrated

694572 Conversion Kit
(Type 1)
to Type (4) L.P.G.

BA-150

FOR ORDERING INFORMATION REFER TO PARTS PRICE LIST

OPTIONAL PARTS (NOT INCLUDED)

For Model: 7MWGD9014YQ0
(Designer White)

Illus.	Part	
No.	No.	DESCRIPTION

ACCESSORY PARTS

	279948	Kit, Dryer Repair
	8522199	Kit, Dryer Vent Testing
	346764	Kit, Hold-Down (Gas Dryer Mobile Home Installation)
	W10071550A	Dry Rack

PAINT, TOUCH-UP (1/2oz.)

72017 White

PAINT, PRESSURIZED SPRAY (12 oz.)

350930 White
350938 Primer, Gray

PAINT, BULK (1 qt.)

799344 White (Uncut)