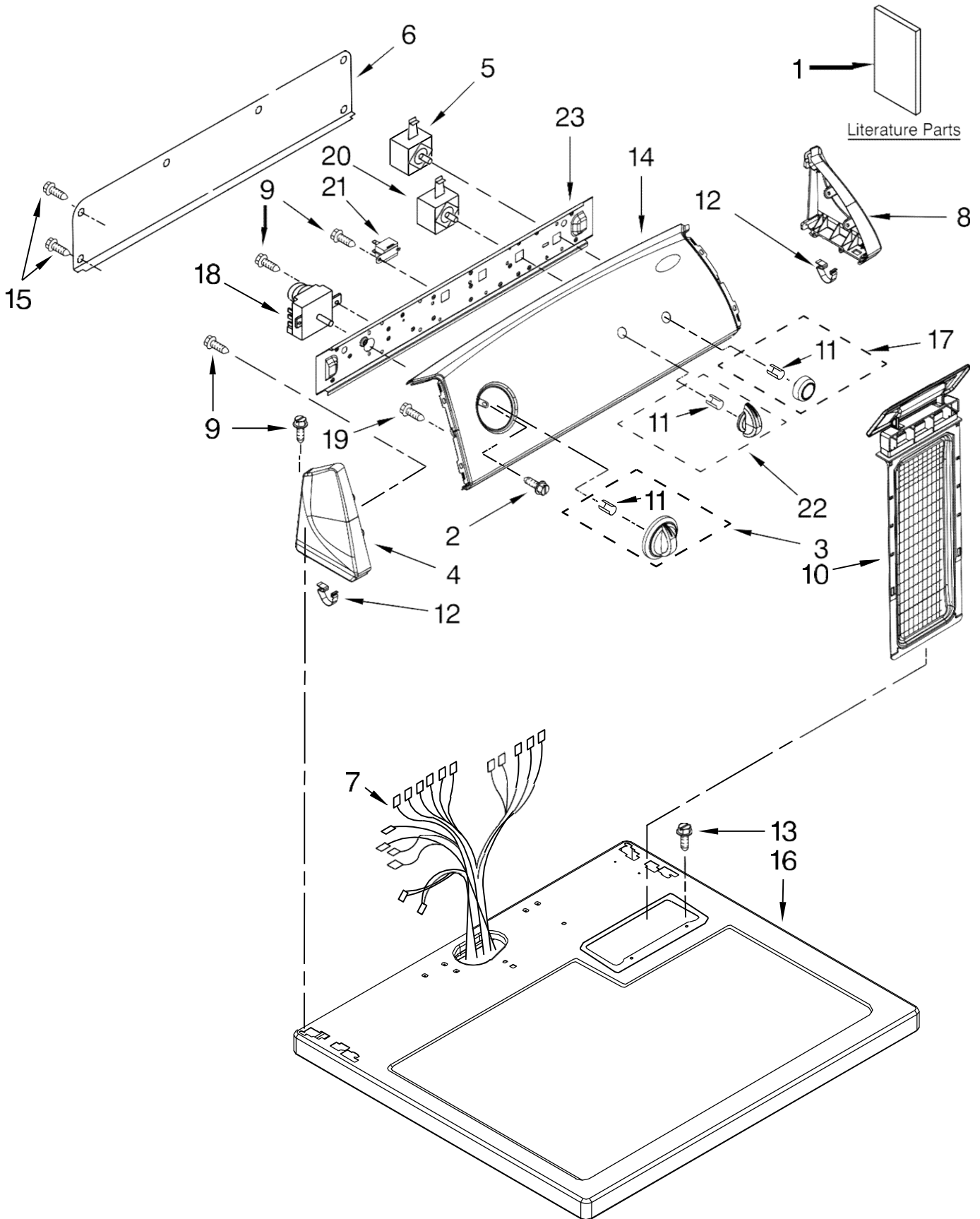


Secadora Whirlpool 7MWGD9015YW1



FOR ORDERING INFORMATION REFER TO PARTS PRICE LIST

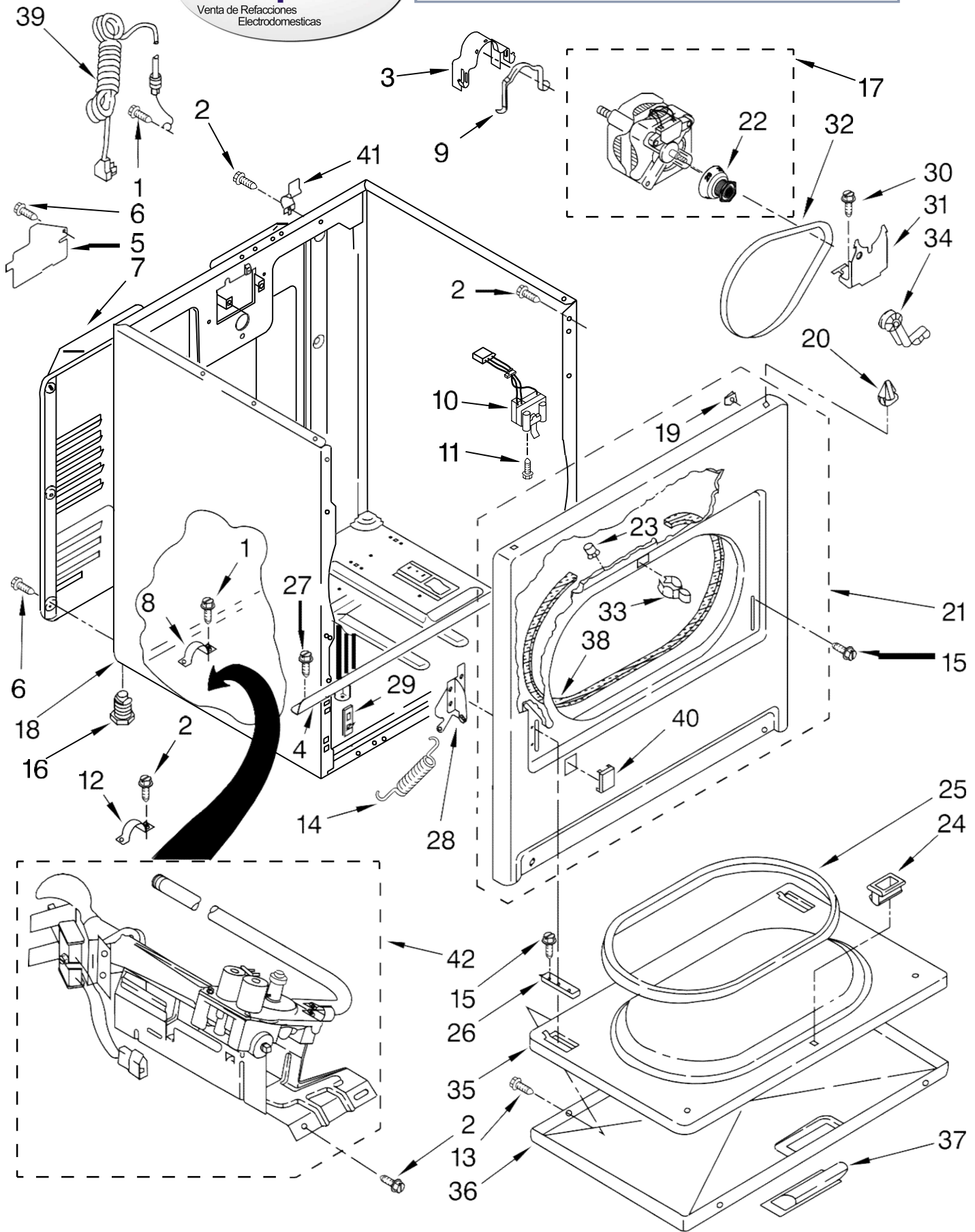


Secadora Whirlpool 7MWGD9015YW1

Illus. No.	Part No.	DESCRIPTION
1		Literature Parts
	8564241	Installation Instructions
	W10383508	Sheet, Cycle Feature
	8565897	Use & Care Guide
	W10185985	Wiring Diagram
2	3390631	Screw, Grounding
3	8566061	Knob, Timer Assembly
4	8566035	Cap, End (L.H.)
5	3398095	Switch, Push-To-Start
6	W10103406	Panel, Rear Console
7	W10186122	Harness, Wiring
8	8566032	Cap, End (R.H.)
9	3348629	Screw, 8-18 x .375
10	8557857	Lint Screen
11	8536939	Clip, Spring
12	8312709	Clip-Console
13	688983	Screw, 8-18 x 5/8
14	W10370400	Control Panel & Bracket Assembly
15	693995	Screw, Hex Head
16	8559800	Top
17	8566073	Knob, Push-To-Start
18	W10185981	Timer Assembly 60 Hz.
19	3400808	Screw, 8-18 x .313
20	3399639	Switch, Rotary
21	694419	Mini Buzzer
22	8565944	Control Knob
23	8566052	Bracket, Control

FOR ORDERING INFORMATION REFER TO PARTS PRICE LIST

Secadora Whirlpool 7MWGD9015YW1

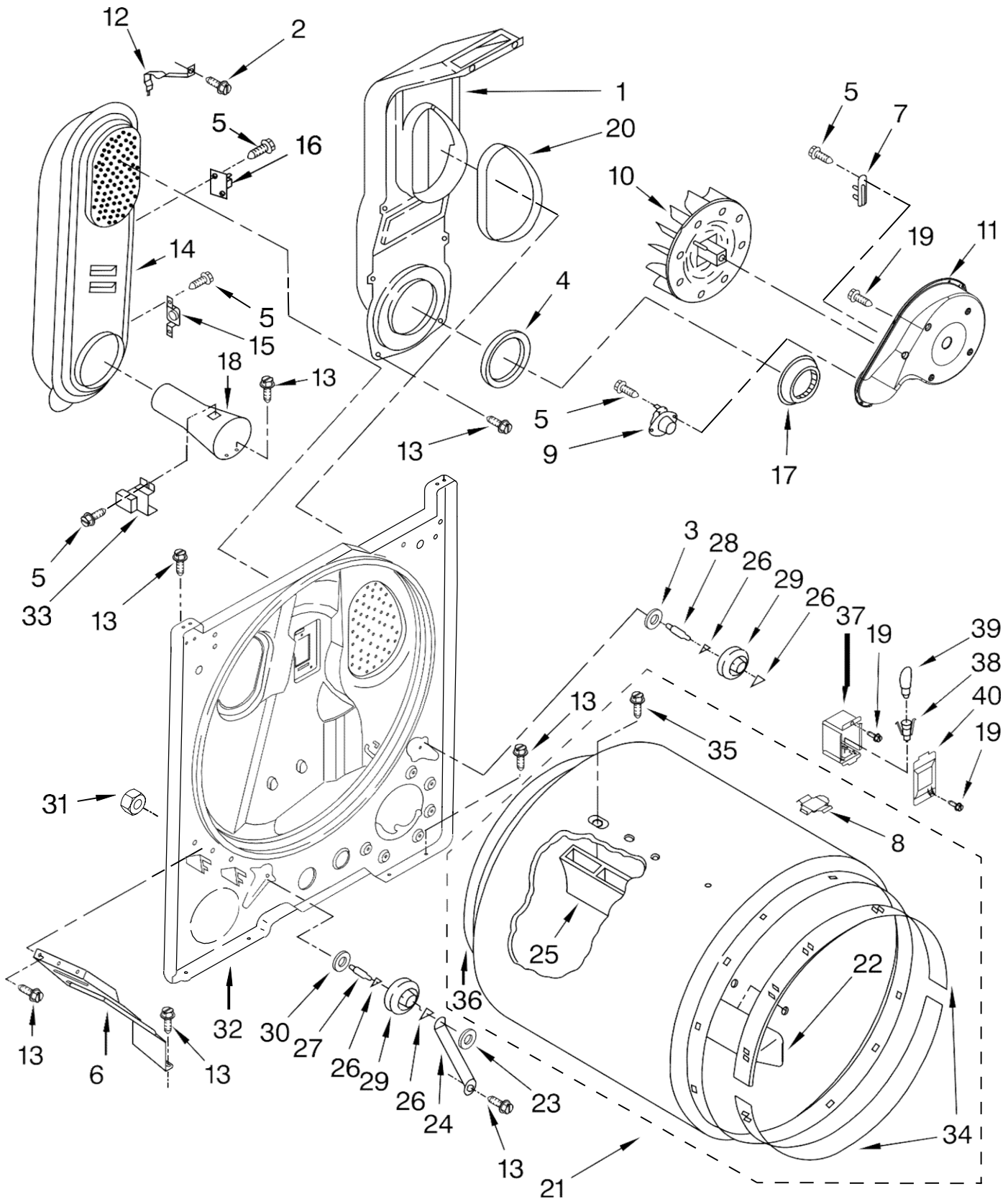


FOR ORDERING INFORMATION REFER TO PARTS PRICE LIST



Secadora Whirlpool 7MWGD9015YW1

Illus. No.	Part No.	DESCRIPTION	Illus. No.	Part No.	DESCRIPTION	Illus. No.	Part No.	DESCRIPTION
1	3390631	Screw, 10-16 x 3/8 (External Ground)	16	3392100	Foot, Dryer	30	3400500	Bolt, 5/16-18 x 3/4
2	343641	Screw, 10-16 x 1/2		279810	Foot - Optional (Extended Length Package Of 2 (Not Included))	31	348780	Base, Motor
3	3404162	Clamp, Motor (W/Shield)				32	W10131364	Belt Drive
4	W10236073	Bracket, Cabinet	17	8066206	Motor Assembly 60 Hz.	33	696144	Strike, Panel
5	3396795	Cover, Block				34	691366	Idler & Pulley Assembly
6	693995	Screw, Hex Washer Head	18	8530603	Cabinet (Includes Illus. 4)	35	695737	Door, Rear
7	3396805	Panel, Rear				36	3393549	Door, Front
8	341029	Clamp, Pipe	19	98234	Clip, Ground	37	W10095180	Handle, Door
9	W10121316	Clamp, Motor	20	690363	Lock, Front Top	38	3406129	Seal & Bearing Assembly
10	3406107	Door Switch Assembly	21	3395197	Panel Front	39	W10440460	Cord, Power
11	697773	Screw, 6-20 x 7/8	22	8066184	Pulley, 60 Hz.	40	8564457	Plug, Front Panel
12	3980175	Clamp-Elbow	23	685203	Clip, Felt Pad	41	8066217	Hinge, Top
13	342055	Screw, 8-18 x 3/8	24	3389441	Catch, Door Assembly	42	W10336852	Burner Assembly 60 Hz. (See Pages 7 & 8 For Further Burner Breakdown)
14	W10041960	Spring, Door (2)	25	3390731	Seal, Door			
15	3357011	Screw, 10-16 x 1/2	26	337189	Clip, Hinge			
			27	3390647	Screw, 8-18 x 1/2			
			28	8066056	Hinge, R.H.			
				8066057	Hinge, L.H.			
			29	3394083	Clip, Front Panel			



FOR ORDERING INFORMATION REFER TO PARTS PRICE LIST



Secadora Whirlpool 7MWGD9015YW1

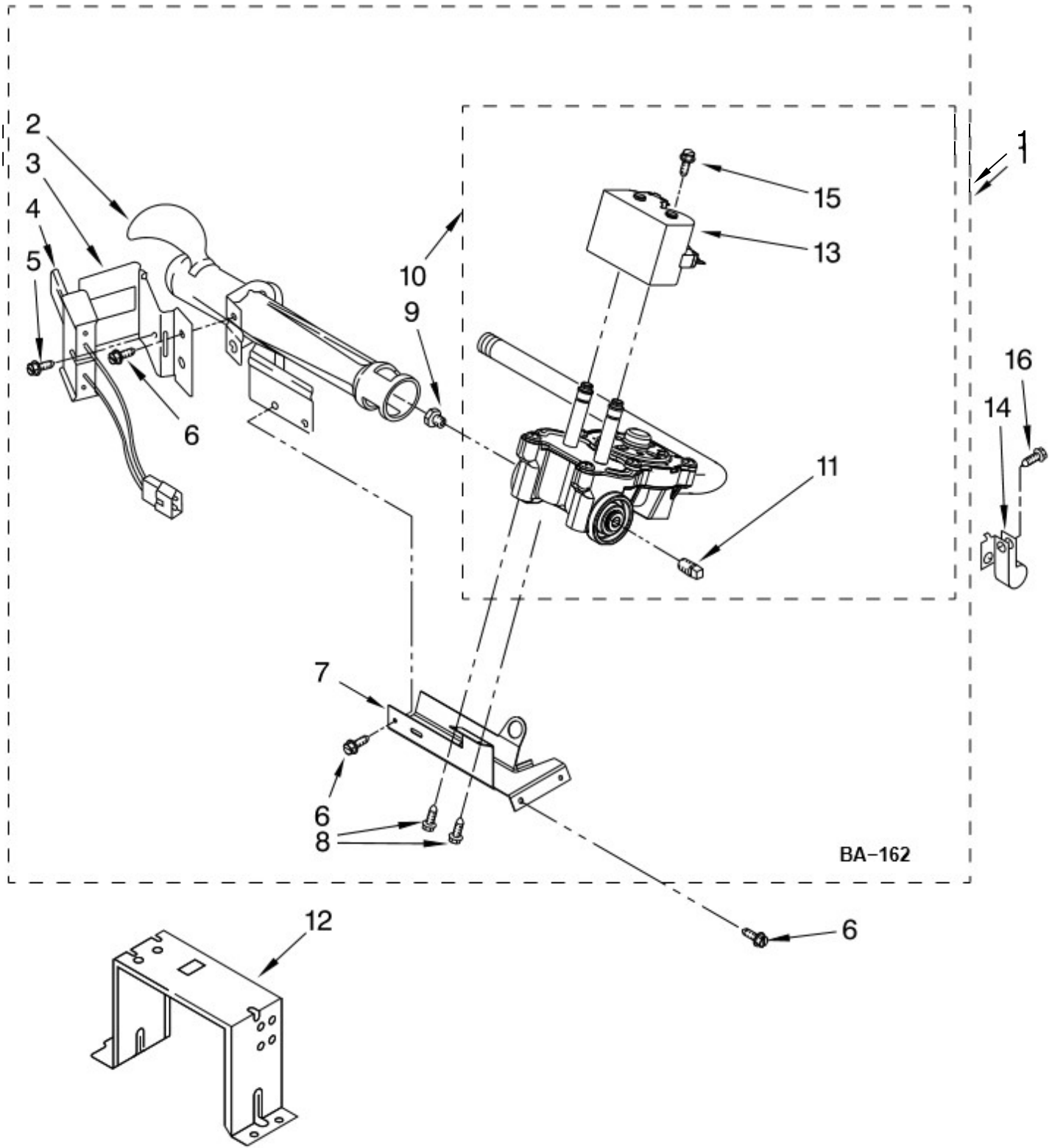
Illus. No.	Part No.	DESCRIPTION
1	348368	Lint Chute Assembly
2	489463	Screw, 8-18 x 5/8
3	3388703	Washer-Support
4	347139	Seal, Lint Chute
5	90767	Screw, 8-18 x 3/8
6	3406022	Bracket, Bulkhead
7	3392519	Fuse, Thermal
8	8066086	Drum Hole Plug
9	3387134	Thermostat, Internal-Bias
10	694089	Wheel, Blower
11	8577230	Housing, Blower
12	8066155	Clip

Illus. No.	Part No.	DESCRIPTION
13	343641	Screw, 10-16 x 1/2
14	8530285	Box, Heater
15	W10423382	Thermostat, 180°F (82 C)
16	280010	Kit, Thermal Cut-Off (Includes Illus. 15)
17	696302	Shield, Exhaust
18	8066049	Funnel, Burner
19	3390647	Screw, 8-18 x 1/2
20	339956	Seal
21	695587	Drum Assembly
22	3403636	Baffle, Drum (1)
23	90296	Clip
24	3976434	Bracket, Support
25	692490	Baffle, Drum (2)

Illus. No.	Part No.	DESCRIPTION
26	690997	Ring, Tri
27	W10359270	Shaft, Drum Roller (L.H.) Threads
28	W10359269	Shaft, Drum Roller (R.H.) Threads
29	3397590	Roller, Support
30	348197	Washer, Support
31	W10298789	Nut, 3/8-16
32	3403493	Bulkhead
33	338906	Sensor, Radiant
34	692526	Ring, Bearing
35	W10219342	Screw, 8-16 x 1/2
36	W10352407	Seal, Rear Drum
37	3977373	Bracket, Light
38	W10214261	Socket Assembly Light
39	3406124	Bulb, Light
40	3402841	Lens, Drum Light

FOR ORDERING INFORMATION REFER TO PARTS PRICE LIST

USE WITH TYPE 1 – NATURAL, TYPE 2 – MIXED,
 AND TYPE 4 – LIQUEFIED PROPANE AND BUTANE GASES



USE WITH TYPE 1 – NATURAL, TYPE 2 – MIXED,
 AND TYPE 4 – LIQUEFIED PROPANE AND BUTANE GASES

Illus. No.	Part No.	DESCRIPTION
1	W10336852	Burner Assembly 60 Hz. (Type 1 & 2)
2	688617	Tube, Burner
3	694298	Bracket, Ignitor
4	686590	Ignitor
5	3393909	Screw & Washer (8-32 x 5/8)
6	343641	Screw, 10-16 x 1/2
7	693986	Base, Burner
8	3387057	Screw, 8-18 x 3/8 (3)
9	234826	Orifice, Burner Type 1
10	W10304604	Valve, Gas 60 Hz. (Complete) (Includes Pipe & Illus. No. 7)
11	W10295523	Plug, Pipe
12	3389889	Bracket, Support
13	W10328463	Coil, 60 Hz.
14	3978776	Clamp, Pipe
15	326049536	Screw, Coil
16	3390647	Screw, 8-18 x 1/2

Following Parts Not Illustrated

49572A Conversion Kit
 (Type 1 and 2)
 to Type (4) L.P.G.



Secadora Whirlpool 7MWGD9015YW1

Illus. No.	Part No.	DESCRIPTION
-------------------	-----------------	--------------------

ACCESSORY PARTS

- 279948 Kit, Dryer Repair
- 8522199 Kit, Dryer Vent Testing
- 346764 Kit, Hold-Down (Gas Dryer Mobile Home Installation)
- W10071550A Dry Rack

PAINT, TOUCH-UP (1/2oz.)

- 72017 White

PAINT, PRESSURIZED SPRAY (12 oz.)

- 350930 White
- 350938 Primer, Gray

PAINT, BULK (1 qt.)

- 799344 White (Uncut)