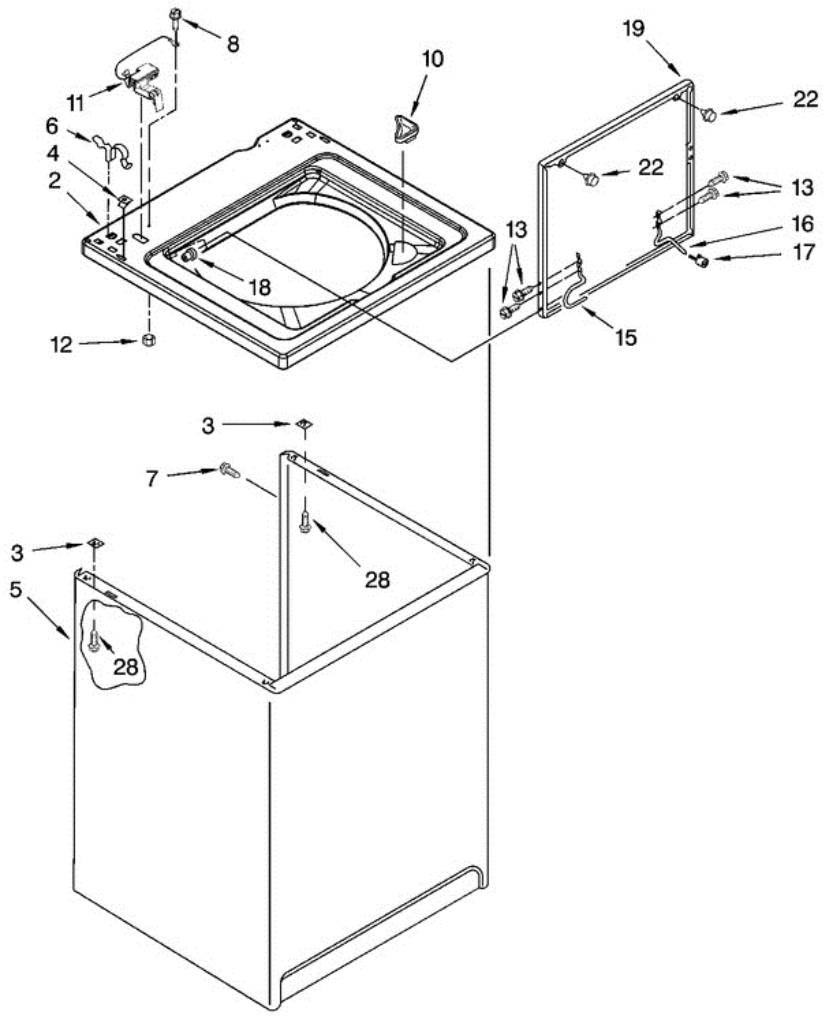


**7MWT95500SQ0 GABINETE**





**7MWT95500SQ0 GABINETE**

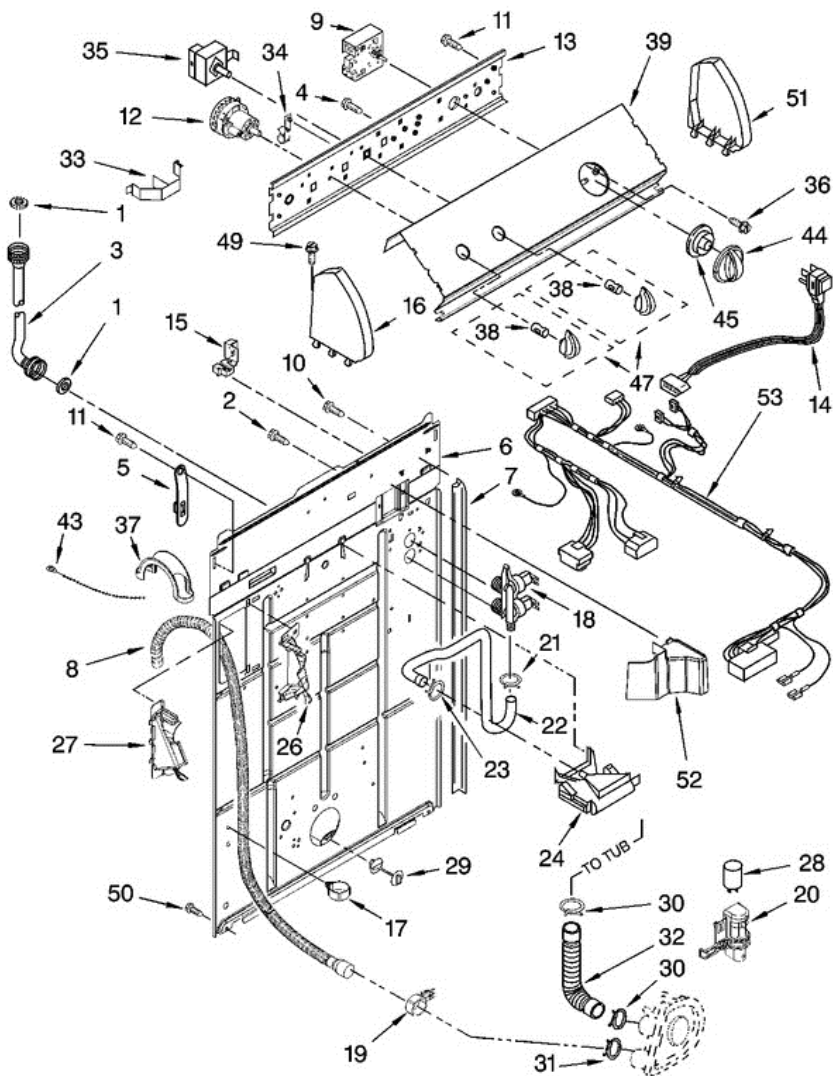
2	8318064	TOP (WHITE)
3	62750	SPACER, CABINET TO TOP (4)
4	357213	NUT, PUSH-IN (2)
5	63424	CABINET (WHITE)
6	62780	CLIP, TOP & CABINET & REAR PANEL (2)
7	3357011	SCREW, 10-16 X 1/2
8	3351614	SCREW, GROUND
10	3362952	DISPENSER, BLEACH
11	8318084	SWITCH, LID
12	8533959	NUT, HEX
13	3351355	SCREW, LID HINGE MOUNTING (4)
15	8318088	HINGE, LID (L.H.)
16	54583	HINGE, LID (R.H.)
17	19119	BUMPER, LID HINGE
18	21258	BEARING, LID HINGE (2)
19	8557513	LID (WHITE)
22	9724509	BUMPER, LID (2)
28	3390631	SCREW, 10-16 X 3/8

Distribuidor Autorizado

SurteRápido.com

Venta de Refacciones  
Electrodomesticas

## 7MWT9550SQ0 TABLERO



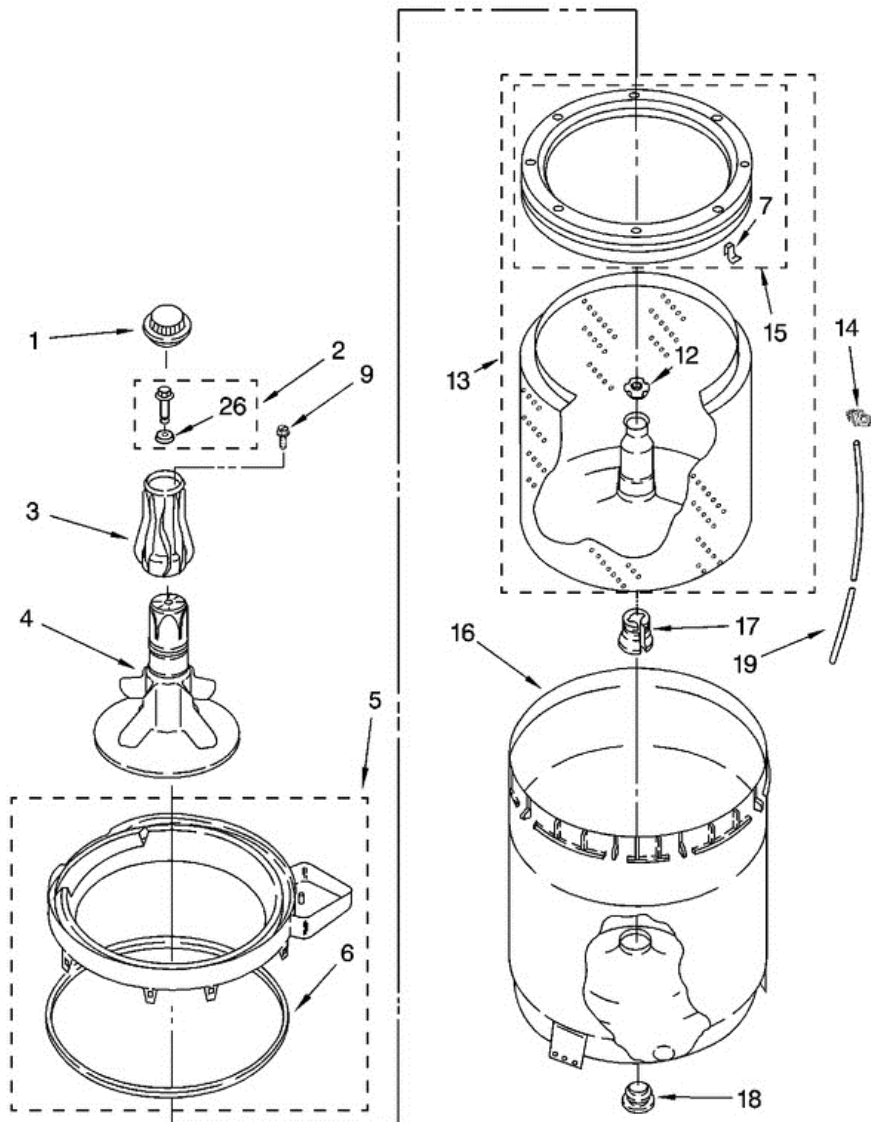


## 7MWT95500SQ0 TABLERO

1	3976300	WASHER, WATER INLET HOSE (4) (1-1/16 X 5/8)
2	9740848	SCREW, 8-18 X 1/2
3	8571377	HOSE, WATER INLET (2) (BLUE COUPLER)
3	8571378	HOSE, WATER INLET (2) (RED COUPLER)
4	3400073	SCREW, GROUND
5	8568314	STRAP, CONSOLE (2)
6	8318015	PANEL, REAR
7	62747	PAD, REAR PANEL
8	8559373	DRAIN HOSE ASSEMBLY (INCLUDES ITEMS 17 & 19)
9	3953146	TIMER, CONTROL (60 HZ.)
10	3351614	SCREW, GROUND
11	90767	SCREW, 8-18 X 3/8
12	3366848	SWITCH, WATER LEVEL
13	3948608	BRACKET, CONTROL
14	8559419	CORD, POWER (INCLUDES ITEM 15)
15	8559337	STRAIN RELIEF, POWER CORD
16	8271369	CAP, END (L.H.) (WHITE)
17	8541667	CLAMP, HOSE
18	3952164	VALVE, WATER MIXING
19	8541668	CLAMP, HOSE
20	8318046	CLIP, CAPACITOR
21	301958	CLAMP, HOSE
22	8541607	HOSE, VACUUM BREAK
23	370450	CLAMP, HOSE
24	387606	BREAK, VACUUM
26	8541669	BUCKET, DRAIN HOSE (LEFT HALF)
27	8541658	BUCKET, DRAIN HOSE (RIGHT HALF)
28	8572717	CAPACITOR, MOTOR START
29	8519200	SUPPORT, REAR PANEL
30	3363366	CLAMP, HOSE
31	8317496	CLAMP, HOSE
32	3951449	HOSE, PUMP TO TUB
33	8055003	CLIP, HARNESS & PRESSURE HOSE

34	8317975	RETAINER, HARNESS
35	661612	SWITCH, WATER TEMPERATURE
36	3400818	SCREW, TIMER MOUNTING
37	8577378	U-BEND, DRAIN HOSE
38	8536939	CLIP, KNOB
39	8543009	PANEL, CONSOLE (WHITE)
43	3347868	CABLE TIE
44	8566022	KNOB, TIMER (WHITE)
45	8566018	DIAL, TIMER (WHITE)
47	8565944	KNOB, CONTROL (WHITE)
49	388326	SCREW, 8-18 X 1.25 (PANEL TO TOP)
50	62863	SCREW, 10-16 X 3/8
51	8271363	CAP, END (R.H.) (WHITE)
52	8314879	SHIELD, INLET VALVE
53	3956733	WIRING HARNESS (FOR DETAIL SEE PAGES 9 & 10)

**7MWT95500SQ0 TINAS**

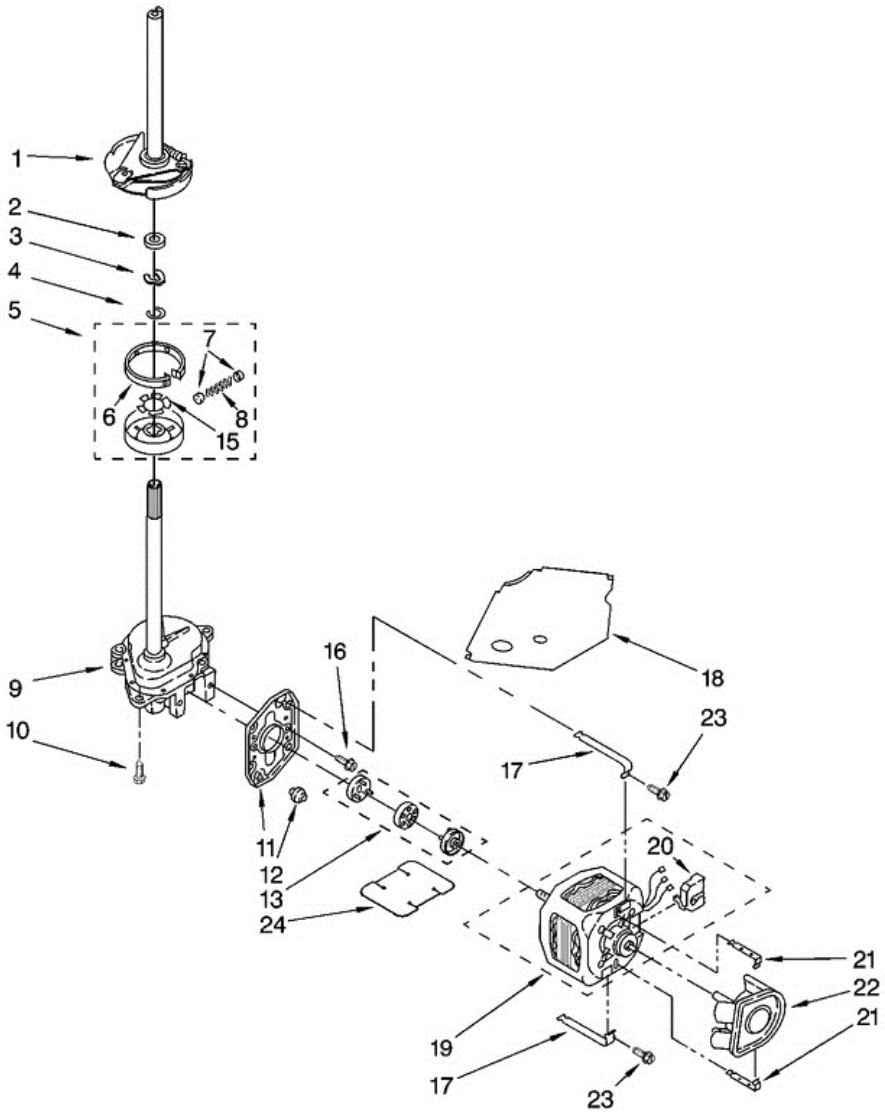




**7MWT95500SQ0 TINAS**

1	3355758	CAP, AGITATOR
2	358237	SCREW & WASHER (5-16-24 X 1)
3	64210	EXTENSION, AGITATOR
4	64214	AGITATOR
5	3360611	TUB RING & GASKET
6	3359586	GASKET, TUB RING
7	8519815	CLIP (8)
9	63027	SCREW (2)
12	21366	NUT, SPANNER
13	3956206	BASKET & BALANCE RING
14	2219077	CLIP, PRESSURE SWITCH HOSE
15	3956205	BALANCE RING
16	63125	TUB
17	389140	BLOCK, BASKET DRIVE
18	383727	GASKET, CENTERPOST
19	3347780	HOSE, PRESSURE SWITCH
26	3949550	WASHER

**7MWT95500SQ0 MOTOR**



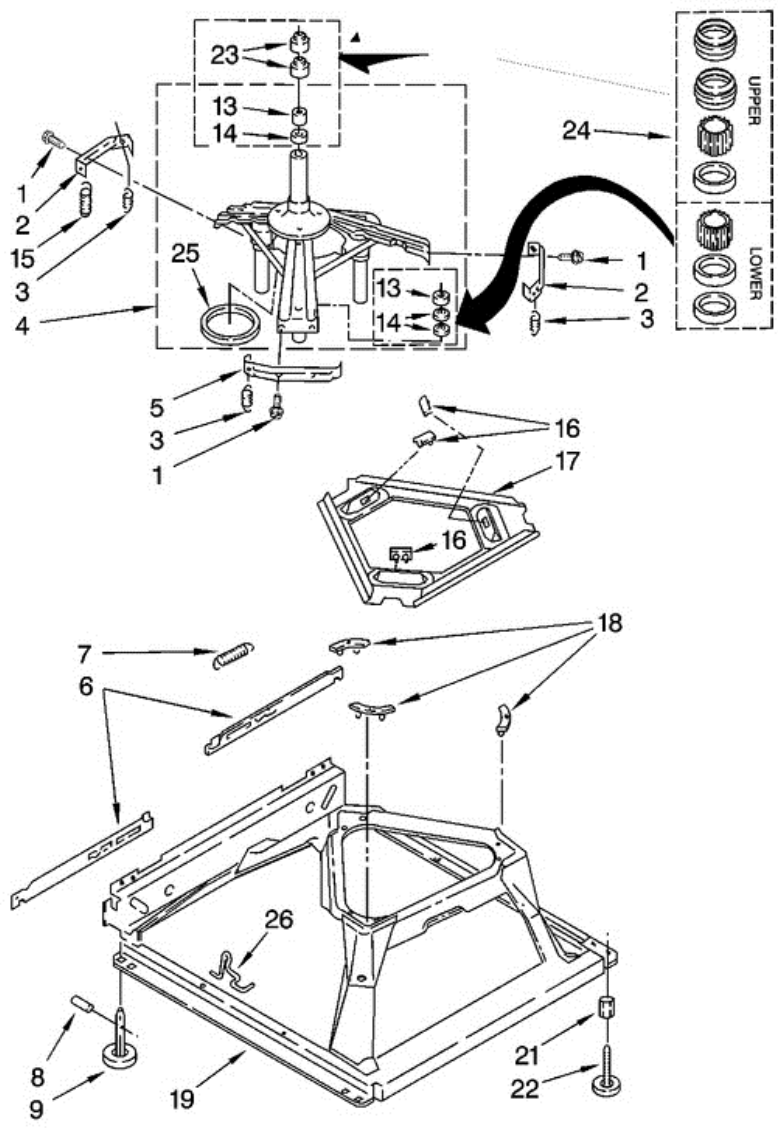




## 7MWT95500SQ0 MOTOR

1	388951	BRAKE & DRIVE TUBE (COMPLETE)
2	63292	WASHER, SPIN TUBE THRUST
3	62697	RING, SPIN TUBE SUPPORT
4	63283	RING, RETAINER
5	3951311	CLUTCH (COMPLETE)
6	3951308	BAND & LINING, CLUTCH (INCLUDES ILLUS. 7 & 8)
7	62646	CAP, CLUTCH SPRING (2)
8	3946792	SPRING, CLUTCH
9	8532118	GEARCASE (COMPLETE)
10	3357334	SCREW, GEARCASE TO BASE (3)
11	62611	PLATE, MOTOR MOUNT TO GEARCASE
12	62691	GROMMET, MOTOR (4)
13	285753	COUPLING, MOTOR & ISOLATION
15	3355454	CLIP, ANTI-RATTLE
16	3400516	SCREW
17	3349637	RETAINER, MOTOR (2)
18	3362089	SHIELD, TUB TO MOTOR
19	8577157	MOTOR, MAIN DRIVE
20	3952056	SWITCH, MAIN DRIVE MOTOR
21	8546127	RETAINER, PUMP (2)
22	3363394	PUMP (COMPLETE)
23	3387485	SCREW, 10-16 X 5/8
24	8316060	SHIELD, MOTOR

**7MWT95500SQ0 BASE**

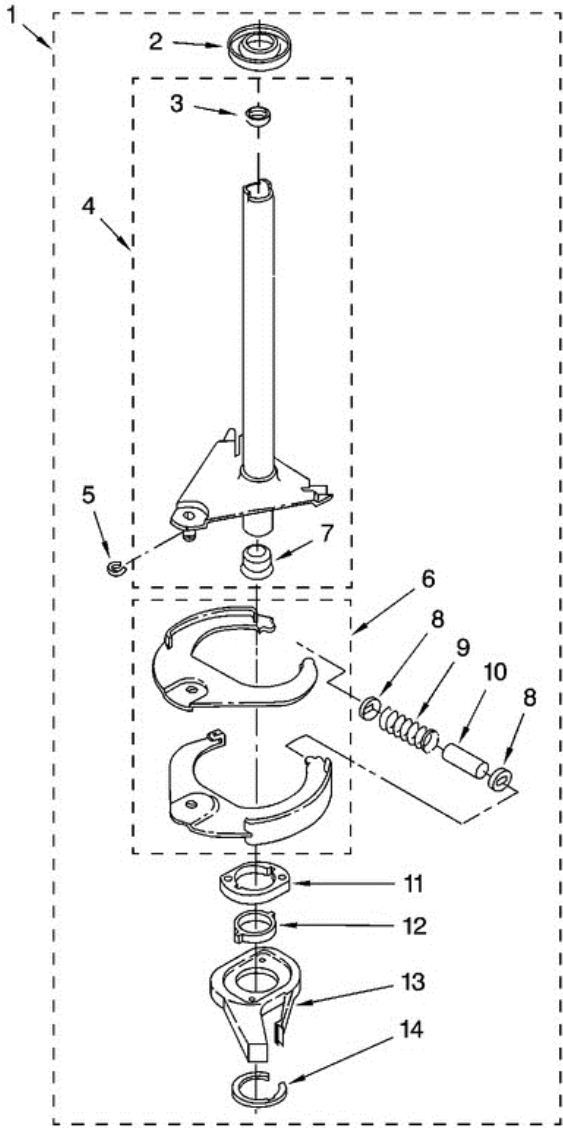




**7MWT95500SQ0 BASE**

1	3400076	SCREW, BRACKET MOUNTING (10-32 X 5/8)
2	64067	BRACKET, SPRING OUTER (2)
3	63907	SPRING, SUSPENSION (3)
4	8575214	SUPPORT & BRAKE, TUB
5	64065	BRACKET, SPRING OUTER (L.F.)
6	63466	LINK, LEVELING MECHANISM (2)
7	62597	SPRING, LEVELING MECHANISM
8	62837	PIN, KNURLED
9	62596	FOOT, REAR (2)
13	8546455	BEARING, CENTERPOST (2)
14	357409	SEAL, CENTERPOST (3)
15	388492	SPRING, COUNTERWEIGHT
16	62568	PAD, PLATE
17	3946509	PLATE, SUSPENSION (INCLUDES ILLUS. 16)
18	3363660	PAD, BASE
19	3946512	BASE ASSEMBLY (INCL. 6, 7, 8, 9, 16, 17,18, & 26.)
21	3359452	NUT, LOCK (2) (3/8-16)
22	389102	FOOT, FRONT (2)
23	356934	SEAL, CENTERPOST (2)
24	285203	CENTERPOST BEARING KIT (INCLUDES 13, 14 & 23)
25	63134	RING, SOUND DEADENING
26	63806	RETAINER, SUSPENSION SPRING

**7MWT95500SQ0 FLECHA HUECA**

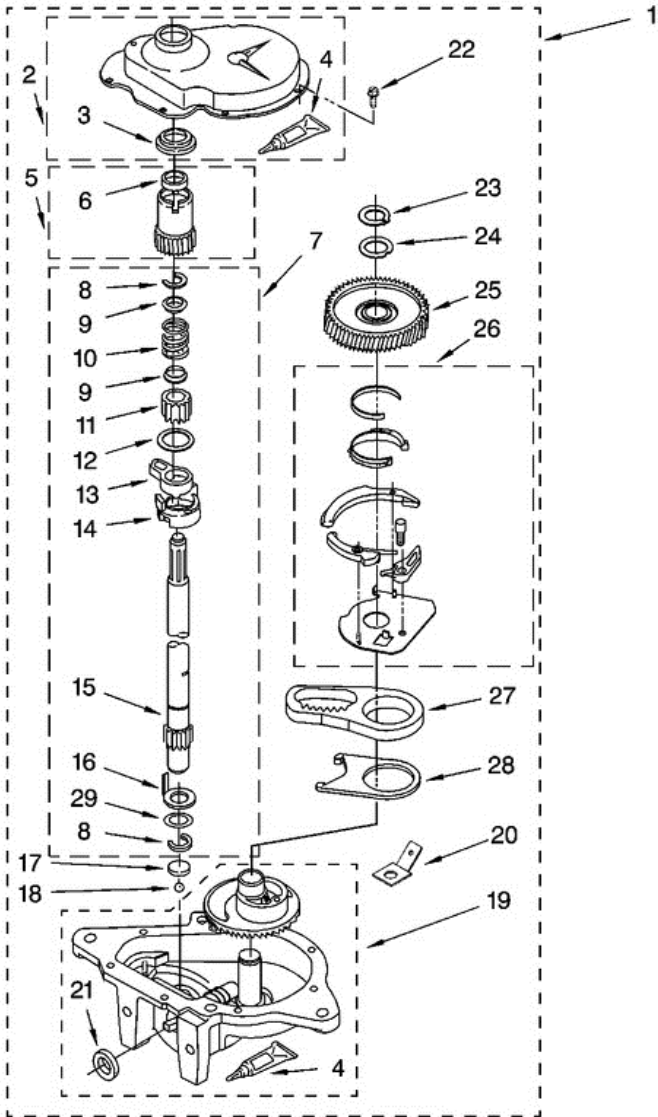




## 7MWT95500SQ0 FLECHA HUECA

1	388952	BRAKE AND DRIVE TUBE (COMPLETE)
2	62658	RING, THRUST
3	356427	SEAL, DRIVE TUBE
4	64027	TUBE, BASKET DRIVE (INCLUDES ILLUS. 3, 4, 5 & 9)
5	64035	RING, RETAINING
6	64232	SHOE, BRAKE (2)
7	62703	``T`` BEARING, SPIN TUBE
8	3353956	CAP, BRAKE SPRING (2)
9	387806	SPRING, BRAKE
10	3355360	SLEEVE, BRAKE SPRING
11	661516	CAM, BRAKE RELEASE
12	63022	SLEEVE, CAM
13	64194	DRIVER, BRAKE CAM
14		FOLLOWING PARTS NOT ILLUSTRATED
14	285208	LUBRICANT
14	90368	RING, RETAINING

**7MWT95500SQ0 TRANSMISION**





## 7MWT95500SQ0 TRANSMISION

1	8532118	GEARCASE (COMPLETE)
2	285202	COVER, GEARCASE
3	3349985	SEAL, GEARCASE COVER
4	285195	SEALER, GASKET (.20 FL. OZ.) (6 ML)
5	63320	PINION, SPIN (INCLUDES ITEM 25)
6	356427	SEAL, SPIN PINION
7	389387	SHAFT, AGITATOR (COMPLETE)
8	90369	RING, RETAINING (2)
9	62677	RETAINER, SPRING (2)
10	62676	SPRING, AGITATE
11	63273	GEAR, AGITATE (INCLUDES 15 & 29)
12	62619	WASHER, AGITATE GEAR
13	62580	CAM FOLLOWER (INCLUDES 14)
14	62581	CAM, AGITATE (INCLUDES 13)
15	285509	SHAFT, AGITATOR (INCLUDES 11 & 29)
16	62618	WASHER, CAM THRUST
17	16018	BEARING, THRUST (INCLUDES 18)
18	85529	BALL, BEARING (INCLUDES 17)
19	389230	BOTTOM AND PINION, GEARCASE
20	3949116	BLOCK TAB, TERMINAL
21	285352	SEAL, THRUST PLUG
22	3351614	SCREW, GEARCASE COVER MOUNTING (8)
23	3362552	RING, RETAINING
24	285735	WASHER KIT, THRUST
25	62570	GEAR, SPIN
26	388253	NEUTRAL ASSEMBLY
27	3349296	RACK, CONNECTING
28	62621	ACTUATOR, SHIFT
29	388815	WASHER, INTERMEDIATE