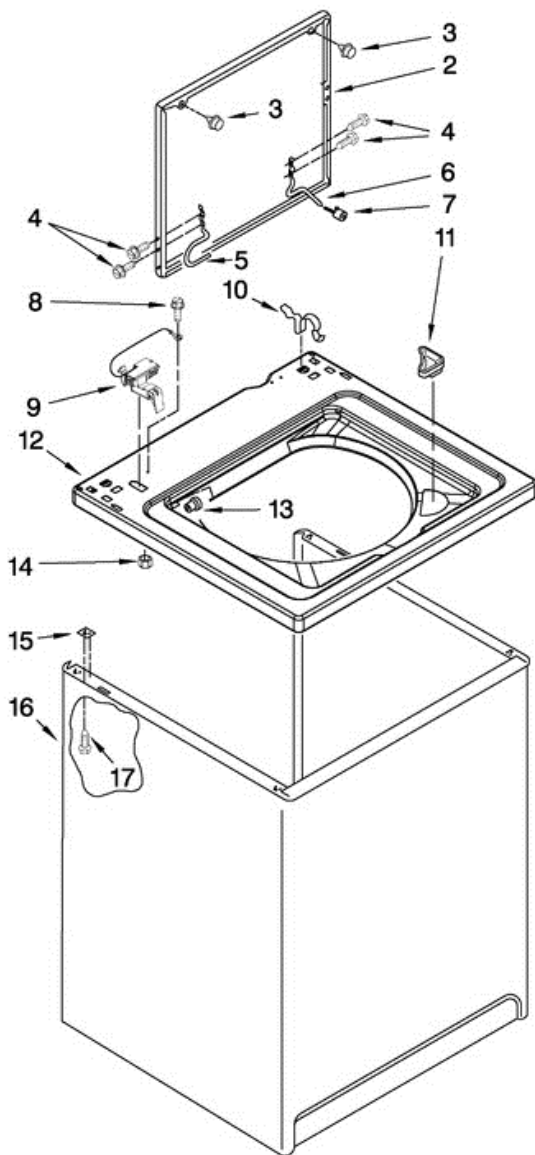


7MWT96007XQ0 GABINETE





7MWT96007XQ0 GABINETE

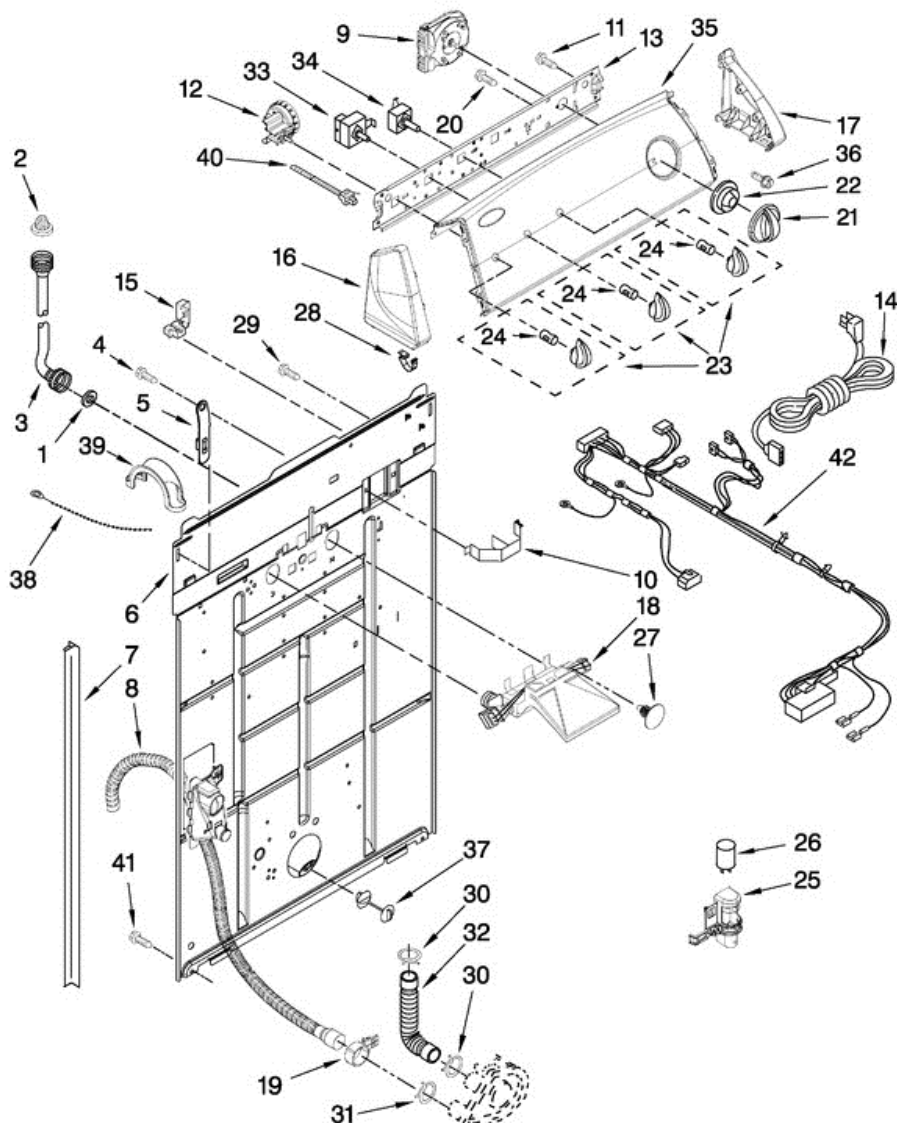
2	8541774	LID
3	9724509	BUMPER, LID (2)
4	W10119828	SCREW, LID HINGE MOUNTING (4)
5	W10225135	HINGE, LID (L.H.)
6	54583	HINGE, LID (R.H.)
7	19119	BUMPER, LID HINGE
8	3351614	SCREW, GROUND
9	8318084	SWITCH, LID
10	62780	CLIP, TOP & CABINET & REAR PANEL (2)
11	3362952	DISPENSER, BLEACH
12	8559483	TOP
13	21258	BEARING, LID HINGE (2)
14	8533959	NUT, HEX
15	62750	SPACER, CABINET TO TOP (4)
16	63424	CABINET
17	3390631	SCREW, 10-16 X 1/2 (4)

Distribuidor Autorizado

SurteRápido.com

Venta de Refacciones
Electrodomesticas

7MWT96007XQ0 TABLERO



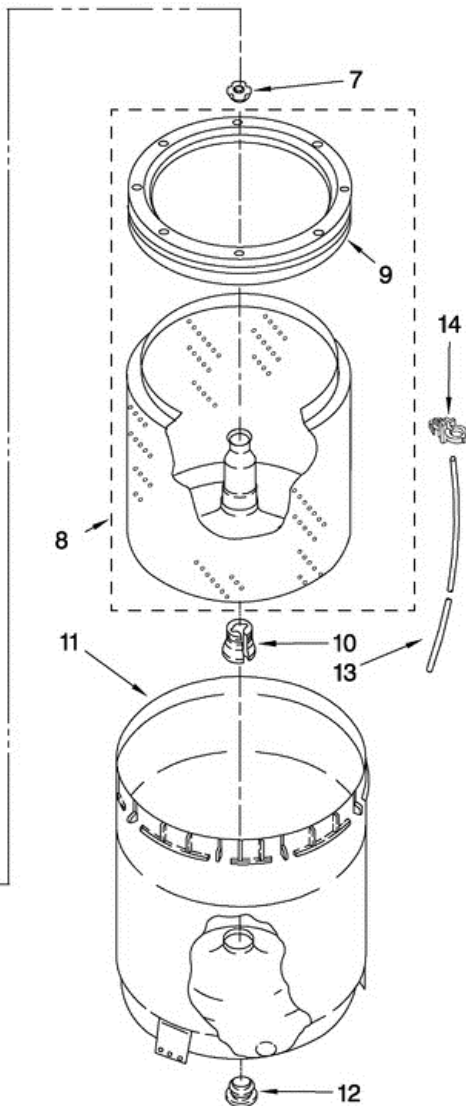
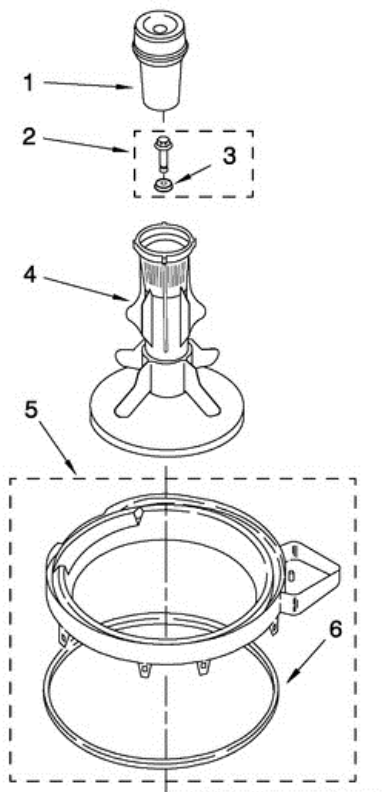


7MWT96007XQ0 TABLERO

1	W10242307	WASHER, WATER INLET HOSE (2) (1-1/16 X 5/8)
2	353362	WASHER, FILTER (2)
3	W10194210	HOSE, WATER INLET (2) (COLD WATER)
3	W10196191	HOSE, WATER INLET (2) (HOT WATER)
4	9740848	SCREW, 8-18 X 1/2
5	8568314	STRAP, CONSOLE (2)
6	W10194450	PANEL, REAR
7	62747	PAD, REAR PANEL
8	W10189267	HOSE, DRAIN ASSEMBLY (INCLUDES ITEM 19)
9	W10185786	TIMER, CONTROL (60 HZ.)
10	8055003	CLIP, HARNESS & PRESSURE HOSE
11	90767	SCREW, 8-18 X 3/8
12	W10231403	SWITCH, WATER LEVEL
13	8566003	BRACKET, CONTROL
14	W10115689	CORD, POWER (INCLUDES ITEM 15)
15	3952821	STRAIN RELIEF, POWER CORD
16	8566035	CAP, END (L.H.) (INCLUDES ITEM 28)
17	8566032	CAP, END (R.H.) (INCLUDES ITEM 28)
18	W10278652	VALVE, WATER INLET W/VACUUM BREAK
19	8541668	CLAMP, HOSE
20	3400073	SCREW, GROUND
21	8566022	KNOB, TIMER
22	8566018	DIAL, TIMER
23	8565944	KNOB, CONTROL
24	8536939	CLIP, KNOB
25	8318046	CLIP, CAPACITOR
26	8572717	CAPACITOR, MOTOR START
27	W10000080	CLIP, PUSH-IN RETAINER
28	8312709	CLIP, CONSOLE
29	3351614	SCREW, GROUND
30	3363366	CLAMP, HOSE
31	8317496	CLAMP, HOSE
32	3951449	HOSE, PUMP TO TUB (INCLUDES ITEM 30)

33	661612	SWITCH, WATER TEMPERATURE
34	3949180	SWITCH-ROTARY
35	W10301508	PANEL, CONSOLE
36	3400818	SCREW, TIMER MOUNTING
37	8519200	SUPPORT, REAR PANEL
38	3347868	CABLE TIE
39	8577378	U-BEND, DRAIN HOSE
40	W10231379	CABLE TIE
41	62863	SCREW, 10-16 X 3/8
42	W10235743	HARNESS, WIRING (FOR DETAIL SEE PAGES 9 & 10)

7MWT96007XQ0 TINAS

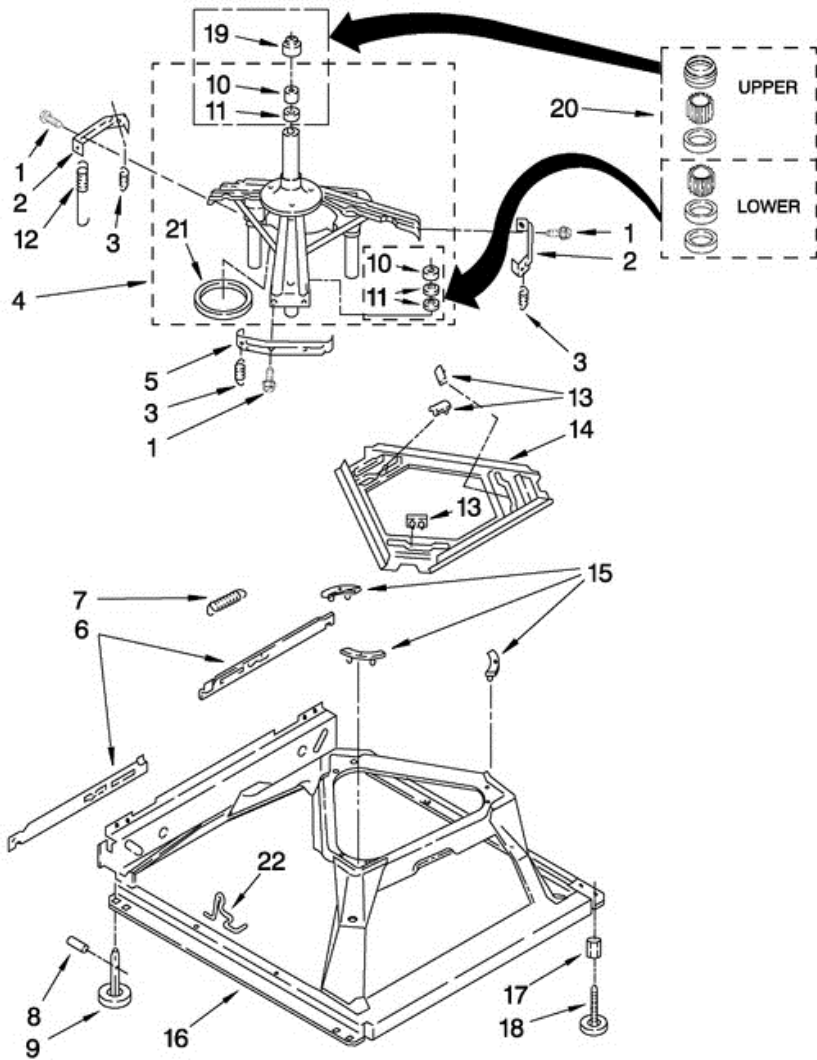




7MWT96007XQ0 TINAS

1	63580	DISPENSER, FABRIC SOFTENER
2	358237	SCREW & WASHER (5-16-24 X 1)
3	3949550	WASHER
4	63235	AGITATOR
5	8528150	TUB RING & GASKET
6	3976308	GASKET, TUB RING
7	21366	NUT, SPANNER
8	8526017	BASKET & BALANCE RING
9	387240	BALANCE RING
10	389140	BLOCK, BASKET DRIVE
11	63849	TUB
12	383727	GASKET, CENTERPOST
13	3347780	HOSE, PRESSURE SWITCH
14	2219077	CLIP, PRESSURE SWITCH HOSE

7MWT96007XQ0 BASE

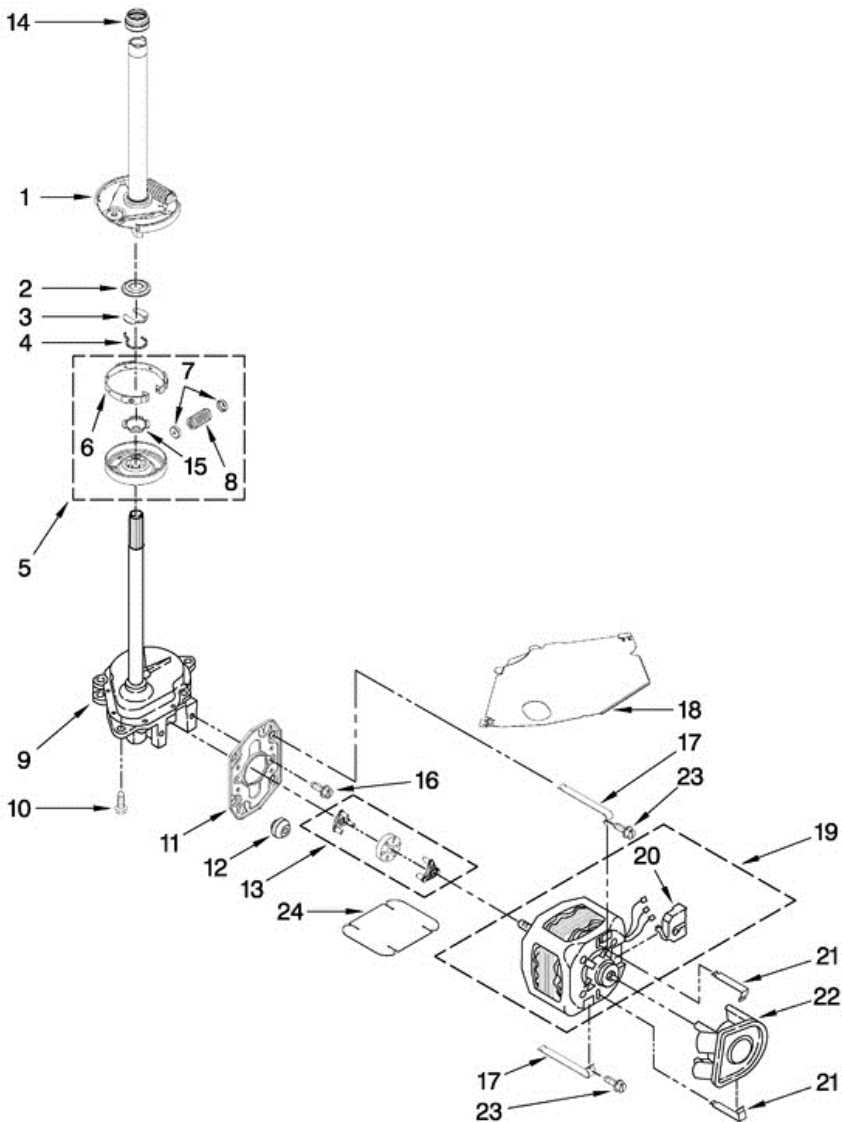




7MWT96007XQ0 BASE

1	3400076	SCREW, BRACKET MOUNTING (10-32 X 5/8)
2	64067	BRACKET, SPRING OUTER (2)
3	63907	SPRING, SUSPENSION (3)
4	8575214	SUPPORT & BRAKE, TUB
5	64065	BRACKET, SPRING OUTER (L.F.)
6	63466	LINK, LEVELING MECHANISM (2)
7	62597	SPRING, LEVELING MECHANISM
8	62837	PIN, KNURLED
9	62596	FOOT, REAR (2)
10	8546455	BEARING, CENTERPOST (2)
11	357409	SEAL, CENTERPOST (3)
12	W10250667	SPRING, COUNTERWEIGHT
13	62568	PAD, PLATE
14	3946509	PLATE, SUSPENSION (INCLUDES ITEM 13)
15	3363660	PAD, BASE
16	3946512	BASE ASSEMBLY
17	3359452	NUT, LOCK (2) (3/8-16)
18	W10001130	FOOT, FRONT (2)
19	8577376	SEAL, CENTERPOST
20	285203	CENTERPOST BEARING KIT
21	63134	RING, SOUND DEADENING
22	W10145155	RETAINER, SUSPENSION SPRING

7MWT96007XQ0 MOTOR

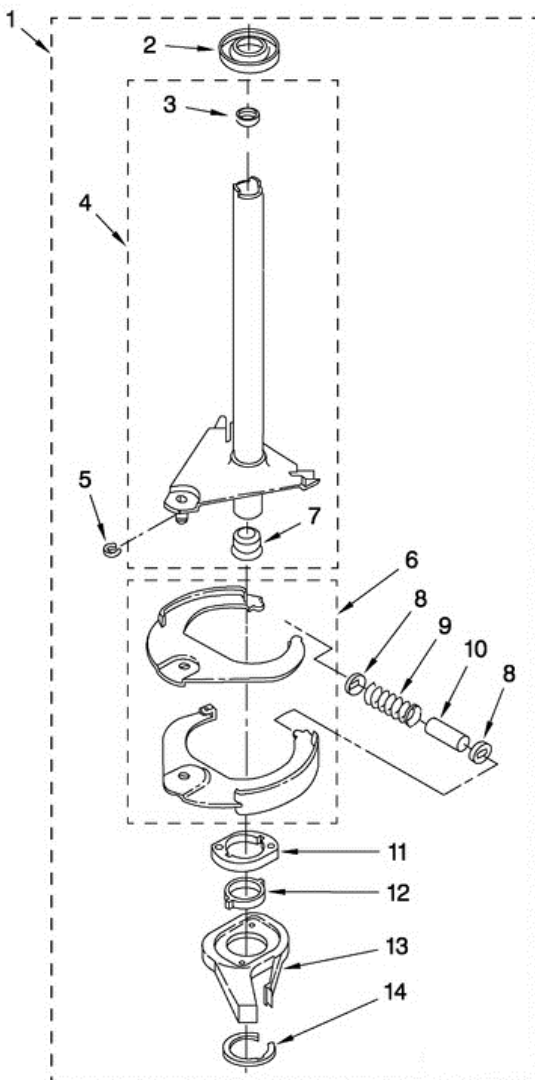




7MWT96007XQ0 MOTOR

1	388952	BRAKE & DRIVE TUBE (COMPLETE)
2	63292	WASHER, SPIN TUBE THRUST
3	62697	RING, SPIN TUBE SUPPORT
4	63283	RING, RETAINER
5	3951311	CLUTCH (COMPLETE)
6	3951308	BAND & LINING, CLUTCH (INCLUDES ITEMS 7 & 8)
7	62646	CAP, CLUTCH SPRING (2)
8	3946792	SPRING, CLUTCH
9	8532118	GEARCASE (COMPLETE)
10	3357334	SCREW, GEARCASE TO BASE (3)
11	62611	PLATE, MOTOR MOUNT TO GEARCASE
12	62691	GROMMET, MOTOR (4)
13	3364003	COUPLING, MOTOR & ISOLATION
14	8577374	SEAL
15	3355454	CLIP, ANTI-RATTLE
16	3400516	SCREW
17	W10086010	RETAINER, MOTOR (2)
18	3362089	SHIELD, TUB TO MOTOR
19	8528157	MOTOR, MAIN DRIVE
20	3952056	SWITCH, MAIN DRIVE MOTOR
21	8546127	RETAINER, PUMP (2)
22	3363394	PUMP (COMPLETE)
23	3387485	SCREW, 10-16 X 5/8
24	3946532	SHIELD, MOTOR

7MWT96007XQ0 FLECHA HUECA

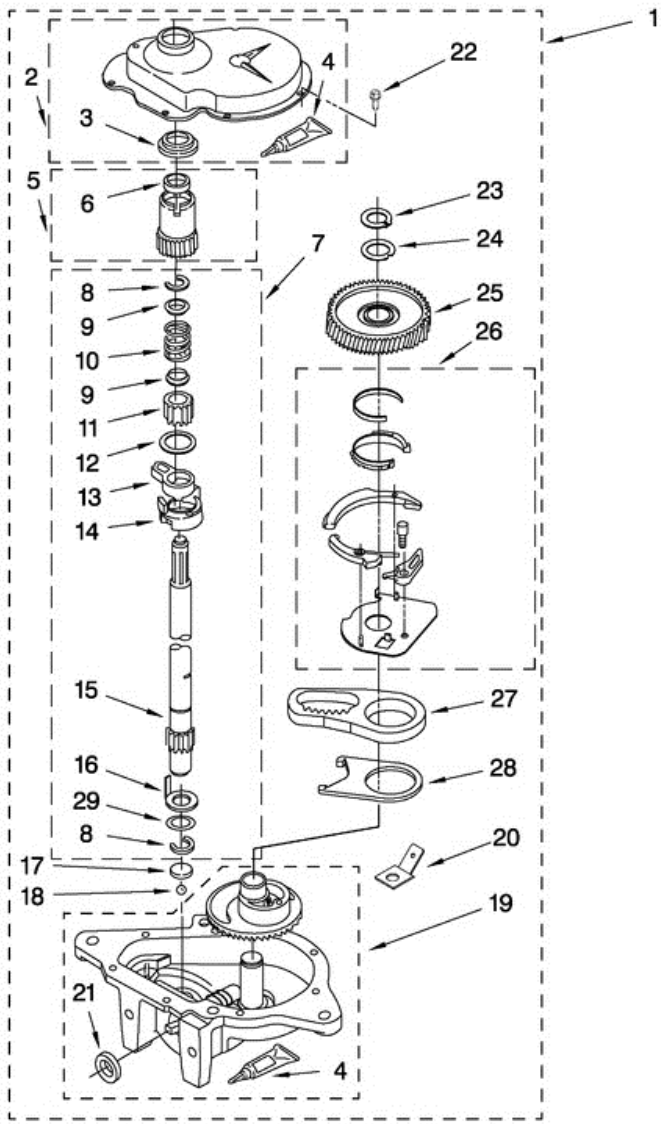




7MWT96007XQ0 FLECHA HUECA

1	388952	BRAKE AND DRIVE TUBE (COMPLETE)
2	62658	RING, THRUST
3	356427	SEAL, DRIVE TUBE
4	64027	TUBE, BASKET DRIVE (INCLUDES ILLUS. 3, 4, 5 & 9)
5	64035	RING, RETAINING
6	64232	SHOE, BRAKE (2)
7	62703	``T`` BEARING, SPIN TUBE
8	3353956	CAP, BRAKE SPRING (2)
9	387806	SPRING, BRAKE
10	3355360	SLEEVE, BRAKE SPRING
11	661516	CAM, BRAKE RELEASE
12	63022	SLEEVE, CAM
13	64194	DRIVER, BRAKE CAM
14	90368	RING, RETAINING
NI	285208	LUBRICANT

7MWT96007XQ0 TRANSMISION





7MWT96007XQ0 TRANSMISION

1	8532118	GEARCASE (COMPLETE)
2	285202	COVER, GEARCASE
3	3349985	SEAL, GEARCASE COVER
4	285195	SEALER, GASKET (.20 FL. OZ.) (6 ML)
5	63320	PINION, SPIN (INCLUDES ILLUS. 25)
6	356427	SEAL, SPIN PINION
7	389387	SHAFT, AGITATOR (COMPLETE)
8	90369	RING, RETAINING (2)
9	62677	RETAINER, SPRING (2)
10	62676	SPRING, AGITATE
11	63273	GEAR, AGITATE (INCLUDES 15 & 29)
12	62619	WASHER, AGITATE GEAR
13	62580	CAM FOLLOWER (INCLUDES 14)
14	62581	CAM, AGITATE (INCLUDES 13)
15	285509	SHAFT, AGITATOR (INCLUDES 11 & 29)
16	62618	WASHER, CAM THRUST
17	16018	BEARING, THRUST (INCLUDES 18)
18	85529	BALL, BEARING (INCLUDES 17)
19	389230	BOTTOM AND PINION, GEARCASE
20	3949116	BLOCK TAB, TERMINAL
21	285352	SEAL, THRUST PLUG
22	3351614	SCREW, GEARCASE COVER MOUNTING (8)
23	3362552	RING, RETAINING
24	285735	WASHER KIT, THRUST
25	62570	GEAR, SPIN
26	388253	NEUTRAL ASSEMBLY
27	3349296	RACK, CONNECTING
28	62621	ACTUATOR, SHIFT
29	388815	WASHER, INTERMEDIATE