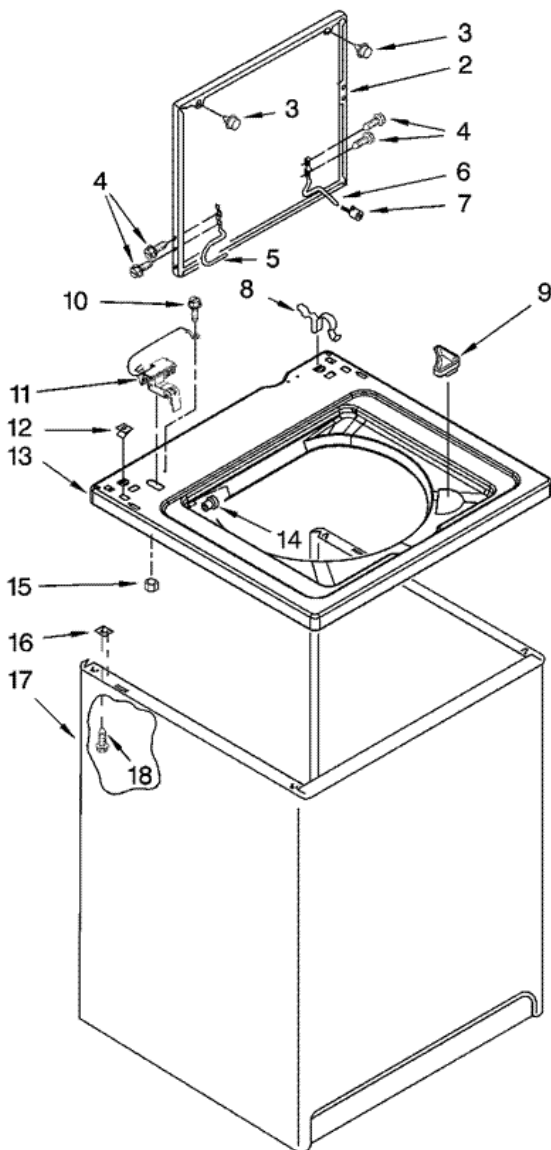


Distribuidor Autorizado

SurteRápido.com

Venta de Refacciones
Electrodomesticas

7MWT96500SQ2 GABINETE





7MWT96500SQ2 GABINETE

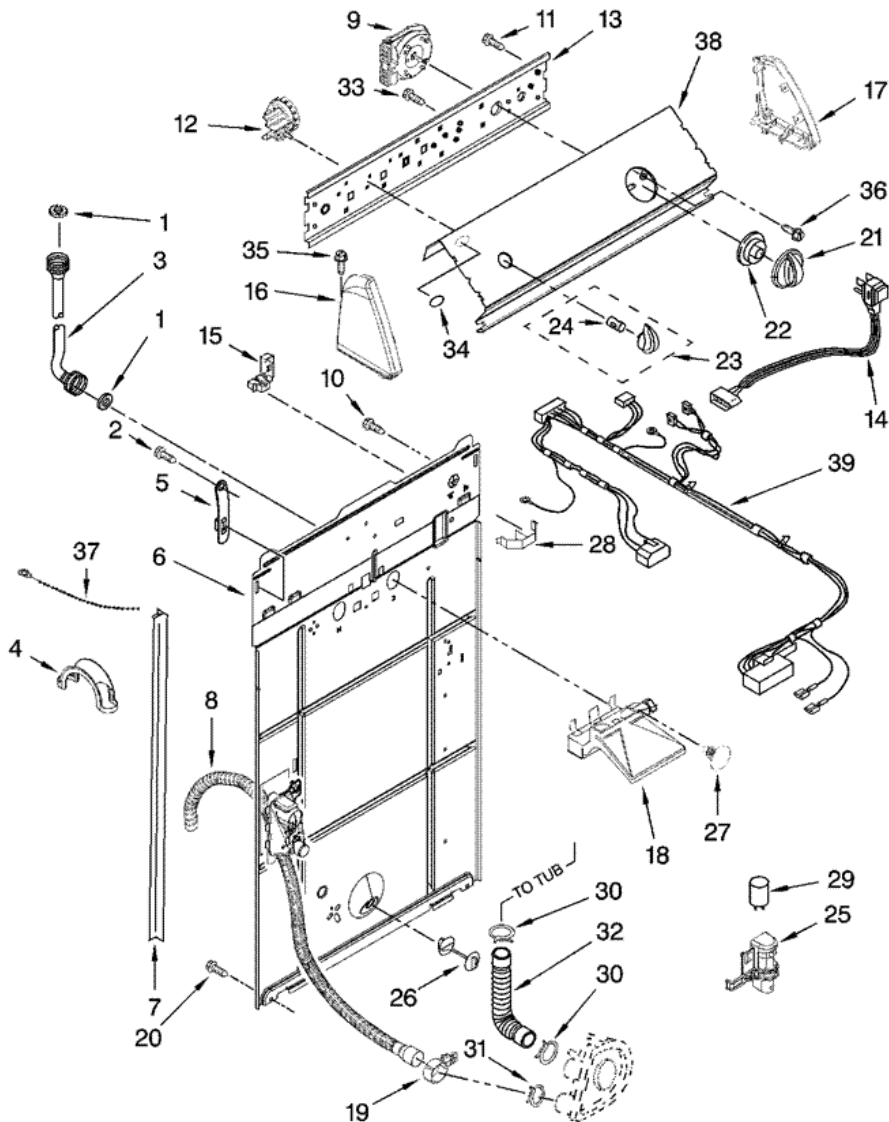
2	W10193857	LID (WHITE) (S/P)
2	W10193858	LID (BISCUIT) (S/P)
3	93770	BUMPER, LID (2)
4	W10119828	SCREW, LID HINGE MOUNTING (4) (S/P)
5	W10225135	HINGE, LID (L.H.) (S/P)
6	54583	HINGE, LID (R.H.) (S/P)
7	19119	BUMPER, LID HINGE (S/P)
8	62780	CLIP, TOP & CABINET & REAR PANEL (2)
9	3362952	DISPENSER, BLEACH
10	3351614	SCREW, GROUND (S/P)
11	8318084	SWITCH, LID
12	357213	NUT, PUSH-IN (2) (S/P)
13	8318064	TOP (WHITE) (S/P)
13	8318066	TOP (BISCUIT) (S/P)
14	21258	BEARING, LID HINGE (2) (S/P)
15	680762	NUT, HEX (S/P)
16	62750	SPACER, CABINET TO TOP (4) (S/P)
17	63424	CABINET (WHITE) (S/P)
17	3954357	CABINET (BISCUIT) (S/P)
18	3390631	SCREW 10-16 X 3/8 (4) (S/P)

Distribuidor Autorizado

SurteRápido.com

Venta de Refacciones
Electrodomesticas

7MWT96500SQ2 TABLERO



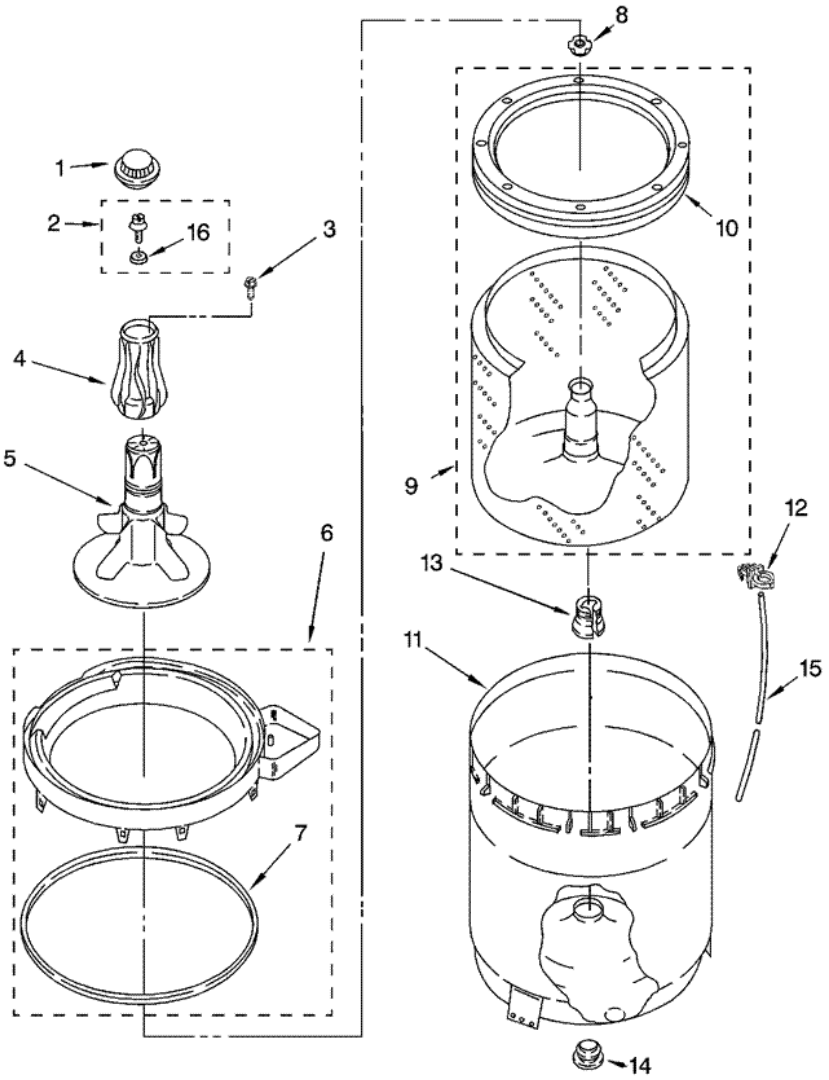


7MWT96500SQ2 TABLERO

1	16123	WASHER, WATER INLET HOSE (2) (1-1/16 X 5/8) (S/P)
2	9740848	SCREW, 8-18 X 1/2 (S/P)
3	89503	HOSE, WATER INLET
4	8577378	U-BEND, DRAIN HOSE (S/P)
5	8568314	STRAP, CONSOLE (2) (S/P)
6	W10194450	PANEL, REAR (S/P)
7	62747	PAD, REAR PANEL (S/P)
8	W10189267	DRAIN HOSE ASSEMBLY (INCLUDES ITEM 19) (S/P)
9	W10185789	TIMER, CONTROL (60 HZ.) (S/P)
10	3351614	SCREW, GROUND (S/P)
11	90767	SCREW, 8-18 X 3/8 (S/P)
12	W10339334	SWITCH, WATER LEVEL (S/P)
13	8544893	BRACKET, CONTROL (S/P)
14	W10115689	CORD, POWER (INCLUDES ITEM 15) (S/P)
15	285777	STRAIN RELIEF, POWER CORD (S/P)
16	279962	CAP, END (L.H.) (WHITE)
16	279965	CAP, END (L.H.) (BISCUIT) (S/P)
17	279962	CAP, END (R.H.) (WHITE)
17	279965	CAP, END (R.H.) (BISCUIT) (S/P)
18	W10140924	VALVE, WATER INLET W/VACUUM BREAK (S/P)
19	8541668	CLAMP, HOSE (S/P)
20	62863	SCREW, 10-16 X 3/8 (S/P)
21	8566022	KNOB, TIMER (WHITE)
21	8566025	KNOB, TIMER (BISCUIT) (S/P)
22	8566018	DIAL, TIMER
23	8565944	KNOB, CONTROL (WHITE) (S/P)
23	8565947	KNOB, CONTROL (BISCUIT) (S/P)
24	8536939	CLIP, KNOB (S/P)
25	8318046	CLIP, CAPACITOR (S/P)
26	8519200	SUPPORT, REAR PANEL
27	8282566	CLIP, PUSH-IN RETAINER (S/P)
28	8055003	CLIP, HARNESS & PRESSURE HOSE (S/P)
29	8572717	CAPACITOR, MOTOR START (S/P)

30	616099	CLAMP, HOSE (S/P)
31	285655	CLAMP, HOSE (S/P)
32	285871	HOSE, PUMP TO TUB (INCLUDES ITEM 30)
33	3400073	SCREW, GROUND (S/P)
34	3400985	MEDALLION (S/P)
35	388326	SCREW, 8-18 X 1.25 (S/P)
36	3400818	SCREW, TIMER MOUNTING (S/P)
37	W10339879	CABLE TIE (S/P)
38	W10222540	PANEL, CONSOLE (INCLUDES 34) (WHITE) (S/P)
38	W10222541	PANEL, CONSOLE (INCLUDES 34) (BISCUIT) (S/P)
39	W10243990	HARNESS, WIRING (S/P)

7MWT96500SQ2 TINAS

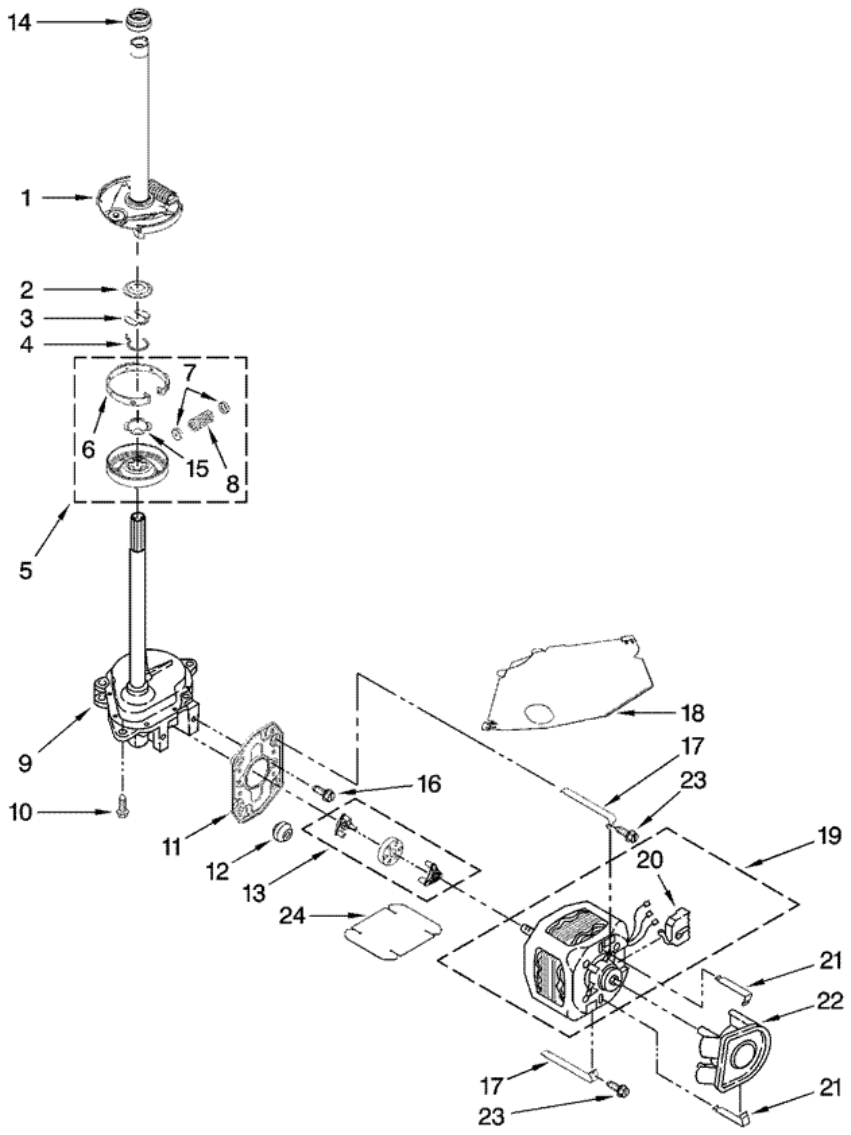




7MWT96500SQ2 TINAS

1	3355758	CAP, AGITATOR (S/P)
2	358237	SCREW & WASHER
3	63027	SCREW (2) (S/P)
4	64210	EXTENSION, AGITATOR (S/P)
5	387838	AGITATOR (S/P)
6	8528150	TUB RING (S/P)
7	3976308	GASKET, TUB RING
8	21366	NUT, SPANNER
9	W10389329	BASKET & BALANCE RING (S/P)
10	387240	BALANCE RING
11	63849	TUB (S/P)
12	2219077	CLIP, PRESSURE SWITCH HOSE (S/P)
13	389140	BLOCK, DRIVE
14	383727	GASKET, CENTERPOST
15	353244	HOSE, PRESSURE SWITCH
16	3949550	WASHER (S/P)

7MWT96500SQ2 MOTOR





7MWT96500SQ2 MOTOR

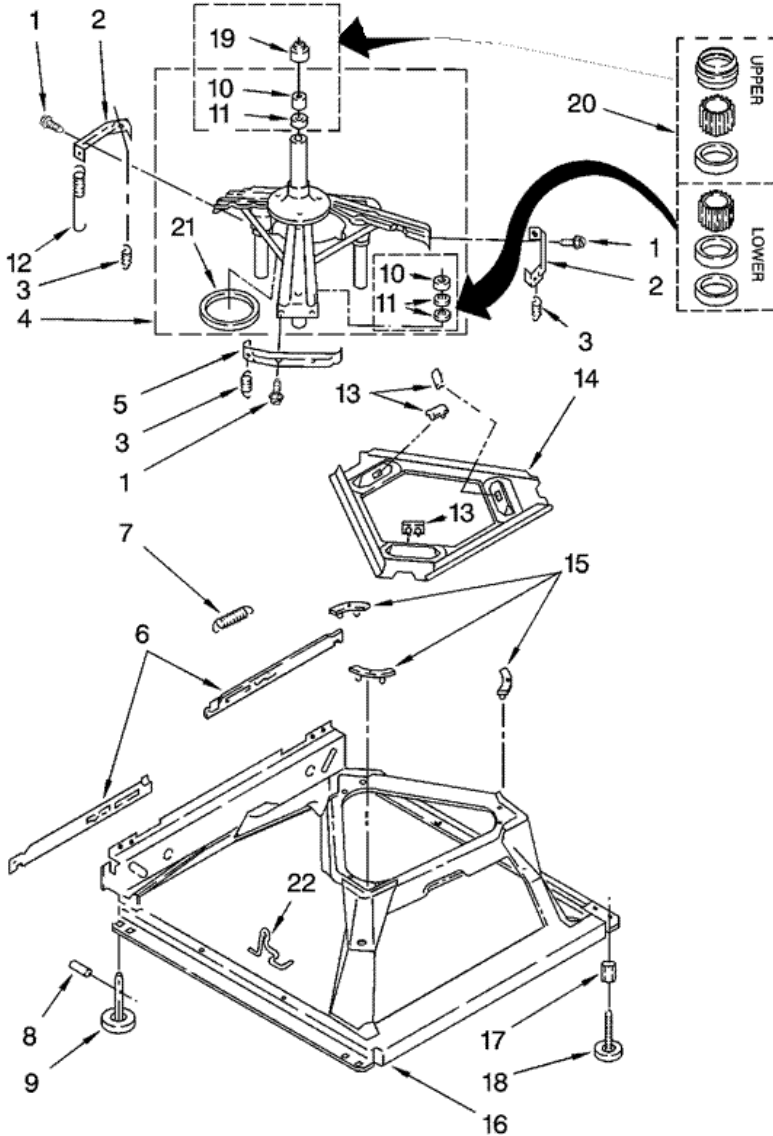
1	285792	BRAKE & DRIVE TUBE (COMPLETE)
2	63292	WASHER, SPIN TUBE THRUST
3	62697	RING, SPIN TUBE SUPPORT
4	285353	RING, RETAINER
5	285785	CLUTCH (COMPLETE)
6	285790	BAND & LINING, CLUTCH (INCLUDES ITEMS 7 & 8)
7	62646	CAP, CLUTCH SPRING (2) (S/P)
8	3946792	SPRING, CLUTCH (S/P)
9	3360629	GEARCASE (COMPLETE)
10	3357334	SCREW, GEARCASE TO BASE (3) (S/P)
11	62611	PLATE, MOTOR MOUNT TO GEARCASE (S/P)
12	62691	GROMMET, MOTOR (4)
13	285753	COUPLING, MOTOR AND ISOLATION
14	8577374	SEAL (S/P)
15	3355454	CLIP, ANTI-RATTLE (S/P)
16	3400516	SCREW (S/P)
17	3349637	RETAINER, MOTOR (2)
18	3362089	SHIELD, TUB TO MOTOR (S/P)
19	389248	MOTOR, MAIN DRIVE
20	3952056	SWITCH, MAIN DRIVE MOTOR (S/P)
21	62700	RETAINER, PUMP (2)
22	3363394	PUMP (COMPLETE)
23	3387485	SCREW, 10-16 X 5/8 (S/P)
24	3946532	SHIELD, MOTOR (S/P)

Distribuidor Autorizado

SurteRápido.com

Venta de Refacciones
Electrodomesticas

7MWT96500SQ2 BASE

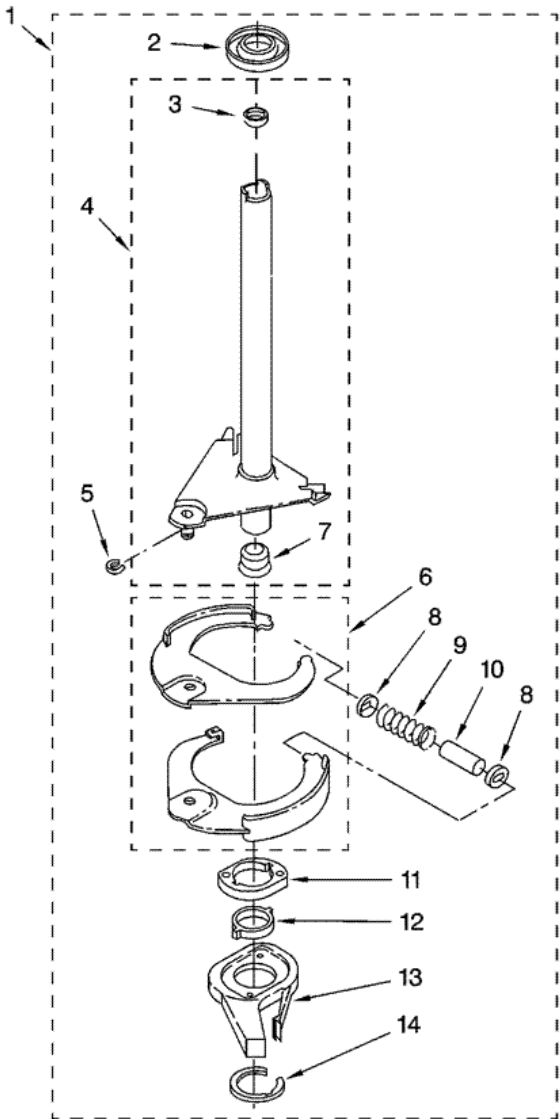




7MWT96500SQ2 BASE

1	3400076	SCREW, BRACKET MOUNTING (10-32 X 5/8) (S/P)
2	64067	BRACKET, SPRING OUTER (2)
3	63907	SPRING, SUSPENSION (3)
4	280184	SUPPORT & BRAKE, TUB (S/P)
5	64065	BRACKET, SPRING OUTER (L.F.)
6	63466	LINK, LEVELING MECHANISM (2) (S/P)
7	8316845	SPRING, LEVELING MECHANISM
8	62837	PIN, KNURLED (S/P)
9	285244	FOOT, REAR (2)
10	8546455	BEARING, CENTERPOST (2) (S/P)
11	359449	SEAL, CENTERPOST (3)
12	388492	SPRING, COUNTERWEIGHT
13	285219	PAD, PLATE
14	3946509	PLATE, SUSPENSION (INCLUDES ILLS.13) (S/P)
15	285744	PAD, BASE
16	285771	BASE ASSEMBLY
17	3359452	NUT, LOCK (2) (3/8-16) (S/P)
18	389102	FOOT, FRONT (2)
19	91938	SEAL, CENTERPOST
20	285203	CENTERPOST BEARING KIT
21	63134	RING, SOUND DEADENING
22	63806	RETAINER, SUSPENSION SPRING

7MWT96500SQ2 FLECHA HUECA





7MWT96500SQ2 FLECHA HUECA

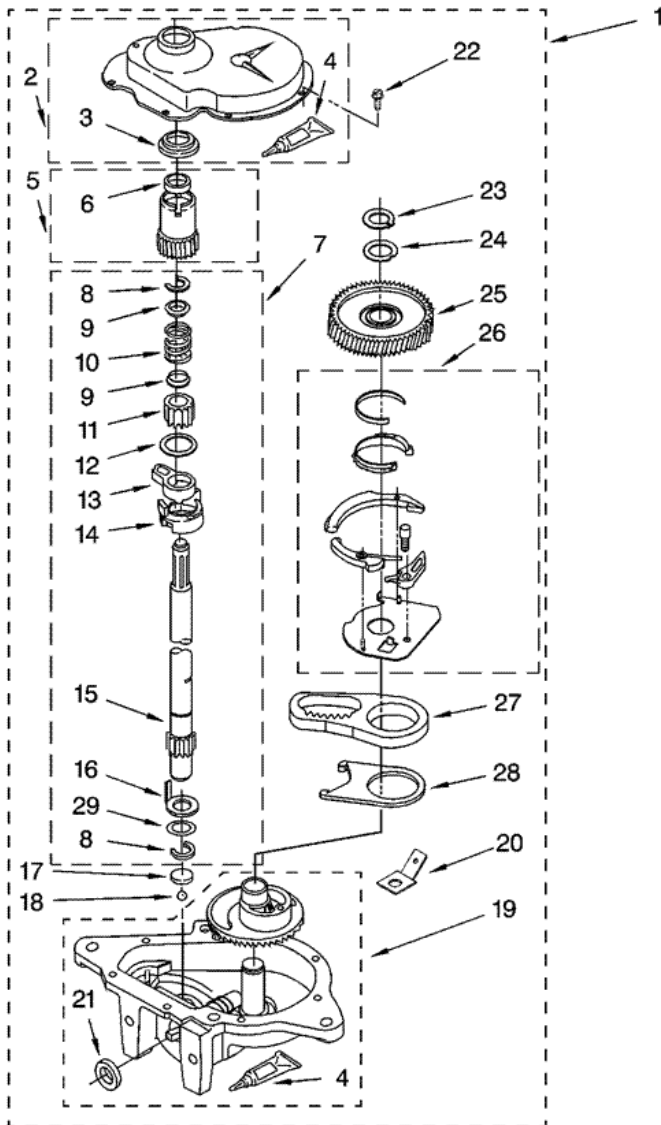
	285208	LUBRICANT (S/P)
1	285792	BRAKE AND DRIVE TUBE (COMPLETE)
2	62658	RING, THRUST
3	356427	SEAL, DRIVE TUBE
4	285792	TUBE, BASKET DRIVE (INCLUDES ILLUS. 3, 4, 5 & 9)
5	W10083190	RING, RETAINING (S/P)
6	285438	SHOE, BRAKE (2)
7	62703	``T`` BEARING, SPIN TUBE
8	285658	CAP, BRAKE SPRING (2) (S/P)
9	387806	SPRING, BRAKE DESCONTINUADO
10	285658	SLEEVE, BRAKE SPRING (S/P)
11	661516	CAM, BRAKE RELEASE
12	63022	SLEEVE, CAM DESCONTINUADO
13	285790	DRIVER, BRAKE CAM
14	90368	RING, RETAINING

Distribuidor Autorizado

SurteRápido.com

Venta de Refacciones
Electrodomesticas

7MWT96500SQ2 TRANSMISION





7MWT96500SQ2 TRANSMISION

1	3360629	GEARCASE (COMPLETE)
2	285202	COVER, GEARCASE (S/P)
3	3349985	SEAL, GEARCASE COVER
4	285195	SEALER, GASKET (.20 FL. OZ.) (6 ML) (S/P)
5	285362	PINION, SPIN (INCLUDES ILLUS. 25)
6	356427	SEAL, SPIN PINION
7	389387	SHAFT, AGITATOR (COMPLETE) (S/P)
8	90369	RING, RETAINING (2)
9	62677	RETAINER, SPRING (2)
10	62676	SPRING, AGITATE DESCONTINUADO
11	285509	GEAR, AGITATE DESCONTINUADO
12	62619	WASHER, AGITATE GEAR (S/P)
13	285206	CAM FOLLOWER (INCLUDES 14)
14	285206	CAM, AGITATE (INCLUDES 13)
15	285509	SHAFT, AGITATOR DESCONTINUADO
16	62618	WASHER, CAM THRUST
17	285205	BEARING, THRUST (INCLUDES 18)
18	285205	BALL, BEARING (INCLUDES 17)
19	285515	BOTTOM AND PINION, GEARCASE (S/P)
20	3949116	BLOCK TAB, TERMINAL (S/P)
21	285352	SEAL, THRUST PLUG
22	3351614	SCREW, GEARCASE COVER MOUNTING (8) (S/P)
23	285765	RING, RETAINING
24	285735	WASHER KIT, THRUST
25	285362	GEAR, SPIN
26	388253	NEUTRAL ASSEMBLY
27	3949609	RACK, CONNECTING
28	62621	ACTUATOR, SHIFT
29	388815	WASHER, INTERMEDIATE (S/P)