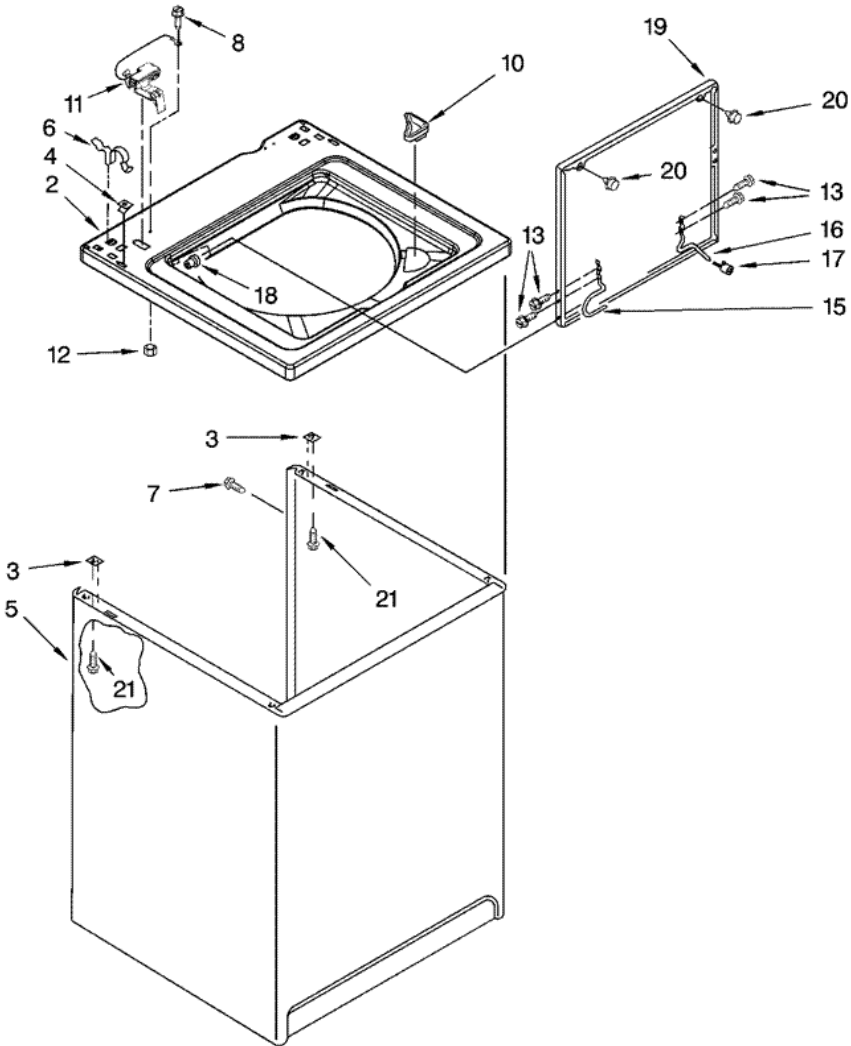


**7MWT96540SQ0 GABINETE**





**7MWT96540SQ0 GABINETE**

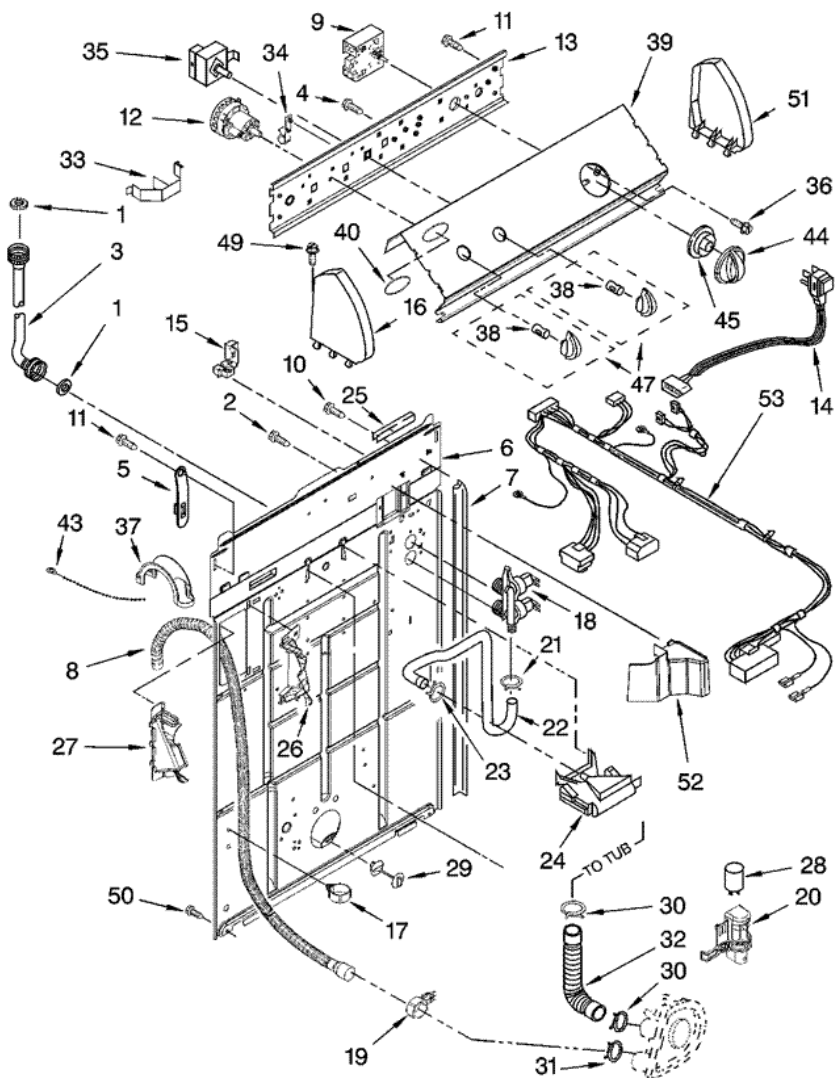
2	8318064	TOP (WHITE) <b>(S/P)</b>
2	8318066	TOP (BISCUIT) <b>(S/P)</b>
3	62750	SPACER, CABINET TO TOP (4) <b>(S/P)</b>
4	357213	NUT, PUSH-IN (2) <b>(S/P)</b>
5	3954357	CABINET (BISCUIT) <b>(S/P)</b>
5	63424	CABINET (WHITE) <b>(S/P)</b>
6	62780	CLIP, TOP & CABINET & REAR PANEL (2)
7	3357011	<b>DESCONTINUADO</b>
8	3351614	SCREW, GROUND <b>(S/P)</b>
10	3362952	DISPENSER, BLEACH
11	8318084	SWITCH, LID
12	680762	NUT, HEX <b>(S/P)</b>
13	3351355	SCREW, LID HINGE MOUNTING (4) <b>(S/P)</b>
15	8318088	HINGE, LID (L.H.) <b>(S/P)</b>
16	54583	HINGE, LID (R.H.) <b>(S/P)</b>
17	19119	BUMPER, LID HINGE <b>(S/P)</b>
18	21258	BEARING, LID HINGE (2) <b>(S/P)</b>
19	3957617	LID (WHITE) <b>(S/P)</b>
19	3957618	LID (BISCUIT) <b>(S/P)</b>
20	93770	BUMPER, LID (2)
21	3390631	SCREW, 10-16 X 3/8 <b>(S/P)</b>

Distribuidor Autorizado

SurteRápido.com

Venta de Refacciones  
Electrodomesticas

## 7MWT96540SQ0 TABLERO



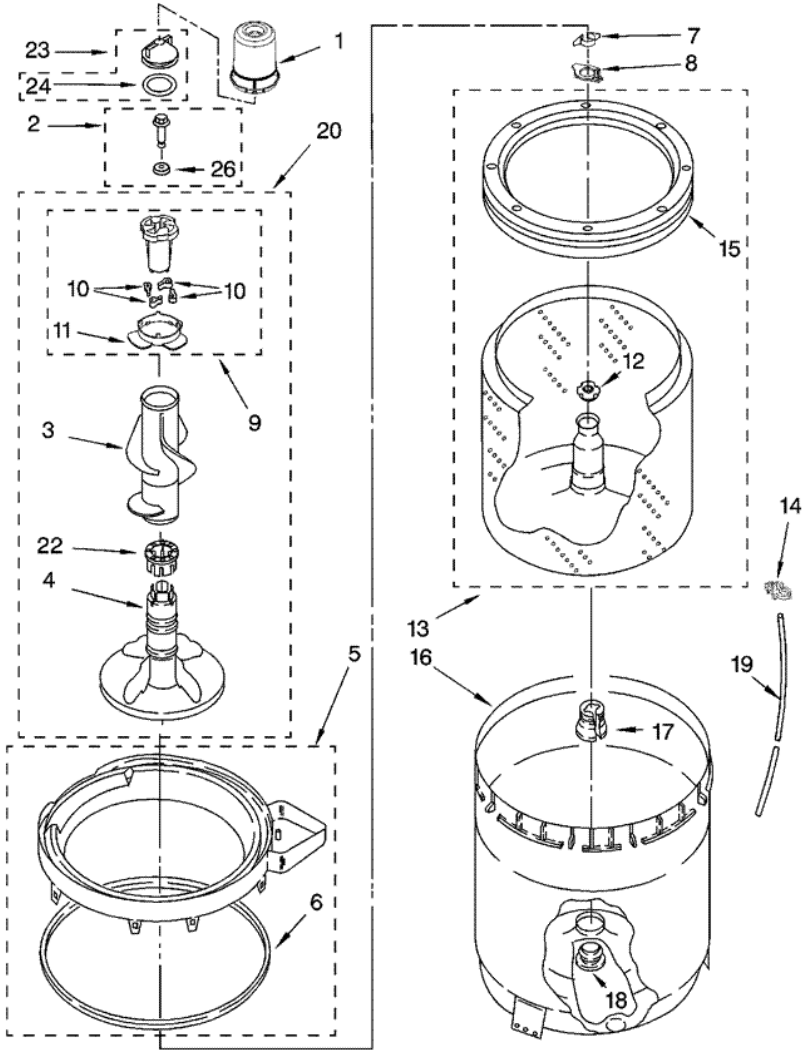


## 7MWT96540SQ0 TABLERO

1	3976300	WASHER, WATER INLET HOSE (4) <b>(S/P)</b>
2	9740848	SCREW, 8-18 X 1/2 <b>(S/P)</b>
3	89503	HOSE, WATER INLET (2) (BLUE COUPLER)
4	3400073	SCREW, GROUND <b>(S/P)</b>
5	8568314	STRAP, CONSOLE (2) <b>(S/P)</b>
6	8318015	PANEL, REAR <b>(S/P)</b>
7	62747	PAD, REAR PANEL <b>(S/P)</b>
8	8559373	DRAIN HOSE ASSEMBLY <b>(S/P)</b>
9	3953146	TIMER, CONTROL (60 HZ.)
10	3351614	SCREW, GROUND <b>(S/P)</b>
11	90767	SCREW, 8-18 X 3/8 <b>(S/P)</b>
12	3366847	SWITCH, WATER LEVEL
13	8544893	BRACKET, CONTROL <b>(S/P)</b>
14	8559419	CORD, POWER (INCLUYES ITEM 15)
15	285777	STRAIN RELIEF, POWER CORD <b>(S/P)</b>
16	279962	CAP, END (L.H.) (WHITE)
16	8314852	CAP, END (L.H.) (BISCUIT) <b>(S/P)</b>
17	8541667	CLAMP, HOSE <b>(S/P)</b>
18	285805	VALVE, WATER MIXING
19	8541668	CLAMP, HOSE <b>(S/P)</b>
20	8318046	CLIP, CAPACITOR <b>(S/P)</b>
21	301958	CLAMP, HOSE <b>(S/P)</b>
22	3357328	HOSE, VACUUM BREAK
23	370450	CLAMP, HOSE <b>(S/P)</b>
24	3360977	BREAK, VACUUM
25	3367669	EDGE PROTECTOR <b>(S/P)</b>
26	8541669	BUCKET, DRAIN HOSE (LEFT HALF) <b>(S/P)</b>
27	8541658	BUCKET, DRAIN HOSE (RIGHT HALF) <b>(S/P)</b>
28	8572717	CAPACITOR, MOTOR START <b>(S/P)</b>
29	8519200	SUPPORT, REAR PANEL
30	3363366	CLAMP, HOSE <b>(S/P)</b>

31	8317496	CLAMP, HOSE <b>(S/P)</b>
32	285871	HOSE, PUMP TO TUB
33	8055003	CLIP, HARNESS & PRESSURE HOSE <b>(S/P)</b>
34	8317975	RETAINER, HARNESS <b>(S/P)</b>
35	661612	SWITCH, WATER TEMPERATURE
36	3400818	SCREW, TIMER MOUNTING <b>(S/P)</b>
37	8577378	U-BEND, DRAIN HOSE <b>(S/P)</b>
38	8536939	CLIP, KNOB <b>(S/P)</b>
39	8543013	PANEL, CONSOLE (WHITE) <b>(S/P)</b>
39	8543014	PANEL, CONSOLE (BISCUIT) <b>(S/P)</b>
40	3400985	MEDALLION <b>(S/P)</b>
43	3347868	CABLE TIE <b>(S/P)</b>
44	8566022	KNOB, TIMER (WHITE)
44	8566025	KNOB, TIMER (BISCUIT) <b>(S/P)</b>
45	8566018	DIAL, TIMER
47	8565944	KNOB, CONTROL (WHITE) <b>(S/P)</b>
47	8565947	KNOB, CONTROL (BISCUIT) <b>(S/P)</b>
49	388326	SCREW, 8-18 X 1.25 (PANEL TO TOP) <b>(S/P)</b>
50	62863	SCREW, 10-16 X 3/8 <b>(S/P)</b>
51	279962	CAP, END (R.H.) (WHITE)
51	8314851	CAP, END (R.H.) (BISCUIT) <b>(S/P)</b>
52	8314879	SHIELD, INLET VALVE <b>(S/P)</b>
53	3956733	WIRING HARNESS

**7MWT96540SQ0 AGITADOR**

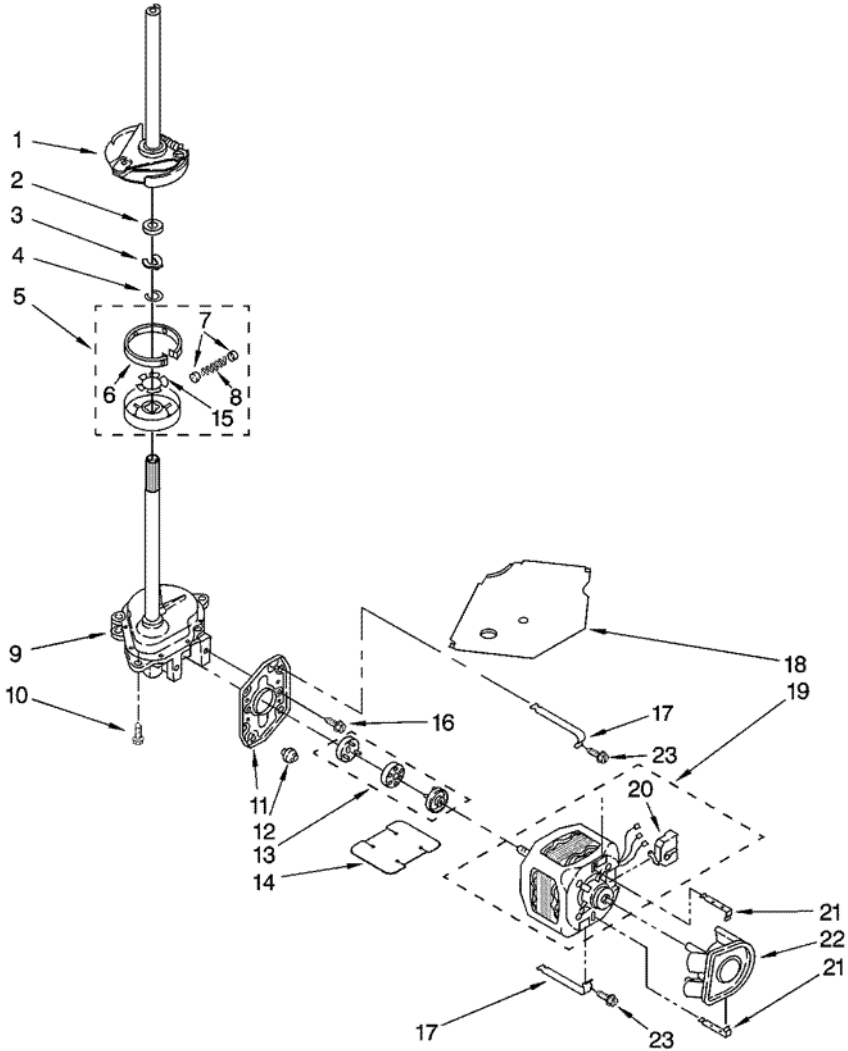




## 7MWT96540SQ0 AGITADOR

1	8533252	DISPENSER, FABRIC SOFTENER <b>(S/P)</b>
2	358237	SCREW & WASHER (5/16-24 X 1)
3	3360824	AUGER, AGITADOR
4	389386	AGITATOR
5	8528150	TUB RING & GASKET
6	3976308	GASKET, TUB RING
9	285748	CAM, DRIVEN
10	285770	DOG, AGITATOR CLUTCH (4)
11	3363661	BEARING-DRIVEN CAM <b>(S/P)</b>
12	21366	NUT, SCANNER
13	8526017	BASKET & BALANCE RING <b>(S/P)</b>
14	2219077	CLIP, PRESSURE SWITCH HOSE <b>(S/P)</b>
15	387240	BALANCE RING <b>(S/P)</b>
16	63849	TUB
17	389140	BLOCK, BASKET DRIVE
18	383727	GASKET, CENTERPOST
19	353244	HOSE, PRESSURE SWITCH
20	285727	AGITATOR (COMPLETE)
22	285587	SPACER, THRUST
23	285551	CAP, BARRIER
24	3348855	SEAL, INNER CAP
26	3949550	WASHER <b>(S/P)</b>

**7MWT96540SQ0 MOTOR**



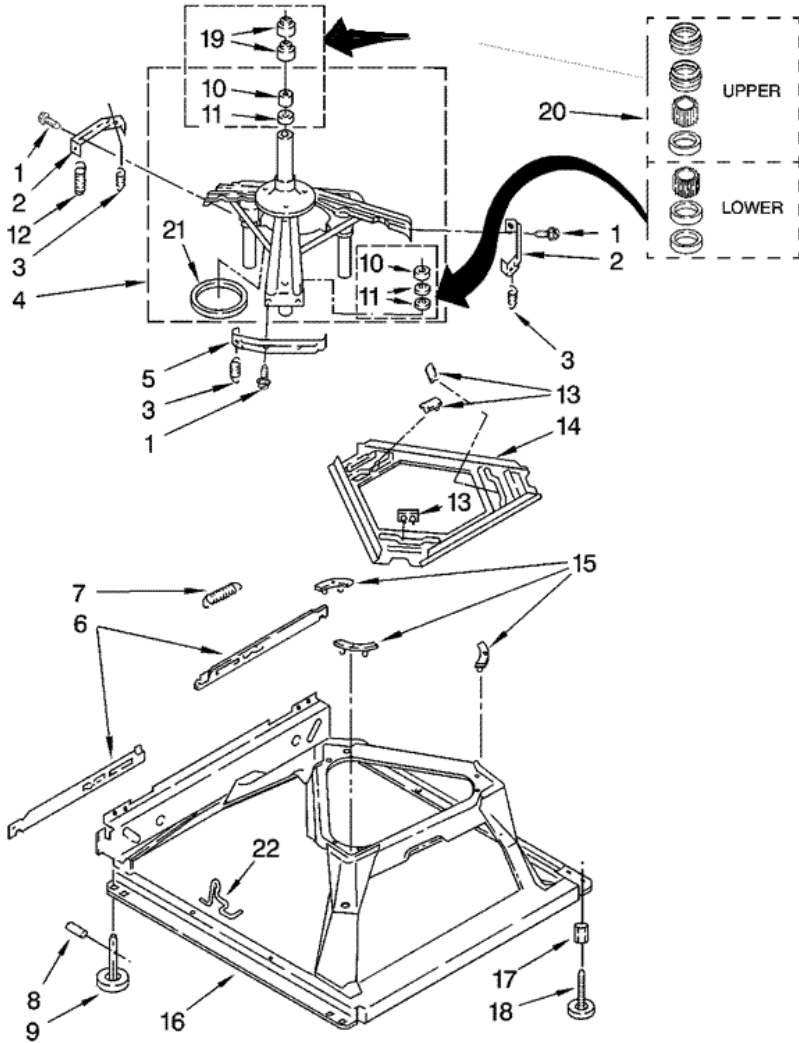




## 7MWT96540SQ0 MOTOR

1	285792	BRAKE & DRIVE TUBE (COMPLETE)
2	63292	WASHER, SPIN TUBE THRUST
3	62697	RING, SPIN TUBE SUPPORT
4	285353	RING, RETAINER
5	285785	CLUTCH (COMPLETE)
6	285790	BAND & LINING, CLUTCH
7	62646	CAP, CLUTCH SPRING (2) <b>(S/P)</b>
8	3946792	SPRING, CLUTCH <b>(S/P)</b>
9	3360629	GEARCASE (COMPLETE)
10	3357334	SCREW, GEARCASE TO BASE (3) <b>(S/P)</b>
11	62611	PLATE, MOTOR MOUNT TO GEARCASE
12	62691	GROMMET, MOTOR (4)
13	285753	COUPLING, MOTOR & ISOLATION
14	8316060	SHIELD, MOTOR <b>(S/P)</b>
15	3355454	CLIP, ANTI-RATTLE <b>(S/P)</b>
16	3400516	SCREW <b>(S/P)</b>
17	3349637	RETAINER, MOTOR (2)
18	3362089	SHIELD, TUB TO MOTOR <b>(S/P)</b>
19	389248	MOTOR, MAIN DRIVE
20	3952056	SWITCH, MAIN DRIVE MOTOR <b>(S/P)</b>
21	62700	RETAINER, PUMP (2)
22	3363394	PUMP (COMPLETE)
23	3387485	SCREW, 10-16 X 5/8 <b>(S/P)</b>

**7MWT96540SQ0 BASE**





## 7MWT96540SQ0 BASE

1	3400076	SCREW, BRACKET MOUNTING (10-32 X 5/8) <b>(S/P)</b>
2	64067	BRACKET, SPRING OUTER (2)
3	63907	SPRING SUSPENSION,(3)
4	280184	SUPPORT & BRAKE, TUB
5	64065	BRACKET, SPRING OUTER (L.F.)
6	63466	LINK, LEVELING MECHANISM (2)
7	8316845	SPRING, LEVELING MECHANISM
8	62837	PIN, KNURLED <b>(S/P)</b>
9	285244	FOOT, REAR (2)
10	8546455	BEARING, CENTERPOST (2) <b>(S/P)</b>
11	359449	SEAL, CENTERPOST (3)
12	388492	SPRING, COUNTERWEIGHT
13	285219	PAD, PLATE
14	3946509	PLATE, SUSPENSION (INCLUDES ITEM 13)
15	285744	PAD, BASE
16	285771	BASE ASSEMBLY
17	3359452	NUT, LOCK (2) (3/8-16) <b>(S/P)</b>
18	W10001130	FOOT, FRONT (2) <b>(S/P)</b>
19	91938	SEAL, CENTERPOST (2)
20	285203	CENTERPOST BEARING KIT
21	63134	RING, SOUND DEADENING
22	63806	RETAINER, SUSPENSION SPRING

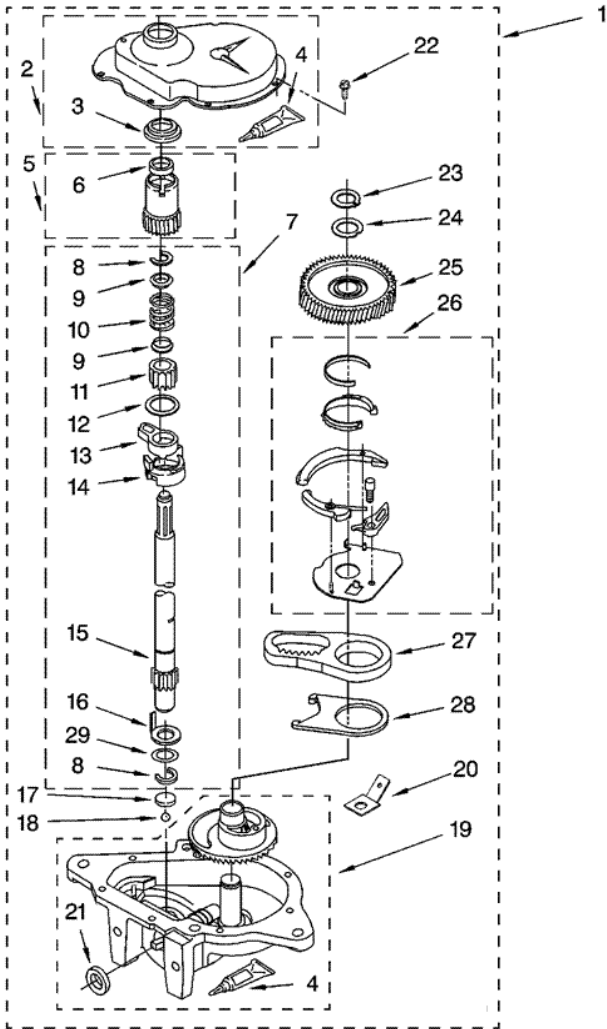




**7MWT96540SQ0 FLECHA HUECA**

1	285792	BRAKE AND DRIVE TUBE (COMPLETE)
2	62658	RING, THRUST
3	356427	SEAL, DRIVE TUBE
4	64208	TUBE, BASKET DRIVE (INCLUDES ILLUS. 3, 4, 5 & 9)
5	64035	RING, RETAINING <b>(S/P)</b>
6	285438	SHOE, BRAKE (2)
7	62703	``T`` BEARING, SPIN TUBE
8	285658	CAP, BRAKE SPRING (2) <b>(S/P)</b>
9	387806	SPRING, BRAKE
10	285658	SLEEVE, BRAKE SPRING <b>(S/P)</b>
11	661516	CAM, BRAKE RELEASE
12	63022	SLEEVE, CAM
13	285790	DRIVER, BRAKE CAM
14	285208	LUBRICANT <b>(S/P)</b>
14	90368	RING, RETAINING

**7MWT96540SQ0 TRANSMISION**





## 7MWT96540SQ0 TRANSMISION

1	3360629	GEARCASE (COMPLETE)
2	285202	COVER, GEARCASE (S/P)
3	3349985	SEAL, GEARCASE COVER
4	285195	SEALER, GASKET (.20 FL. OZ.) (6 ML)
5	285362	PINION, SPIN (INCLUDES ILLUS. 25)
6	356427	SEAL, SPIN PIÑÓN
7	389387	SHAFT, AGITATOR (COMPLETE)
8	90369	RING, RETAINING (2)
9	62677	RETAINER, SPRING (2)
10	62676	SPRING, AGITATE
11	285509	<b>DESCONTINUADO</b>
12	62619	WASHER, AGITATE GEAR (S/P)
13	62580	CAM FOLLOWER (INCLUDES 14) (S/P)
14	62581	CAM, AGITATE (INCLUDES 13) (S/P)
15	285509	<b>DESCONTINUADO</b>
16	62618	WASHER, CAM THRUST
17	285205	BEARING, THRUST (INCLUDES 18)
19	285515	BOTTOM AND PINION, GEARCASE (S/P)
20	3949116	BLOCK TAB, TERMINAL (S/P)
21	285352	SEAL, THRUST PLUG
22	3351614	SCREW, GEARCASE COVER MOUNTING (S/P)
23	285765	RING, RETAINING
24	285735	WASHER KIT, THRUST
25	285362	GEAR, SPIN
26	388253	NEUTRAL ASSEMBLY
27	3949609	RACK, CONNECTING
28	62621	ACTUATOR, SHIFT
29	388815	WASHER, INTERMEDIATE (S/P)