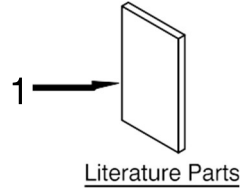
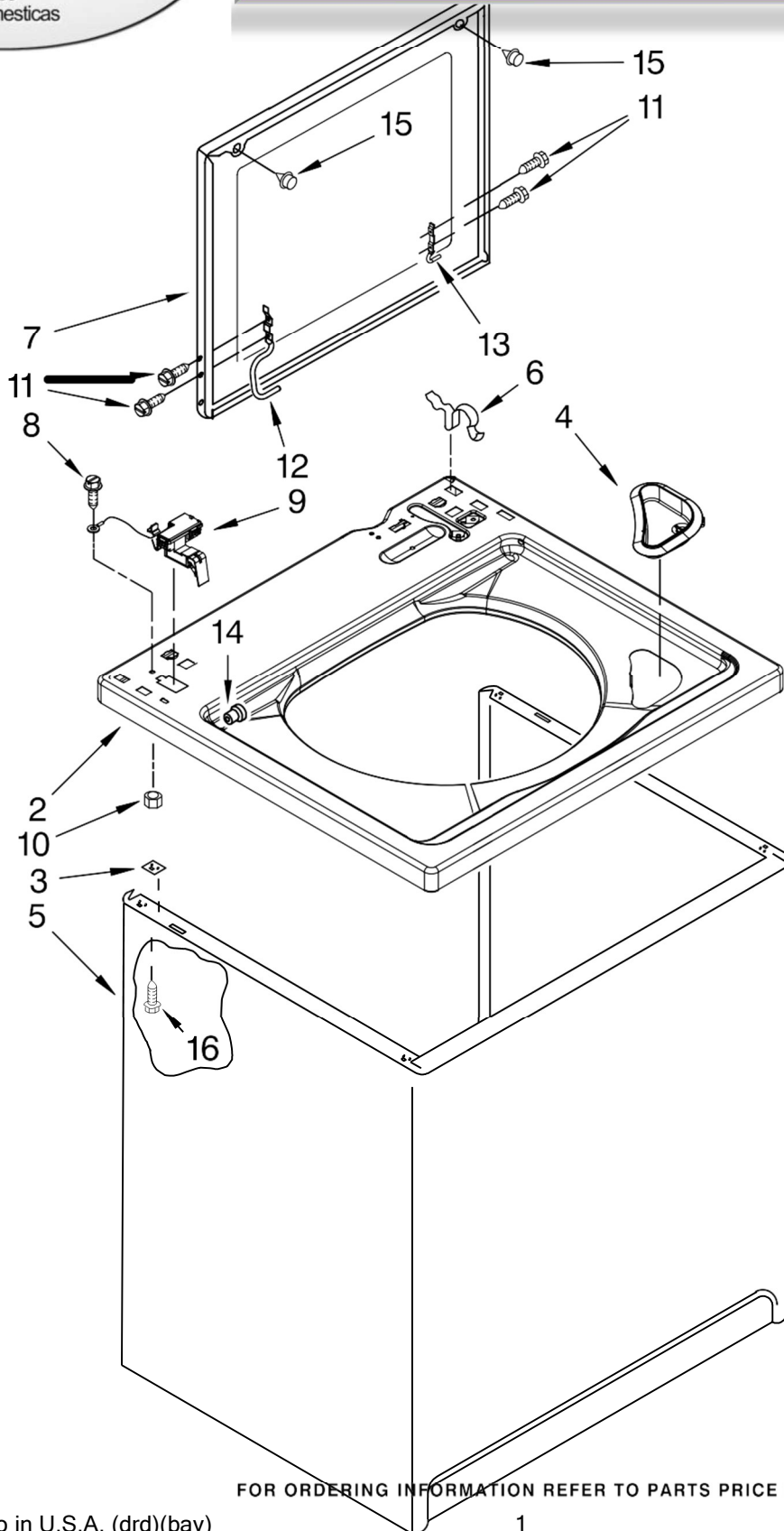


Distribuidor Autorizado

SurteRápido.com

Venta de Refacciones
Electrodomesticas

LAVADORA 7MWT96710WM0



FOR ORDERING INFORMATION REFER TO PARTS PRICE LIST



LAVADORA 7MWT96710WMO

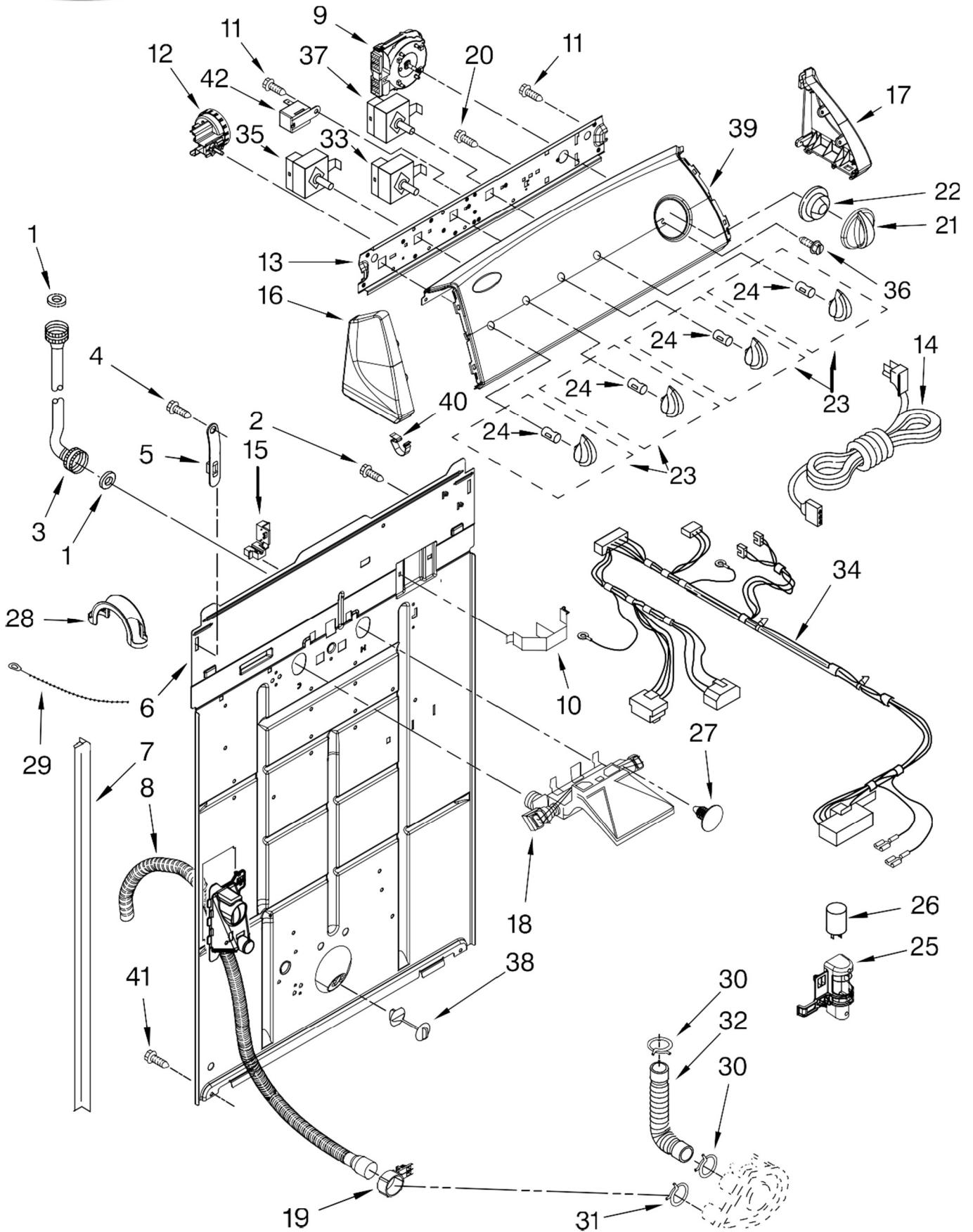
Illus. No.	Part No.	DESCRIPTION
1		Literature Parts
	W10155455	Installation Instructions
	W10245372	Feature Sheet
	W10245228	Energy Guide (Mexico)
	W10213638	Use & Care Guide
	W10224331	Wiring Diagram
2	W10194572	Top
3	62750	Spacer, Cabinet To Top (4)
4	W10192089	Dispenser, Bleach
5	63424	Cabinet
6	62780	Clip, Top & Cabinet & Rear Panel (2)
7	W10171313	Lid
8	3351614	Screw, Ground
9	8318084	Switch, Lid
10	8533959	Nut, Hex
11	W10119828	Screw, Lid Hinge Mounting (4)
12	W10225136	Hinge, Lid (L.H.)
13	91770	Hinge, Lid (R.H.)
14	8319539	Bearing, Lid Hinge (2)
15	9724509	Bumper, Lid (2)
16	W10165554	Screw, 10-16 x 1/2 (4)

Distribuidor Autorizado

SurteRápido.com

Venta de Refacciones
Electrodomesticas

LAVADORA 7MWT96710WM0



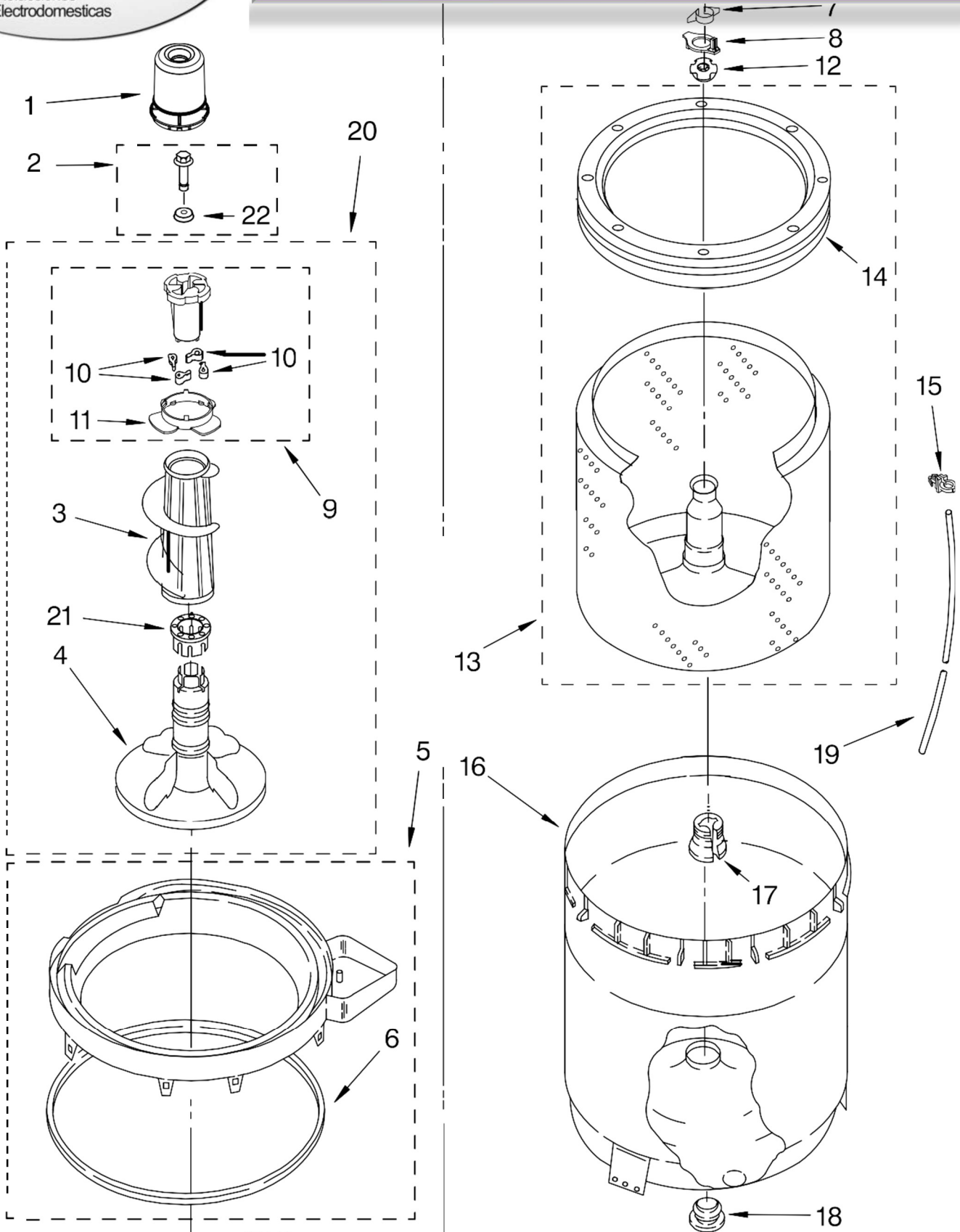
LAVADORA 7MWT96710WMO

Illus. No.	Part No.	DESCRIPTION
1	W10242307	Washer, Water Inlet Hose (4) (1-1/16 x 5/8)
2	3351614	Screw, Ground
3		Hose, Water Inlet (2)
	W10194210	Cold Water
	W10196191	Hot Water
4	9740848	Screw, 8-18 x 1/2
5	8568314	Strap, Console (2)
6	W10194450	Panel, Rear
7	62747	Pad, Rear Panel
8	W10189267	Drain Hose Assembly (Includes Item 19)
9	8577356	Timer, Control (60 Hz.) (Motor Not A Service Part)
10	8055003	Clip, Harness & Pressure Hose
11	90767	Screw, 8-18 x 3/8
12	8577844	Switch, Water Level
13	8566003	Bracket, Control

Illus. No.	Part No.	DESCRIPTION
14	W10115689	Cord, Power (Includes Item 15)
15	3952821	Strain Relief, Power Cord
16	8566035	Cap, End (L.H.) (Includes Item 40)
17	8566032	Cap, End (R.H.) (Includes Item 40)
18	W10140918	Valve, Water Inlet W/Vacuum Break
19	8541668	Clamp, Hose
20	3400073	Screw, Ground
21	8566022	Knob, Timer
22	8566018	Dial, Timer
23	8565944	Knob, Control
24	8536939	Clip, Knob
25	8318046	Clip, Capacitor
26	8572717	Capacitor, Motor Start
27	W10000080	Clip, Push-In Retainer
28	8577378	U-Bend, Drain Hose

Illus. No.	Part No.	DESCRIPTION
29	3347868	Cable Tie
30	3363366	Clamp, Hose
31	8317496	Clamp, Hose
32	3951449	Hose, Pump To Tub (Includes Item 30)
33	3949180	Switch, Rotary
34	W10224861	Harness, Wiring (For Detail See Pages 9 & 10)
35	661612	Switch, Water Temperature
36	3400818	Screw, Timer Mounting
37	3949187	Switch, Rotary
38	8519200	Support, Rear Panel
39	W10244039	Panel, Console
40	8312709	Clip, Console (2)
41	62863	Screw, 10-16 x 3/8
42	694419	Buzzer, Mini

LAVADORA 7MWT96710WM0



FOR ORDERING INFORMATION REFER TO PARTS PRICE LIST

Distribuidor Autorizado

SurteRápido.com

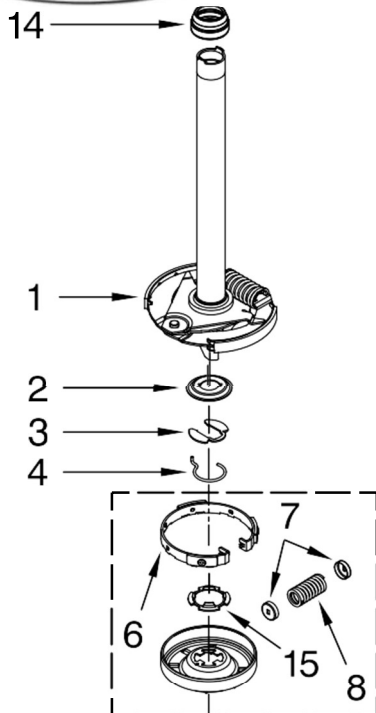
Venta de Refacciones
Electrodomesticas

LAVADORA 7MWT96710WMO

<u>Illus. No.</u>	<u>Part No.</u>	<u>DESCRIPTION</u>
1	8533252	Dispenser, Fabric Softener
2	358237	Screw & Washer (5/16-24 x 1)
3	389141	Auger, Agitator
4	389386	Agitator
5	8528150	Tub Ring & Gasket
6	3976308	Gasket, Tub Ring
7	3354845	Clip, Agitator
8	8543666	Washer, Agitator
9	3363662	Cam Driven
10	3366877	Dog, Agitator Clutch (4)
11	3363661	Bearing-Driven Cam
12	21366	Nut, Spanner
13	8526016	Basket & Balance Ring
14	387240	Balance Ring
15	2219077	Clip, Pressure Switch Hose
16	63849	Tub
17	389140	Block, Basket Drive
18	383727	Gasket, Centerpost
19	3347780	Hose, Pressure Switch
20	3347674	Agitator (Complete)
21	3350389	Spacer, Thrust
22	3949550	Washer

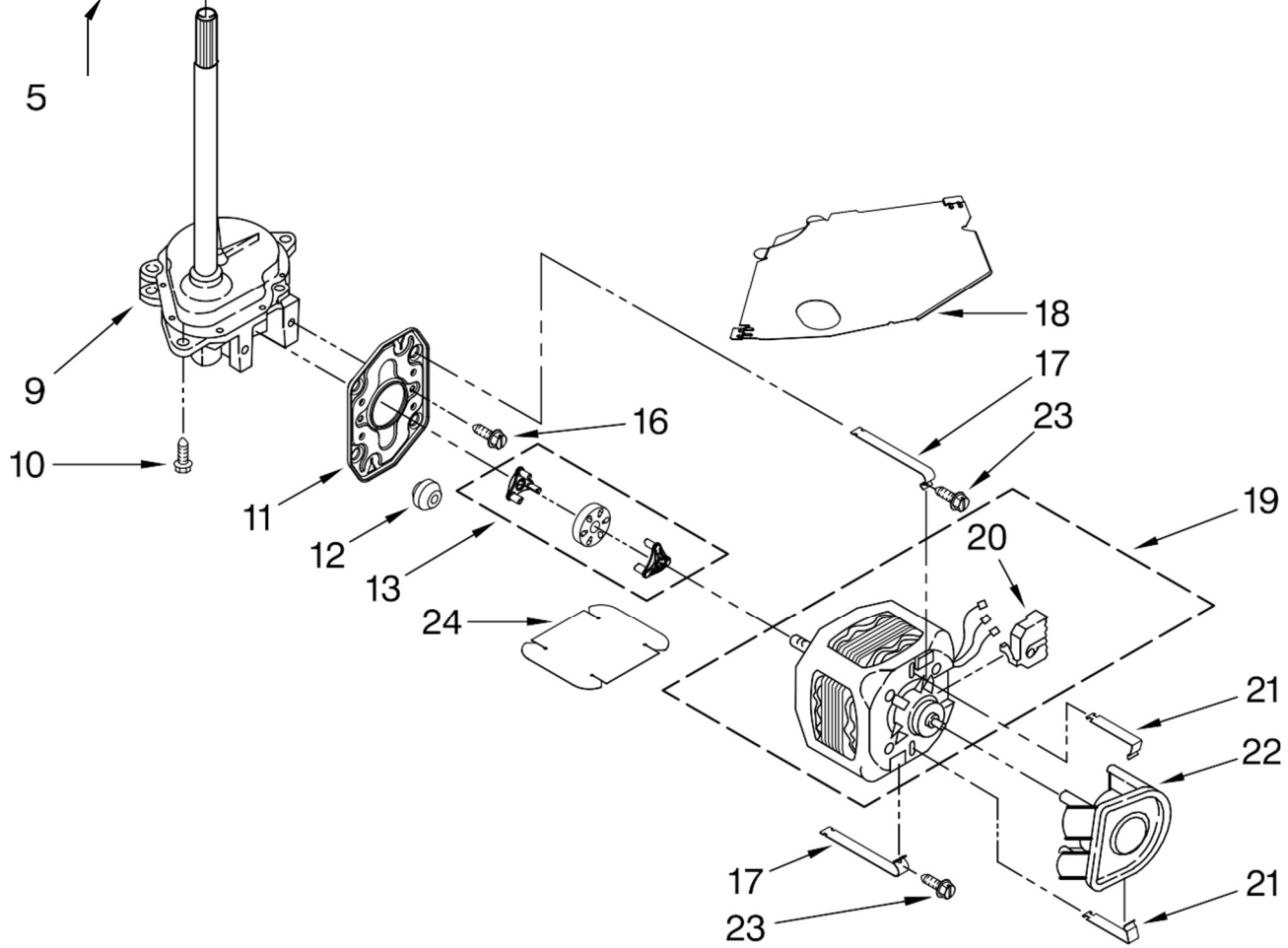
FOR ORDERING INFORMATION REFER TO PARTS PRICE LIST

LAVADORA 7MWT96710WM0



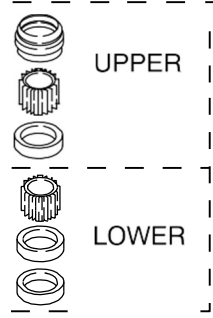
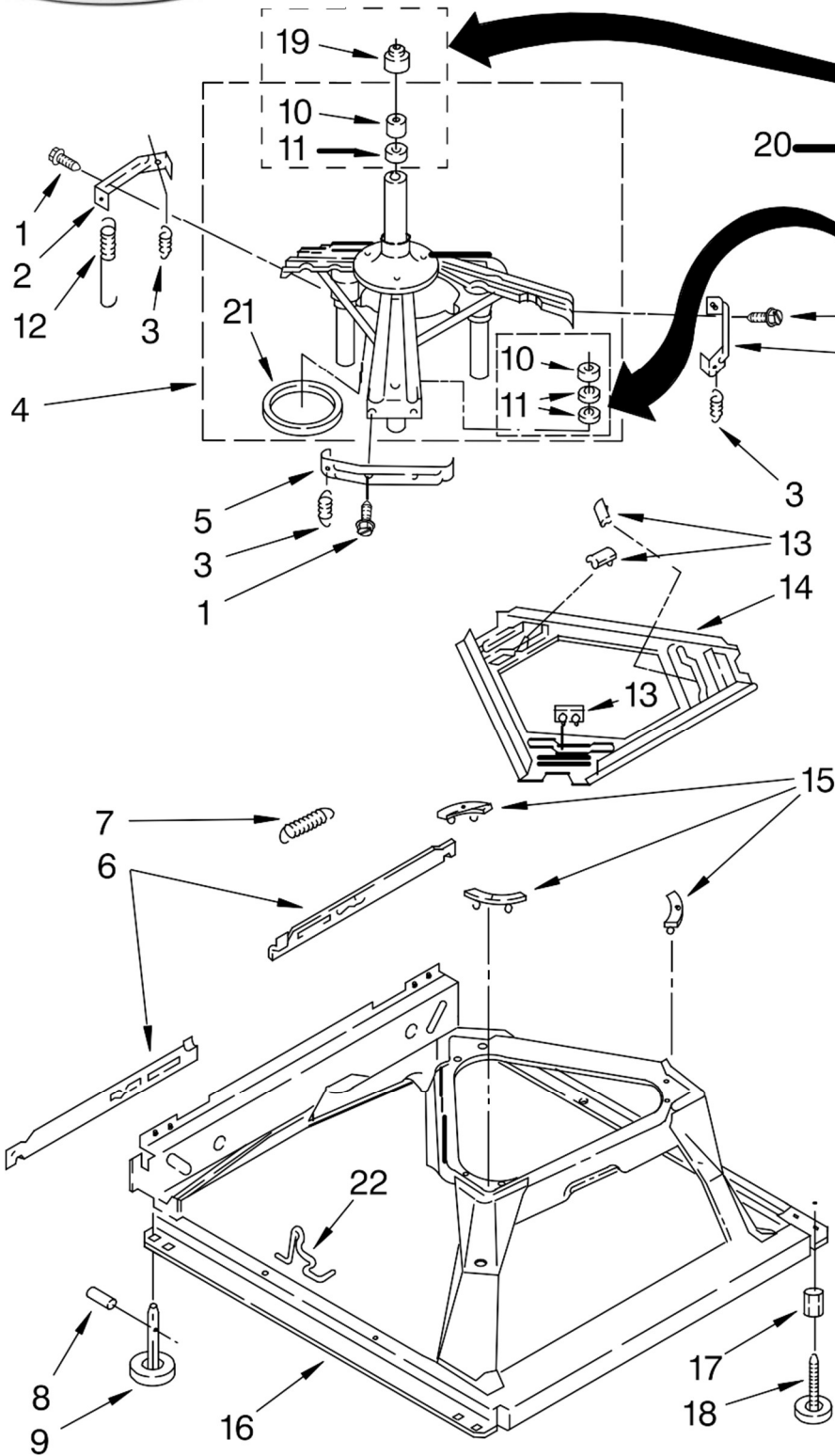
Illus. No.	Part No.	DESCRIPTION
1	388952	Brake & Drive Tube (Complete) (Refer to Page 11 For Further Breakdown)
2	63292	Washer Spin
3	63283	Ring, Retainer
4	3951311	Clutch (Complete)
5	3951308	Band & Lining, Clutch (Includes Illus. 7 & 8)
6	62646	Cap, Clutch Spring (2)
7	3946792	Spring, Clutch
8	8532118	Gearcase (Complete) (Refer To Page 12 For Further Breakdown)

Illus. No.	Part No.	DESCRIPTION
10	3357334	Screw, Gearcase To Base (3)
11	62611	Plate, Motor Mount To Gearcase
12	62691	Crank Plate, Motor (4)
13	8567904	Coupling, Motor
14	3355454	Clip, Anti-Rattle
15	3400516	Screw
16	W10086010	Retainer, Motor (2)
17	3362089	Shield, Tub
18	8528157	To Motor Drive
19	3952056	Switch, Main Drive Motor
20	8546127	Retainer, Pump (2)
21	3363394	Pump (Complete)
22	3387485	Screw, 10-16 x 5/8
23	3946532	Shield, Motor



FOR ORDERING INFORMATION REFER TO PARTS PRICE LIST

LAVADORA 7MWT96710WMO



2 Illus. No.	Part No.	DESCRIPTION
1	3400076	Screw, Bracket Mounting (10-32 x 5/8)
2	64067	Bracket, Spring Outer (2)
3	63907	Spring Suspension, (3)
4	8575214	Support & Brake, Tub
5	64065	Bracket, Spring Outer (L.F.)
6	63466	Link, Leveling Mechanism (2)
7	62597	Spring, Leveling Mechanism
8	62837	Pin, Knurled
9	62596	Foot, Rear (2)
10	8546455	Bearing, Centerpost (2)
11	357409	Seal, Centerpost (3)
12	388492	Spring, Counterweight
13	62568	Pad, Plate
14	3946509	Plate, Suspension (Includes Item 13)
15	3363660	Pad, Base
16	3946512	Base Assembly (Includes Items 6, 7, 8, 9, 13, 14, 15 & 22)
17	3359452	Nut, Lock (2) (3/8-16)
18	W10001130	Foot, Front (2)
19	8577376	Seal, Centerpost
20	285203	Centerpost Bearing Kit (Includes Items 10, 11 & 19)
21	63134	Ring, Sound Deadening
22	W10145155	Retainer, Suspension Spring

FOR ORDERING INFORMATION REFER TO PARTS PRICE LIST

LAVADORA 7MWT96710WMO

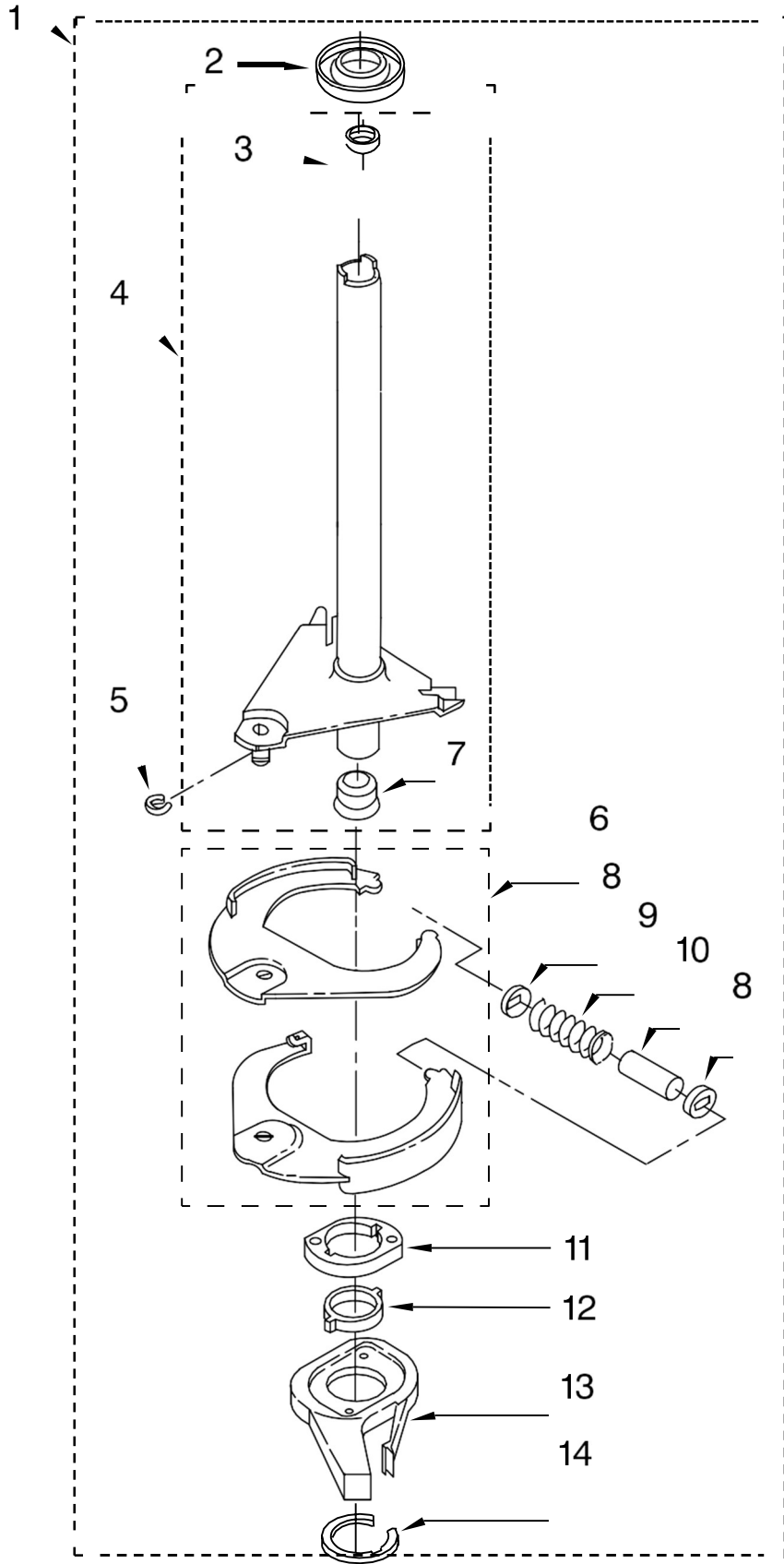
Illus. No.	Part No.	DESCRIPTION	Illus. No.	Part No.	DESCRIPTION	Illus. No.	Part No.	DESCRIPTION
1	3349557	Retainer, Harness	9	62889	Receptacle, Terminal (3-Way)	16	3390423	Block, Disconnect (12-Way)
2	388498	Clip, Harness				17	3347730	Receptacle (6-Way)
3	3347812	Clip, Harness	10	353424	Plug, Terminal (3-Way)	18	3948617	Connector (T.P.A.) (3-Circuit)
4	3352501	Clip, Harness (Push-In)	11	62505	Block, Disconnect (Motor 2 Speed)	19	3360056	Plug (T.P.A.) (3-Circuit)
5	90016	Clip, Harness (Half-Harness)	12	3347243	Block, Disconnect			(Pressure Switch)
6	3390496	Clip, Harness	13	63523	Protector	20		Block, Connector
7	389379	Retainer, Harness	14	717252	Connector (2-Way)		3354925	Natural
8		Timer, Block Disconnect	15	3352944	Clip, Harness		3354926	Red
	3948614	Natural						
	352089	Black						

**FOR COMPLETE WIRING HARNESS REFER TO
CONTROL AND REAR PANEL PARTS PAGE**

WH2J

FOR ORDERING INFORMATION REFER TO PARTS PRICE LIST

LAVADORA 7MWT96710WMO



Illus. No.	Part No.	DESCRIPTION
------------	----------	-------------

1	388952	Brake And Drive Tube (Complete)
2	62658	Ring, Thrust
3	356427	Seal, Drive Tube
4	64027	Tube, Basket Drive (Includes Illus. 3, 4, 5 & 9)
5	64035	Ring, Retaining
6	64232	Shoe, Brake (2)
7	62703	"T" Bearing, Spin Tube
8	3353956	Cap, Brake Spring (2)
9	387806	Spring, Brake
10	3355360	Sleeve, Brake Spring
11	661516	Cam, Brake Release
12	63022	Sleeve, Cam
13	64194	Driver, Brake Cam
14	90368	Ring, Retaining

FOLLOWING PARTS NOT ILLUSTRATED

285208 Lubricant (Use Only In Brake Shoe Assembly On Roller & Pin)

FOR ORDERING INFORMATION REFER TO PARTS PRICE LIST

OPTIONAL PARTS (NOT INCLUDED)

For Model: 7MWT96710WMO
(White)

Illus. Part	
No. No.	DESCRIPTION

PAINT, TOUCH-UP (1/2oz.)

72017 White

PAINT, PRESSURIZED SPRAY (12 oz.)

350938 Primer, Gray
350930 White

PAINT, BULK (1 qt.)

799344 White (Uncut)

OIL

350572 Oil, Gearcase
(16 Oz.)

LUBRICANT

285208 Lubricant (Use
Only in Brake
Shoe Assembly
On Roller and
Pin)

SEALER

285195 Sealer, Gasket
(.20 Fl. Oz.) (6 ml)

ACCESSORY PARTS

367031 Drain Protector
280129 Siphon Break Kit
280130 Drain Hose
Adapter Kit
280131 Drain Hose
Extension Kit

FOR ORDERING INFORMATION REFER TO PARTS PRICE LIST