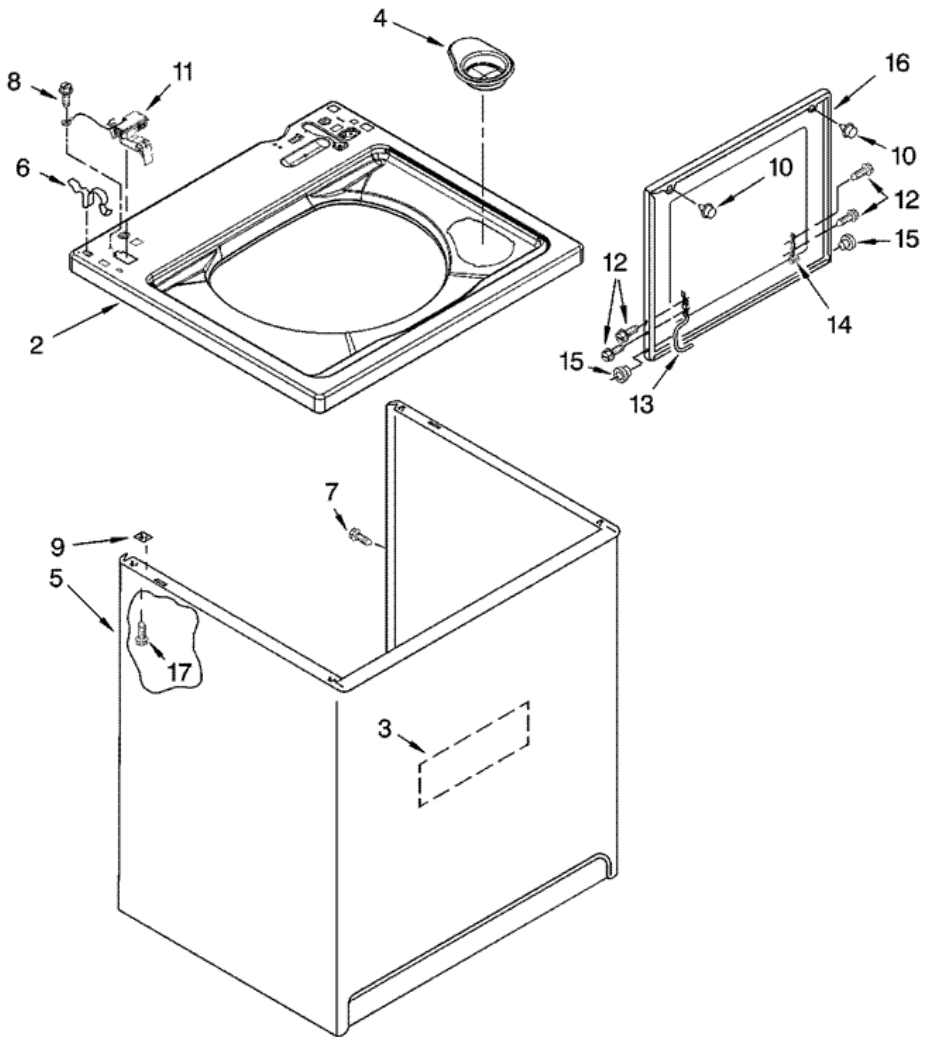


7MWT96740SM0 GABINETE





7MWT96740SM0 GABINETE

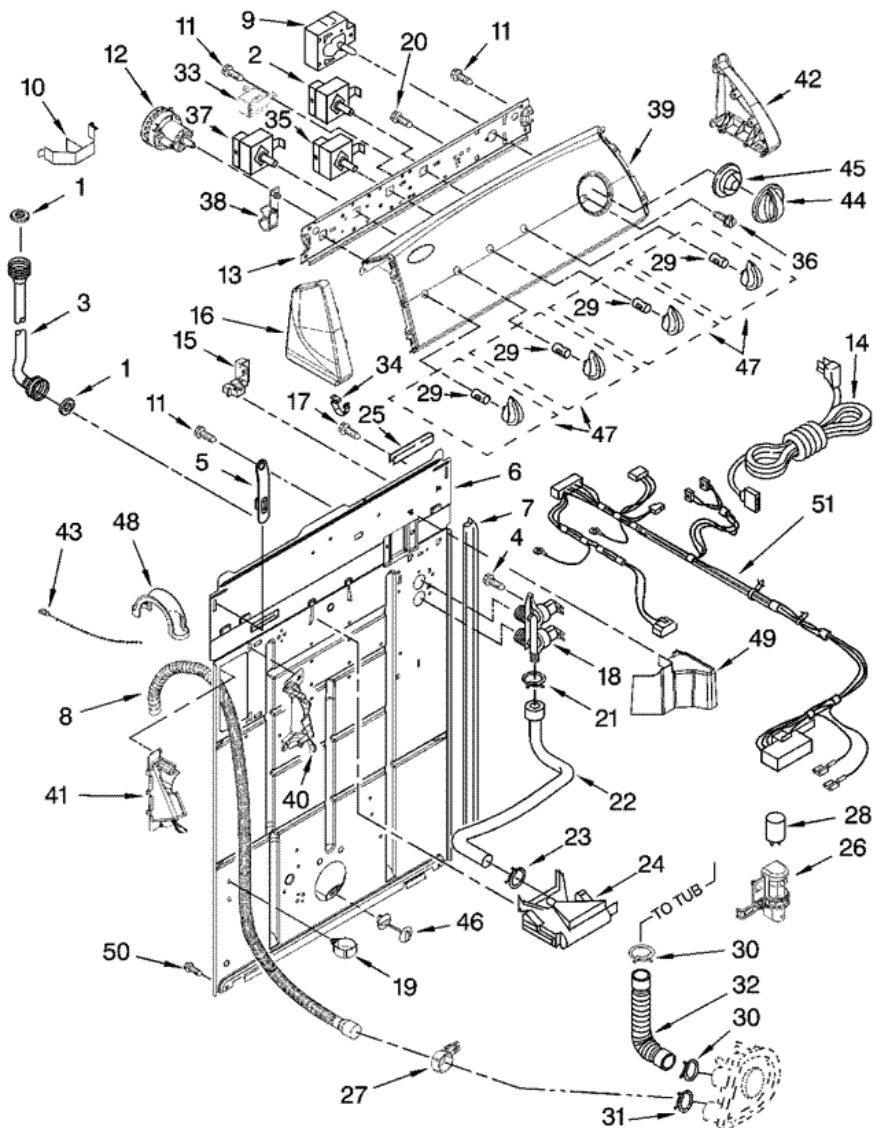
2	8580044	TOP (BISCUIT) (S/P)
2	8566017	TOP (WHITE) (S/P)
3	3976348	CABINET- SOUND DAMPER (S/P)
4	8566266	DISPENSER, BLEACH (S/P)
5	3954357	CABINET (BISCUIT) (S/P)
5	63424	CABINET (WHITE) (S/P)
6	62780	CLIP, TOP & CABINET & REAR PANEL (2)
7	3357011	SCREW, 10-16 X 1/2 (S/P)
8	3351614	SCREW, GROUND (S/P)
9	62750	SPACER, CABINET TO TOP (4) (S/P)
10	93770	BUMPER, LID (2)
11	8318084	SWITCH, LID
12	355274	SCREW, LID HINGE MOUNTING (4) (S/P)
13	8559336	HINGE, LID (L.H.) (S/P)
14	91770	HINGE, LID (R.H.) (S/P)
15	8319539	BEARING, LID HINGE (2) (S/P)
16	W10193862	LID (BISCUIT) (S/P)
16	8541777	LID (WHITE) (S/P)
17	3390631	SCREW, 10-16 X 3/8 (4) (S/P)

Distribuidor Autorizado

SurteRápido.com

Venta de Refacciones
Electrodomesticas

7MWT96740SM0 TABLERO



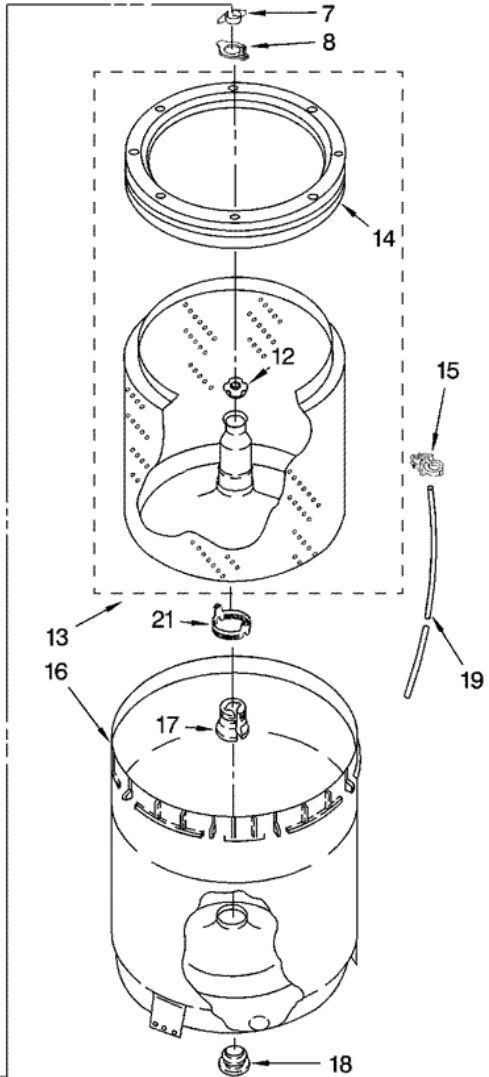
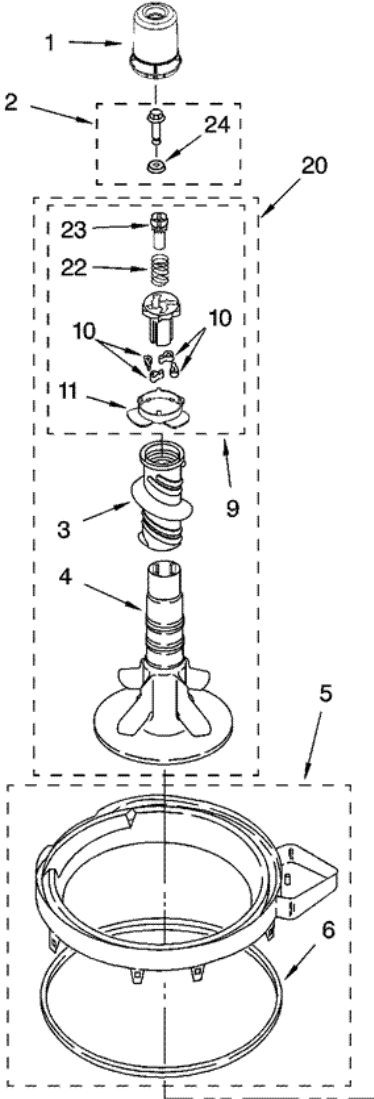


7MWT96740SM0 TABLERO

1	16123	WASHER, WATER INLET HOSE (4) (S/P)
2	W10168262	SWITCH, ROTARY (S/P)
3	89503	HOSE, WATER INLET (2) (BLUE COUPLER)
4	9740848	SCREW, 8-18 X 1/2 (S/P)
5	8568314	STRAP, CONSOLE (2) (S/P)
6	8318015	PANEL, REAR (S/P)
7	62747	PAD, REAR PANEL (S/P)
8	280162	HOSE, DRAIN ASSEMBLY
9	3951702	TIMER, CONTROL (60 HZ.)
10	8055003	CLIP, HARNESS & PRESSURE HOSE (S/P)
11	90767	SCREW, 8-18 X 3/8 (S/P)
12	3366845	SWITCH, WATER LEVEL
13	8566003	BRACKET, CONTROL (S/P)
14	8559419	CORD, POWER (INCLUDES ITEM 15)
15	285777	STRAIN RELIEF, POWER CORD (S/P)
16	8565957	CAP, END (L.H.) (INCLUDES ITEM 34) (S/P)
16	8565958	CAP, END (L.H.) (INCLUDES ITEM 34) (S/P)
17	3400073	SCREW, GROUND (S/P)
18	285805	VALVE, WATER MIXING
19	8541667	CLAMP, HOSE (S/P)
20	3400073	SCREW, GROUND (S/P)
21	596669	CLAMP, HOSE (S/P)
22	3357328	HOSE, VACUUM BREAK
23	596669	CLAMP, HOSE (S/P)
24	3360977	BREAK, VACUUM
25	3367669	EDGE PROTECTOR (S/P)
26	8318046	CLIP, CAPACITOR (S/P)
27	8541668	CLAMP, LEG (S/P)
28	8572717	CAPACITOR, MOTOR START (S/P)
29	8536939	CLIP, KNOB (S/P)
30	616099	CLAMP, HOSE (S/P)
31	285655	CLAMP, HOSE (S/P)
32	285871	HOSE, PUMP TO TUB (INCLUDES ITEM 30)

33	694419	BUZZER, MINI (S/P)
34	8312709	CLIP, CONSOLE
35	3949180	SWITCH, ROTARY (S/P)
36	3400818	SCREW, TIMER MOUNTING (S/P)
37	3950347	SWITCH, WATER TEMPERATURE (S/P)
38	8317975	RETAINER, HARNESS (S/P)
39	8543019	PANEL, CONSOLE (WHITE) (S/P)
39	8543020	PANEL, CONSOLE (BISCUIT) (S/P)
40	8541669	BUCKET, DRAIN HOSE (LEFT HALF) (S/P)
41	8541658	BUCKET, DRAIN HOSE (RIGHT HALF) (S/P)
42	8565954	CAP, END (R.H.) (INCLUDES ITEM 34) (WHITE) (S/P)
42	8565955	CAP, END (R.H.) (INCLUDES ITEM 34) (BISCUIT) (S/P)
43	3347868	CABLE TIE (S/P)
44	8566022	KNOB, TIMER (WHITE)
44	8566025	KNOB, TIMER (BISCUIT) (S/P)
45	8566018	DIAL, TIMER
46	8519200	SUPPORT, REAR PANEL
47	8565944	KNOB, CONTROL (WHITE) (S/P)
47	8565947	KNOB, CONTROL (BISCUIT) (S/P)
48	8577378	U-BEND, DRAIN HOSE (S/P)
49	8314879	SHIELD, INLET VALVE (S/P)
50	62863	SCREW, 10-16 X 3/8 (S/P)
51	3957374	HARNESS, WIRING (S/P)

7MWT96740SM0 TINAS

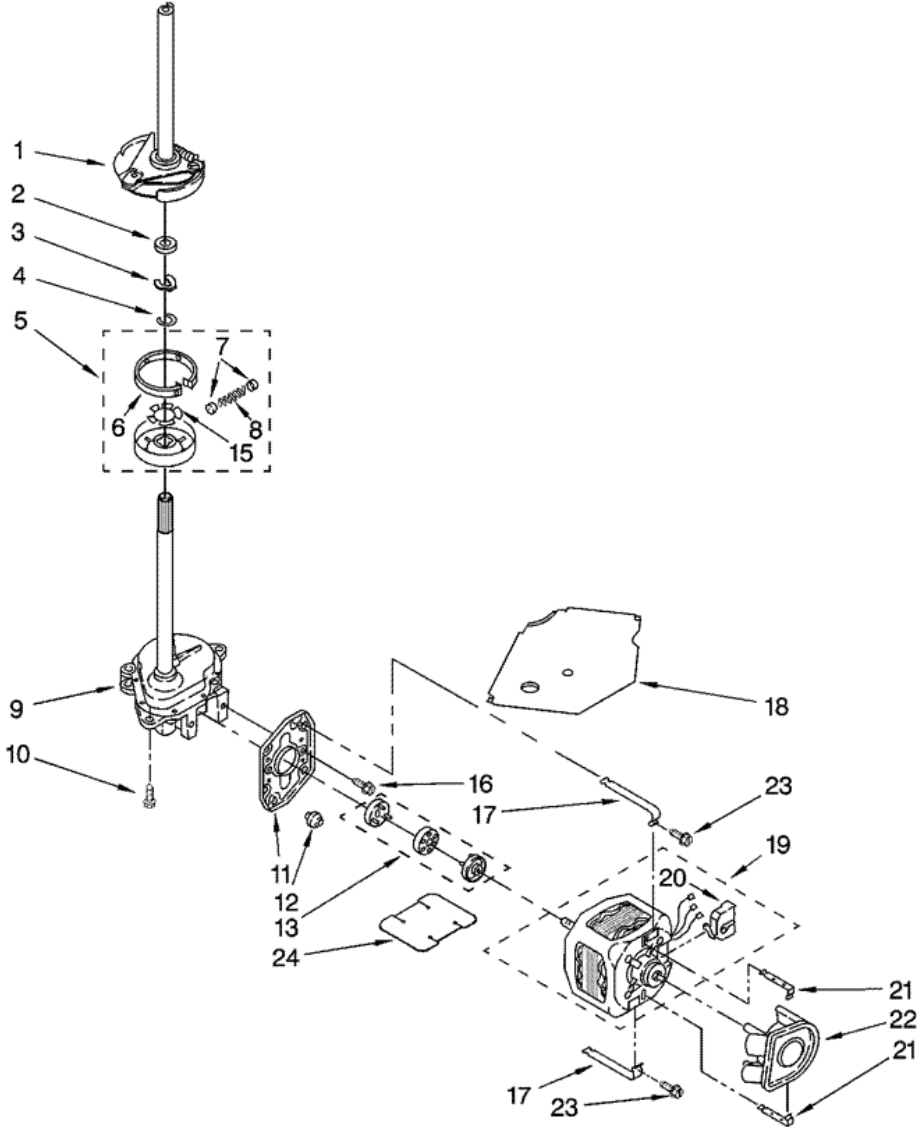




7MWT96740SMO TINAS

1	8528278	DISPENSER
2	358237	SCREW & WASHER (5/16-24 X 1)
3	3946996	AUGER, AGITATOR (S/P)
4	3947517	AGITATOR (S/P)
5	8528150	TUB RING & GASKET (S/P)
6	3976308	GASKET, TUB RING
7	3354845	CLIP, AGITATOR (S/P)
8	8543666	WASHER-AGITATOR (S/P)
9	8537433	CAM, DRIVEN (S/P)
10	285770	DOG, AGITATOR CLUTCH (4)
11	8055141	BEARING-DRIVEN CAM (S/P)
12	21366	NUT, SPANNER
13	8526016	BASKET & BALANCE RING (S/P)
14	387240	BALANCE RING
15	2219077	CLIP, PRESSURE SWITCH HOSE (S/P)
16	63849	TUB (S/P)
17	389140	BLOCK, BASKET DRIVE
18	383727	GASKET, CENTERPOST
19	353244	HOSE, PRESSURE SWITCH
20	8538246	AGITATOR (COMPLETE) (S/P)
21	8577198	FILTER, LINT (S/P)
22	3946997	SPRING, COMPRESSION (S/P)
23	8533540	RETAINER, SPRING (S/P)
24	3949550	WASHER (S/P)

7MWT96740SM0 MOTOR





7MWT96740SM0 MOTOR

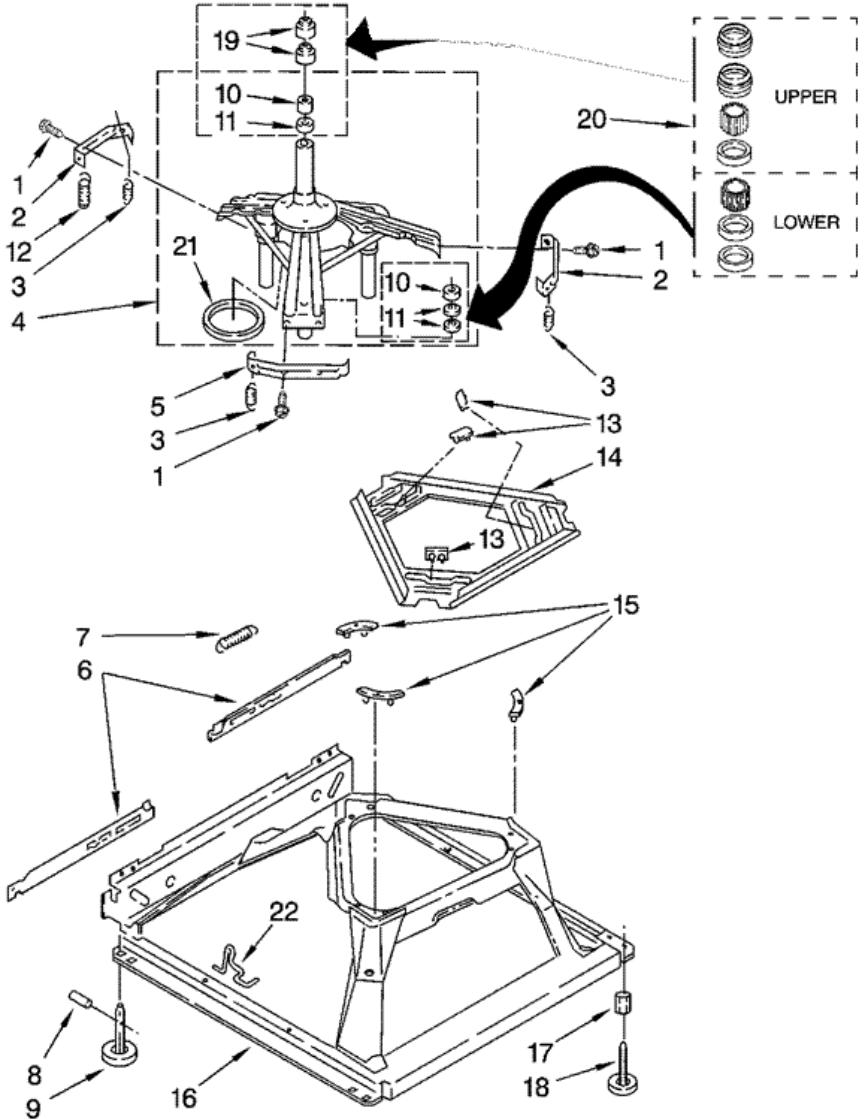
1	285792	BRAKE & DRIVE TUBE (COMPLETE)
2	63292	WASHER, SPIN TUBE THRUST
3	62697	RING, SPIN TUBE SUPPORT
4	285353	RING, RETAINER
5	285785	CLUTCH (COMPLETE)
6	285790	BAND & LINING, CLUTCH (INCLUDES ITEMS 7 & 8)
7	62646	CAP, CLUTCH SPRING (2) (S/P)
8	3946792	SPRING, CLUTCH (S/P)
9	3360629	GEARCASE (COMPLETE)
10	3357334	SCREW, GEARCASE TO BASE (3) (S/P)
11	62611	PLATE, MOTOR MOUNT TO GEARCASE (S/P)
12	62691	GROMMET, MOTOR (4)
13	285753	COUPLING, MOTOR & ISOLATION
15	3355454	CLIP, ANTI-RATTLE (S/P)
16	3400516	SCREW (S/P)
17	3349637	RETAINER, MOTOR (2)
18	3362089	SHIELD, TUB TO MOTOR (S/P)
19	389248	MOTOR, MAIN DRIVE
20	3952056	SWITCH, MAIN DRIVE MOTOR (S/P)
21	62700	RETAINER, PUMP (2)
22	3363394	PUMP (COMPLETE)
23	3387485	SCREW, 10-16 X 5/8 (S/P)
24	8316060	SHIELD, MOTOR (S/P)

Distribuidor Autorizado

SurteRápido.com

Venta de Refacciones
Electrodomesticas

7MWT96740SM0 BASE

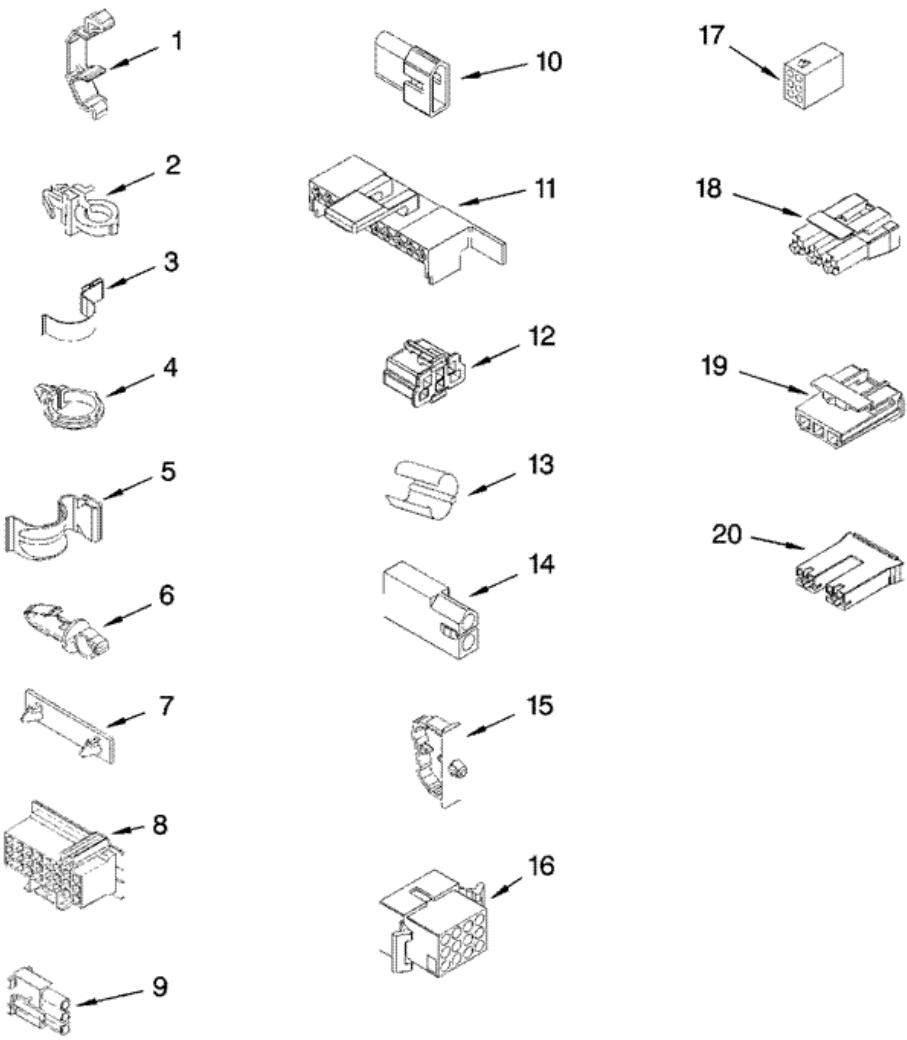




7MWT96740SM0 BASE

1	3400076	SCREW, BRACKET MOUNTING (10-32 X 5/8) (S/P)
2	64067	BRACKET, SPRING OUTER (2)
3	63907	SPRING SUSPENSION,(3)
4	63740	SUPPORT & BRAKE, TUB
5	64065	BRACKET, SPRING OUTER (L.F.)
6	63466	LINK, LEVELING MECHANISM (2) (S/P)
7	8316845	SPRING, LEVELING MECHANISM
8	62837	PIN, KNURLED (S/P)
9	285244	FOOT, REAR (2)
10	8546455	BEARING, CENTERPOST (2) (S/P)
11	359449	SEAL, CENTERPOST (3)
12	388492	SPRING, COUNTERWEIGHT
13	285219	PAD, PLATE
14	3946509	PLATE, SUSPENSION (INCLUDES ITEM 13) (S/P)
15	285744	PAD, BASE
16	285771	BASE ASSEMBLY
17	3359452	NUT, LOCK (2) (3/8-16) (S/P)
18	389102	FOOT, FRONT (2)
19	91938	SEAL, CENTERPOST (2)
20	285203	CENTERPOST BEARING KIT
21	63134	RING, SOUND DEADENING
22	63806	RETAINER, SUSPENSION SPRING

7MWT96740SM0 HARNES

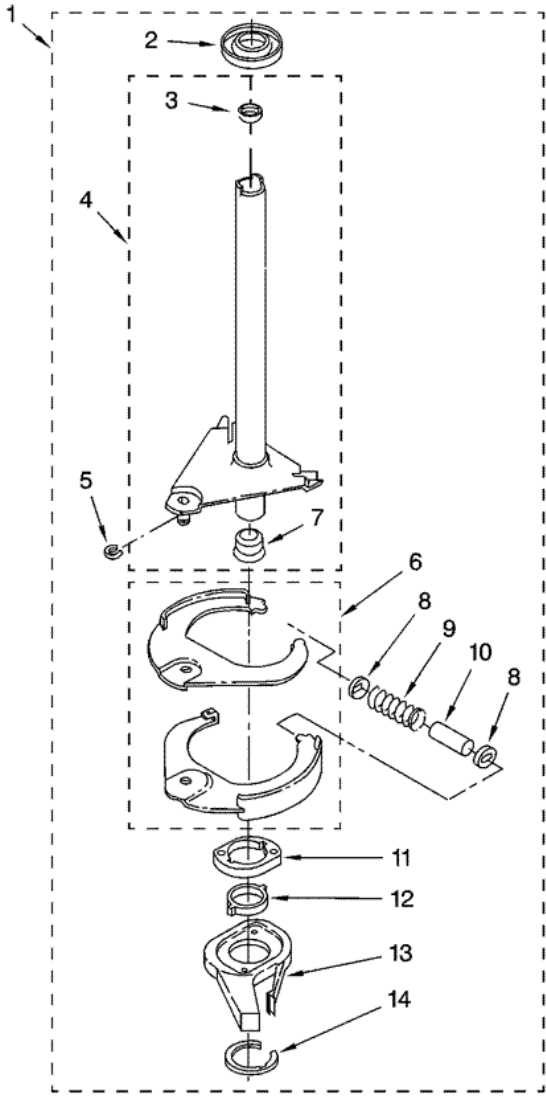




7MWT96740SM0 HARNES

1	3349557	RETAINER, HARNESS (S/P)
2	388498	CLIP, HARNESS DESCONTINUADO
3	8528351	CLIP, HARNESS (S/P)
4	3348535	CLIP, HARNESS (PUSH-IN) (S/P)
5	90016	CLIP, HARNESS (HALF-HARNESS) (S/P)
6	8281256	CLIP, HARNESS (S/P)
7	389379	RETAINER, HARNESS (S/P)
8	352089	TIMER, BLOCK DISCONNECT (BLACK) (S/P)
8	3948614	TIMER, BLOCK DISCONNECT (NATURAL) (S/P)
9	62889	RECEPTACLE, TERMINAL (3-WAY) (S/P)
10	353424	PLUG, TERMINAL (3-WAY) (S/P)
11	62505	BLOCK, DISCONNECT (MOTOR 2 SPEED) (S/P)
12	3347243	BLOCK, DISCONNECT (S/P)
13	63523	PROTECTOR (S/P)
14	717252	CONNECTOR (2-WAY) (S/P)
15	3352944	CLIP, HARNESS (S/P)
16	3390423	BLOCK, DISCONNECT (12-WAY) (S/P)
17	3347730	RECEPTACLE (6-WAY) DESCONTINUADO
18	3948617	CONNECTOR (T.P.A.) (3-CIRCUIT) (S/P)
19	3360056	PLUG (T.P.A) (3-CIRCUIT) (S/P)
20	3354925	BLOCK, CONNECTOR (NATURAL) (S/P)
20	3354926	BLOCK, CONNECTOR (RED) (S/P)

7MWT96740SM0 FLECHA HUECA





7MWT96740SM0 FLECHA HUECA

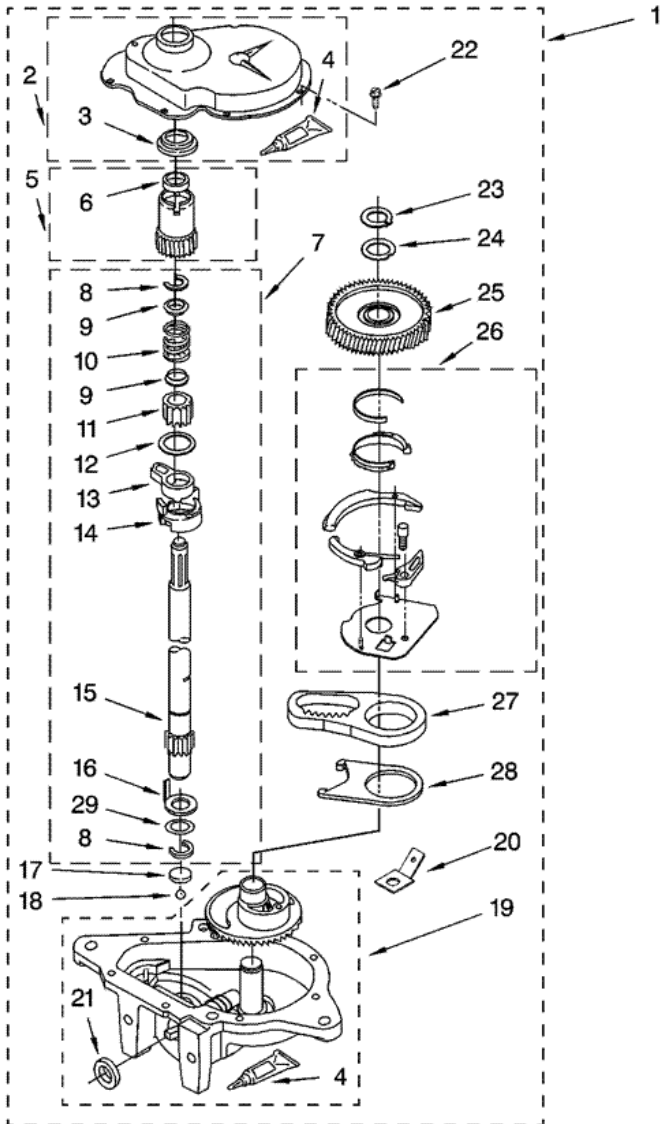
1	285792	BRAKE AND DRIVE TUBE (COMPLETE)
2	62658	RING, THRUST
3	356427	SEAL, DRIVE TUBE
4	64208	TUBE, BASKET DRIVE (INCLUDES ILLUS. 3, 4, 5 & 9)
5	64035	RING, RETAINING (S/P)
6	285438	SHOE, BRAKE (2)
7	62703	``T`` BEARING, SPIN TUBE
8	3353956	CAP, BRAKE SPRING (2) (S/P)
9	387806	SPRING, BRAKE
10	3355360	SLEEVE, BRAKE SPRING (S/P)
11	661516	CAM, BRAKE RELEASE
12	63022	SLEEVE, CAM DESCONTINUADO
13	285790	DRIVER, BRAKE CAM
14	285208	LUBRICANT (S/P)
14	90368	RING, RETAINING

Distribuidor Autorizado

SurteRápido.com

Venta de Refacciones
Electrodomesticas

7MWT96740SM0 TRANSMISION





7MWT96740SM0 TRANSMISION

1	3360629	GEARCASE (COMPLETE)
2	285202	COVER, GEARCASE (S/P)
3	3349985	SEAL, GEARCASE COVER
4	285195	SEALER, GASKET (.20 FL. OZ.) (6 ML) (S/P)
5	285362	PINION, SPIN (INCLUDES ILLUS. 25)
6	356427	SEAL, SPIN PINION
7	389387	SHAFT, AGITATOR (COMPLETE) (S/P)
8	90369	RING, RETAINING (2)
9	62677	RETAINER, SPRING (2)
10	62676	SPRING, AGITATE (S/P)
11	285509	GEAR, AGITATE DESCONTINUADO
12	62619	WASHER, AGITATE GEAR (S/P)
13	285206	CAM FOLLOWER (INCLUDES 14)
14	285206	CAM, AGITATE (INCLUDES 13)
15	285509	SHAFT, AGITATOR DESCONTINUADO
16	62618	WASHER, CAM THRUST
17	285205	BEARING, THRUST (INCLUDES 18)
18	285205	BALL, BEARING (INCLUDES 17)
19	285515	BOTTOM AND PINION, GEARCASE (S/P)
20	3949116	BLOCK TAB, TERMINAL (S/P)
21	285352	SEAL, THRUST PLUG
22	3351614	SCREW, GEARCASE COVER MOUNTING (8) (S/P)
23	285765	RING, RETAINING
24	285735	WASHER KIT, THRUST (S/P)
25	285362	GEAR, SPIN (S/P)
26	388253	NEUTRAL ASSEMBLY
27	3949699	RACK, CONNECTING
28	62621	ACTUATOR, SHIFT
29	388815	WASHER, INTERMEDIATE (S/P)