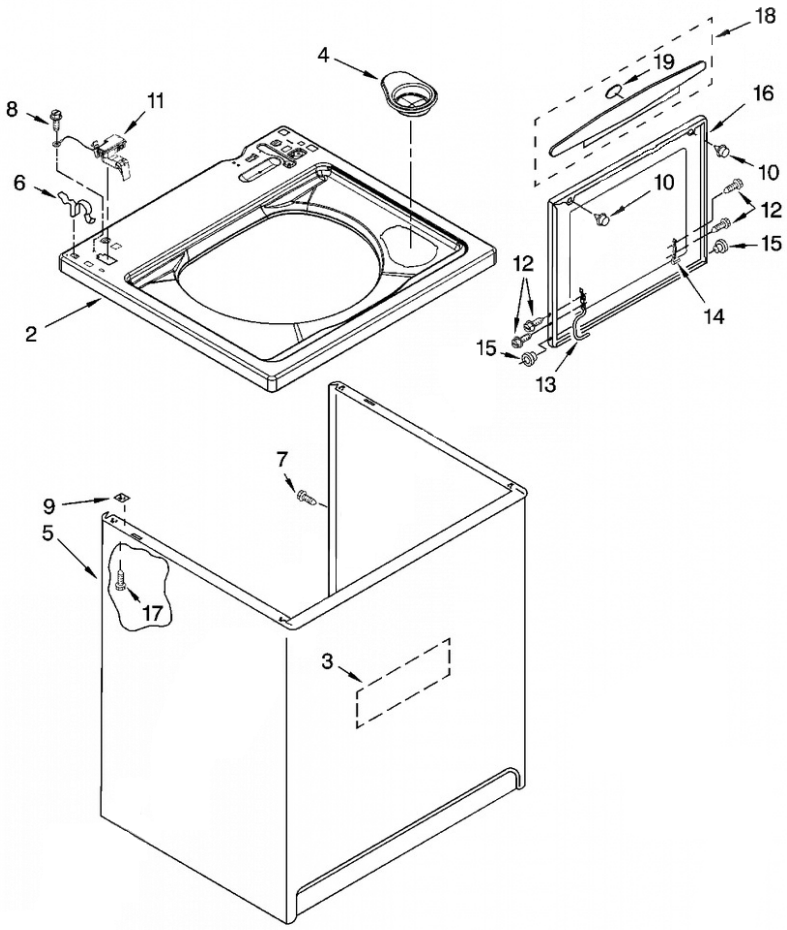


**7MWT96760SG0 GABINETE**





## 7MWT96760SG0 GABINETE

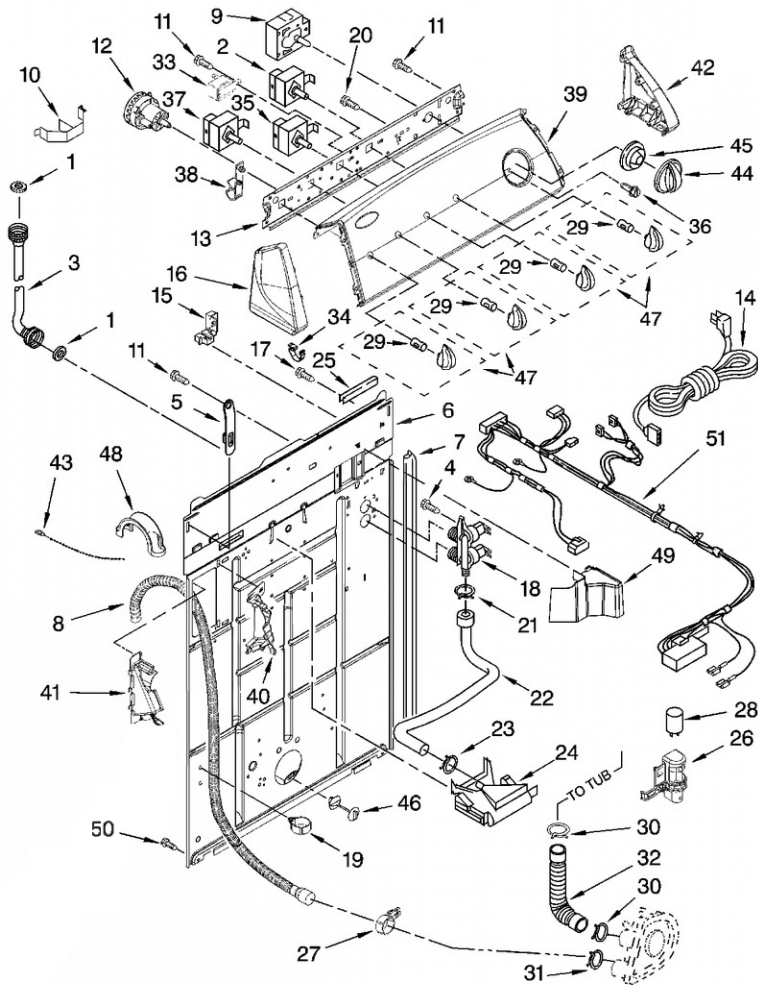
2	8580044	TOP (BISCUIT) (S/P)
2	8566017	TOP (WHITE) (S/P)
3	3976348	CABINET- SOUND DAMPER (S/P)
4	8566266	DISPENSER, BLEACH (S/P)
5	3954357	CABINET (BISCUIT) (S/P)
5	63424	CABINET (WHITE) (S/P)
6	62780	CLIP, TOP & CABINET & REAR PANEL (2)
7	3357011	SCREW, 10-16 X 1/2 (S/P)
8	3351614	SCREW, GROUND (S/P)
9	62750	SPACER, CABINET TO TOP (4) (S/P)
10	93770	BUMPER, LID (2)
11	8318084	SWITCH, LID
12	355274	SCREW, LID HINGE MOUNTING (4) (S/P)
13	8559336	HINGE, LID (L.H.) (S/P)
14	91770	HINGE, LID (R.H.) (S/P)
15	8319539	BEARING, LID HINGE (2) (S/P)
16	W10193862	LID (BISCUIT) (S/P)
16	8541777	LID (WHITE) (S/P)
17	3390631	SCREW, 10-16 X 3/8 (4) (S/P)
18	3956011	HANDLE, LID (SAGE) (S/P)
18	3956012	HANDLE, LID (PEWTER) (S/P)
19	3956010	INSERT, HANDLE (S/P)

Distribuidor Autorizado

**SurteRápido.com**

Venta de Refacciones  
Electrodomesticas

## 7MWT96760SG0 TABLERO



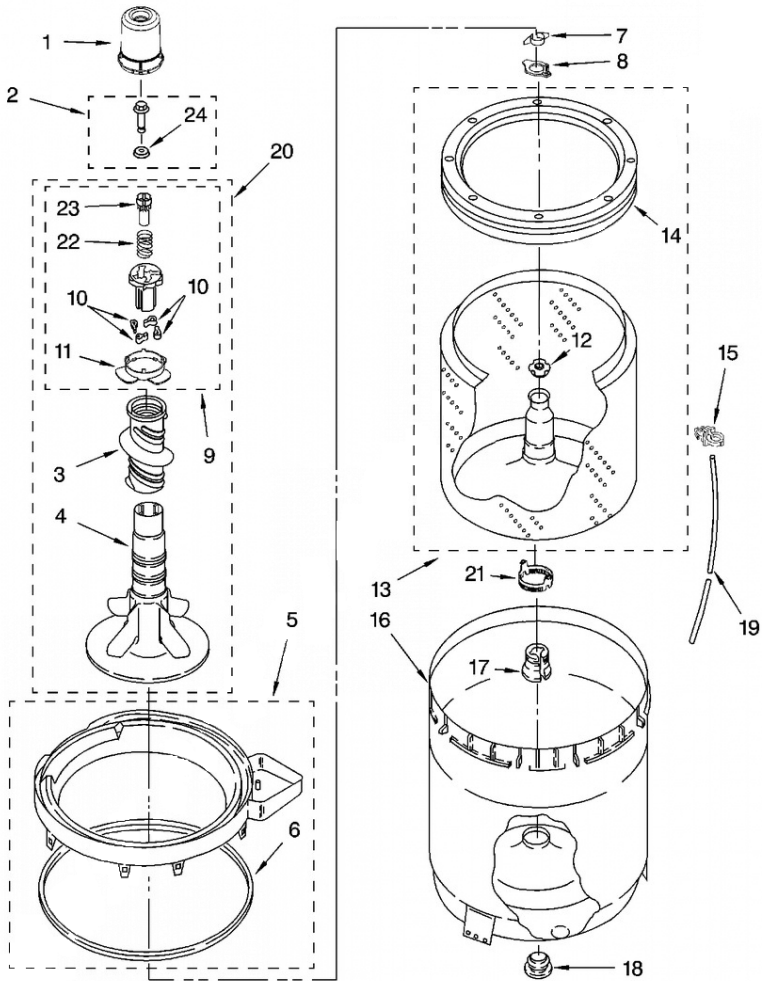


## 7MWT96760SG0 TABLERO

1	16123	WASHER, WATER INLET HOSE (4) (1-1/16 X 5/8) (S/P)
2	W10168262	SWITCH, ROTARY (S/P)
3	89503	HOSE, WATER INLET (2) (BLUE COUPLER)
3	8571378	HOSE, WATER INLET (2) (RED COUPLER) (S/P)
4	9740848	SCREW, 8-18 X 1/2 (S/P)
5	8568314	STRAP, CONSOLE (2) (S/P)
6	8318015	PANEL, REAR (S/P)
7	62747	PAD, REAR PANEL (S/P)
8	280162	HOSE, DRAIN ASSEMBLY (INCLUDES ITEMS 19 & 27)
9	3951702	TIMER, CONTROL (60 HZ.)
10	8055003	CLIP, HARNESS & PRESSURE HOSE (S/P)
11	90767	SCREW, 8-18 X 3/8 (S/P)
12	3366845	SWITCH, WATER LEVEL
13	8566003	BRACKET, CONTROL (S/P)
14	8559419	CORD, POWER (INCLUDES ITEM 15)
15	285777	STRAIN RELIEF, POWER CORD (S/P)
16	8565957	CAP, END (L.H.) (INCLUDES ITEM 34) (WHITE) (S/P)
16	8565958	CAP, END (L.H.) (INCLUDES ITEM 34) (BISCUIT) (S/P)
17	3351614	SCREW, GROUND (S/P)
18	285805	VALVE, WATER MIXING
19	8541667	CLAMP, HOSE (S/P)
20	3400073	SCREW, GROUND (S/P)
21	596669	CLAMP, HOSE (S/P)
22	3357328	HOSE, VACUUM BREAK
23	596669	CLAMP, HOSE (S/P)
24	3360977	BREAK, VACUUM
25	3367669	EDGE PROTECTOR (S/P)
26	8318046	CLIP, CAPACITOR (S/P)
27	8541668	CLAMP, LEG (S/P)
28	8572717	CAPACITOR, MOTOR START (S/P)
29	8536939	CLIP, KNOB (S/P)
30	616099	CLAMP, HOSE (S/P)
31	285655	CLAMP, HOSE (S/P)

32	285871	HOSE, PUMP TO TUB (INCLUDES ITEM 30)
33	694419	BUZZER, MINI (S/P)
34	8312709	CLIP, CONSOLE
35	W1016257	SWITCH, ROTARY (S/P)
36	3400818	SCREW, TIMER MOUNTING (S/P)
37	3950347	SWITCH, WATER TEMPERATURE (S/P)
38	8317975	RETAINER, HARNESS (S/P)
39	8543021	PANEL, CONSOLE (SILVER) (S/P)
39	8543022	PANEL, CONSOLE (GOLD) (S/P)
40	8541669	BUCKET, DRAIN HOSE (LEFT HALF) (S/P)
41	8541658	BUCKET, DRAIN HOSE (RIGHT HALF) (S/P)
42	8565954	CAP, END (R.H.) (INCLUDES ITEM 34) (WHITE) (S/P)
42	8565955	CAP, END (R.H.) (INCLUDES ITEM 34) (BISCUIT) (S/P)
43	3347868	CABLE TIE (S/P)
44	8566022	KNOB, TIMER (WHITE)
44	8566025	KNOB, TIMER (BISCUIT) (S/P)
45	8566018	DIAL, TIMER
46	8519200	SUPPORT, REAR PANEL
47	8565944	KNOB, CONTROL (WHITE) (S/P)
47	8565947	KNOB, CONTROL (BISCUIT) (S/P)
48	8577378	U-BEND, DRAIN HOSE (S/P)
49	8314879	SHIELD, INLET VALVE (S/P)
50	62863	SCREW, 10-16 X 3/8 (S/P)
51	3957374	HARNESS, WIRING (S/P)

**7MWT96760SG0 TINAS**

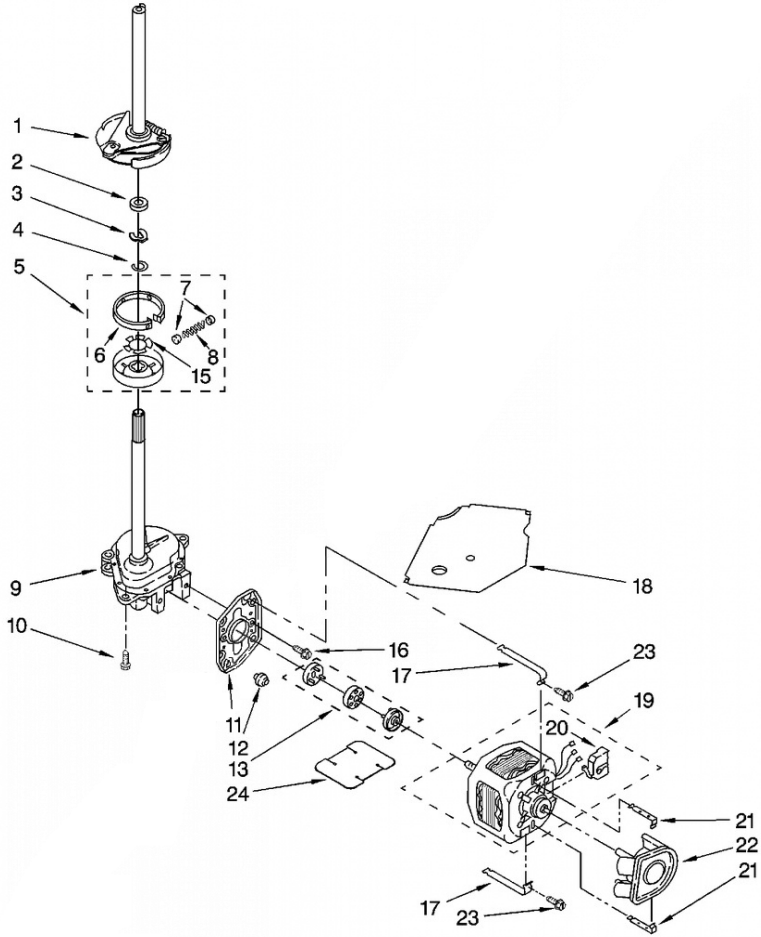




## 7MWT96760SGO TINAS

1	8528278	DISPENSER
2	358237	SCREW & WASHER (5/16-24 X 1)
3	3946996	AUGER, AGITATOR (S/P)
4	3947517	AGITATOR (S/P)
5	8528150	TUB RING & GASKET (S/P)
6	3976308	GASKET, TUB RING
7	3354845	CLIP, AGITATOR (S/P)
8	8543666	WASHER-AGITATOR (S/P)
9	8537433	CAM, DRIVEN (S/P)
10	285770	DOG, AGITATOR CLUTCH (4)
11	8055141	BEARING-DRIVEN CAM (S/P)
12	21366	NUT, SPANNER
13	8526016	BASKET & BALANCE RING (S/P)
14	387240	BALANCE RING
15	2219077	CLIP, PRESSURE SWITCH HOSE (S/P)
16	63849	TUB (S/P)
17	389140	BLOCK, BASKET DRIVE
18	383727	GASKET, CENTERPOST
19	353244	HOSE, PRESSURE SWITCH
20	8538246	AGITATOR (COMPLETE) (S/P)
21	8577198	FILTER, LINT (S/P)
22	3946997	SPRING, COMPRESSION (S/P)
23	8533540	RETAINER, SPRING (S/P)
24	3949550	WASHER (S/P)

**7MWT96760SG0 MOTOR**



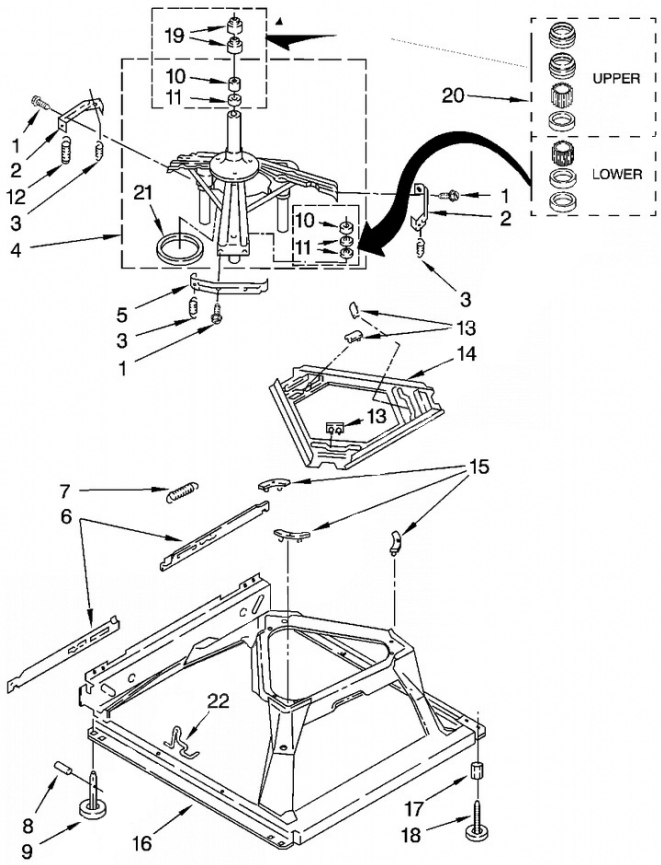




## 7MWT96760SG0 MOTOR

1	285792	BRAKE & DRIVE TUBE (COMPLETE)
2	63292	WASHER, SPIN TUBE THRUST
3	62697	RING, SPIN TUBE SUPPORT
4	285353	RING, RETAINER
5	285785	CLUTCH (COMPLETE)
6	285790	BAND & LINING, CLUTCH (INCLUDES ITEMS 7 & 8)
7	62646	CAP, CLUTCH SPRING (2) <b>(S/P)</b>
8	3946792	SPRING, CLUTCH <b>(S/P)</b>
9	3360629	GEARCASE (COMPLETE)
10	3357334	SCREW, GEARCASE TO BASE (3) <b>(S/P)</b>
11	62611	PLATE, MOTOR MOUNT TO GEARCASE <b>(S/P)</b>
12	62691	GROMMET, MOTOR (4)
13	285753	COUPLING, MOTOR & ISOLATION
15	3355454	CLIP, ANTI-RATTLE <b>(S/P)</b>
16	3400516	SCREW <b>(S/P)</b>
17	3349637	RETAINER, MOTOR (2)
18	3362089	SHIELD, TUB TO MOTOR <b>(S/P)</b>
19	389248	MOTOR, MAIN DRIVE
20	3952056	SWITCH, MAIN DRIVE MOTOR <b>(S/P)</b>
21	62700	RETAINER, PUMP (2)
22	3363394	PUMP (COMPLETE)
23	3387485	SCREW, 10-16 X 5/8 <b>(S/P)</b>
24	8316060	SHIELD, MOTOR <b>(S/P)</b>

**7MWT96760SG0 BASE**

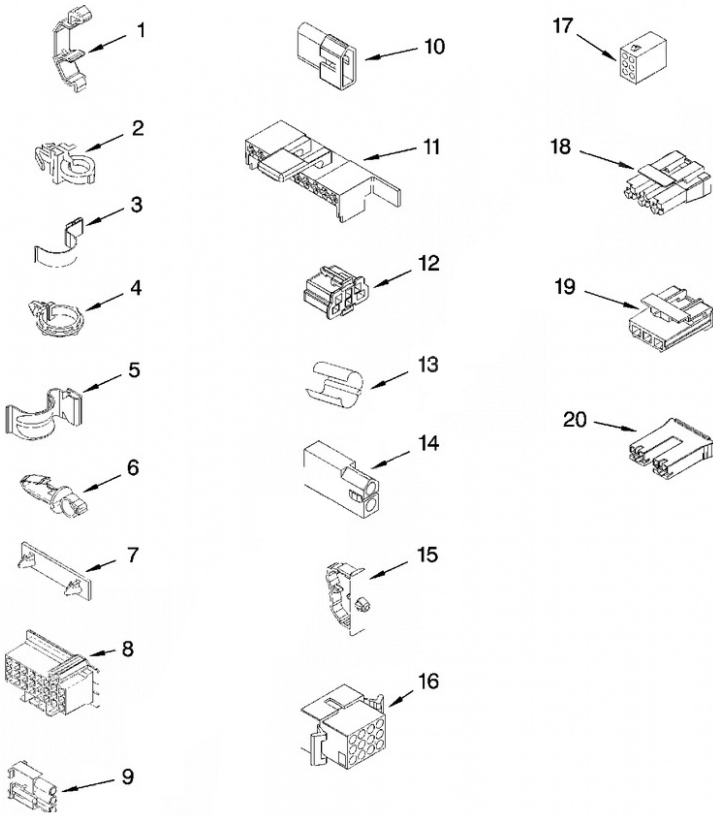




## 7MWT96760SG0 BASE

1	3400076	SCREW, BRACKET MOUNTING (10-32 X 5/8) <b>(S/P)</b>
2	64067	BRACKET, SPRING OUTER (2)
3	63907	SPRING SUSPENSION,(3)
4	63740	SUPPORT & BRAKE, TUB
5	64065	BRACKET, SPRING OUTER (L.F.)
6	63466	LINK, LEVELING MECHANISM (2) <b>(S/P)</b>
7	8316845	SPRING, LEVELING MECHANISM
8	62837	PIN, KNURLED <b>(S/P)</b>
9	285244	FOOT, REAR (2)
10	8546455	BEARING, CENTERPOST (2) <b>(S/P)</b>
11	359449	SEAL, CENTERPOST (3)
12	388492	SPRING, COUNTERWEIGHT
13	285219	PAD, PLATE
14	3946509	PLATE, SUSPENSION (INCLUDES ITEM 13) <b>(S/P)</b>
15	285744	PAD, BASE
16	285771	BASE ASSEMBLY
17	3359452	NUT, LOCK (2) (3/8-16) <b>(S/P)</b>
18	389102	FOOT, FRONT (2)
19	91938	SEAL, CENTERPOST (2)
20	285203	CENTERPOST BEARING KIT
21	63134	RING, SOUND DEADENING
22	63806	RETAINER, SUSPENSION SPRING

**7MWT96760SG0 HARNES**

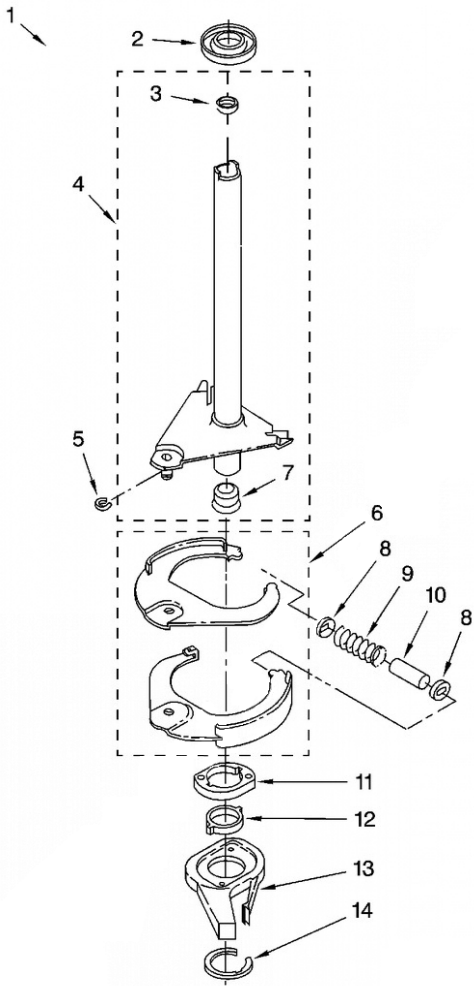




**7MWT96760SG0 HARNES**

1	3349557	RETAINER, HARNESS (S/P)
2	388498	CLIP, HARNESS <b>DESCONTINUADO</b>
3	8528351	CLIP, HARNESS (S/P)
4	3348535	CLIP, HARNESS (PUSH-IN) (S/P)
5	90016	CLIP, HARNESS (HALF-HARNESS) (S/P)
6	8281256	CLIP, HARNESS (S/P)
7	389379	RETAINER, HARNESS (S/P)
8	352089	TIMER, BLOCK DISCONNECT (BLACK) (S/P)
8	3948614	TIMER, BLOCK DISCONNECT (NATURAL) (S/P)
9	62889	RECEPTACLE, TERMINAL (3-WAY) (S/P)
10	353424	PLUG, TERMINAL (3-WAY) (S/P)
11	62505	BLOCK, DISCONNECT (MOTOR 2 SPEED) (S/P)
12	3347243	BLOCK, DISCONNECT (S/P)
13	63523	PROTECTOR (S/P)
14	717252	CONNECTOR (2-WAY) (S/P)
15	3352944	CLIP, HARNESS (S/P)
16	3390423	BLOCK, DISCONNECT (12-WAY) (S/P)
17	3347730	RECEPTACLE (6-WAY) <b>DESCONTINUADO</b>
18	3948617	CONNECTOR (T.P.A.) (3-CIRCUIT) (S/P)
19	3360056	PLUG (T.P.A) (3-CIRCUIT) (PRESSURE SWITCH) (S/P)
20	3354925	BLOCK, CONNECTOR (NATURAL) (S/P)
20	3354926	BLOCK, CONNECTOR (RED) (S/P)

**7MWT96760SG0 FLECHA HUECA**

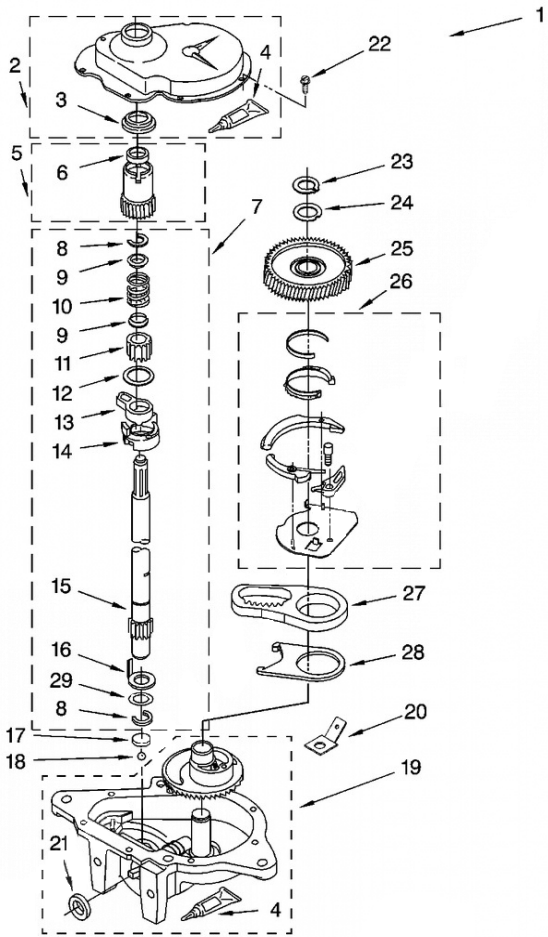




## 7MWT96760SG0 FLECHA HUECA

1	285792	BRAKE AND DRIVE TUBE (COMPLETE)
2	62658	RING, THRUST
3	356427	SEAL, DRIVE TUBE
4	64208	TUBE, BASKET DRIVE (INCLUDES ILLUS. 3, 4, 5 & 9)
5	64035	RING, RETAINING <b>(S/P)</b>
6	285438	SHOE, BRAKE (2)
7	62703	``T`` BEARING, SPIN TUBE
8	285658	CAP, BRAKE SPRING (2) <b>(S/P)</b>
9	387806	SPRING, BRAKE
10	285658	SLEEVE, BRAKE SPRING <b>(S/P)</b>
11	661516	CAM, BRAKE RELEASE
12	63022	SLEEVE, CAM <b>DESCONTINUADO</b>
13	64194	DRIVER, BRAKE CAM
14	285208	LUBRICANT <b>(S/P)</b>
14	90368	RING, RETAINING

**7MWT96760SG0 TRANSMISION**







## 7MWT96760SG0 TRANSMISION

1	3360629	GEARCASE (COMPLETE)
2	285202	COVER, GEARCASE <b>(S/P)</b>
3	3349985	SEAL, GEARCASE COVER
4	285195	SEALER, GASKET (.20 FL. OZ.) (6 ML) <b>(S/P)</b>
5	285362	PINION, SPIN (INCLUDES ILLUS. 25)
6	356427	SEAL, SPIN PINION
7	389387	SHAFT, AGITATOR (COMPLETE) <b>(S/P)</b>
8	90369	RING, RETAINING (2)
9	62677	RETAINER, SPRING (2)
10	62676	SPRING, AGITATE <b>(S/P)</b>
11	285509	GEAR, AGITATE <b>DESCONTINUADO</b>
12	62619	WASHER, AGITATE GEAR <b>(S/P)</b>
13	285206	CAM FOLLOWER (INCLUDES 14)
14	285206	CAM, AGITATE (INCLUDES 13)
15	285509	SHAFT, AGITATOR <b>DESCONTINUADO</b>
16	62618	WASHER, CAM THRUST
17	285205	BEARING, THRUST (INCLUDES 18)
18	285205	BALL, BEARING (INCLUDES 17)
19	285515	BOTTOM AND PINION, GEARCASE <b>(S/P)</b>
20	3949116	BLOCK TAB, TERMINAL <b>(S/P)</b>
21	285352	SEAL, THRUST PLUG
22	3351614	SCREW, GEARCASE COVER MOUNTING <b>(S/P)</b>
23	285765	RING, RETAINING
24	285735	WASHER KIT, THRUST
25	285362	GEAR, SPIN
26	388253	NEUTRAL ASSEMBLY
27	3949609	RACK, CONNECTING
28	62621	ACTUATOR, SHIFT
29	388815	WASHER, INTERMEDIATE <b>(S/P)</b>