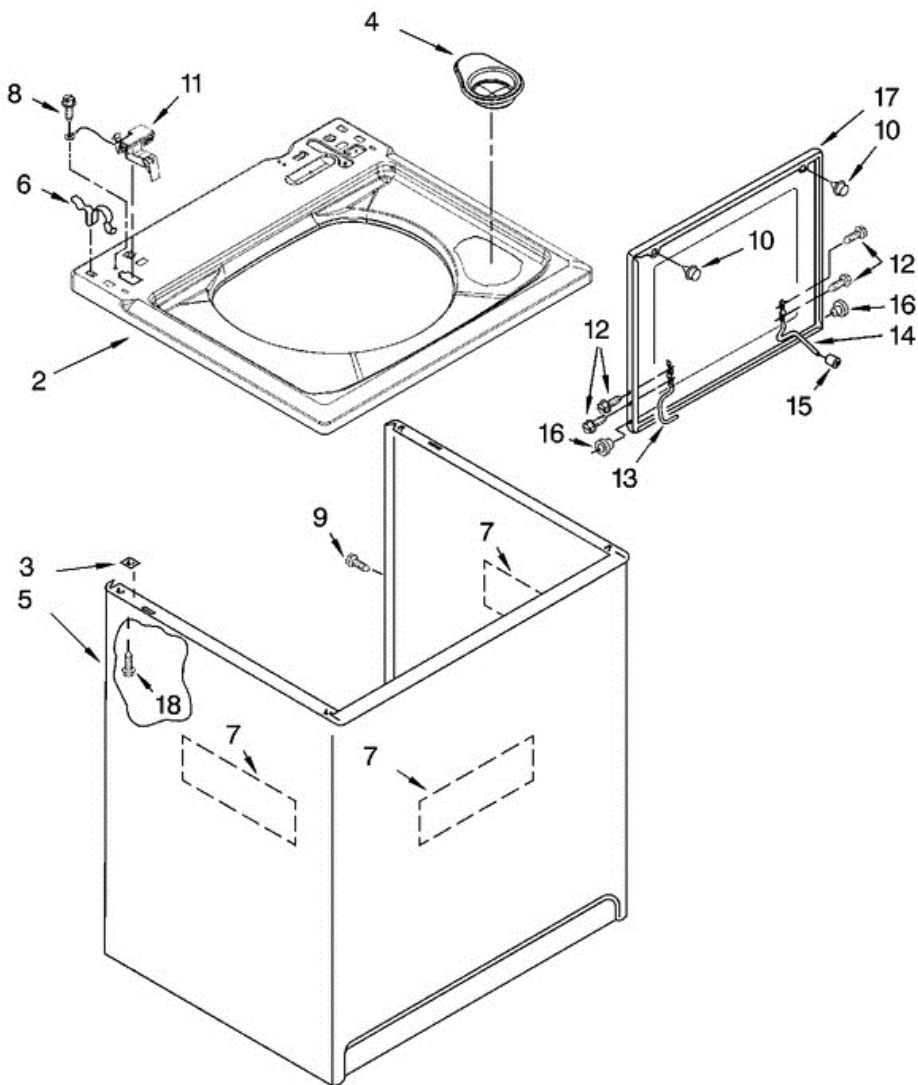


7MWT97920SG0 GABINETE





7MWT97920SG0 GABINETE

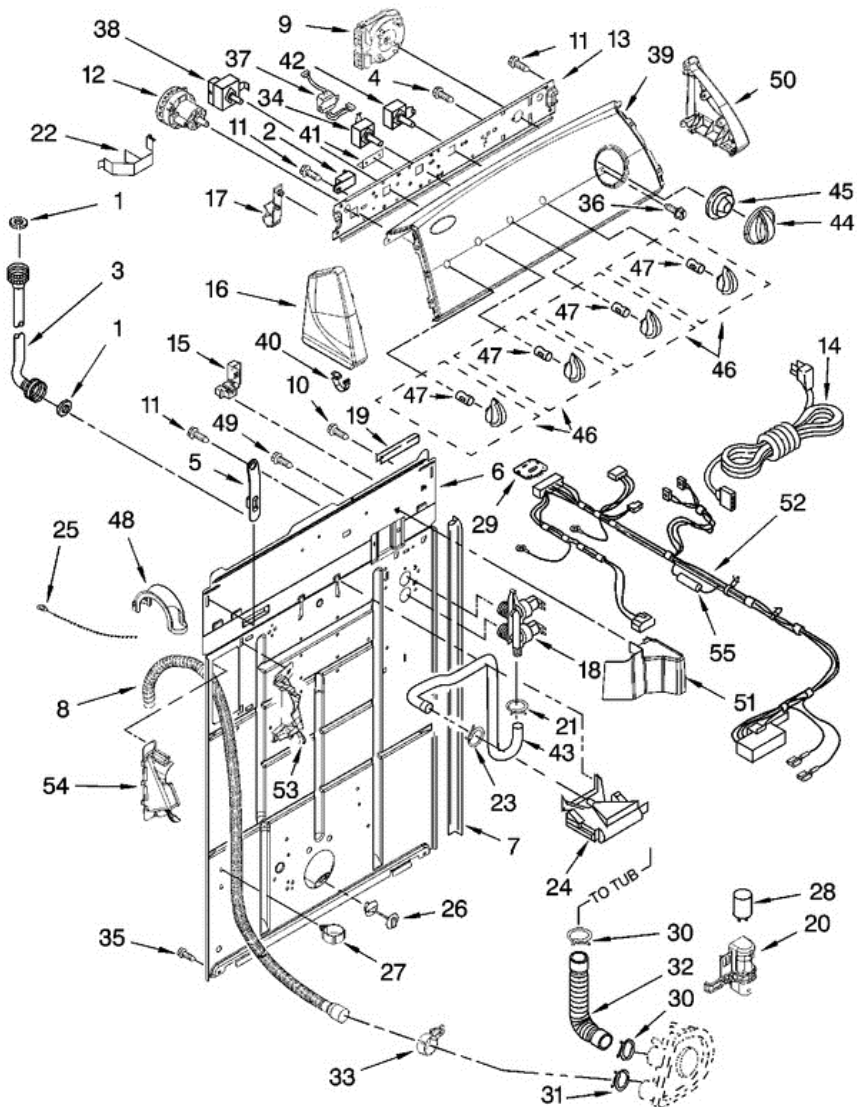
2	8543488	TOP (WHITE)
2	8543489	TOP (BISCUIT)
3	62750	SPACER, CABINET TO TOP (4)
4	8566266	DISPENSER, BLEACH
5	3954357	CABINET (BISCUIT)
5	63424	CABINET (WHITE)
6	62780	CLIP, TOP & CABINET & REAR PANEL (2)
7	3349654	CABINET-SOUND DAMPER (3)
8	3351614	SCREW, GROUND
9	3357011	SCREW, 10-16 X 1/2
10	9724509	BUMPER, LID (2)
11	8318084	SWITCH, LID
12	355274	SCREW, LID HINGE MOUNTING (4)
13	8559336	HINGE, LID (L.H.)
14	54583	HINGE, LID (R.H.)
15	19119	BUMPER, LID HINGE
16	8319539	BEARING, LID HINGE (2)
17	8530100	LID (WHITE)
17	8530101	LID (BISCUIT)
18	3390631	SCREW, 10-16 X 3/8 (4)

Distribuidor Autorizado

SurteRápido.com

Venta de Refacciones
Electrodomesticas

7MWT97920SG0 TABLERO



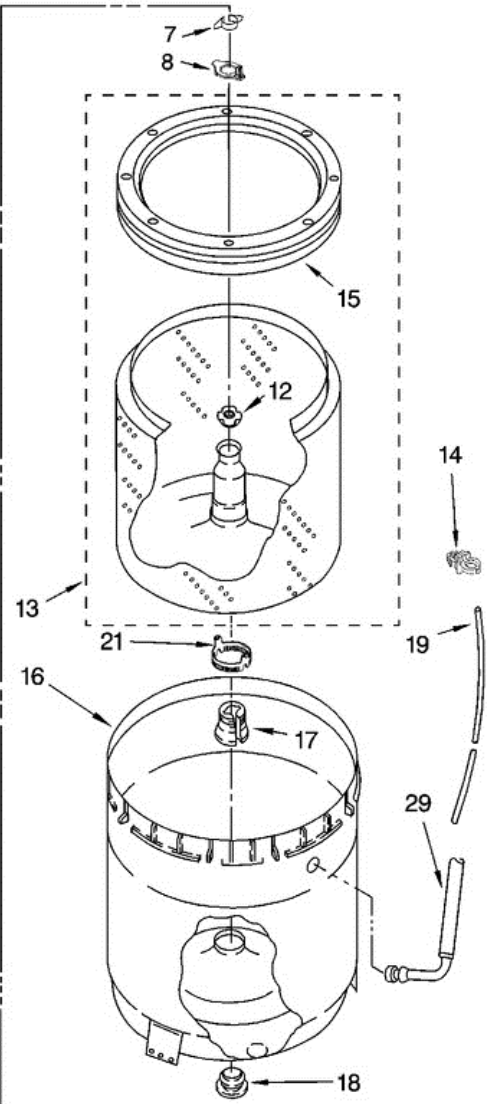
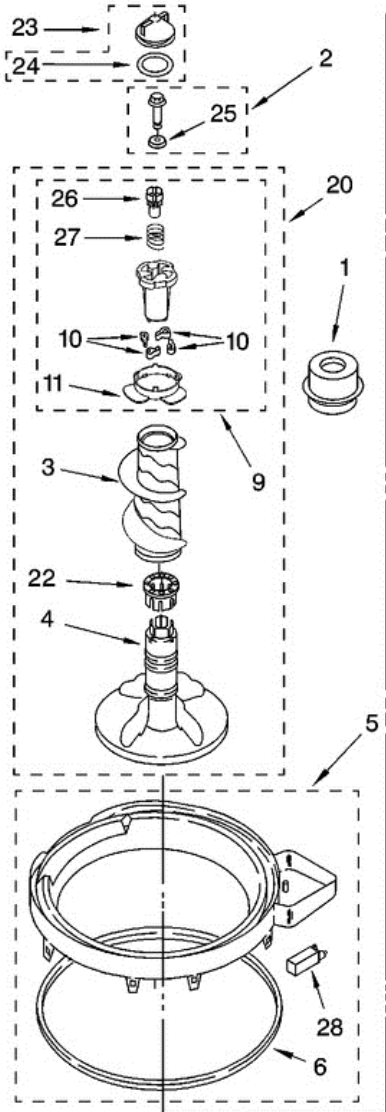


7MWT97920SG0 TABLERO

1	3976300	WASHER, WATER INLET HOSE (4) (1-1/16 X 5/8)
2	694419	BUZZER, MINI
3	8571377	HOSE, WATER INLET (2) (BLUE COUPLER)
3	8571378	HOSE, WATER INLET (2) (RED COUPLER)
4	3400073	SCREW, GROUND
5	8568314	STRAP, CONSOLE (2)
6	8318015	PANEL, REAR
7	62747	PAD, REAR PANEL
8	8559373	DRAIN HOSE ASSEMBLY (INCLUDES ITEMS 27 & 33)
9	3955765	TIMER, CONTROL (60 HZ.)
10	3351614	SCREW, GROUND
11	90767	SCREW, 8-18 X 3/8
12	3366845	SWITCH, WATER LEVEL
13	8566003	BRACKET, CONTROL
14	8559419	CORD, POWER (INCLUDES ITEM 15)
15	8559337	STRAIN RELIEF, POWER CORD
16	8565957	CAP, END (L.H.) (INCLUDES ITEM 40) (WHITE)
16	8565958	CAP, END (L.H.) (INCLUDES ITEM 40) (BISCUIT)
17	8317975	RETAINER, HARNESS
18	3979347	VALVE, WATER INLET & THERMISTOR ASSY.
19	303294	EDGE PROTECTOR
20	8318046	CLIP, CAPACITOR
21	301958	CLAMP, HOSE
22	8055003	CLIP, HARNESS & PRESSURE HOSE
23	370450	CLAMP, HOSE
24	387606	BREAK, VACUUM
25	3347868	CABLE TIE
26	8519200	SUPPORT, REAR PANEL
27	8541667	CLAMP, HOSE
28	8572720	CAPACITOR, MOTOR START
29	3407173	CONTROL, ATC
30	3363366	CLAMP, HOSE
31	8317496	CLAMP, HOSE

32	3951449	HOSE, PUMP TO TUB (INCLUDES ITEM 30)
33	8541668	CLAMP, HOSE
34	3950356	SWITCH, ROTARY
35	62863	SCREW, 10-16 X 3/8
36	3400818	SCREW, TIMER MOUNTING
37	3407174	TRANSFORMER
38	3956646	SWITCH, WATER TEMPERATURE
39	8543024	PANEL, CONSOLE (SILVER)
39	8543025	PANEL, CONSOLE (GOLD)
40	8312709	CLIP, CONSOLE
41	8316039	SHIELD, ATC
42	3956080	SWITCH, ROTARY
43	8317974	HOSE, VACUUM BREAK
44	8566022	KNOB, TIMER (WHITE)
44	8566025	KNOB, TIMER (BISCUIT)
45	8566018	DIAL, TIMER
46	8565944	KNOB, CONTROL (WHITE)
46	8565947	KNOB, CONTROL (BISCUIT)
47	8536939	CLIP, KNOB
48	8577378	U-BEND, DRAIN HOSE
49	9740848	SCREW, 8-18 X 1/2
50	8565954	CAP, END (R.H.) (INCLUDES ITEM 40) (WHITE)
50	8565955	CAP, END (R.H.) (INCLUDES ITEM 40) (BISCUIT)
51	8314879	SHIELD, INLET VALVE
52	W10066880	HARNESS, WIRING (FOR DETAIL SEE PAGES 9 & 10)
53	8541669	BUCKET, DRAIN HOSE (LEFT HALF)
54	8541658	BUCKET, DRAIN HOSE (RIGHT HALF)
55	8317387	FUSE (IN HARNESS)

7MWT97920SG0 TINAS

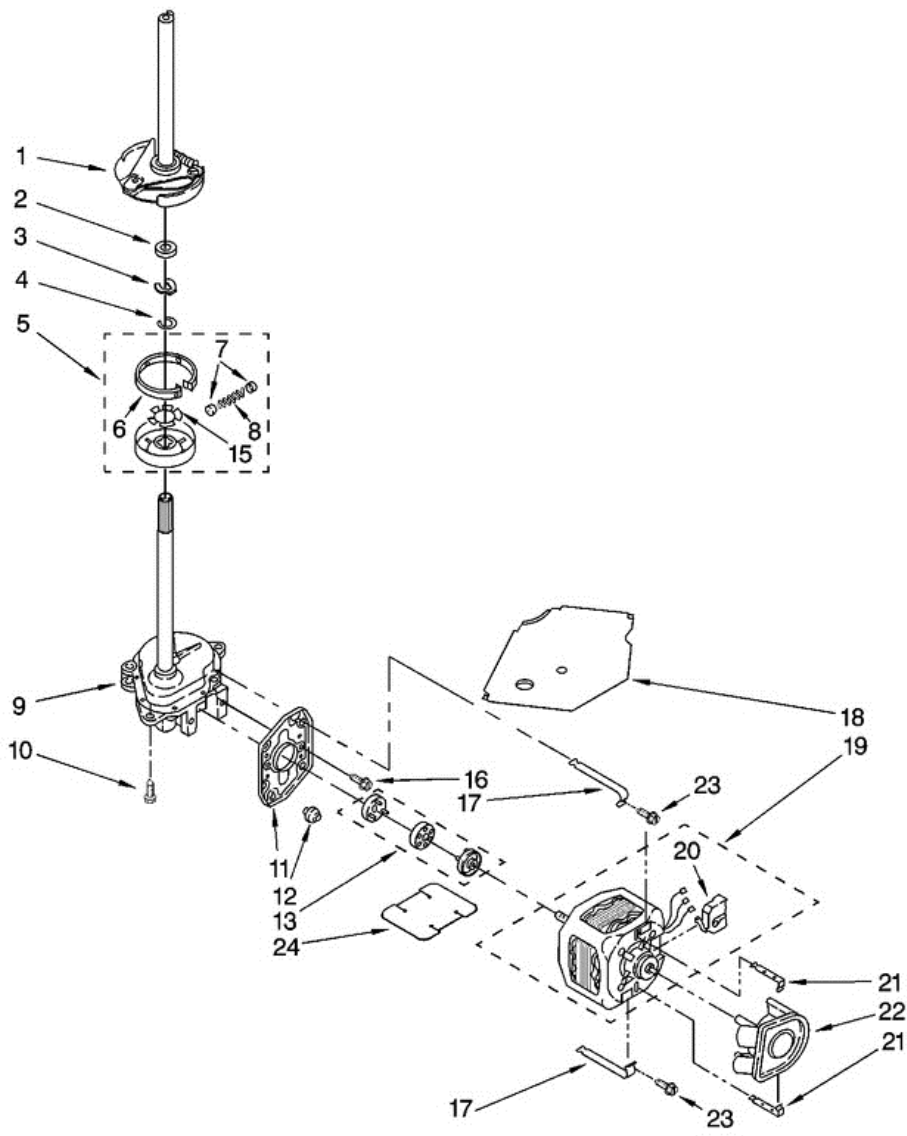




7MWT97920SG0 TINAS

1	8580006	DISPENSER, FABRIC SOFTENER
2	358237	SCREW & WASHER (5-16-24 X 1)
3	8054468	AUGER, AGITATOR
4	8578209	AGITATOR
5	3954507	TUB RING & GASKET
6	3359585	SEAL, TUB RING
7	3354845	CLIP, AGITATOR
8	8543666	WASHER, AGITATOR
9	8537434	CAM, DRIVEN
10	3366877	DOG, AGITATOR CLUTCH (4)
11	8055141	BEARING-DRIVEN CAM
12	21366	NUT, SPANNER
13	8526016	BASKET & BALANCE RING
14	2219077	CLIP, PRESSURE SWITCH HOSE
15	8519788	BALANCE RING
16	8283125	TUB
17	389140	BLOCK, BASKET DRIVE
18	383727	GASKET, CENTERPOST
19	3347780	HOSE, PRESSURE SWITCH
20	8578210	AGITATOR (COMPLETE)
21	8577198	FILTER, LINT
22	8055228	SPACER, THRUST
23	3354733	CAP, BARRIER
24	3348855	SEAL-INNER CAP
25	3949550	WASHER
26	8533540	RETAINER, SPRING
27	8055140	SPRING, COMPRESSION
28	8318246	WAX MOTOR
29	3948705	HOSE, BLEACH

7MWT97920SG0 MOTOR

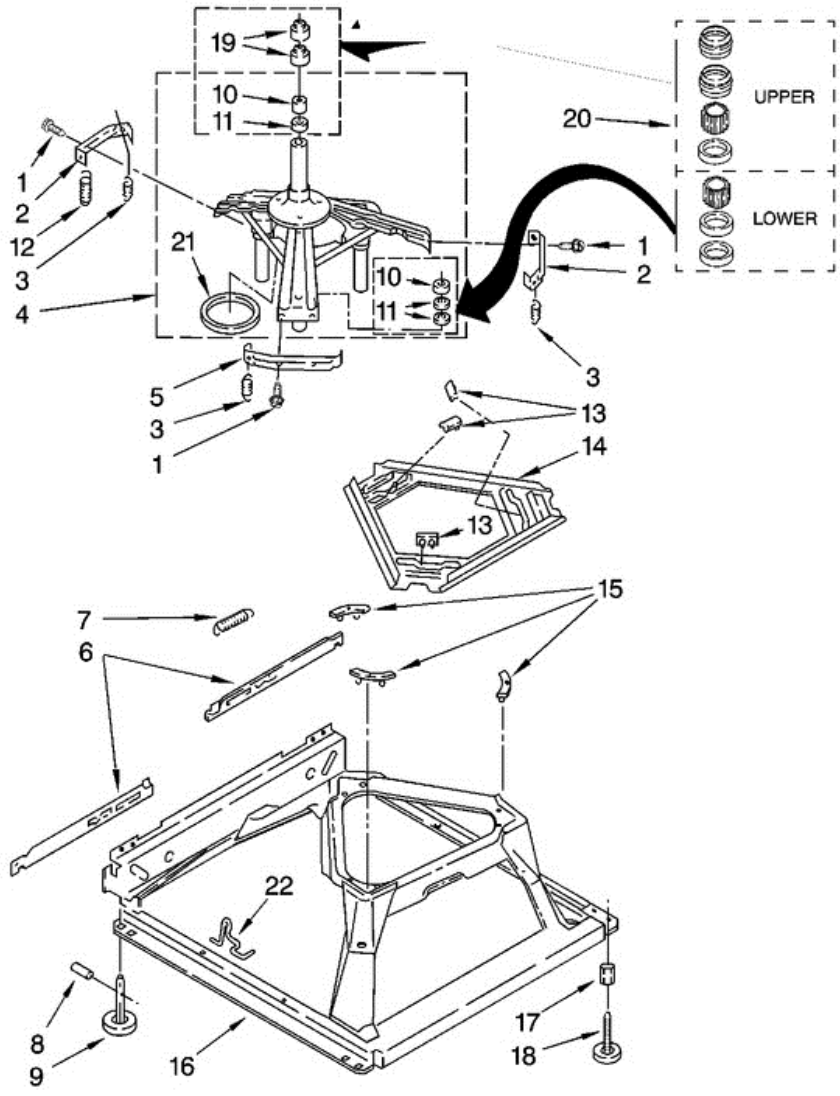




7MWT97920SG0 MOTOR

1	388952	BRAKE & DRIVE TUBE (COMPLETE)
2	63292	WASHER, SPIN TUBE THRUST
3	62697	RING, SPIN TUBE SUPPORT
4	63283	RING, RETAINER
5	3951311	CLUTCH (COMPLETE)
6	3951308	BAND & LINING, CLUTCH (INCLUDES ITEMS 7 & 8)
7	62646	CAP, CLUTCH SPRING (2)
8	3946792	SPRING, CLUTCH
9	8532118	GEARCASE (COMPLETE)
10	3357334	SCREW, GEARCASE TO BASE (3)
11	62611	PLATE, MOTOR MOUNT TO GEARCASE
12	62691	GROMMET, MOTOR (4)
13	285753	COUPLING, MOTOR & ISOLATION
15	3355454	CLIP, ANTI-RATTLE
16	3400516	SCREW
17	3349637	RETAINER, MOTOR (2)
18	3362089	SHIELD, TUB TO MOTOR
19	8529936	MOTOR, MAIN DRIVE
20	8529896	SWITCH, MAIN DRIVE MOTOR
21	8546127	RETAINER, PUMP (2)
22	3363394	PUMP (COMPLETE)
23	3387485	SCREW, 10-16 X 5/8
24	8316060	SHIELD, MOTOR

7MWT97920SG0 BASE

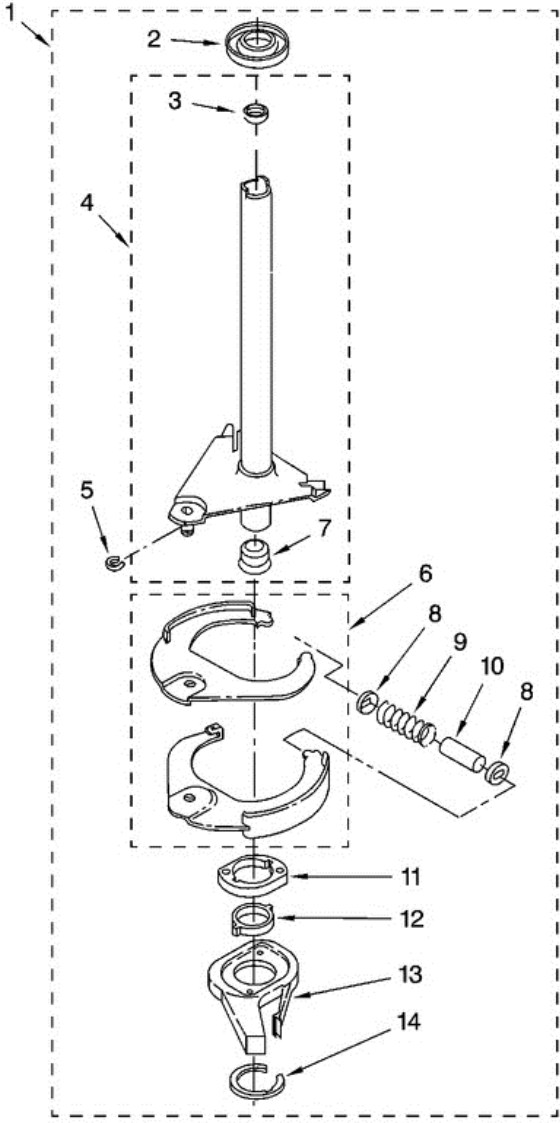




7MWT97920SG0 BASE

1	3400076	SCREW, BRACKET MOUNTING (10-32 X 5/8)
2	64067	BRACKET, SPRING OUTER (2)
3	63907	SPRING, SUSPENSION (3)
4	8575214	SUPPORT & BRAKE, TUB
5	64065	BRACKET, SPRING OUTER (L.F.)
6	63466	LINK, LEVELING MECHANISM (2)
7	62597	SPRING, LEVELING MECHANISM
8	62837	PIN, KNURLED
9	62596	FOOT, REAR (2)
10	8546455	BEARING, CENTERPOST (2)
11	357409	SEAL, CENTERPOST (3)
12	8318050	SPRING, COUNTERWEIGHT
13	62568	PAD, PLATE
14	3946509	PLATE, SUSPENSION (INCLUDES ITEM 13)
15	3363660	PAD, BASE
16	3946512	BASE ASSEMBLY (6, 7, 8, 9, 13, 14, 15 & 22)
17	3359452	NUT, LOCK (2) (3/8-16)
18	W10001130	FOOT, FRONT (2)
19	356934	SEAL, CENTERPOST (2)
20	285203	CENTERPOST BEARING KIT (10, 11 & 19)
21	63134	RING, SOUND DEADENING
22	63806	RETAINER, SUSPENSION SPRING

7MWT97920SG0 FLECHA HUECA

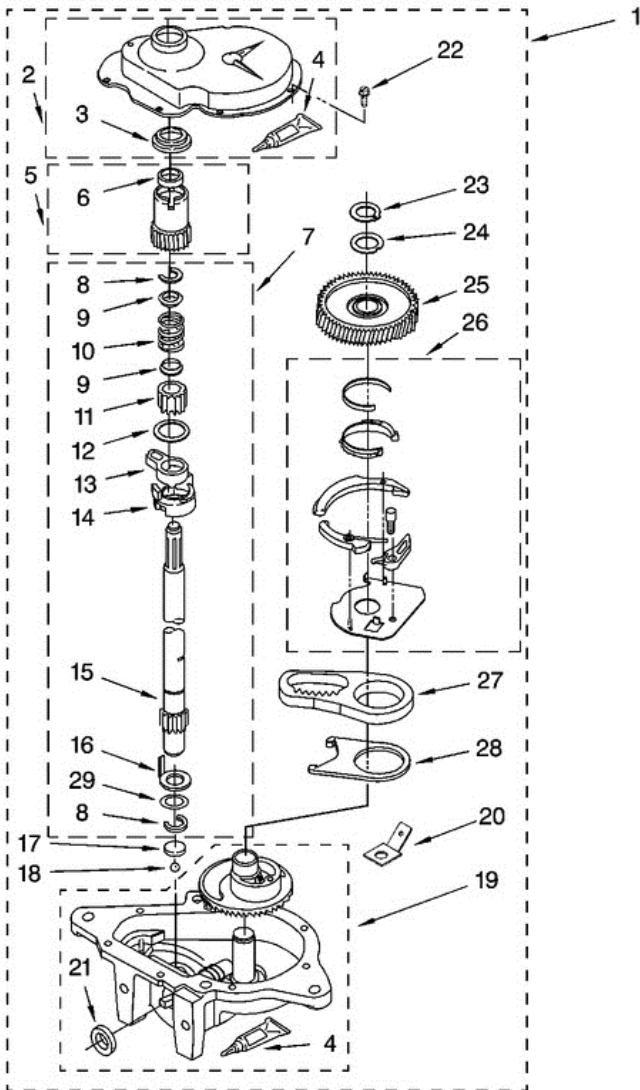




7MWT97920SG0 FLECHA HUECA

1	388952	BRAKE AND DRIVE TUBE (COMPLETE)
2	62658	RING, THRUST
3	356427	SEAL, DRIVE TUBE
4	64027	TUBE, BASKET DRIVE (INCLUDES ILLUS. 3, 4, 5 & 9)
5	64035	RING, RETAINING
6	64232	SHOE, BRAKE (2)
7	62703	``T`` BEARING, SPIN TUBE
8	3353956	CAP, BRAKE SPRING (2)
9	387806	SPRING, BRAKE
10	3355360	SLEEVE, BRAKE SPRING
11	661516	CAM, BRAKE RELEASE
12	63022	SLEEVE, CAM
13	64194	DRIVER, BRAKE CAM
14		FOLLOWING PARTS NOT ILLUSTRATED
14	285208	LUBRICANT
14	90368	RING, RETAINING

7MWT97920SG0 TRANSMISION





7MWT97920SG0 TRANSMISION

1	8532118	GEARCASE (COMPLETE)
2	285202	COVER, GEARCASE
3	3349985	SEAL, GEARCASE COVER
4	285195	SEALER, GASKET (.20 FL. OZ.) (6 ML)
5	63320	PINION, SPIN (INCLUDES ITEM 25)
6	356427	SEAL, SPIN PINION
7	389387	SHAFT, AGITATOR (COMPLETE)
8	90369	RING, RETAINING (2)
9	62677	RETAINER, SPRING (2)
10	62676	SPRING, AGITATE
11	63273	GEAR, AGITATE (INCLUDES 15 & 29)
12	62619	WASHER, AGITATE GEAR
13	62580	CAM FOLLOWER (INCLUDES 14)
14	62581	CAM, AGITATE (INCLUDES 13)
15	285509	SHAFT, AGITATOR (INCLUDES 11 & 29)
16	62618	WASHER, CAM THRUST
17	16018	BEARING, THRUST (INCLUDES 18)
18	85529	BALL, BEARING (INCLUDES 17)
19	389230	BOTTOM AND PINION, GEARCASE
20	3949116	BLOCK TAB, TERMINAL
21	285352	SEAL, THRUST PLUG
22	3351614	SCREW, GEARCASE COVER MOUNTING (8)
23	3362552	RING, RETAINING
24	285735	WASHER KIT, THRUST
25	62570	GEAR, SPIN
26	388253	NEUTRAL ASSEMBLY
27	3349296	RACK, CONNECTING
28	62621	ACTUATOR, SHIFT
29	388815	WASHER, INTERMEDIATE