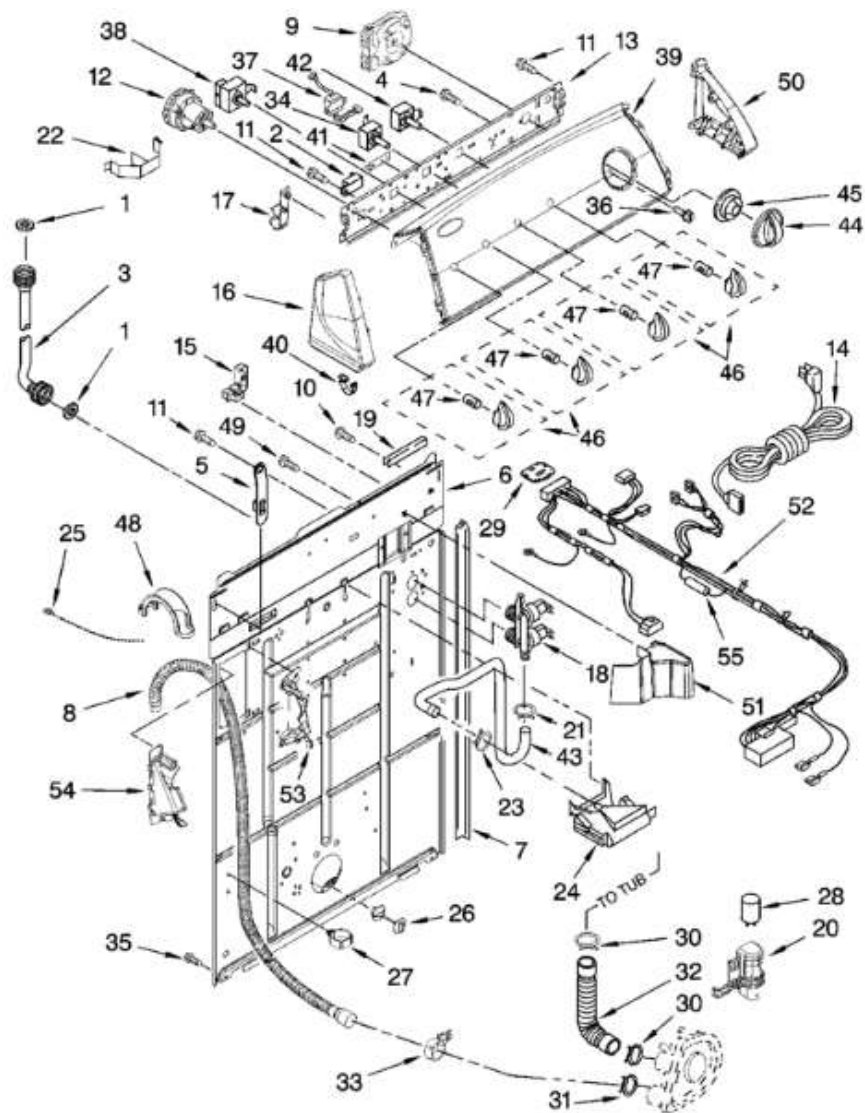


7MWT97920SW0

| | | |
|----|-------------|----------------------------------|
| 1 | 8539806 | Use & Care Guide |
| 1 | 8558670 | Feature Sheet |
| 1 | 8563996 | Wiring Diagram - NLA |
| 1 | 8577179 | Energy Guide |
| 1 | W10071230 | Installation Instructions |
| 2 | 8543488 | Top - NLA |
| 2 | 8543489 | Top (Biscuit) |
| 3 | WP62750 | Spacer,Cabinet To Top |
| 4 | WP8566266 | Dispenser,Bleach |
| 5 | 3954357 | Cabinet (Biscuit) |
| 5 | 63424 | Cabinet |
| 6 | WP62780 | CLIP, TOP & CABINET & REAR PANEL |
| 7 | WP3976348 | Cabinet-Sound Dampener |
| 8 | WP3351614 | SCREW |
| 9 | WP308685 | SCREW |
| 10 | WP9724509 | BUMPER,LID |
| 11 | WP8318084 | Switch,Lid |
| 12 | WPW10119828 | Screw |
| 13 | WPW10225136 | Hinge,Lid (L.H.) |
| 14 | WP54583 | HINGE,LID (RIGHT) |
| 15 | WP19119 | Bumper (2) |
| 16 | WP8319539 | BEARING,LID HINGE |
| 17 | 8530100 | Lid |
| 17 | 8530101 | Lid (Biscuit) |
| 18 | WP3390631 | SCREW |

7MWT97920SW0



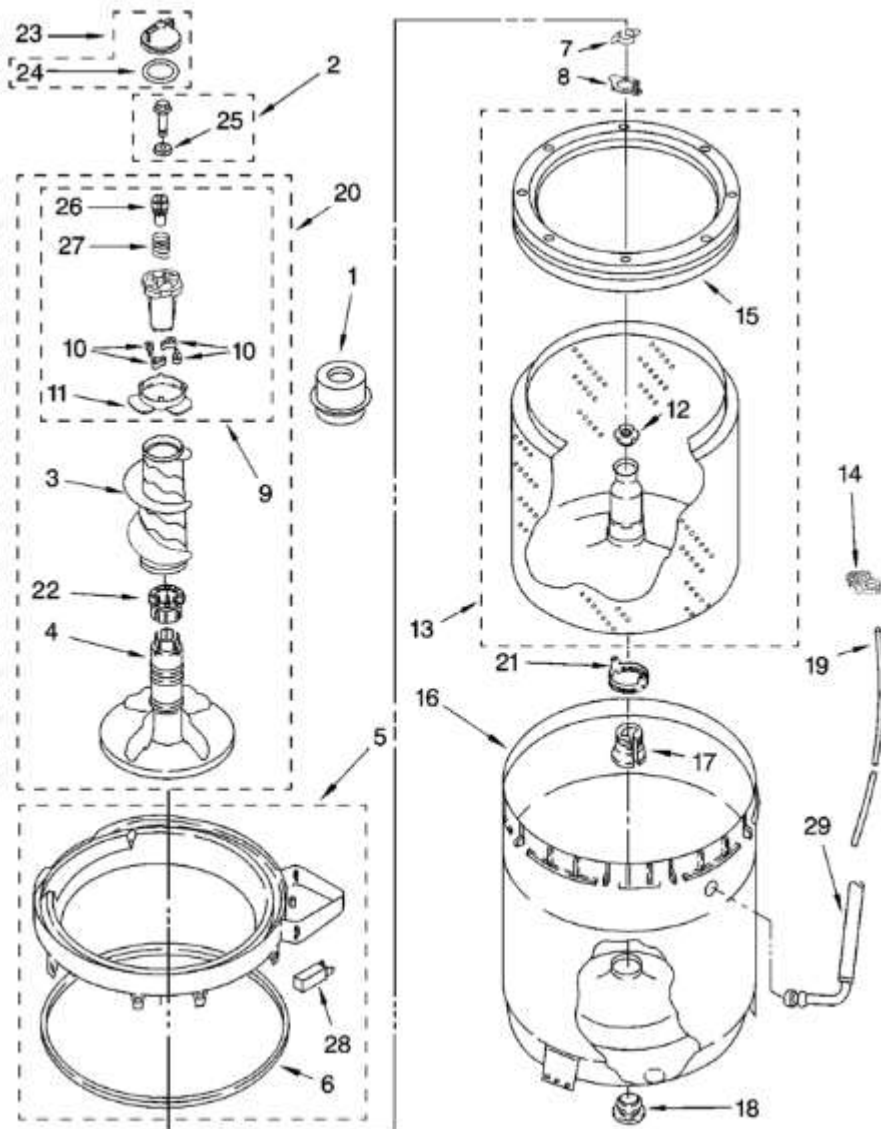
7MWT97920SW0

| | | |
|----|-------------|---|
| 1 | WP16123 | ACCESSORY PARTS,POWER CORDS WASHER,INLET HOSE |
| 2 | WP694419 | BUZZER,MINI |
| 3 | WP89503 | HOSE,WATER INLET (COLD WATER) |
| 3 | WP89503 | HOSE,WATER INLET (HOT) |
| 4 | 3400073 | SCREW |
| 5 | WP8568314 | STRAP,CONSOLE |
| 6 | WP8318015 | Panel,Rear |
| 7 | WP62747 | Pad,Rear Panel |
| 8 | WPW10096921 | Drain Hose Assembly (Includes Items 19 & 27) |
| 9 | WP3955765 | Timer,Control (60 Hz.) (Motor Not A Service Part) |
| 10 | WP3351614 | SCREW |
| 11 | WP90767 | SCREW |
| 12 | W10339326 | Switch,Pressure |
| 13 | 8566003 | Bracket,Control |
| 14 | WP8559419 | Cord,Power |
| 15 | 285777 | Strain Relief,Power Cord |
| 16 | WP8565957 | END CAP (LEFT) (WHITE) |
| 16 | WP8565958 | Cap,End (L.H.) (Biscuit) |
| 17 | 8317975 | Retainer,Harness |
| 18 | WP3979346 | Valve,Water Inlet & Thermistor Assy. |
| 19 | 3367669 | PROTECTOR,EDGE |
| 20 | 8318046 | Clip,Capacitor |
| 21 | WP596669 | Clamp |
| 22 | WP8055003 | Clip,Harness & Pressure Hose |
| 23 | WP596669 | CLAMP,HOSE |
| 24 | 387606 | BREAK,VACUUM |
| 25 | WPW10339879 | TIE,CABLE (BEADED) |
| 26 | WP8519200 | Support,Rear Panel |

| | | |
|----|-----------|--|
| 27 | 8541667 | Clamp,Hose |
| 28 | WP8572720 | Capacitor |
| 29 | WP3407173 | Control,ATC |
| 30 | WP616099 | CLAMP,HOSE |
| 31 | WP285655 | CLAMP,HOSE |
| 32 | 285871 | HOSE,TUB TO PUMP (INCLUDES CLAMP) |
| 33 | 8541668 | Clamp,Hose |
| 34 | 3950356 | Switch,Rotary |
| 35 | WP3390631 | SCREW |
| 36 | WP3400818 | SCREW |
| 37 | 3407174 | Transformer |
| 38 | 3956646 | Switch,Temperature |
| 39 | 8543024 | Panel,Console (Silver) - NLA |
| 39 | 8543025 | Panel,Console (Gold) |
| 40 | WP8312709 | CLIP,CONSOLE |
| 41 | 8316039 | Shield,ATC |
| 42 | 3956080 | Switch,Rotary |
| 43 | WP8317926 | Hose,Vacuum Break |
| 44 | WP8566022 | KNOB,TIMER (WASHER) (WHITE) |
| 44 | 8566025 | Knob,Timer (Biscuit) |
| 45 | WP8566018 | DIAL,TIMER |
| 46 | WP8565944 | ASSEMBLY,CONTROL KNOB (WHITE) |
| 46 | WP8565947 | Knob,Control (1) (Biscuit) |
| 47 | WP8536939 | CLIP,SPRING |
| 48 | WP8577378 | U-BEND,DRAIN HOSE |
| 49 | WP9740848 | SCREW |
| 50 | WP8565954 | END CAP (RIGHT) (WHITE) |
| 50 | WP8565955 | Cap,End (R.H.) (Biscuit) |
| 51 | WP8314879 | Shield,Inlet Valve |
| 52 | W10066880 | Harness,Wiring (For Detail See Pages 9 & 10) |

| | | |
|----|-----------|--------------------------------|
| 53 | 8541669 | Bucket,Drain Hose |
| 54 | 8541658 | Bucket,Drain Hose (Right Half) |
| 55 | W10213410 | Fuse (In Harness) |

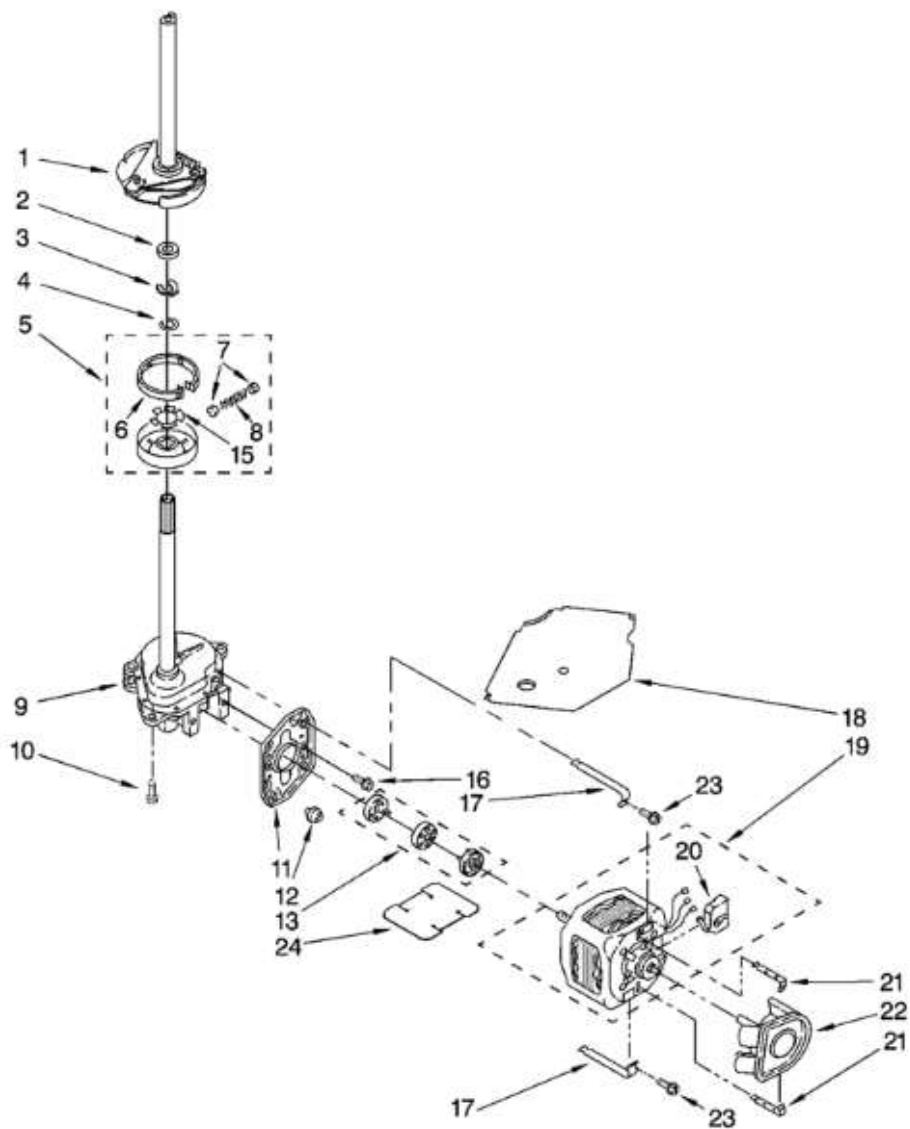
7MWT97920SW0



7MWT97920SW0

| | | |
|----|-------------|----------------------------|
| 1 | WP8580006 | DISPENSER,FABRIC SOFTENER |
| 2 | WP358237 | SCREW AND WASHER |
| 3 | WP8054468 | MOVER,CLOTHES |
| 4 | WP8578209 | AGITATOR,COMPLETE ASSEMBLY |
| 5 | W10213410 | Tub Ring |
| 6 | WP3976308 | Gasket,Tub Ring |
| 7 | WP3354845 | Clip,Agitator |
| 8 | WP8543666 | Washer,Agitator |
| 9 | WP8537434 | CAM,DRIVEN |
| 10 | 80040 | DOG,AGITATOR CLUTCH |
| 11 | WP8055141 | BEARING,CAM |
| 12 | WP21366 | NUT,SPANNER |
| 13 | W10389328 | BASKET |
| 14 | 2219077 | CLIP,HARNESS |
| 15 | WP387240 | Balance Ring |
| 16 | 8283125 | Tub |
| 17 | WP389140 | BLOCK,BASKET DRIVE |
| 18 | W10814296 | GASKET,CENTERPOST |
| 19 | WP353244 | Hose,Pressure Switch |
| 20 | WP8578210 | AGITATOR (COMPLETE) |
| 21 | 8577198 | Filter,Lint |
| 22 | WP8055228 | SPACER,THRUST |
| 23 | WPW10074580 | CAP,BARRIER |
| 24 | WPW10072840 | Cap,Agitator |
| 25 | WP3949550 | WASHER |
| 26 | WP8533540 | RETAINER,SPRING |
| 27 | WP8055140 | SPRING,COMPRESSION |
| 28 | W10213410 | Wax Motor |
| 29 | WP3948705 | Hose,Bleach |

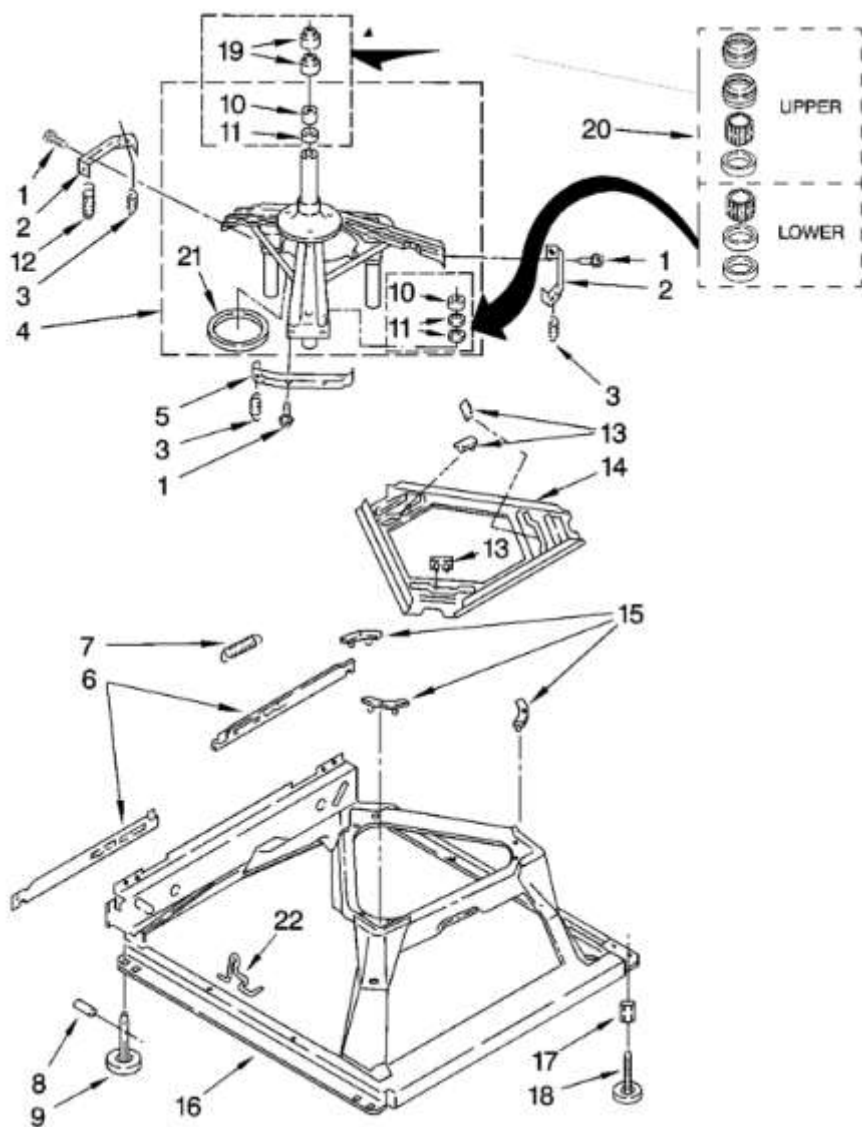
7MWT97920SW0



7MWT97920SW0

| | | |
|----|-------------|-------------------------------|
| 1 | W10820043 | Brake & Drive Tube (Complete) |
| 2 | WP63292 | WASHER,SPIN TUBE THRUST |
| 3 | WPW10080230 | RING,SPIN TUBE SUPPORT |
| 4 | 285353 | RING,RETAINING |
| 5 | 285785 | CLUTCH (COMPLETE) |
| 6 | 285790 | BAND AND LINING ASSEMBLY |
| 7 | WP62646 | CAP,CLUTCH SPRING |
| 8 | WP3946792 | SPRING & DAMPER ASSEMBLY |
| 9 | 3360629 | GEARCASE (COMPLETE) |
| 10 | WP3400516 | SCREW |
| 11 | WP62611 | PLATE,MOTOR MOUNT TO GEARCASE |
| 12 | WP62691 | GROMMET,MOTOR |
| 13 | 285753A | Coupling,Motor |
| 15 | WP3355454 | CLIP,ANTI-RATTLE |
| 16 | WP3400516 | Screw |
| 17 | WPW10086010 | Retainer,Motor |
| 18 | 3362089 | SHIELD,TUB TO MOTOR |
| 19 | WP8529936 | Motor,Main Drive |
| 20 | WP8529896 | Switch,Main Drive Motor |
| 21 | WP8546127 | RETAINER,PUMP |
| 22 | WP3363394 | PUMP (COMPLETE) |
| 23 | 636T091P05 | SCREW |
| 24 | 8316060 | SHIELD,MOTOR |

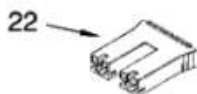
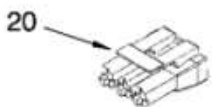
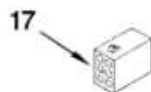
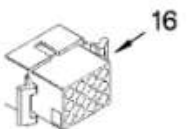
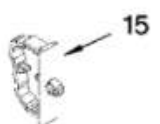
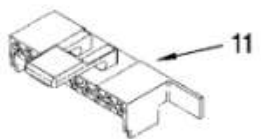
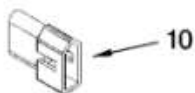
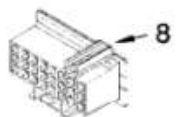
7MWT97920SW0



7MWT97920SW0

| | | |
|----|-------------|--|
| 1 | W10846509 | SCREW |
| 2 | WP64067 | BRACKET,SPRING OUTER |
| 3 | WP63907 | SPRING,SUSPENSION |
| 4 | 280184 | SUPPORT & BREAK,TUB |
| 5 | WP64065 | BRACKET,SPRING OUTER (LEFT FRONT) |
| 6 | WP63466 | LINK,LEVELING MECHANISM |
| 7 | 8316845 | SPRING,LEVELING MACHANISM |
| 8 | WP62837 | Pin,Knurled |
| 9 | 285244 | FOOT,REAR |
| 10 | WP8546455 | BEARING,CENTERPOST |
| 11 | WP359449 | SEAL,SHAFT |
| 12 | 285901 | Spring,Counterweight |
| 13 | 285219 | PAD,PLATE |
| 14 | WP3946509 | PLATE,SUSPENSION |
| 15 | 285744 | PAD,BASE |
| 16 | 285771 | Base Assembly (Includes Items 6,7,8,9,10 & 18) |
| 17 | WP3359452 | NUT,HEX |
| 18 | WPW10001130 | FOOT,FRONT |
| 19 | LP630 | Seal,Centerpost |
| 20 | 285203 | BEARING |
| 21 | WP63134 | RING,SOUND DEADENING |
| 22 | WPW10145155 | Retainer,Suspension Spring |

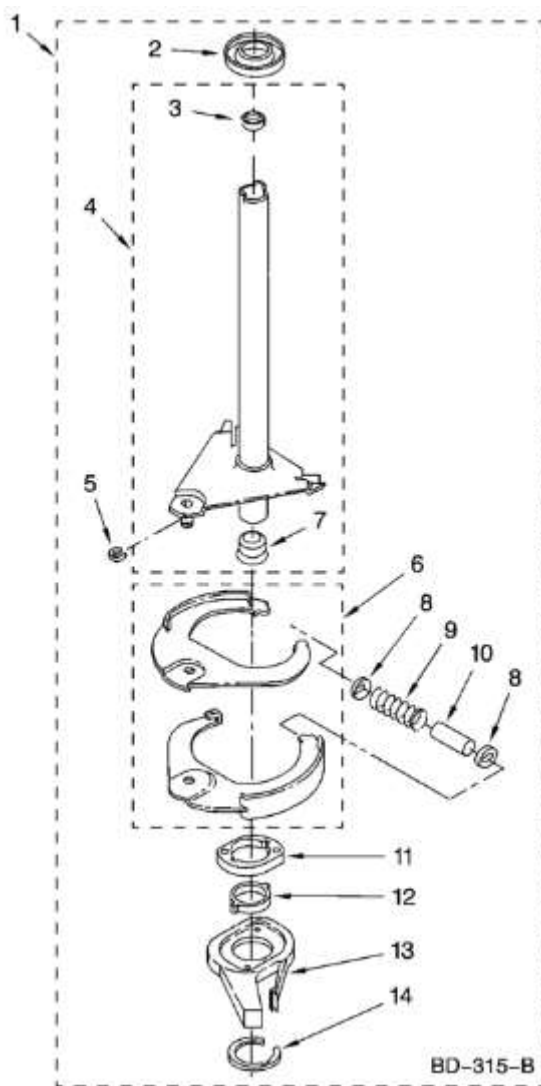
7MWT97920SW0



7MWT97920SW0

| | | |
|----|-----------|---|
| 1 | 3349557 | Clip,Harness |
| 2 | 388498 | Clip,Harness |
| 3 | 8528351 | CLIP,HARNESS WIRING |
| 4 | 3352501 | CLIP,PUSH-IN |
| 5 | WP90016 | CLIP,HARNESS |
| 6 | 8281256 | Clip,Harness |
| 7 | WP389379 | Clip,Harness |
| 8 | W10876590 | Block,Disconnect |
| 8 | 3948614 | BLOCK,TIMER DISCONNECT |
| 9 | WP62889 | Receptacle,Terminal (3-Way) |
| 10 | 353424 | CONNECTOR,SENSOR |
| 11 | WP62505 | Block,Disconnect |
| 12 | 3347243 | Block,Disconnect |
| 13 | 63523 | Harness,Protector |
| 14 | 717252 | PLUG,2 WAY - NLA |
| 15 | 3352944 | Clip,Harness |
| 16 | 3390423 | Block,Disconnect (12-Way) - NLA |
| 17 | 3347730 | Connector |
| 18 | 3349494 | Connector,Etc - NLA |
| 19 | WP3955728 | E.T.C. Control |
| 20 | WP2172937 | Connector (T.P.A.) (3-Circuit) |
| 21 | WP3360056 | Connector (T.P.A) (3-Circuit) (Pressure Switch) |
| 22 | 3354925 | Block,Connector (Cold Valve) |
| 22 | 3354926 | Block,Connector (Hot Valve) |

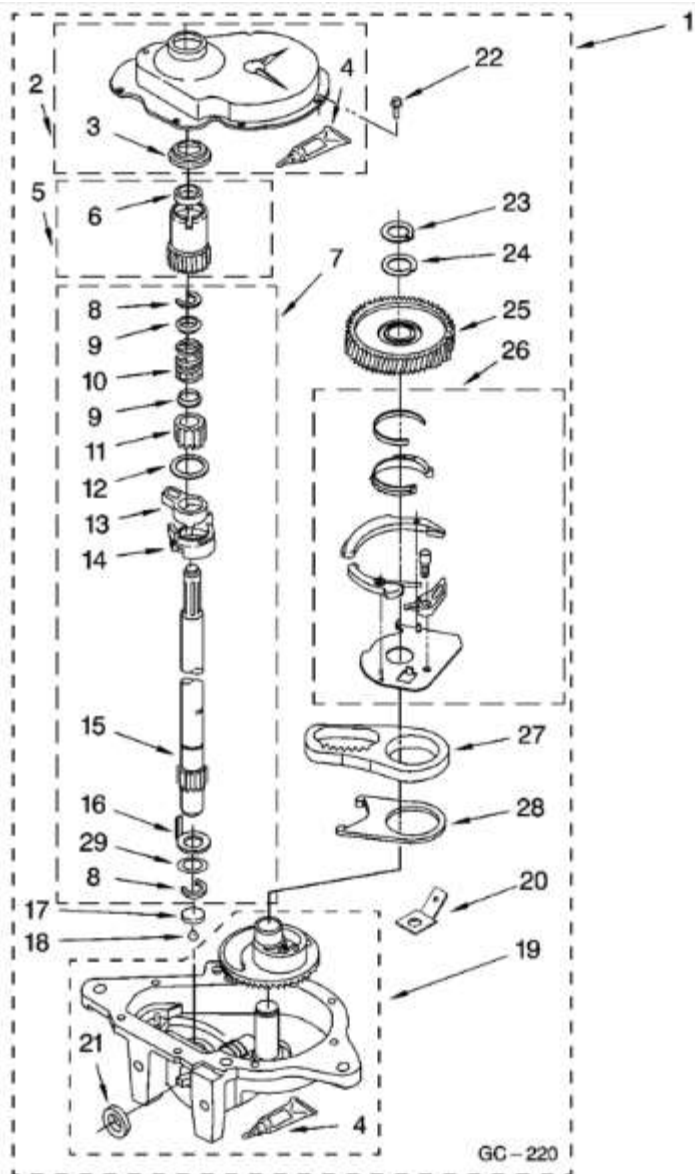
7MWT97920SW0



7MWT97920SW0

| | | |
|----|-------------|---|
| 1 | W10820043 | Brake & Drive Tube (Complete) |
| 2 | WP62658 | RING,THRUST |
| 3 | WP356427 | SEAL,DRIVE TUBE |
| 4 | WP64208 | TUBE,BASKET DRIVE |
| 5 | W10083190 | E |
| 6 | 285438 | SHOE,BRAKE |
| 7 | WP8546462 | ``T`` BEARING,SPIN TUBE |
| 8 | 285658 | CAP,BRAKE SPRING |
| 9 | 387806 | Spring,Brake - NLA |
| 10 | 285658 | SLEEVE,BRAKE SPRING |
| 11 | WP8546461 | Cam,Brake Release |
| 12 | WP63022 | SLEEVE,CAM |
| 13 | 285790 | DRIVER,BRAKE CAM |
| 14 | | |
| 14 | 285208 | LUBRICANT (USE ONLY IN BRAKE SHOE ASSEMBLY ON ROLLER AND PIN) - NLA |
| 14 | WPW10083200 | RING,RETAINING |

7MWT97920SW0



7MWT97920SW0

| | | |
|----|-----------|-----------------------------------|
| 1 | 3360629 | GEARCASE (COMPLETE) |
| 2 | 285202 | COVER,GEARCASE |
| 3 | WP3349985 | SEAL,GEARCASE COVER |
| 4 | WP285195 | SEALER,GASKET (.20 FL. OZ.) (6ML) |
| 5 | 285362 | PINION,SPIN |
| 6 | WP356427 | SEAL,DRIVE TUBE |
| 7 | WP389387 | SHAFT,AGITATOR |
| 8 | 90369 | RING,RETAINING - NLA |
| 9 | 62677 | RETAINER,SPRING |
| 10 | 62676 | SPRING,AGITATOR - NLA |
| 11 | 285509 | GEAR,AGITATE |
| 12 | 62619 | WASHER,AGITATOR GEAR |
| 13 | 285206 | FOLLOWER,CAM |
| 14 | 285206 | CAM,AGITATE |
| 15 | 285509 | SHAFT,AGITATOR |
| 16 | 62618 | WASHER,CAM THRUST - NLA |
| 17 | 285205 | BEARING,AGITATOR THRUST |
| 18 | 285205 | BALL,BEARING |
| 19 | 285515 | BOTTOM AND PINION,GEARCASE |
| 20 | 3949116 | TERMINAL,GROUNDING TAB |
| 21 | 285352 | SEAL,THRUST PLUG |
| 22 | WP3351614 | SCREW |
| 23 | 285765 | RING,RETAINING |
| 24 | 285766 | THRUST WASHER KIT |
| 25 | 285362 | GEAR,SPIN |
| 26 | 388253 | NEUTRAL ASSEMBLY |
| 27 | WP8546456 | RACK,CONNECTING |
| 28 | WP62621 | ACTUATOR,SHIFT |

| | | |
|----|----------|---|
| 29 | WP388815 | WASHER,INTERMEDIATE |
| | | |
| | 280129A | Siphon Break Kit |
| | 280130A | Drain Hose Adapter Kit |
| | 40922 | Drain Hose Extension Kit |
| | WP285195 | SEALER,GASKET (.20 FL. OZ.) (6ML) |
| | 285208 | LUBRICANT (USE ONLY IN BRAKE SHOE ASSEMBLY ON ROLLER AND PIN) - NLA |
| | 350572 | OIL,GEARCASE |
| | 350930 | PAINT,PRESSURIZED SPRAY (12 OZ. WHITE) |
| | 350938 | PAINT,PRESSURIZED SPRAY (12 OZ. GRAY PRIMER) |
| | 367031 | WATER SYSTEM PARTS,DRAIN PROTECTOR - NLA |
| | 4392899 | PAINT,TOUCH-UP (1/2OZ. BISCUIT/BISQUE) |
| | 4392900 | PAINT,BULK (1 QT. BISCUIT/BISQUE) |
| | 4392901 | PAINT,PRESSURIZED SPRAY (12 OZ. BISCUIT/BISQUE) |
| | 72017 | PAINT,TOUCH-UP (1/2OZ. WHITE) |
| | 799344 | PAINT,BULK (1 QT. WHITE (UNCUT))+B33B30:C44A21:CA1:C44 |

***NOTA: SI EL CODIGO DEL ARTICULO QUE NECESITA NO APARECE EN NUESTRA PAGINA WEB, ES PROBABLE QUE SEA SOBRE PEDIDO O ESTE OBSOLETO.**

FAVOR DE COMUNICARSE A NUESTRAS OFICINAS PARA MAYOR INFORMACION

TELEFONOS: 83377949, 83377999 Y 83373889.