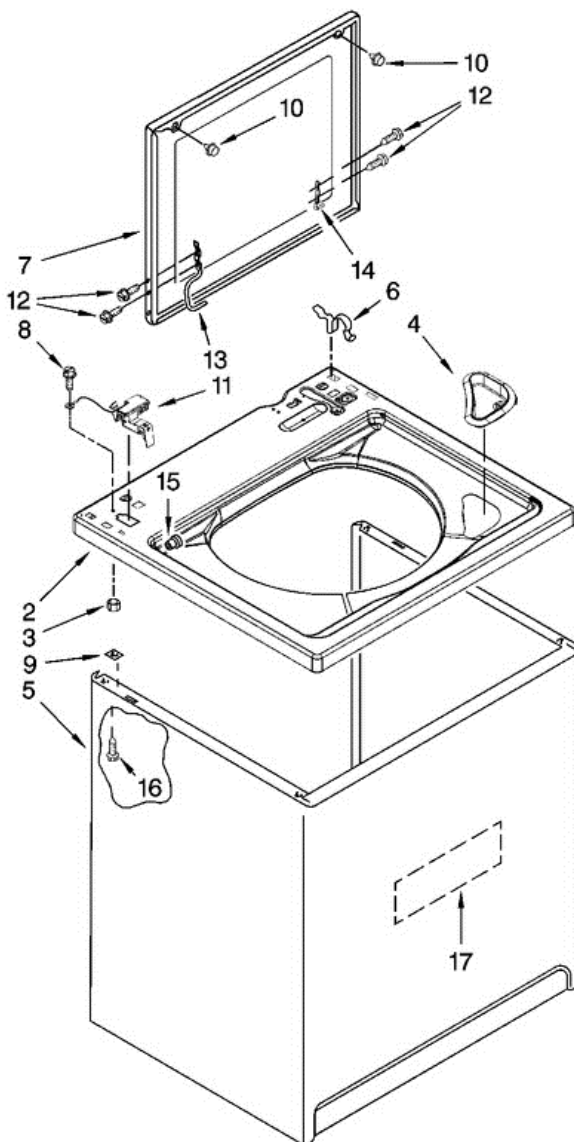


7MWT98820WM0 GABINETE





7MWT98820WM0 GABINETE

2	W10194572	TOP
3	8533959	NUT, HEX
4	W10192089	DISPENSER, BLEACH
5	63424	CABINET
6	62780	CLIP, TOP & CABINET & REAR PANEL (2)
7	W10171313	LID
8	3351614	SCREW, GROUND
9	62750	SPACER, CABINET TO TOP (4)
10	9724509	BUMPER, LID (2)
11	8318084	SWITCH, LID
12	W10119828	SCREW, LID HINGE MOUNTING (4)
13	W10225136	HINGE, LID (L.H.)
14	91770	HINGE, LID (R.H.)
15	8319539	BEARING, LID HINGE (2)
16	W10165554	SCREW, 10-16 X 3/8 (4)
17	W10177046	CABINET-DAMPER, SOUND

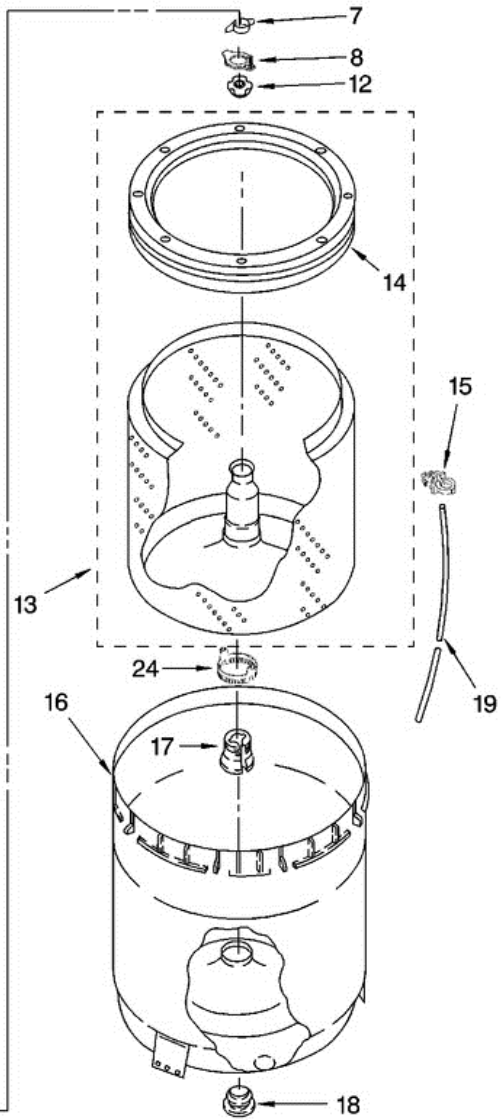
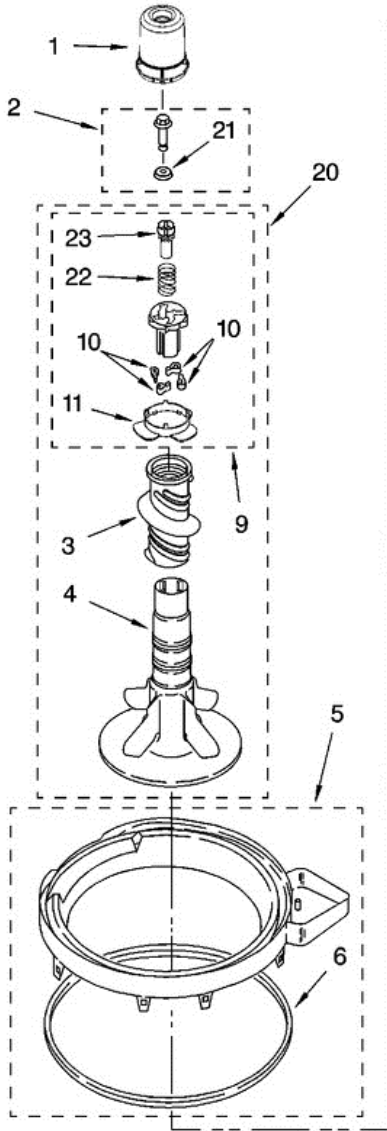


7MWT98820WM0 TABLERO

1	W10242307	WASHER, WATER INLET HOSE (4) (1-1/16 X 5/8)
2	8578537	SWITCH, ROTARY
3	W10194210	HOSE, WATER INLET (2) (COLD WATER)
3	W10196191	HOSE, WATER INLET (2) (HOT WATER)
4	9740848	SCREW, 8-18 X 1/2
5	8568314	STRAP, CONSOLE (2)
6	W10194449	PANEL, REAR
7	62747	PAD, REAR PANEL
8	W10189267	HOSE, DRAIN ASSEMBLY (INCLUDES ITEM 19)
9	8577787	TIMER, CONTROL (60 HZ.)
10	8055003	CLIP, HARNESS & PRESSURE HOSE
11	90767	SCREW, 8-18 X 3/8
12	8577843	SWITCH, WATER LEVEL
13	8566003	BRACKET, CONTROL
14	W10115689	CORD, POWER (INCLUDES ITEM 15)
15	3952821	STRAIN RELIEF, POWER CORD
16	8566035	CAP, END (L.H.) (INCLUDES ITEM 34)
17	8566032	CAP, END (R.H.) (INCLUDES ITEM 34)
18	3979347	VALVE, WATER INLET W/THERMISTOR
19	8541668	CLAMP, HOSE
20	3400073	SCREW, GROUND
21	301958	CLAMP, HOSE
22	W10190501	HOSE, VACUUM BREAK
23	370450	CLAMP, HOSE
24	W10190514	BREAK, VACUUM
25	3351614	SCREW, GROUND
26	8318046	CLIP, CAPACITOR
27	8572717	CAPACITOR, MOTOR START
28	8314879	SHIELD, INLET VALVE
29	8536939	CLIP, KNOB
30	3363366	CLAMP, HOSE
31	8317496	CLAMP, HOSE
32	3951449	HOSE, PUMP TO TUB (INCLUDES ITEM 30)

33	8578411	CIRCUIT BOARD, AGITATION DELAY
34	8312709	CLIP, CONSOLE
35	3949187	SWITCH, ROTARY
36	3400818	SCREW, TIMER MOUNTING
37	W10184148	SWITCH, WATER TEMPERATURE (ATC)
38	62863	SCREW, 10-16 X 3/8
39	W10244044	PANEL, CONSOLE
40	8577378	U-BEND, DRAIN HOSE
41	3347868	CABLE TIE
42	8566022	KNOB, TIMER
43	8566018	DIAL, TIMER
44	8565944	KNOB, CONTROL
45	8519200	SUPPORT, REAR PANEL
46	W10152823	HARNESS, WIRING (INCLUDES ITEM 2)

7MWT98820WM0 TINAS

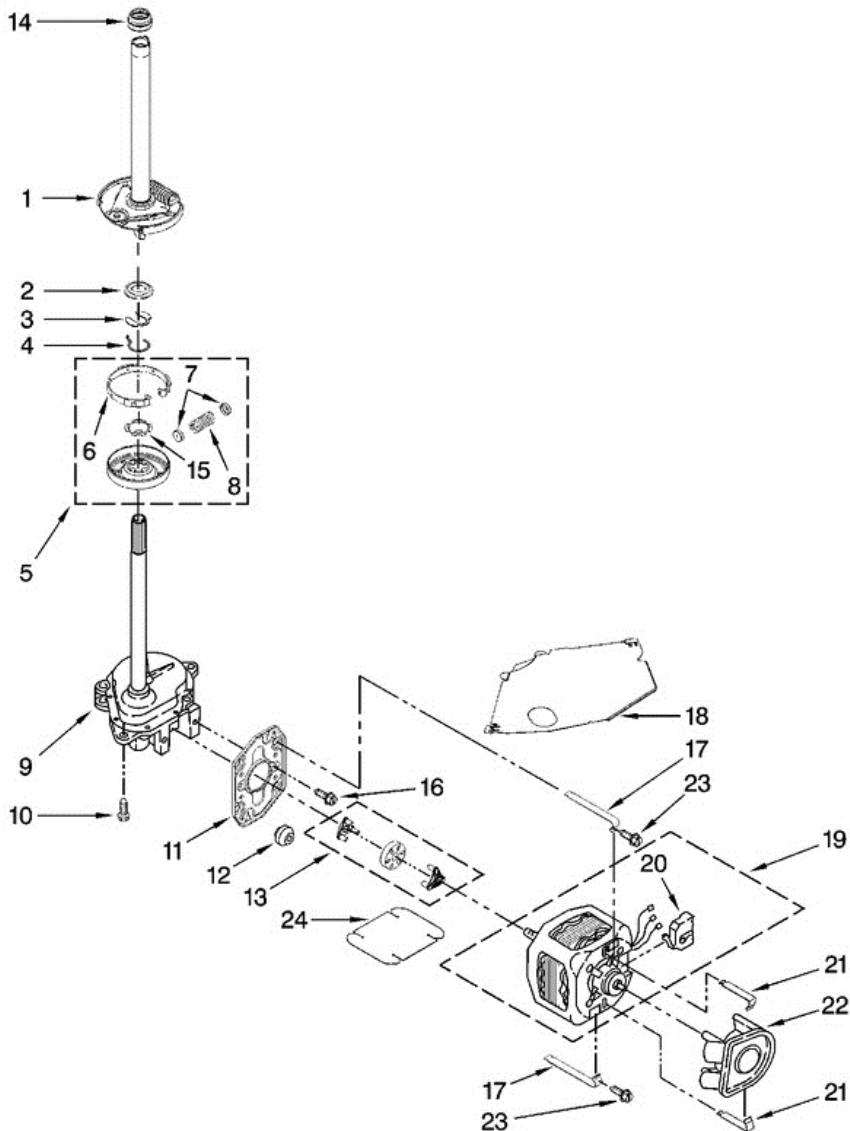




7MWT98820WM0 TINAS

1	8528278	DISPENSER
2	358237	SCREW & WASHER (5-16-24 X 1)
3	3946996	AUGER, AGITATOR
4	3947517	AGITATOR
5	8528150	TUB RING & GASKET
6	3976308	GASKET, TUB RING
7	3354845	CLIP, AGITATOR
8	8543666	WASHER, AGITATOR
9	8537433	CAM, DRIVEN
10	3366877	DOG, AGITATOR CLUTCH (4)
11	8055141	BEARING-DRIVEN CAM
12	21366	NUT, SPANNER
13	8526016	BASKET & BALANCE RING
14	387240	BALANCE RING
15	2219077	CLIP, PRESSURE SWITCH HOSE
16	63849	TUB
17	389140	BLOCK, BASKET DRIVE
18	383727	GASKET, CENTERPOST
19	3347780	HOSE, PRESSURE SWITCH
20	8538246	AGITATOR (COMPLETE)
21	3949550	WASHER
22	3946997	SPRING, COMPRESSION
23	8533540	RETAINER, SPRING
24	8577198	FILTER, LINT

7MWT98820WM0 MOTOR

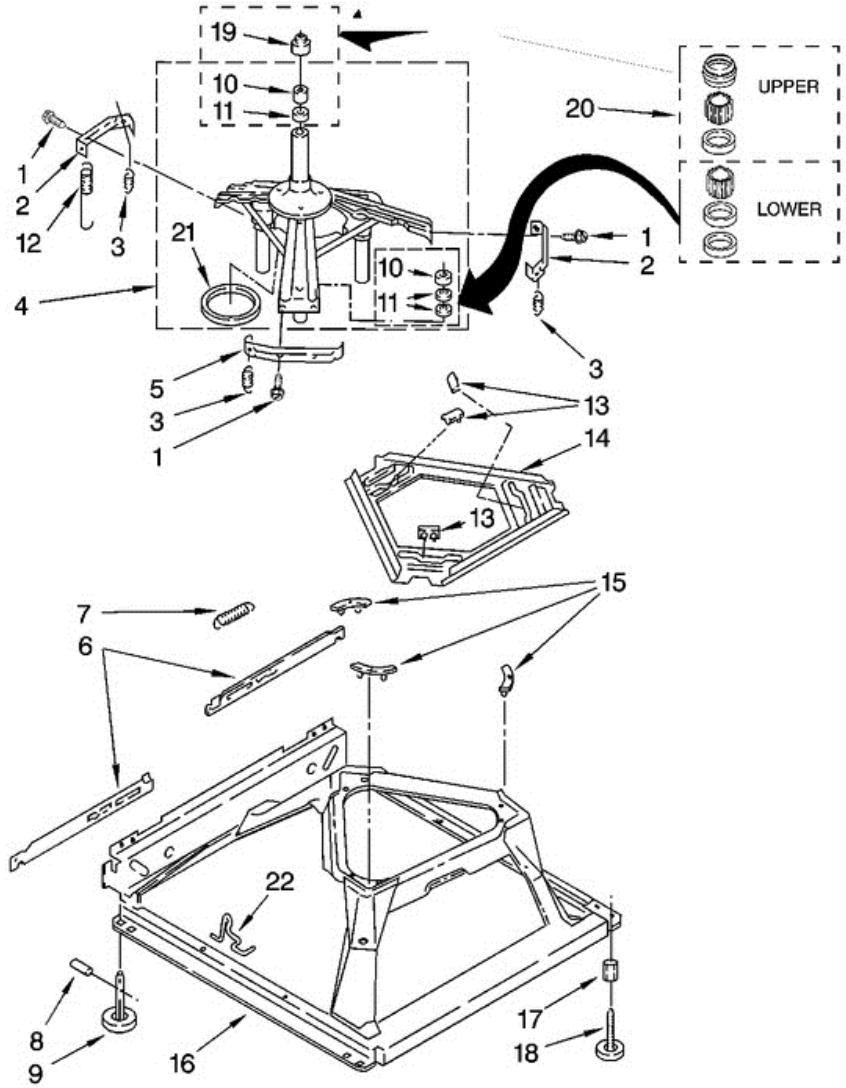




7MWT98820WM0 MOTOR

1	388952	BRAKE & DRIVE TUBE (COMPLETE)
2	63292	WASHER, SPIN TUBE THRUST
3	62697	RING, SPIN TUBE SUPPORT
4	63283	RING, RETAINER
5	3951311	CLUTCH (COMPLETE)
6	3951308	BAND & LINING, CLUTCH (INCLUDES ITEMS 7 & 8)
7	62646	CAP, CLUTCH SPRING (2)
8	3946792	SPRING, CLUTCH
9	8532118	GEARCASE (COMPLETE)
10	3357334	SCREW, GEARCASE TO BASE (3)
11	62611	PLATE, MOTOR MOUNT TO GEARCASE
12	62691	GROMMET, MOTOR (4)
13	3364003	COUPLING, MOTOR & ISOLATION
14	8577374	SEAL
15	3355454	CLIP, ANTI-RATTLE
16	3400516	SCREW
17	W10086010	RETAINER, MOTOR (2)
18	3362089	SHIELD, TUB TO MOTOR
19	8528157	MOTOR, MAIN DRIVE
20	3952056	SWITCH, MAIN DRIVE MOTOR
21	8546127	RETAINER, PUMP (2)
22	3363394	PUMP (COMPLETE)
23	3387485	SCREW, 10-16 X 5/8
24	3946532	SHIELD, MOTOR

7MWT98820WM0 BASE

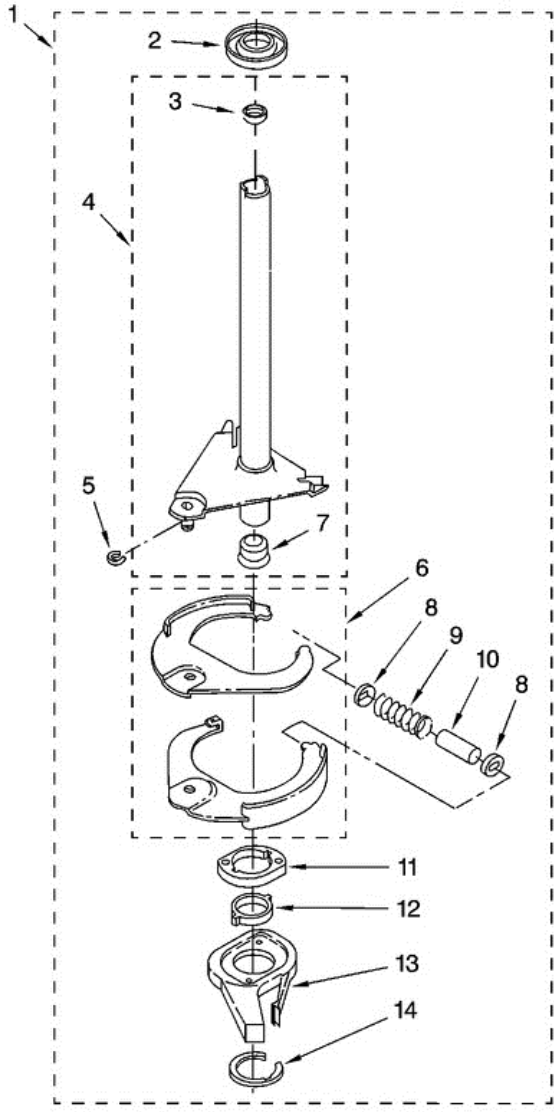




7MWT98820WM0 BASE

1	3400076	SCREW, BRACKET MOUNTING (10-32 X 5/8)
2	64067	BRACKET, SPRING OUTER (2)
3	63907	SPRING, SUSPENSION (3)
4	8575214	SUPPORT & BRAKE, TUB
5	64065	BRACKET, SPRING OUTER (L.F.)
6	63466	LINK, LEVELING MECHANISM (2)
7	62597	SPRING, LEVELING MECHANISM
8	62837	PIN, KNURLED
9	62596	FOOT, REAR (2)
10	8546455	BEARING, CENTERPOST (2)
11	357409	SEAL, CENTERPOST (3)
12	388492	SPRING, COUNTERWEIGHT
13	62568	PAD, PLATE
14	3946509	PLATE, SUSPENSION (INCLUDES ITEM 13)
15	3363660	PAD, BASE
16	3946512	BASE ASSEMBLY (INCLUDES 6, 7, 8, 9, 13, 14, 15 & 22)
17	3359452	NUT, LOCK (2) (3/8-16)
18	W10001130	FOOT, FRONT (2)
19	8577376	SEAL, CENTERPOST
20	285203	CENTERPOST BEARING KIT (INCLUDES 10, 11 & 19)
21	63134	RING, SOUND DEADENING
22	W10145155	RETAINER, SUSPENSION SPRING

7MWT98820WM0 FLECHA HUECA

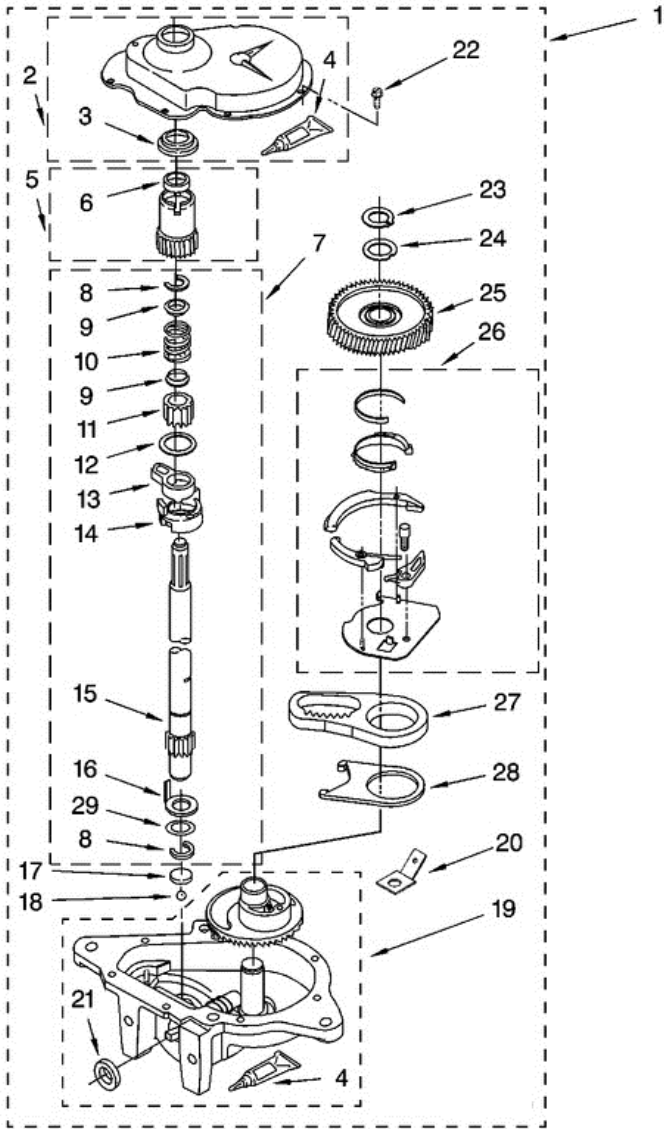




7MWT98820WM0 FLECHA HUECA

1	388952	BRAKE AND DRIVE TUBE (COMPLETE)
2	62658	RING, THRUST
3	356427	SEAL, DRIVE TUBE
4	64027	TUBE, BASKET DRIVE (INCLUDES ILLUS. 3, 4, 5 & 9)
5	64035	RING, RETAINING
6	64232	SHOE, BRAKE (2)
7	62703	``T`` BEARING, SPIN TUBE
8	3353956	CAP, BRAKE SPRING (2)
9	387806	SPRING, BRAKE
10	3355360	SLEEVE, BRAKE SPRING
11	661516	CAM, BRAKE RELEASE
12	63022	SLEEVE, CAM
13	64194	DRIVER, BRAKE CAM
14	90368	RING, RETAINING

7MWT98820WM0 TRANSMISION





7MWT98820WM0 TRANSMISION

1	8532118	GEARCASE (COMPLETE)
2	285202	COVER, GEARCASE
3	3349985	SEAL, GEARCASE COVER
4	285195	SEALER, GASKET (.20 FL. OZ.) (6 ML)
5	63320	PINION, SPIN (INCLUDES ILLUS. 25)
6	356427	SEAL, SPIN PINION
7	389387	SHAFT, AGITATOR (COMPLETE)
8	90369	RING, RETAINING (2)
9	62677	RETAINER, SPRING (2)
10	62676	SPRING, AGITATE
11	63273	GEAR, AGITATE (INCLUDES 15 & 29)
12	62619	WASHER, AGITATE GEAR
13	62580	CAM FOLLOWER (INCLUDES 14)
14	62581	CAM, AGITATE (INCLUDES 13)
15	285509	SHAFT, AGITATOR (INCLUDES 11 & 29)
16	62618	WASHER, CAM THRUST
17	16018	BEARING, THRUST (INCLUDES 18)
18	85529	BALL, BEARING (INCLUDES 17)
19	389230	BOTTOM AND PINION, GEARCASE
20	3949116	BLOCK TAB, TERMINAL
21	285352	SEAL, THRUST PLUG
22	3351614	SCREW, GEARCASE COVER MOUNTING (8)
23	3362552	RING, RETAINING
24	285735	WASHER KIT, THRUST
25	62570	GEAR, SPIN
26	388253	NEUTRAL ASSEMBLY
27	3349296	RACK, CONNECTING
28	62621	ACTUATOR, SHIFT
29	388815	WASHER, INTERMEDIATE