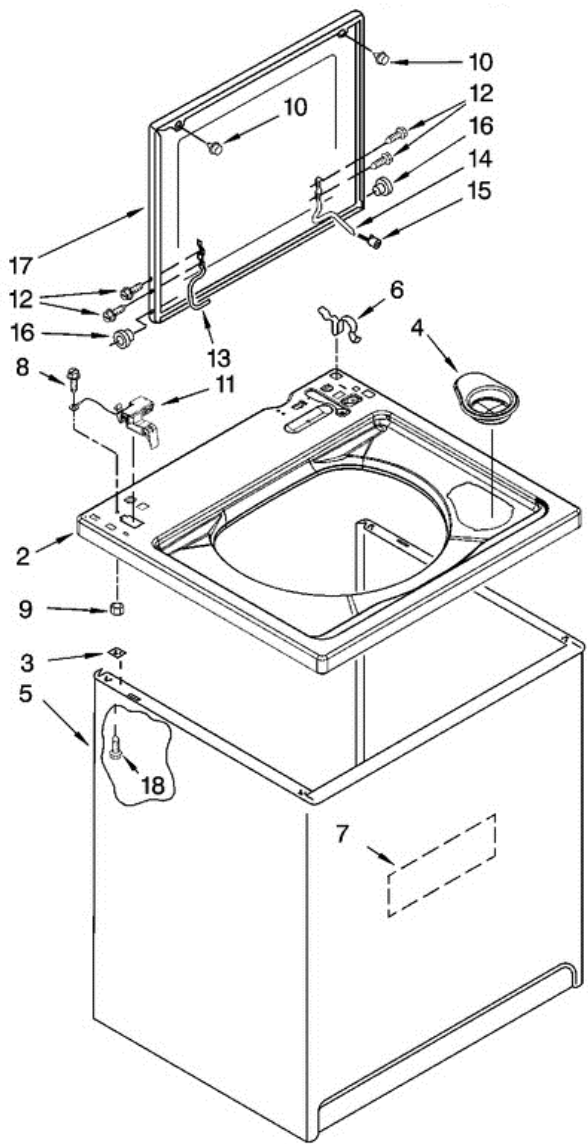


**7MWT98910TM0 GABINETE**





## 7MWT98910TM0 GABINETE

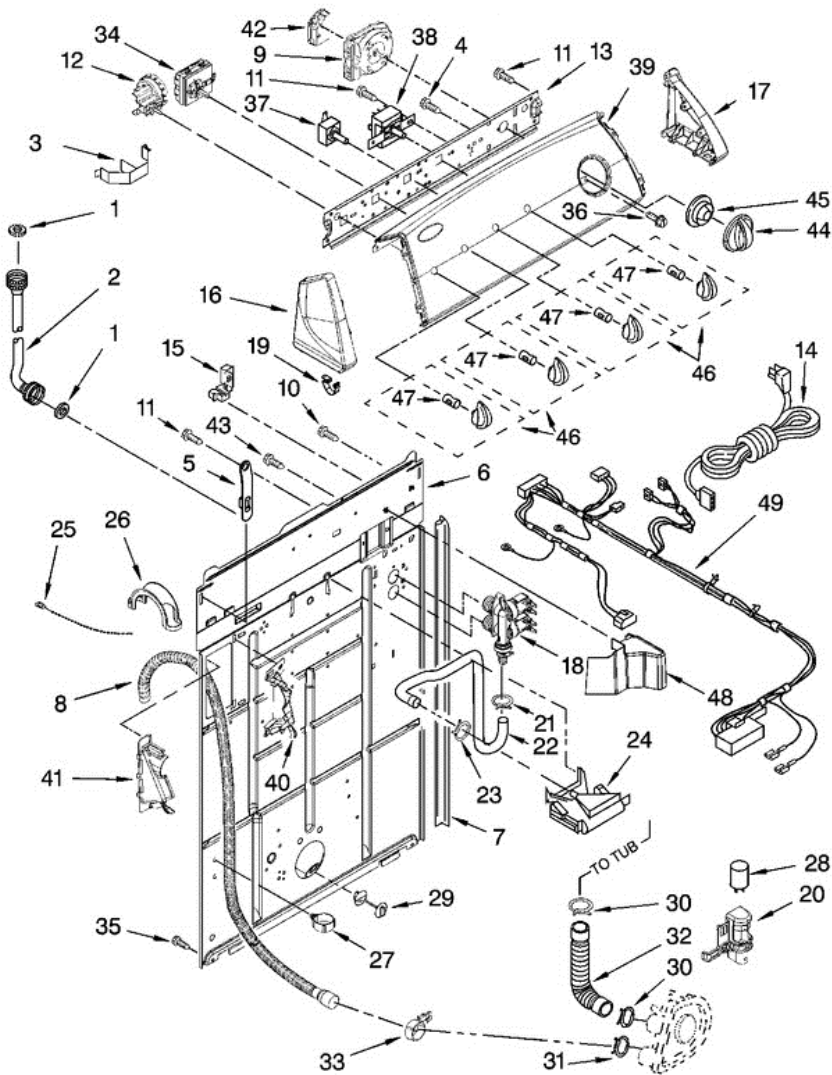
|    |           |                                      |
|----|-----------|--------------------------------------|
| 2  | 8543488   | TOP                                  |
| 3  | 62750     | SPACER, CABINET TO TOP (4)           |
| 4  | 8566266   | DISPENSER, BLEACH                    |
| 5  | 63424     | CABINET                              |
| 6  | 62780     | CLIP, TOP & CABINET & REAR PANEL (2) |
| 7  | 3976348   | SOUND ABSORBER (CABINET)             |
| 8  | 3351614   | SCREW, GROUND                        |
| 9  | 8533959   | NUT, HEX                             |
| 10 | 9724509   | BUMPER, LID (2)                      |
| 11 | 8318084   | SWITCH, LID                          |
| 12 | W10119828 | SCREW, LID HINGE MOUNTING (4)        |
| 13 | 8559336   | HINGE, LID (L.H.)                    |
| 14 | 54583     | HINGE, LID (R.H.)                    |
| 15 | 19119     | BUMPER, LID HINGE                    |
| 16 | 8319539   | BEARING, LID HINGE (2)               |
| 17 | 8530100   | LID                                  |
| 18 | 3390631   | SCREW, 10-16 X 3/8 (4)               |

Distribuidor Autorizado

SurteRápido.com

Venta de Refacciones  
Electrodomesticas

## 7MWT98910TM0 TABLERO



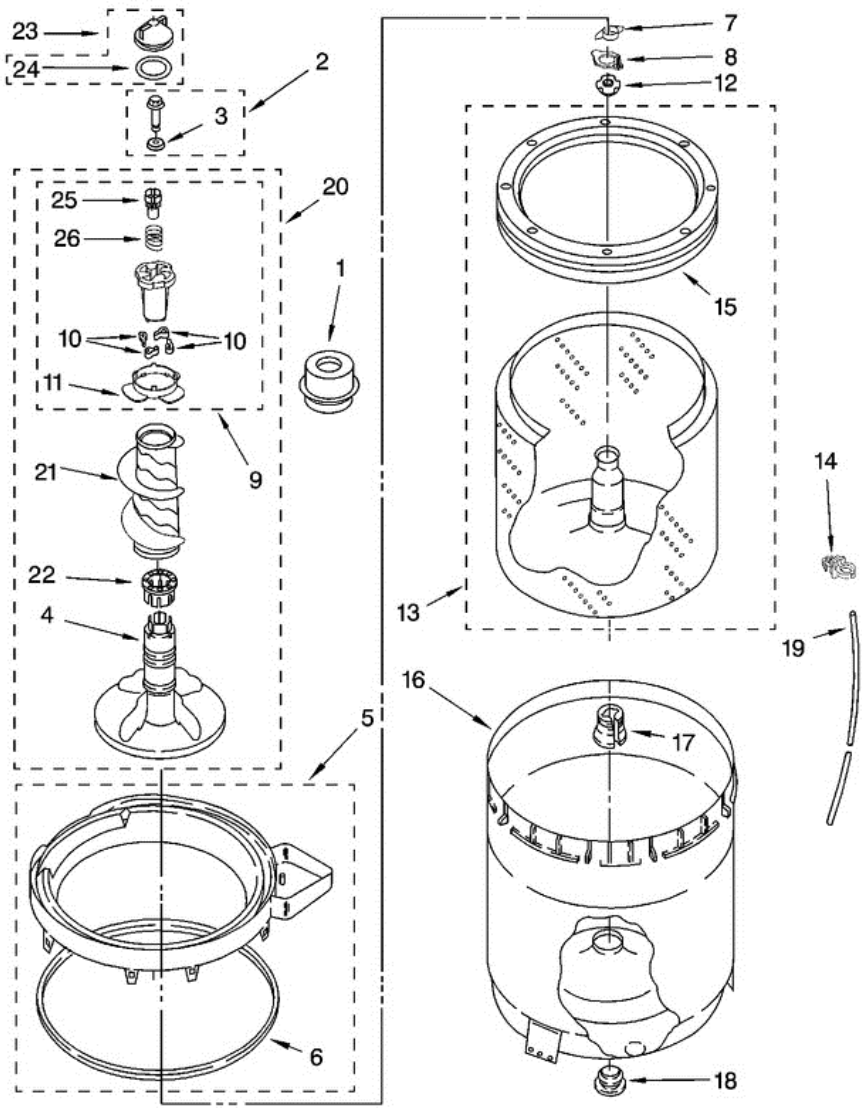


## 7MWT98910TM0 TABLERO

|    |           |  |
|----|-----------|--|
| 1  | 3976300   | WASHER, WATER INLET HOSE (4) (1-1/16 X 5/8)  |
| 2  | 8571377   | HOSE, WATER INLET (2) (BLUE COUPLER)         |
| 2  | 8571378   | HOSE, WATER INLET (2) (RED COUPLER)          |
| 3  | 8055003   | CLIP, HARNESS & PRESSURE HOSE                |
| 4  | 3400073   | SCREW, GROUND                                |
| 5  | 8568314   | STRAP, CONSOLE (2)                           |
| 6  | 8318015   | PANEL, REAR                                  |
| 7  | 62747     | PAD, REAR PANEL                              |
| 8  | W10122138 | DRAIN HOSE ASSEMBLY (INCLUDES ITEMS 27 & 33) |
| 9  | 8577787   | TIMER, CONTROL (60 HZ.)                      |
| 10 | 3351614   | SCREW, GROUND                                |
| 11 | 90767     | SCREW, 8-18 X 3/8                            |
| 12 | 8577843   | SWITCH, WATER LEVEL                          |
| 13 | 8566003   | BRACKET, CONTROL                             |
| 14 | W10115689 | CORD, POWER (INCLUDES ITEM 15)               |
| 15 | 3952821   | STRAIN RELIEF, POWER CORD                    |
| 16 | 8565957   | CAP, END (L.H.) (INCLUDES ITEM 19)           |
| 17 | 8565954   | CAP, END (R.H.) (INCLUDES ITEM 19)           |
| 18 | 3979347   | VALVE, WATER INLET & THERMISTOR ASSY.        |
| 19 | 8312709   | CLIP, CONSOLE                                |
| 20 | 8318046   | CLIP, CAPACITOR                              |
| 21 | 301958    | CLAMP, HOSE                                  |
| 22 | 8317974   | HOSE, VACUUM BREAK                           |
| 23 | 370450    | CLAMP, HOSE                                  |
| 24 | 387606    | BREAK, VACUUM                                |
| 25 | 3347868   | CABLE TIE                                    |
| 26 | 8577378   | U-BEND, DRAIN HOSE                           |
| 27 | 8541667   | CLAMP, HOSE                                  |
| 28 | 8572717   | CAPACITOR, MOTOR START                       |
| 29 | 8519200   | SUPPORT, REAR PANEL                          |
| 30 | 3363366   | CLAMP, HOSE                                  |
| 31 | 8317496   | CLAMP, HOSE                                  |
| 32 | 3951449   | HOSE, PUMP TO TUB (INCLUDES ITEM 30)         |

|    |           |                                   |
|----|-----------|-----------------------------------|
| 33 | 8541668   | CLAMP, HOSE                       |
| 34 | W10113058 | SWITCH, WATER TEMPERATURE (ATC)   |
| 35 | 62863     | SCREW, 10-16 X 3/8                |
| 36 | 3400818   | SCREW, TIMER MOUNTING             |
| 37 | 3949187   | SWITCH, ROTARY                    |
| 38 | 8578537   | SWITCH, ROTARY                    |
| 39 | W10115438 | PANEL, CONSOLE                    |
| 40 | 8541669   | BUCKET, DRAIN HOSE (LEFT HALF)    |
| 41 | 8541658   | BUCKET, DRAIN HOSE (RIGHT HALF)   |
| 42 | 8578411   | CIRCUIT BOARD, AGITATION DELAY    |
| 43 | 9740848   | SCREW, 8-18 X 1/2                 |
| 44 | 8566022   | KNOB, TIMER                       |
| 45 | 8566018   | DIAL, TIMER                       |
| 46 | 8565944   | KNOB, CONTROL                     |
| 47 | 8536939   | CLIP, KNOB                        |
| 48 | 8314879   | SHIELD, INLET VALVE               |
| 49 | W10152823 | HARNES, WIRING (INCLUDES ITEM 38) |

**7MWT98910TMO TINAS**

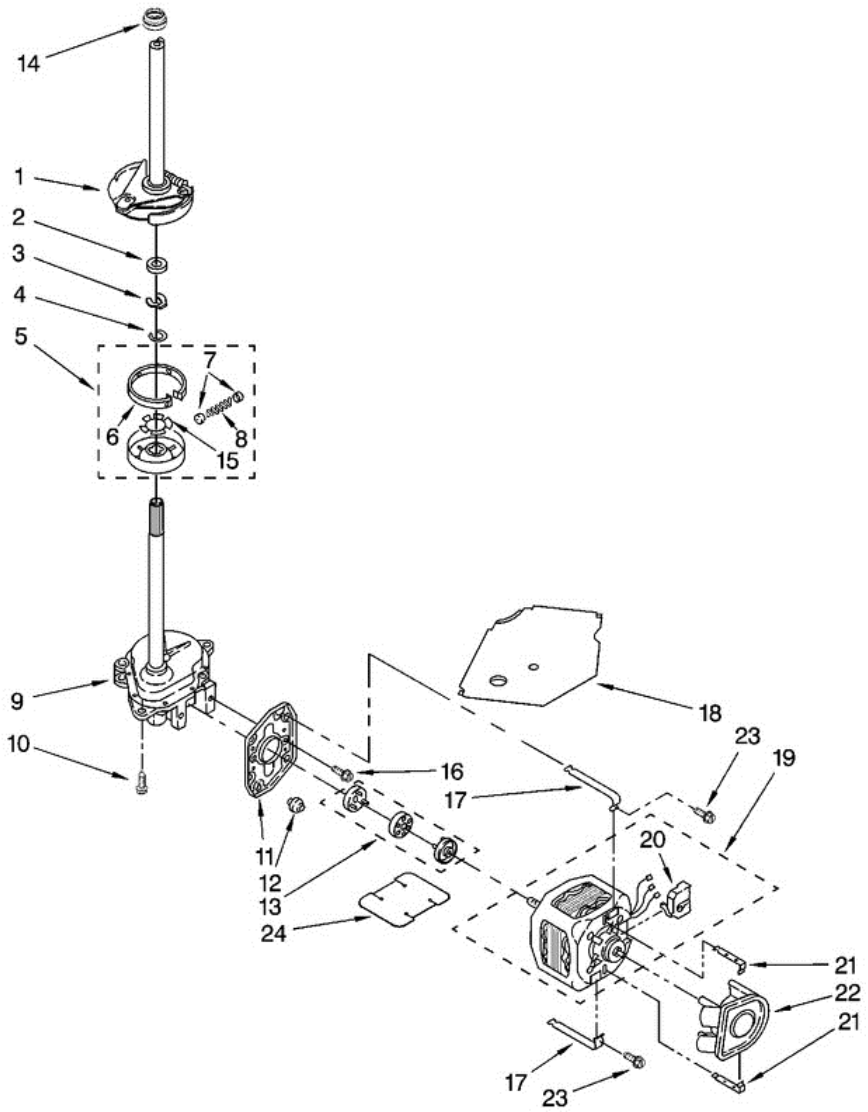




## 7MWT98910TMO TINAS

|    |           |                              |
|----|-----------|------------------------------|
| 1  | 8580006   | DISPENSER, FABRIC SOFTENER   |
| 2  | 358237    | SCREW & WASHER (5-16-24 X 1) |
| 3  | 3949550   | WASHER                       |
| 4  | 8578209   | AGITATOR                     |
| 5  | W10093698 | TUB RING & GASKET            |
| 6  | 3976308   | SEAL, TUB RING               |
| 7  | 3354845   | CLIP, AGITATOR               |
| 8  | 8543666   | WASHER, AGITATOR             |
| 9  | 8537434   | CAM, DRIVEN                  |
| 10 | 3366877   | DOG, AGITATOR CLUTCH (4)     |
| 11 | 8055141   | BEARING-DRIVEN CAM           |
| 12 | 21366     | NUT, SPANNER                 |
| 13 | 8526016   | BASKET & BALANCE RING        |
| 14 | 2219077   | CLIP, PRESSURE SWITCH HOSE   |
| 15 | 8519788   | BALANCE RING                 |
| 16 | 63849     | TUB                          |
| 17 | 389140    | BLOCK, BASKET DRIVE          |
| 18 | 383727    | GASKET, CENTERPOST           |
| 19 | 3347780   | HOSE, PRESSURE SWITCH        |
| 20 | 8578210   | AGITATOR (COMPLETE)          |
| 21 | 8054468   | AUGER, AGITATOR              |
| 22 | 8055228   | SPACER, THRUST               |
| 23 | 3354733   | CAP, BARRIER                 |
| 24 | W10072840 | SEAL, INNER CAP              |
| 25 | 8533540   | RETAINER, SPRING             |
| 26 | 8055140   | SPRING, COMPRESSION          |

**7MWT98910TM0 MOTOR**



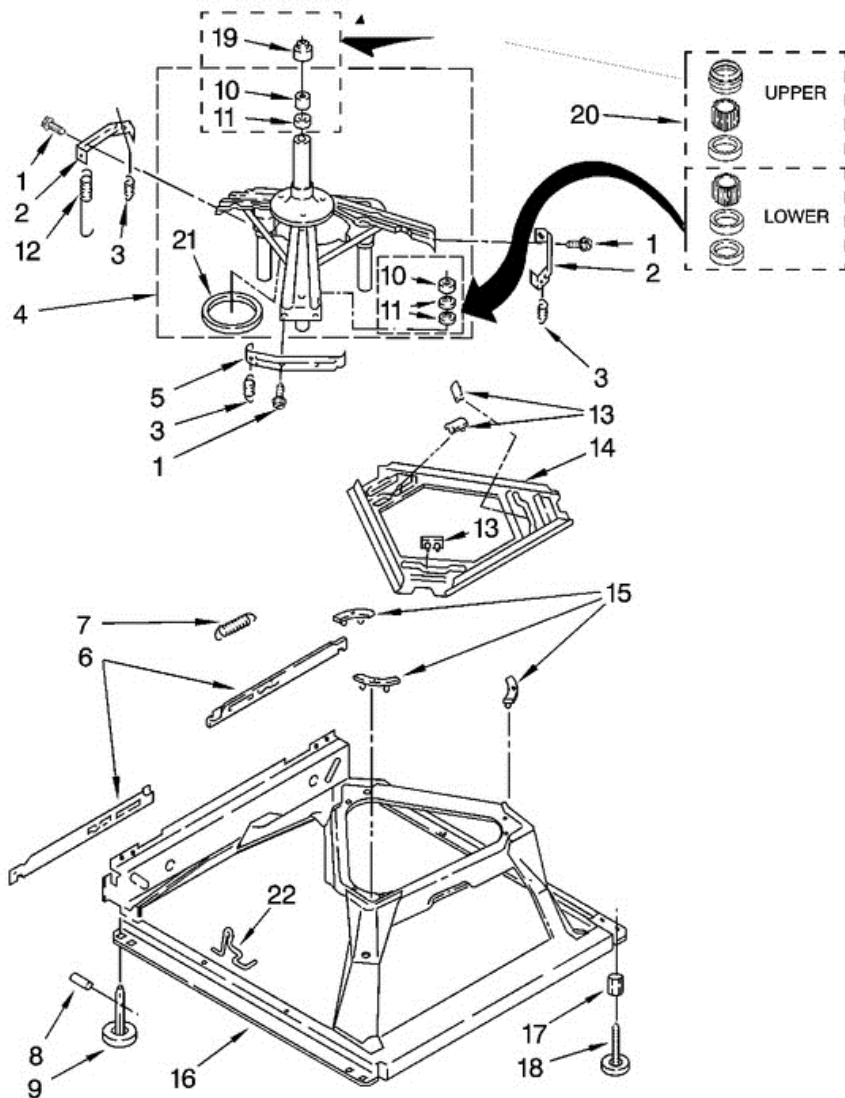




## 7MWT98910TM0 MOTOR

|    |           |  |
|----|-----------|--|
| 1  | 388952    | BRAKE & DRIVE TUBE (COMPLETE)                |
| 2  | 63292     | WASHER, SPIN TUBE THRUST                     |
| 3  | 62697     | RING, SPIN TUBE SUPPORT                      |
| 4  | 63283     | RING, RETAINER                               |
| 5  | 3951311   | CLUTCH (COMPLETE)                            |
| 6  | 3951308   | BAND & LINING, CLUTCH (INCLUDES ITEMS 7 & 8) |
| 7  | 62646     | CAP, CLUTCH SPRING (2)                       |
| 8  | 3946792   | SPRING, CLUTCH                               |
| 9  | 8532118   | GEARCASE (COMPLETE)                          |
| 10 | 3357334   | SCREW, GEARCASE TO BASE (3)                  |
| 11 | 62611     | PLATE, MOTOR MOUNT TO GEARCASE               |
| 12 | 62691     | GROMMET, MOTOR (4)                           |
| 13 | 3364003   | COUPLING, MOTOR & ISOLATION                  |
| 14 | 8577374   | SEAL   |
| 15 | 3355454   | CLIP, ANTI-RATTLE                            |
| 16 | 3400516   | SCREW  |
| 17 | W10086010 | RETAINER, MOTOR (2)                          |
| 18 | 3362089   | SHIELD, TUB TO MOTOR                         |
| 19 | 8528157   | MOTOR, MAIN DRIVE                            |
| 20 | 3952056   | SWITCH, MAIN DRIVE MOTOR                     |
| 21 | 8546127   | RETAINER, PUMP (2)                           |
| 22 | 3363394   | PUMP (COMPLETE)                              |
| 23 | 3387485   | SCREW, 10-16 X 5/8                           |
| 24 | 8316060   | SHIELD, MOTOR                                |

**7MWT98910TM0 BASE**

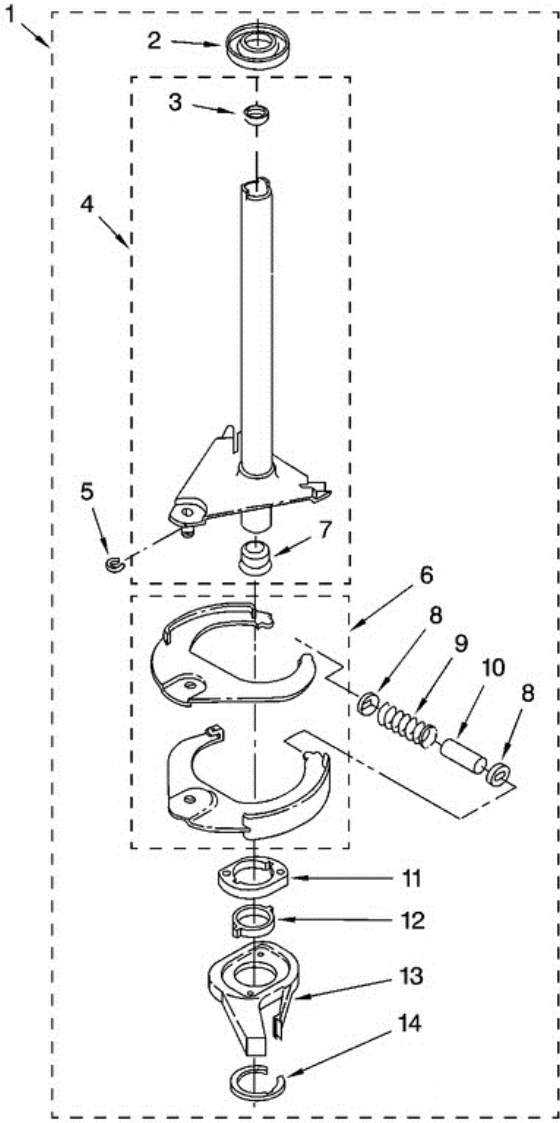




## 7MWT98910TMO BASE

|    |           |  |
|----|-----------|--|
| 1  | 3400076   | SCREW, BRACKET MOUNTING (10-32 X 5/8)                |
| 2  | 64067     | BRACKET, SPRING OUTER (2)                            |
| 3  | 63907     | SPRING, SUSPENSION (3)                               |
| 4  | 8575214   | SUPPORT & BRAKE, TUB                                 |
| 5  | 64065     | BRACKET, SPRING OUTER (L.F.)                         |
| 6  | 63466     | LINK, LEVELING MECHANISM (2)                         |
| 7  | 62597     | SPRING, LEVELING MECHANISM                           |
| 8  | 62837     | PIN, KNURLED   |
| 9  | 62596     | FOOT, REAR (2)                                       |
| 10 | 8546455   | BEARING, CENTERPOST (2)                              |
| 11 | 357409    | SEAL, CENTERPOST (3)                                 |
| 12 | 388492    | SPRING, COUNTERWEIGHT                                |
| 13 | 62568     | PAD, PLATE   |
| 14 | 3946509   | PLATE, SUSPENSION (INCLUDES ITEM 13)                 |
| 15 | 3363660   | PAD, BASE  |
| 16 | 3946512   | BASE ASSEMBLY (INCLUDES 6, 7, 8, 9, 13, 14, 15 & 22) |
| 17 | 3359452   | NUT, LOCK (2) (3/8-16)                               |
| 18 | W10001130 | FOOT, FRONT (2)                                      |
| 19 | 8577376   | SEAL, CENTERPOST                                     |
| 20 | 285203    | CENTERPOST BEARING KIT (INCLUDES 10, 11 & 19)        |
| 21 | 63134     | RING, SOUND DEADENING                                |
| 22 | W10145155 | RETAINER, SUSPENSION SPRING                          |

**7MWT98910TM0 FLECHA HUECA**

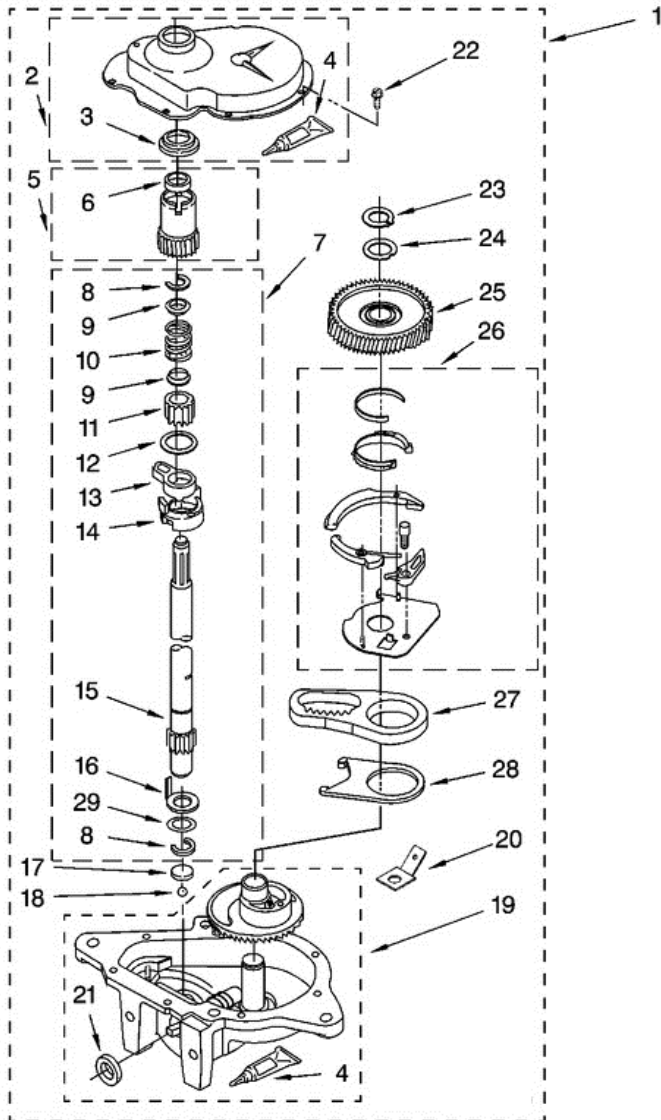




**7MWT98910TM0 FLECHA HUECA**

|    |         |  |
|----|---------|--|
| 1  | 388952  | BRAKE AND DRIVE TUBE (COMPLETE)                  |
| 2  | 62658   | RING, THRUST                                     |
| 3  | 356427  | SEAL, DRIVE TUBE                                 |
| 4  | 64027   | TUBE, BASKET DRIVE (INCLUDES ILLUS. 3, 4, 5 & 9) |
| 5  | 64035   | RING, RETAINING                                  |
| 6  | 64232   | SHOE, BRAKE (2)                                  |
| 7  | 62703   | ``T`` BEARING, SPIN TUBE                         |
| 8  | 3353956 | CAP, BRAKE SPRING (2)                            |
| 9  | 387806  | SPRING, BRAKE                                    |
| 10 | 3355360 | SLEEVE, BRAKE SPRING                             |
| 11 | 661516  | CAM, BRAKE RELEASE                               |
| 12 | 63022   | SLEEVE, CAM                                      |
| 13 | 64194   | DRIVER, BRAKE CAM                                |
| 14 |         | FOLLOWING PARTS NOT ILLUSTRATED                  |
| 14 | 285208  | LUBRICANT  |
| 14 | 90368   | RING, RETAINING                                  |

**7MWT98910TM0 TRANSMISION**





## 7MWT98910TM0 TRANSMISION

|    |         |                                     |
|----|---------|-------------------------------------|
| 1  | 8532118 | GEARCASE (COMPLETE)                 |
| 2  | 285202  | COVER, GEARCASE                     |
| 3  | 3349985 | SEAL, GEARCASE COVER                |
| 4  | 285195  | SEALER, GASKET (.20 FL. OZ.) (6 ML) |
| 5  | 63320   | PINION, SPIN (INCLUDES ITEM 25)     |
| 6  | 356427  | SEAL, SPIN PINION                   |
| 7  | 389387  | SHAFT, AGITATOR (COMPLETE)          |
| 8  | 90369   | RING, RETAINING (2)                 |
| 9  | 62677   | RETAINER, SPRING (2)                |
| 10 | 62676   | SPRING, AGITATE                     |
| 11 | 63273   | GEAR, AGITATE (INCLUDES 15 & 29)    |
| 12 | 62619   | WASHER, AGITATE GEAR                |
| 13 | 62580   | CAM FOLLOWER (INCLUDES 14)          |
| 14 | 62581.0 | CAM, AGITATE (INCLUDES 13)          |
| 15 | 285509  | SHAFT, AGITATOR (INCLUDES 11 & 29)  |
| 16 | 62618   | WASHER, CAM THRUST                  |
| 17 | 16018   | BEARING, THRUST (INCLUDES 18)       |
| 18 | 85529   | BALL, BEARING (INCLUDES 17)         |
| 19 | 389230  | BOTTOM AND PINION, GEARCASE         |
| 20 | 3949116 | BLOCK TAB, TERMINAL                 |
| 21 | 285352  | SEAL, THRUST PLUG                   |
| 22 | 3351614 | SCREW, GEARCASE COVER MOUNTING (8)  |
| 23 | 3362552 | RING, RETAINING                     |
| 24 | 285735  | WASHER KIT, THRUST                  |
| 25 | 62570   | GEAR, SPIN                          |
| 26 | 388253  | NEUTRAL ASSEMBLY                    |
| 27 | 3349296 | RACK, CONNECTING                    |
| 28 | 62621   | ACTUATOR, SHIFT                     |
| 29 | 388815  | WASHER, INTERMEDIATE                |