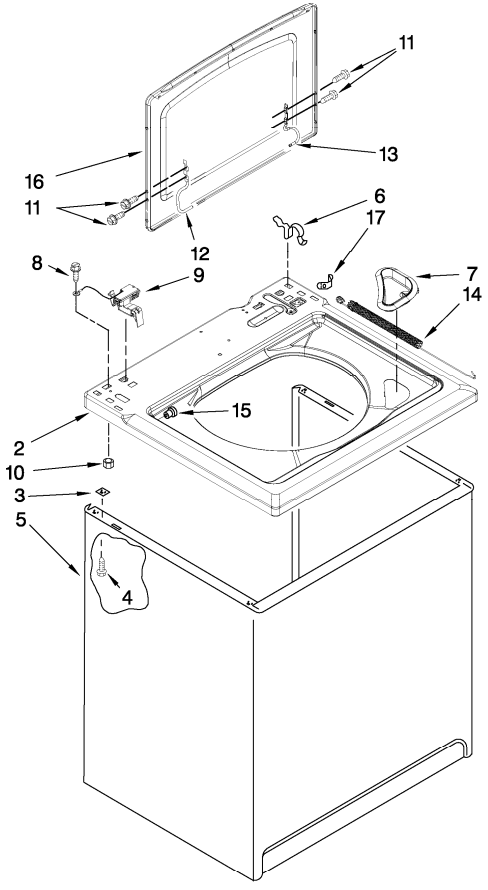


7MWT98920WQ0 GABINETE





7MWT98920WQ0 GABINETE

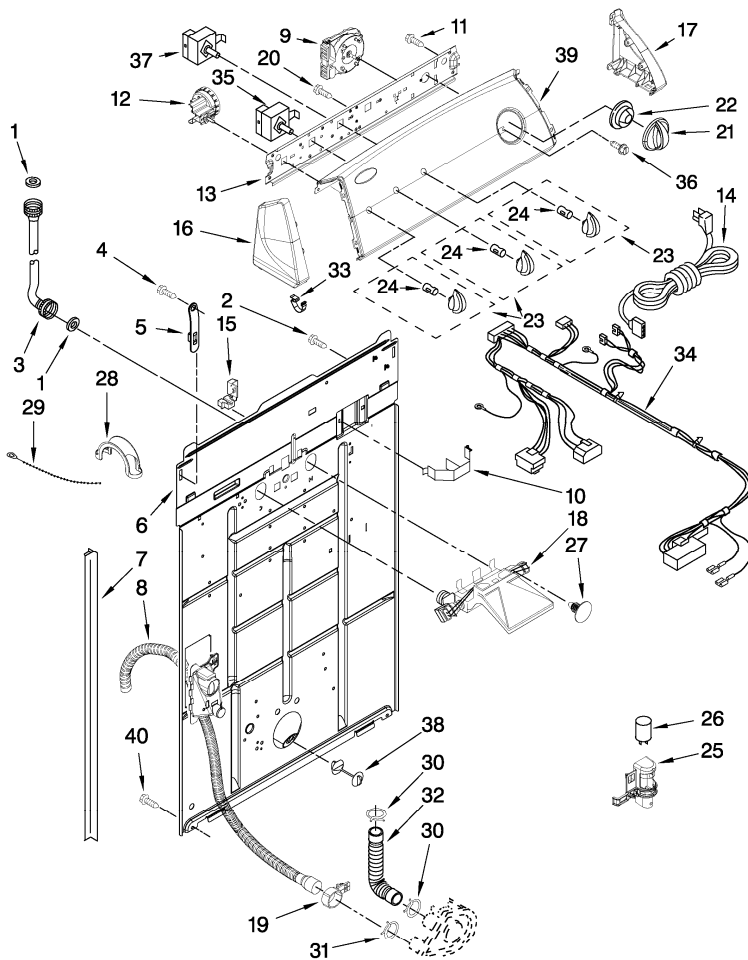
2	W10203530	TOP (S/P)
3	62750	SPACER, CABINET TO TOP (4) (S/P)
4	W10165554	SCREW, 10-16 X 1/2 (4) (S/P)
5	63424	CABINET (S/P)
6	62780	CLIP, TOP & CABINET & REAR PANEL (2)
7	W10192089	DISPENSER, BLEACH (S/P)
8	3351614	SCREW, GROUND (S/P)
9	8318084	SWITCH, LID
10	680762	NUT, HEX (S/P)
11	W10119828	SCREW, LID HINGE MOUNTING (4) (S/P)
12	8559336	HINGE, LID (L.H.) (S/P)
13	W10202542	HINGE, LID (R.H.) (S/P)
14	W10208782	SPRING-EXTENSION, GLASS LID (S/P)
15	8319539	BEARING, LID HINGE (2) (S/P)
16	W10164516	LID ASSEMBLY (S/P)
17	3350828	CLIP, RETAINER

Distribuidor Autorizado

SurteRápido.com

Venta de Refacciones
Electrodomesticas

7MWT98920WQ0 TABLERO



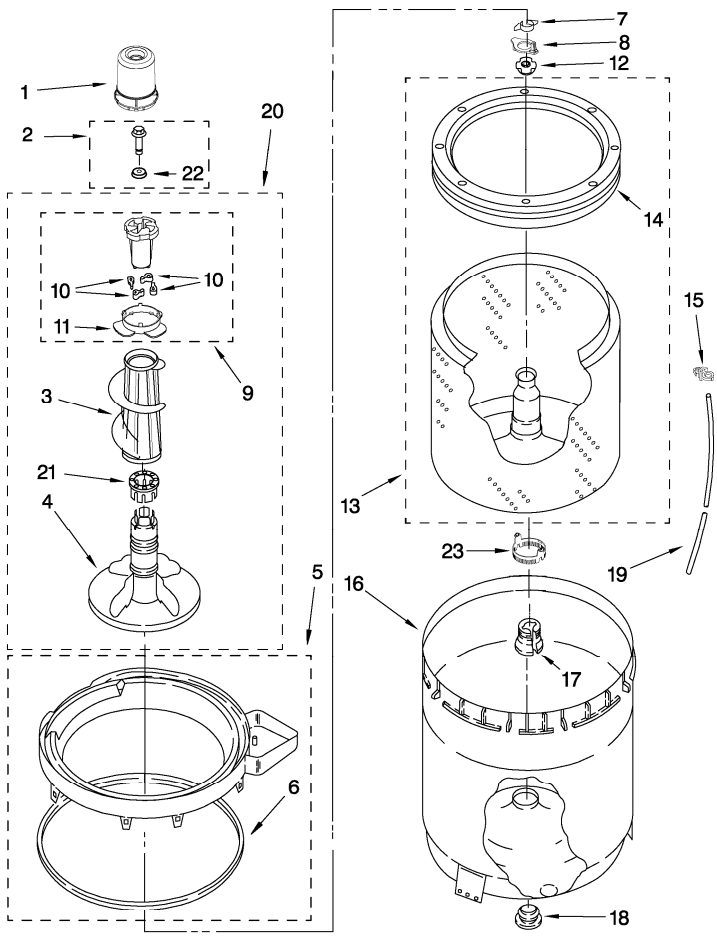


7MWT98920WQ0 TABLERO

1	16123	WASHER, WATER INLET HOSE (4) (S/P)
2	3351614	SCREW, GROUND (S/P)
3	89503	HOSE, WATER INLET (2) (HOT WATER)
4	9740848	SCREW, 8-18 X 1/2 (S/P)
5	8568314	STRAP, CONSOLE (2) (S/P)
6	W10194450	PANEL, REAR (S/P)
7	62747	PAD, REAR PANEL (S/P)
8	W10189267	DRAIN HOSE ASSEMBLY (INCLUDES ITEM 19) (S/P)
9	W10185786	TIMER, CONTROL (60 HZ.) (S/P)
10	8055003	CLIP, HARNESS & PRESSURE HOSE (S/P)
11	90767	SCREW, 8-18 X 3/8 (S/P)
12	8577844	SWITCH, WATER LEVEL (S/P)
13	8566003	BRACKET, CONTROL (S/P)
14	W10115689	CORD, POWER (INCLUDES ITEM 15) (S/P)
15	3952821	STRAIN RELIEF, POWER CORD (S/P)
16	8565957	CAP, END (L.H.) (INCLUDES ITEM 33) (S/P)
17	8565954	CAP, END (R.H.) (INCLUDES ITEM 33) (S/P)
18	W10140918	VALVE, WATER INLET W/VACUUM BREAK (S/P)
19	8541668	CLAMP, HOSE (S/P)
20	3400073	SCREW, GROUND (S/P)
21	8566022	KNOB, TIMER
22	8566018	DIAL, TIMER
23	8565944	KNOB, CONTROL (S/P)
24	8536939	CLIP, KNOB (S/P)
25	8318046	CLIP, CAPACITOR (S/P)
26	8572717	CAPACITOR, MOTOR START (S/P)
27	8282566	CLIP, PUSH-IN RETAINER (S/P)
28	8577378	U-BEND, DRAIN HOSE (S/P)
29	3347868	CABLE TIE (S/P)
30	616099	CLAMP, HOSE (S/P)
31	285655	CLAMP, HOSE (S/P)
32	285871	HOSE, PUMP TO TUB (INCLUDES ITEM 30)
33	8312709	CLIP, CONSOLE (2) (S/P)

34	W10246530	HARNESS, WIRING (S/P)
35	661612	SWITCH, WATER TEMPERATURE
36	3400818	SCREW, TIMER MOUNTING (S/P)
37	3949180	SWITCH, ROTARY (S/P)
38	8519200	SUPPORT, REAR PANEL
39	W10258969	PANEL, CONSOLE (S/P)
40	62863	SCREW, 10-16 X 3/8 (S/P)

7MWT98920WQ0 TINAS

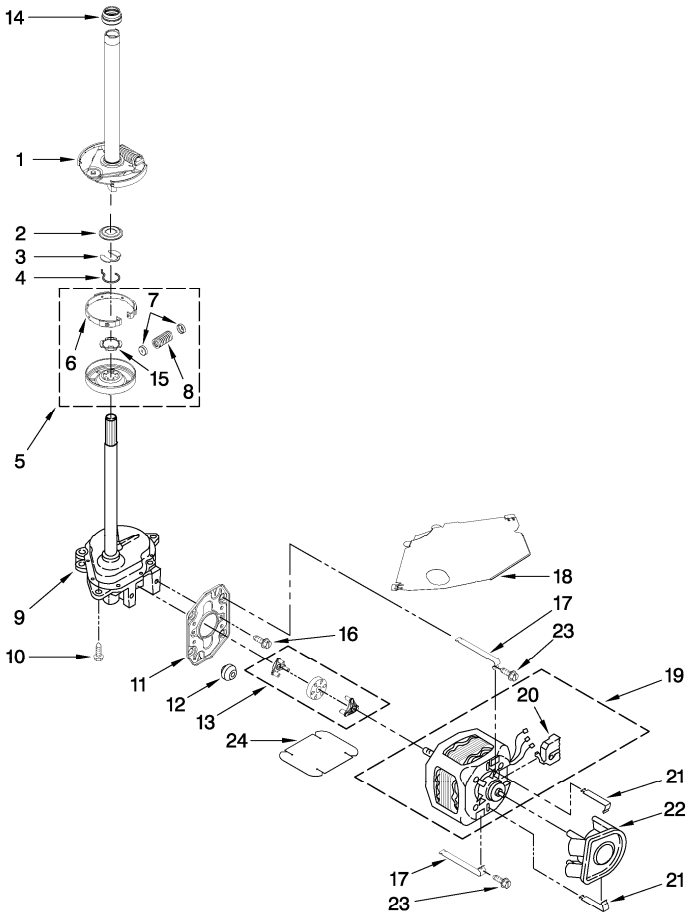




7MWT98920WQ0 TINAS

1	8533252	DISPENSER FABRIC SOFTENER (S/P)
2	358237	SCREW & WASHER (5/16-24 X 1)
3	3360824	AUGER, AGITATOR (S/P)
4	389386	AGITATOR (S/P)
5	8528150	TUB RING & GASKET (S/P)
6	3976308	GASKET, TUB RING
7	3354845	CLIP, AGITATOR (S/P)
8	8543666	WASHER, AGITATOR (S/P)
9	285748	CAM DRIVEN
10	285770	DOG, AGITATOR CLUTCH (4) (S/P)
11	3363661	BEARING-DRIVEN CAM (S/P)
12	21366	NUT, SPANNER
13	8526017	BASKET & BALANCE RING (S/P)
14	387240	BALANCE RING
15	2219077	CLIP, PRESSURE SWITCH HOSE (S/P)
16	63849	TUB (S/P)
17	389140	BLOCK, BASKET DRIVE
18	383727	GASKET, CENTERPOST
19	353244	HOSE, PRESSURE SWITCH
20	285727	AGITATOR (COMPLETE)
21	285587	SPACER, THRUST
22	3949550	WASHER (S/P)
23	8577198	FILTER, LINT (S/P)

7MWT98920WQ0 MOTOR

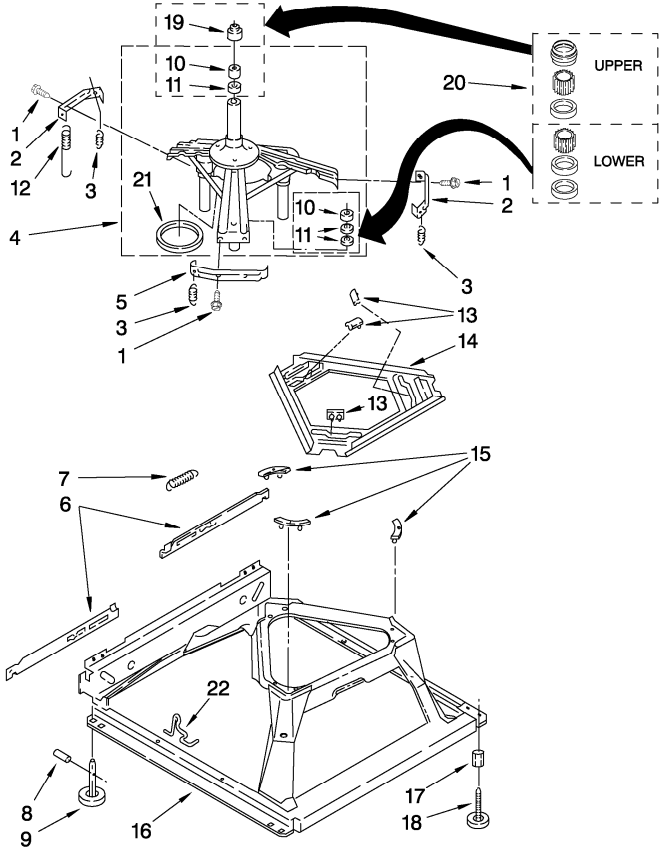




7MWT98920WQ0 MOTOR

1	285792	BRAKE & DRIVE TUBE (COMPLETE)
2	63292	WASHER, SPIN TUBE THRUST
3	62697	RING, SPIN TUBE SUPPORT
4	285353	RING, RETAINER
5	285785	CLUTCH (COMPLETE)
6	285790	BAND & LINING, CLUTCH (INCLUDES ILLUS. 7 & 8)
7	62646	CAP, CLUTCH SPRING (2) (S/P)
8	3946792	SPRING, CLUTCH (S/P)
9	3360629	GEARCASE (COMPLETE)
10	3357334	SCREW, GEARCASE TO BASE (3) (S/P)
11	62611	PLATE, MOTOR MOUNT TO GEARCASE (S/P)
12	62691	GROMMET, MOTOR (4)
13	285753	COUPLING, MOTOR & ISOLATION
14	8577374	SEAL (S/P)
15	3355454	CLIP, ANTI-RATTLE (S/P)
16	3400516	SCREW (S/P)
17	3349637	RETAINER, MOTOR (2)
18	3362089	SHIELD, TUB TO MOTOR (S/P)
19	389248	MOTOR, MAIN DRIVE
20	3952056	SWITCH, MAIN DRIVE MOTOR (S/P)
21	62700	RETAINER, PUMP (2)
22	3363394	PUMP (COMPLETE)
23	3387485	SCREW, 10-16 X 5/8 (S/P)
24	3946532	SHIELD, MOTOR (S/P)

7MWT98920WQ0 BASE

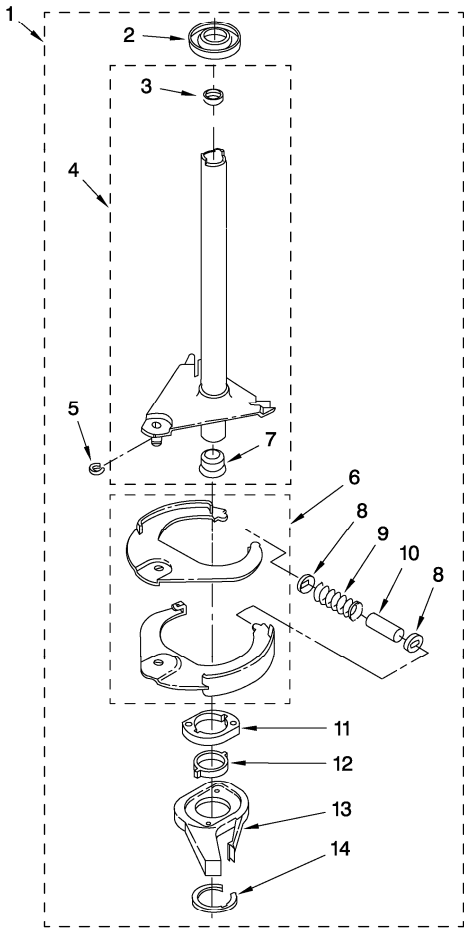




7MWT98920WQ0 BASE

1	3400076	SCREW, BRACKET MOUNTING (10-32 X 5/8) (S/P)
2	64067	BRACKET, SPRING OUTER (2)
3	63907	SPRING SUSPENSION, (3)
4	280184	SUPPORT & BRAKE, TUB (S/P)
5	64065	BRACKET, SPRING OUTER (L.F.)
6	63466	LINK, LEVELING MECHANISM (2) (S/P)
7	8316845	SPRING, LEVELING MECHANISM
8	62837	PIN, KNURLED (S/P)
9	285244	FOOT, REAR (2)
10	8546455	BEARING, CENTERPOST (2) (S/P)
11	359449	SEAL, CENTERPOST (3)
12	388492	SPRING, COUNTERWEIGHT
13	285219	PAD, PLATE
14	3946509	PLATE, SUSPENSION (INCLUDES ITEM 13) (S/P)
15	285744	PAD, BASE
16	285771	BASE ASSEMBLY
17	3359452	NUT, LOCK (2) (3/8-16) (S/P)
18	389102	FOOT, FRONT (2)
19	91938	SEAL, CENTERPOST
20	285203	CENTERPOST BEARING KIT
21	63134	RING, SOUND DEADENING
22	63806	RETAINER, SUSPENSION

7MWT98920WQ0 FLECHA HUECA

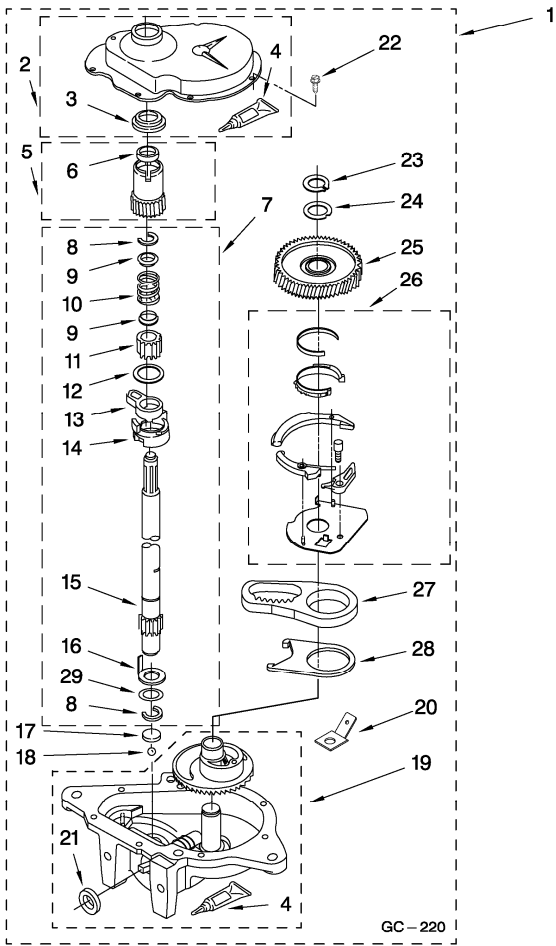




7MWT98920WQ0 FLECHA HUECA

1	285792	BRAKE AND DRIVE TUBE (COMPLETE)
2	62658	RING, THRUST
3	356427	SEAL, DRIVE TUBE
4	64208	TUBE, BASKET DRIVE (INCLUDES ILLUS. 3, 4, 5 & 9)
5	64035	RING, RETAINING (S/P)
6	285438	SHOE, BRAKE (2)
7	62703	``T`` BEARING, SPIN TUBE
8	285658	CAP, BRAKE SPRING (2) (S/P)
9	387806	SPRING, BRAKE
10	285658	SLEEVE, BRAKE SPRING (S/P)
11	661516	CAM, BRAKE RELEASE (S/P)
12	63022	SLEEVE, CAM DESCONTINUADO
13	64194	DRIVER, BRAKE CAM
14	90368	RING, RETAINING
NI	285208	LUBRICANT (S/P)

7MWT98920WQ0 TRANSMISION





7MWT98920WQ0 TRANSMISION

1	3360629	GEARCASE (COMPLETE)
2	285202	COVER, GEARCASE (S/P)
3	3349985	SEAL, GEARCASE COVER
4	285195	SEALER, GASKET (.20 FL. OZ.) (6 ML) (S/P)
5	285362	PINION, SPIN (INCLUDES ILLUS. 25)
6	356427	SEAL, SPIN PINION
7	389387	SHAFT, AGITATOR (COMPLETE) (S/P)
8	90369	RING, RETAINING (2)
9	62677	RETAINER, SPRING (2)
10	62676	SPRING, AGITATE (S/P)
11	285509	GEAR, AGITATE DESCONTINUADO
12	62619	WASHER, AGITATE GEAR (S/P)
13	285206	CAM FOLLOWER (INCLUDES 14)
14	285206	CAM, AGITATE (INCLUDES 13)
15	285509	SHAFT, AGITATOR DESCONTINUADO
16	62618	WASHER, CAM THRUST
17	285205	BEARING, THRUST (INCLUDES 18)
18	285205	BALL, BEARING (INCLUDES 17)
19	285515	BOTTOM AND PINION, GEARCASE (S/P)
20	3949116	BLOCK TAB, TERMINAL (S/P)
21	285352	SEAL, THRUST PLUG
22	3351614	SCREW, GEARCASE (S/P)
23	285765	RING, RETAINING
24	285735	WASHER KIT, THRUST
25	285362	GEAR, SPIN
26	388253	NEUTRAL ASSEMBLY
27	3949609	RACK, CONNECTING
28	62621	ACTUATOR, SHIFT
29	388815	WASHER, INTERMEDIATE (S/P)