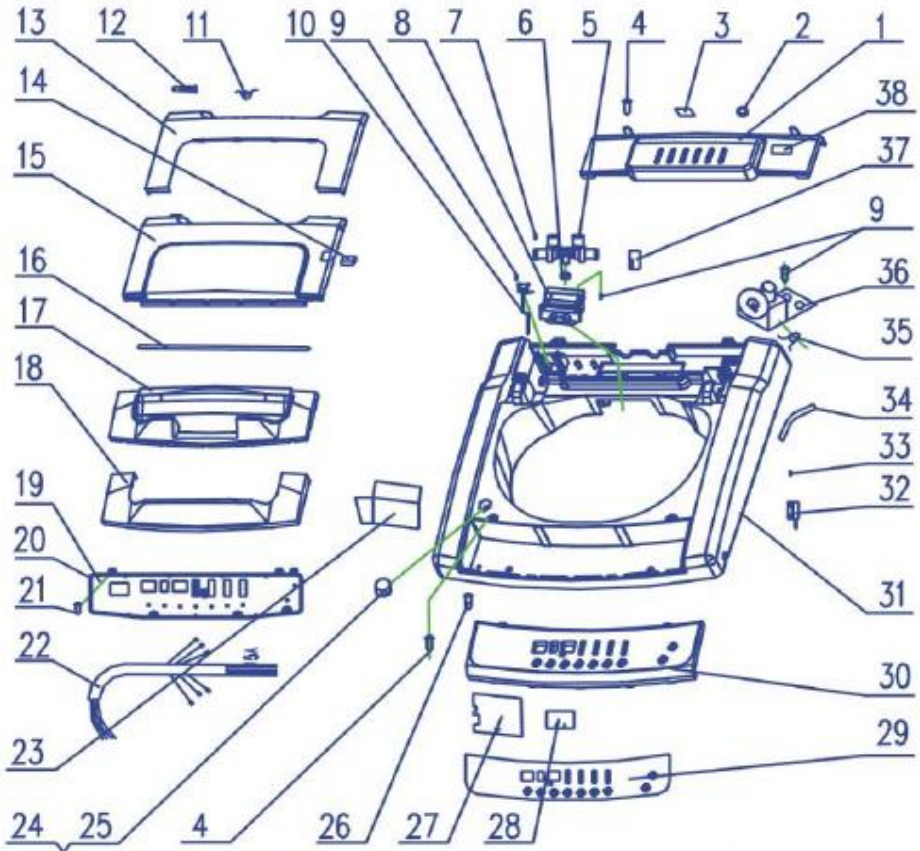


**7MWT9899WU0 TABLERO**



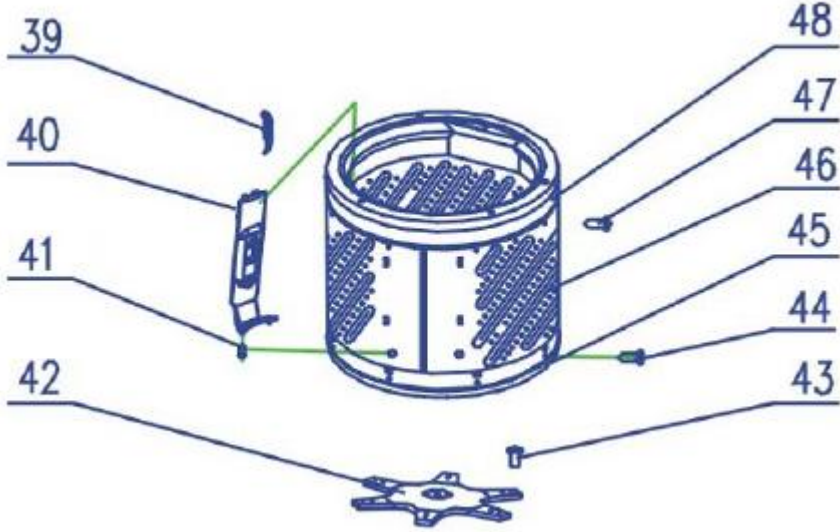


## 7MWT9899WU0 TABLERO

1	301114800241	BACK BOARD
2	301114800003	SEAL FOR WATER INLET VALVE
3	302000200892	COLD AND HOT WATER MARKER
4	***	TAPPING SCREW M4x14 (NI)
5	302411200037	DOUBLE WATER INLET VALVE B
6	302700300040	RUBBER SEALED WASHER
7	***	TAPPING SCREW 4x16
8	301112002022	WATER INLET SUBASSEMBLY
9	***	TAPPING SCREW 4x12
10	302420800004	SAFETY SWITCH
11	302911200090	HINGE SPRING
12	301115100004	PIN
13	301114402228	SETTING OF BACK TOP LID
14	302411700002	MAGNET
15	301120990025	BACK TOP LID
16	302911000019	LID STEEL WIRE
17	301120990025	FRONT TOP LID
18	301114402228	SETTING OF FRONT TOP LID
19	301311001039	PCB BOARD
20	302311800052	PCB TRAY
21	***	SCREW 3.5x11
22	3024021B0001	WIRING HARNESS
23	300500390001	PAPER SHIELD FOR TOP FRAME
24	301114300013	GRADIENTER
25	301114300115	INSERT OF GRADIENTER
26	***	TAPPING SCREW 4x12
27	300500390000	PAPER SHIELD FOR BOLT POLE
28	300500390002	PAPER SHIELD FOR CONTROL PANEL
29	302000201184	DECORATIVE STICKER
30	301114502161	CONTROL PANEL
31	301114300132	TOP FRAME
32	302411500025	MAGNET SWITCH
33	***	TAPPING SCREW 3.5x9

34	301611000441	AIR TRAP HOSE
35	302911200015	SMALL HOSE BAND
36	302411600009	WATER LEVEL SENSOR
37	301120990021	BAFFLE FOR WATER INLET
38	302000200950	SAFETY LABEL

7MWT9899WU0 TINA

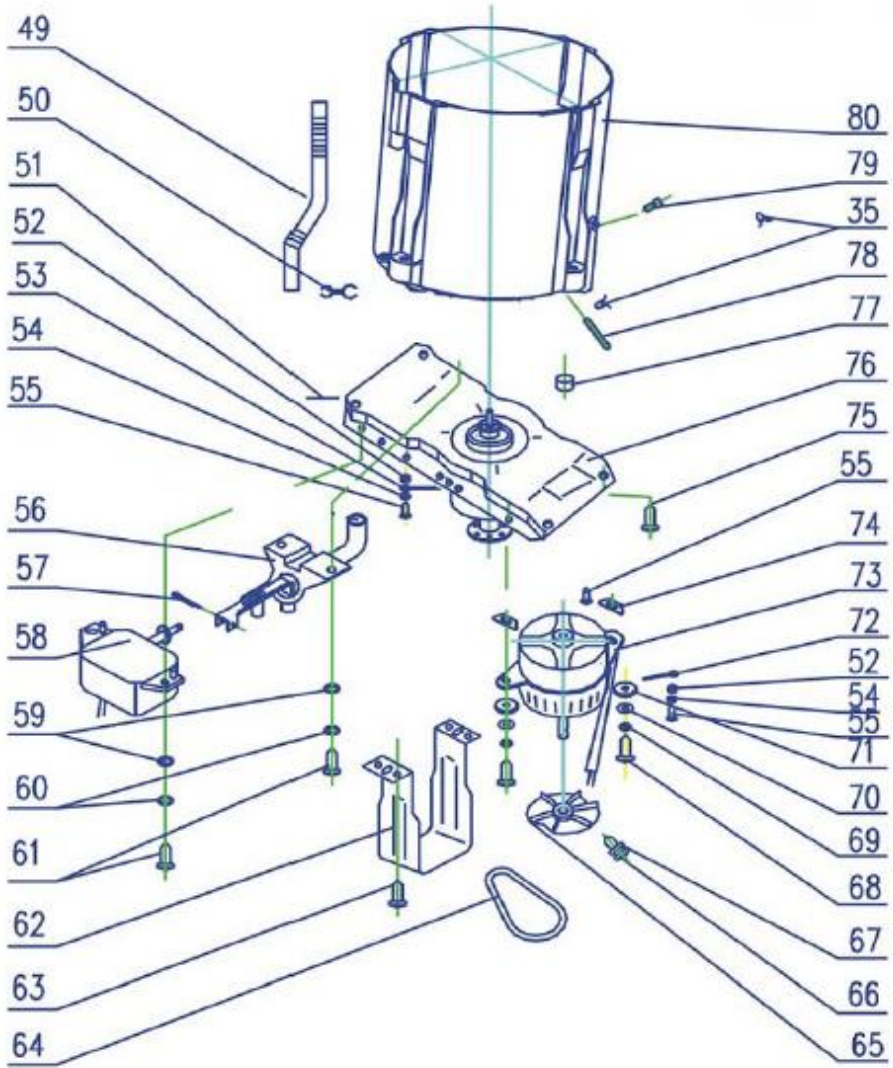




7MWT9899WU0 TINA

39	301101400095	FILTER FRAME
40	301120800106	WATER CYCLE
41	***	SCREW 4x12
42	301200500026	FLANGE FOR INNER-TUB
43	302500300056	SCREW FOR FLANGE M6x20
44	***	SCREW FOR BOTTOM OF SPIN TUB
45	301120800107	BOTTOM OF SPIN TUB
46	301214900021	SPIN TUB
47	***	SCREW 4x16
48	301115300466	BALANCING RING

**7MWT9899WU0 TRANSMISION**





## 7MWT9899WU0 TRANSMISION

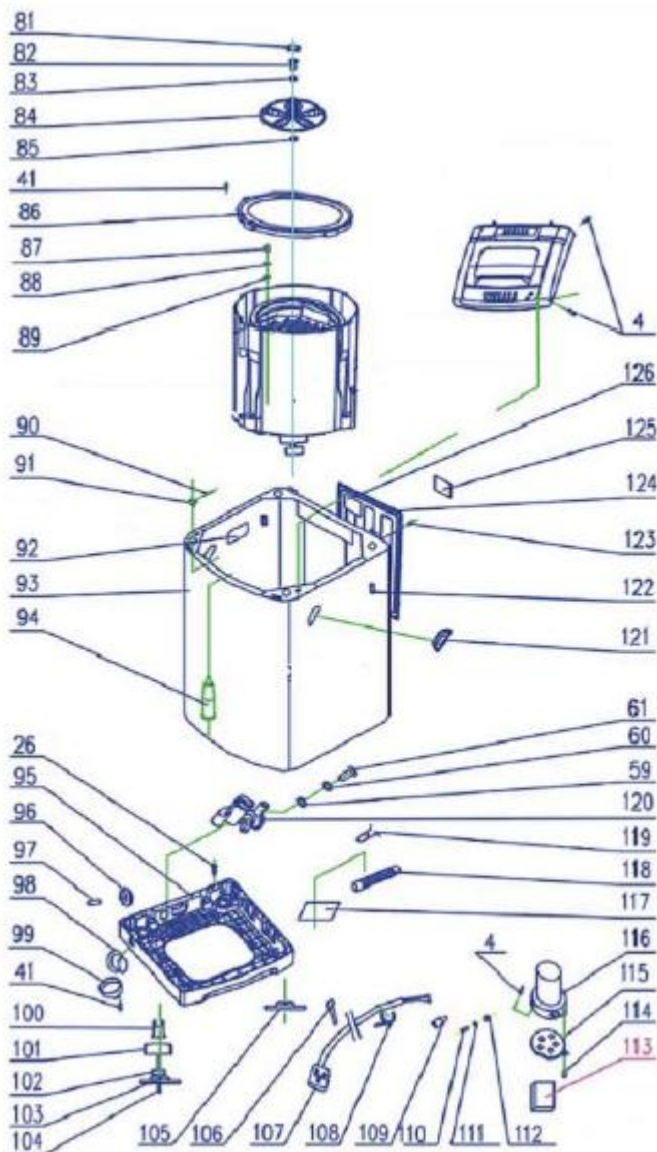
49	301120990018	OVERFLOW HOSE OF UP DRAIN WATER
50	301120990017	SUPPORT FOR OVERFLOW HOSE OF UP DRAIN
51	301102000070	METAL WIRE A
52	***	NUT M4
53	***	INNER GROUND WIRE
54	***	WASHER Ø4
55	***	SCREW M4x10
56	301611100021	DRAIN VALVE SUBASSEMBLY
57	302501200009	PIN 4x40
58	302411100120	TORQUE MOTER SUBASSEMBLY
59	***	WASHER Ø6
60	***	SPRING WASHER Ø6
61	***	INNER HEX SCREW M6x16
62	301215000014	MOTOR SUPPORT
63	***	SCREW FOR MOTOR SUPPORT
64	302701000023	V-BELT
65	303400500010	MOTOR PULLEY
66	***	SCREW FOR MOTOR PULLEY
67	***	NUT FOR MOTOR PULLEY
68	***	BOLT M8x30
69	***	SPRING WASHER Ø8
70	***	BIG WASHER
71	301115600002	UP VIBRATION-DAMP WASHER B
72	302402100480	MOTOR GROUND WIRE
73	302411300236	MOTOR COMPLETE
74	301115600007	DOWN VIBRATION-DAMP WASHER
75	***	BIG SCREW 6x30
76	301201090008	CLUTCH SUBASSEMBLY
77	301114600024	STOPPER
78	301611000448	VENT-PIPE
79	302500300050	SPECIAL SCREW (H62)
80	301115400454	OUTER TUB

Distribuidor Autorizado

SurteRápido.com

Venta de Refacciones  
Electrodomesticas

## 7MWT9899WU0 GABINETE





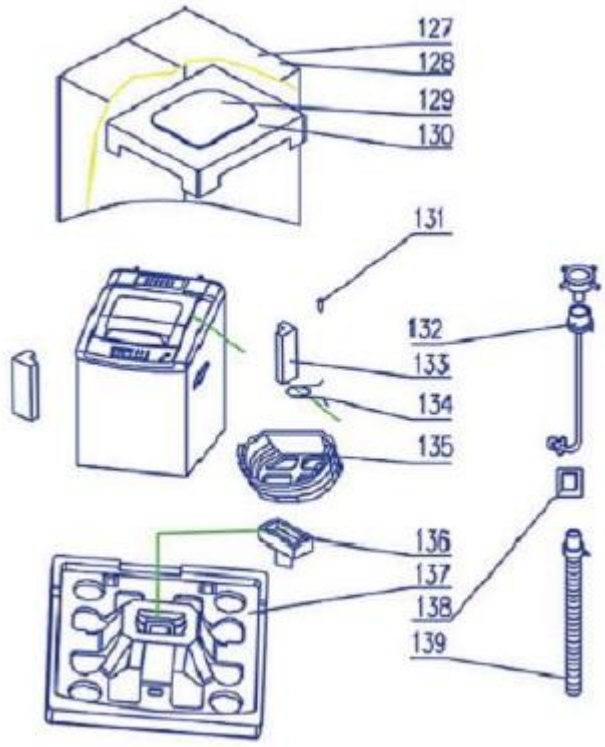


## 7MWT9899WU0 GABINETE

81	301120700122	PULSATOR COVER
82	302500300230	PULSATOR SCREW
83	302502100001	ANTI-RECESSION WASHER
84	301120700123	PULSATOR COMPLETE
85	302502100071	PULSATOR SHAFT WASHER
86	301101700106	OUTER TUB COVER
87	***	HEX SCREW M6x22
88	***	SPRING WASHER Ø6
89	***	WASHER 6
90	302911300020	SUSPENSION ROD PIN
91	301102000066	BALL-SHAPE PEDESTAL
92	302211100017	CUSHION WASHER
93	301220990017	CABINET COMPLETE
94	302911300020	SUSPENSION ROD COMPLETE
95	301114000078	BASE
96	301113500099	IDLER WHEEL
97	301111902000	DLER WHEEL SHAFT B8x39
98	301114000024	DRAIN HOSE CAP
99	301120990019	OVERFLOW FUNNEL
100	301114100050	LEG ADJUSTER-A
101	301114100050	LEG ADJUSTER-B
102	301114100050	LEG ADJUSTER-C
103	301114100050	LEG WASHER
104	301114100050	TAPPING SCREW 4x12
105	302700300033	LEG WASHER
106	301102000009	TIE WRAP
107	302402100208	POWER CORD SUBASSEMBLY
108	301102000001	WIRE NIP
109	301102000002	NUT WIRE
110	302500300076	NUT M4
111	302502100006	TOOTHED LOCK WASHER
112	302500300076	SCREW M4x10
113	302211100022	ANTI-ABRASION WASHER

114	302500300046	TAPPING SCREW
115	301113700026	CAPACITOR COVER
116	302411400048	CAPACITOR AND INDUCTANCE SUBASSEMBLY
117	302100490000	PROTECTION WASHER FOR INNER HOSE
118	301611000440	CONNECTING HOSE
119	302911200020	HOSE BAND A
120	302400600103	DRAIN PUMP WITH FILTER
121	301113400112	GRIP HANDLE
122	301113900027	DRAIN HOSE REST
123	***	SCREW M4x10
124	301113700204	BACK COVER
125	302000201183	NAME PLATE
126	302000201183	NAME PLATE

**7MWT9899WU0 BASE**





**7MWT9899WU0 BASE**

127	***	CARTON
128	***	WASHING MACHINE BAG
129	***	BOTTOM COVER
130	***	TOP FOAM LINING
131	***	TAPPING SCREW 4x16
132	301611000477	WATER INLET HOSE ASSEMBLY
132	301611000476	WATER INLET HOSE ASSEMBLY
133	***	SIDE FOAM LINING
134	***	HOSE BAND
135	***	TUB FOAM LINING
136	***	SUPPORT
137	***	EPS BASE PACKING SUBASSEMBLY
138	***	USER MANUAL
139	301611000480	DRAIN HOSE SUBASSEMBLY