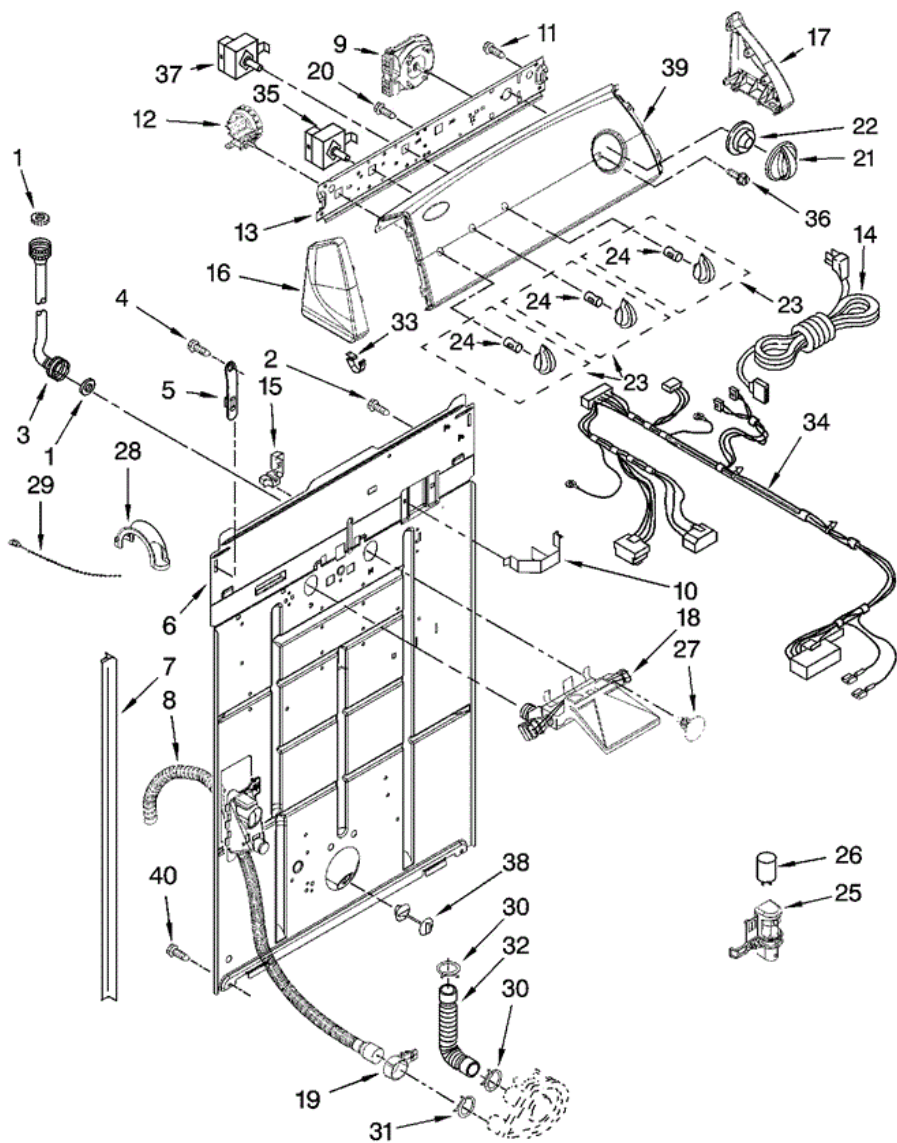


## 7MWT99815WT0

1	W10155455	INSTALLATION INSTRUCTIONS
1	W10185788	WIRING DIAGRAM
1	W10213638	USE & CARE GUIDE
1	W10245231	ENERGY GUIDE (MEXICO)
1	W10245381	FEATURE SHEET
2	8559483	TOP (WHITE)
2	8567424	TOP (BISCUIT)
3	62750	SPACER, CABINET TO TOP (4)
4	W10177046	CABINET-DAMPER, SOUND
5	3954357	CABINET (BISCUIT)
5	63424	CABINET (WHITE)
6	62780	CLIP, TOP & CABINET & REAR PANEL (2)
7	3362952	DISPENSER, BLEACH
8	3351614	SCREW, GROUND
9	8318084	SWITCH, LID
10	8533959	NUT, HEX
11	W10119828	SCREW, LID HINGE MOUNTING (4)
12	W10225135	HINGE, LID (L.H.)
13	54583	HINGE, LID (R.H.)
14	19119	BUMPER, LID HINGE
15	21258	BEARING, LID HINGE (2)
16	8541774	LID (WHITE)
16	W10171116	LID (BISCUIT)
17	9724509	BUMPER, LID (2)
18	W10165554	SCREW, 10-16 X 1/2 (4)

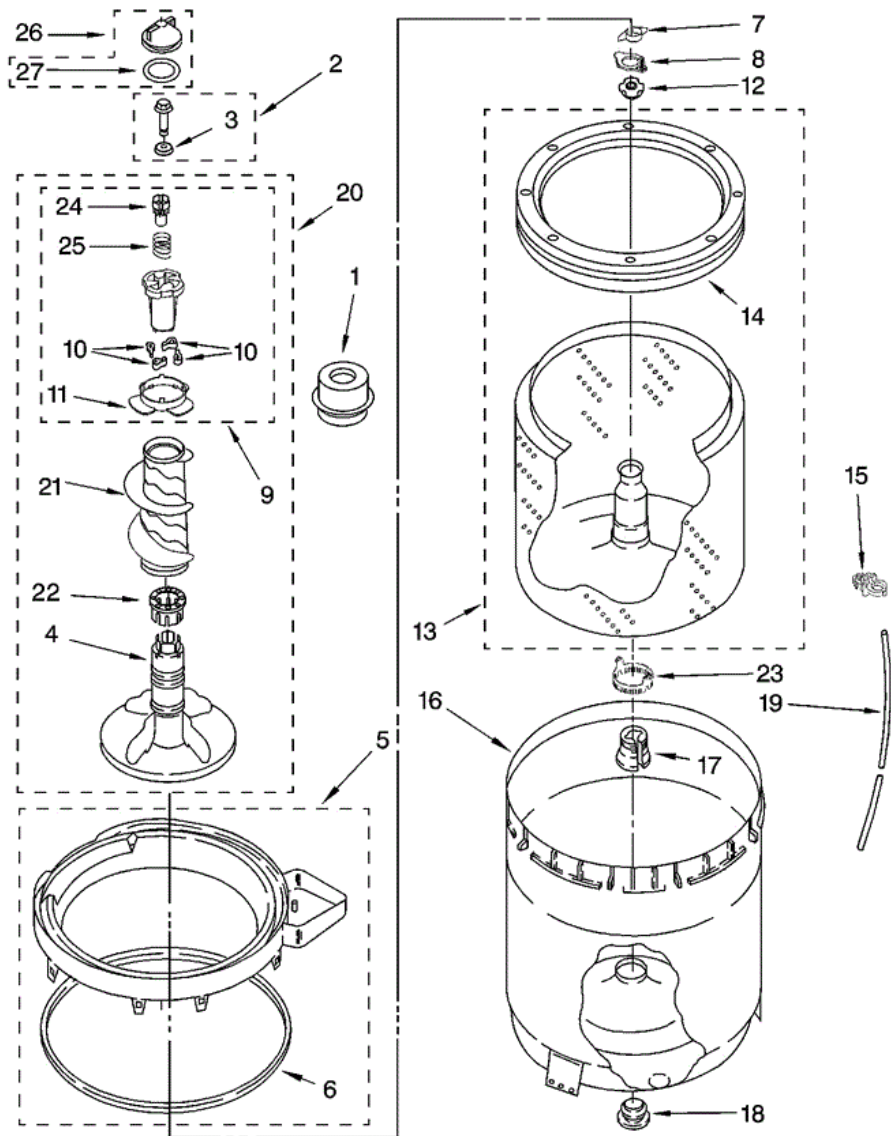
# 7MWT99815WT0



## 7MWT99815WT0

1	W10242307	WASHER, WATER INLET HOSE (4) (1-1/16 X 5/8)
2	3351614	SCREW, GROUND
3	W10194210	HOSE, WATER INLET (2) (COLD WATER)
3	W10196191	HOSE, WATER INLET (2) (HOT WATER)
4	9740848	SCREW, 8-18 X 1/2
5	8568314	STRAP, CONSOLE (2)
6	W10194450	PANEL, REAR
7	62747	PAD, REAR PANEL
8	W10189267	DRAIN HOSE ASSEMBLY (INCLUDES ITEM 19)
9	W10185786	TIMER, CONT. (60 HZ.) (MOTOR NOT SERVICE PART)
10	8055003	CLIP, HARNESS & PRESSURE HOSE
11	90767	SCREW, 8-18 X 3/8
12	8577843	SWITCH, WATER LEVEL
13	8566003	BRACKET, CONTROL
14	W10115689	CORD, POWER (INCLUDES ITEM 15)
15	3952821	STRAIN RELIEF, POWER CORD
16	8566035	CAP, END (L.H.) (INCLUDES ITEM 33) (WHITE)
16	8566036	CAP, END (L.H.) (INCLUDES ITEM 33) (BISCUIT)
17	8566032	CAP, END (R.H.) (INCLUDES ITEM 33) (WHITE)
17	8566033	CAP, END (R.H.) (INCLUDES ITEM 33) (BISCUIT)
18	W10278652	VALVE, WATER INLET W/VACUUM BREAK
19	8541668	CLAMP, HOSE
20	3400073	SCREW, GROUND
21	8566022	KNOB, TIMER (WHITE)
21	8566025	KNOB, TIMER (BISCUIT)

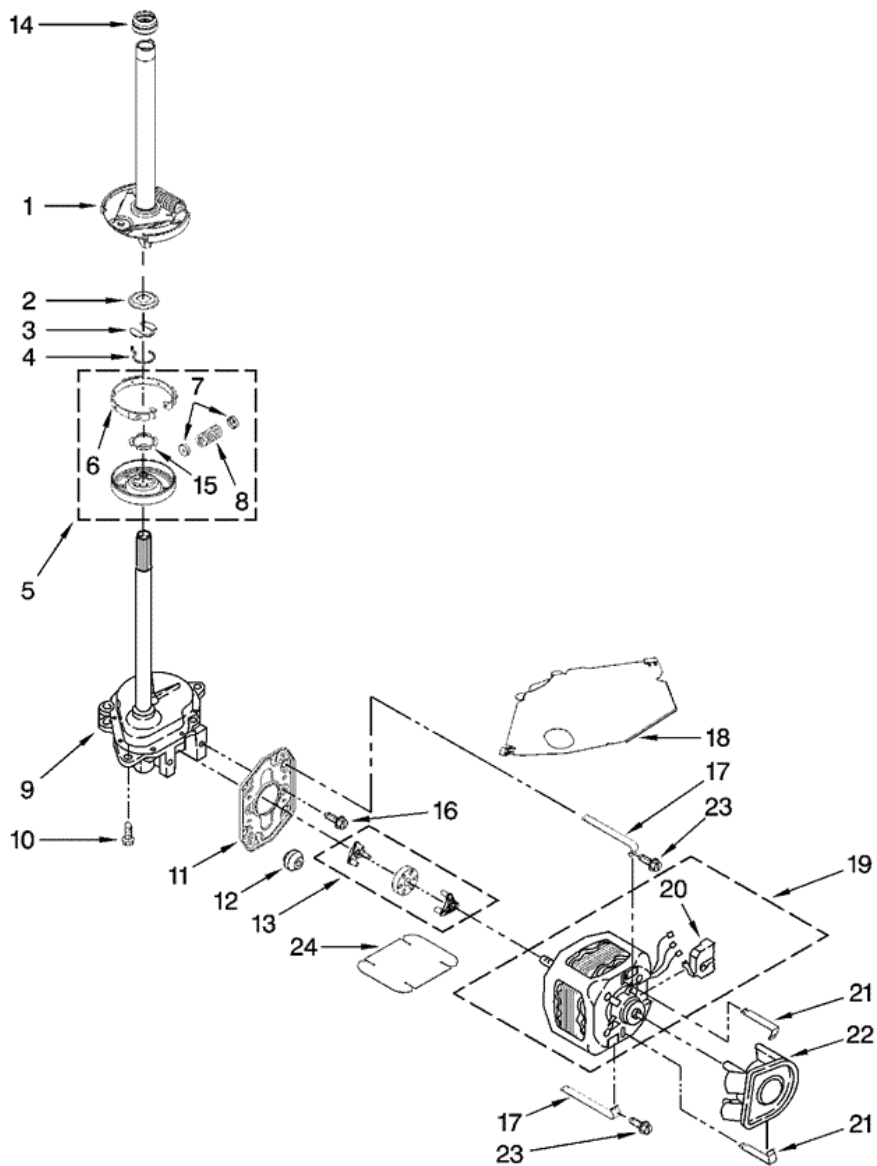
# 7MWT99815WT0



## 7MWT99815WT0

1	8580006	DISPENSER, FABRIC SOFTENER
2	358237	SCREW & WASHER (5-16-24 X 1)
3	3949550	WASHER
4	8578209	AGITATOR
5	8528150	TUB RING & GASKET
6	3976308	GASKET, TUB RING
7	3354845	CLIP, AGITATOR
8	8543666	WASHER, AGITATOR
9	8537434	CAM, DRIVEN
10	3366877	DOG, AGITATOR CLUTCH (4)
11	8055141	BEARING-DRIVEN CAM
12	21366	NUT, SPANNER
13	8526016	BASKET & BALANCE RING
14	387240	BALANCE RING
15	2219077	CLIP, PRESSURE SWITCH HOSE
16	63849	TUB
17	389140	BLOCK, BASKET DRIVE
18	383727	GASKET, CENTERPOST
19	3347780	HOSE, PRESSURE SWITCH
20	8578210	AGITATOR (COMPLETE)
21	8054468	AUGER, AGITATOR
22	8055228	SPACER, THRUST
23	8577198	FILTER, LINT
24	8533540	RETAINER, SPRING
25	8055140	SPRING, COMPRESSION
26	3354733	CAP, BARRIER
27	W10072840	SEAL, INNER CAP

# 7MWT99815WT0

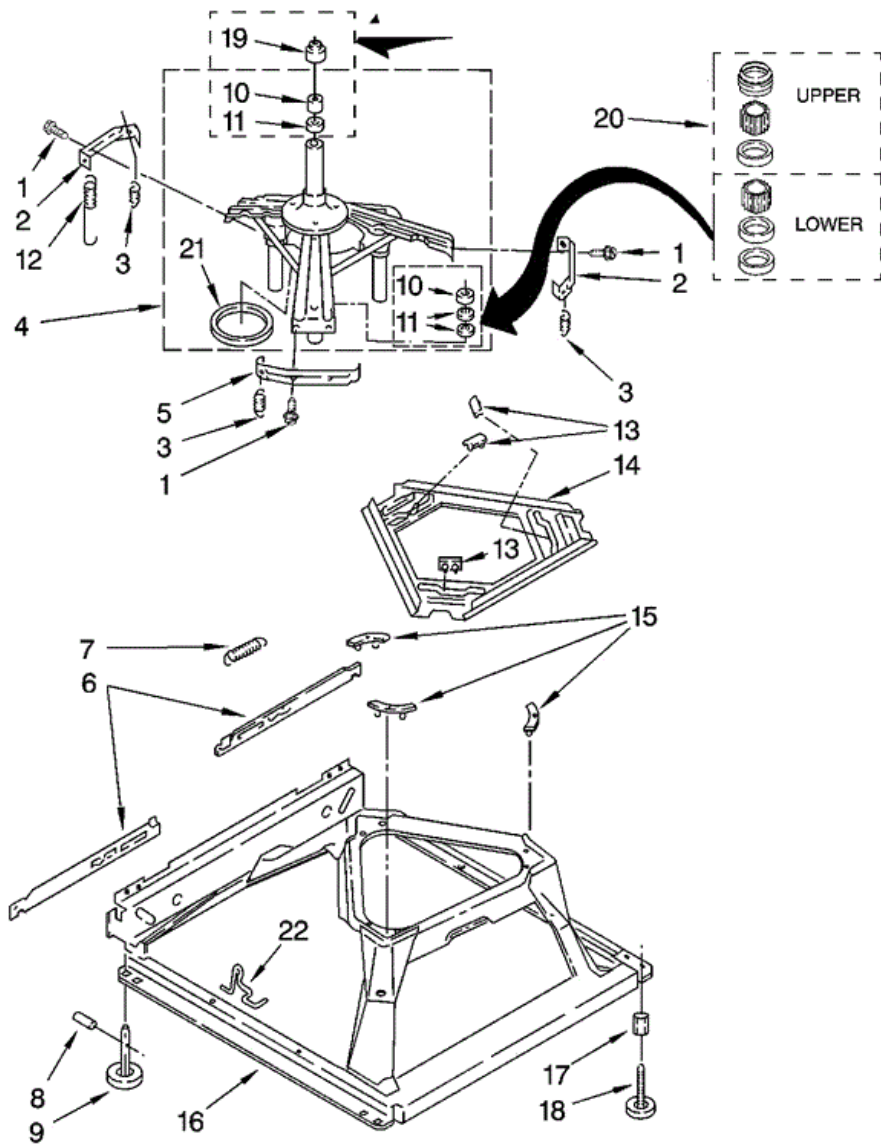


## 7MWT99815WT0

1	388952	BRAKE & DRIVE TUBE (COMPLETE)
2	63292	WASHER, SPIN TUBE THRUST
3	62697	RING, SPIN TUBE SUPPORT
4	63283	RING, RETAINER
5	3951311	CLUTCH (COMPLETE)
6	3951308	BAND & LINING, CLUTCH (INCLUDES ILLUS. 7 & 8)
7	62646	CAP, CLUTCH SPRING (2)
8	3946792	SPRING, CLUTCH
9	8532118	GEARCASE (COMPLETE)
10	3357334	SCREW, GEARCASE TO BASE (3)
11	62611	PLATE, MOTOR MOUNT TO GEARCASE
12	62691	GROMMET, MOTOR (4)
13	3364003	COUPLING, MOTOR & ISOLATION
14	8577374	SEAL
15	3355454	CLIP, ANTI-RATTLE
16	3400516	SCREW
17	W10086010	RETAINER, MOTOR (2)
18	3362089	SHIELD, TUB TO MOTOR
19	8528157	MOTOR, MAIN DRIVE
20	3952056	SWITCH, MAIN DRIVE MOTOR
21	8546127	RETAINER, PUMP (2)
22	3363394	PUMP (COMPLETE)
23	3387485	SCREW, 10-16 X 5/8
24	3946532	SHIELD, MOTOR



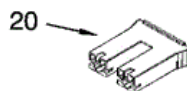
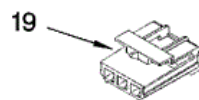
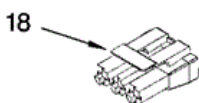
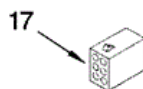
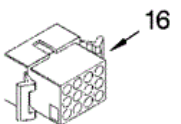
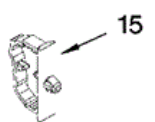
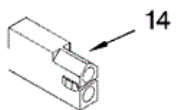
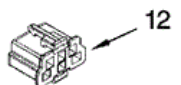
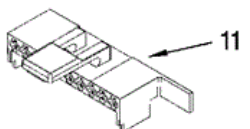
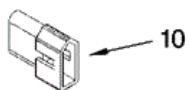
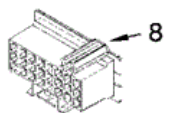
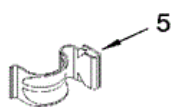
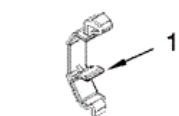
# 7MWT99815WT0



## 7MWT99815WT0

1	3400076	SCREW, BRACKET MOUNTING (10-32 X 5/8)
2	64067	BRACKET, SPRING OUTER (2)
3	63907	SPRING, SUSPENSION (3)
4	8575214	SUPPORT & BRAKE, TUB
5	64065	BRACKET, SPRING OUTER (L.F.)
6	63466	LINK, LEVELING MECHANISM (2)
7	62597	SPRING, LEVELING MECHANISM
8	62837	PIN, KNURLED
9	62596	FOOT, REAR (2)
10	8546455	BEARING, CENTERPOST (2)
11	357409	SEAL, CENTERPOST (3)
12	388492	SPRING, COUNTERWEIGHT
13	62568	PAD, PLATE
14	3946509	PLATE, SUSPENSION (INCLUDES ITEM 13)
15	3363660	PAD, BASE
16	3946512	BASE ASSEMBLY (INCLUDES 6, 7, 8, 9, 13, 14, 15 & 22)
17	3359452	NUT, LOCK (2) (3/8-16)
18	W10001130	FOOT, FRONT (2)
19	8577376	SEAL, CENTERPOST
20	285203	CENTERPOST BEARING KIT (INCLUDES 10, 11 & 19)
21	63134	RING, SOUND DEADENING
22	W10145155	RETAINER, SUSPENSION SPRING

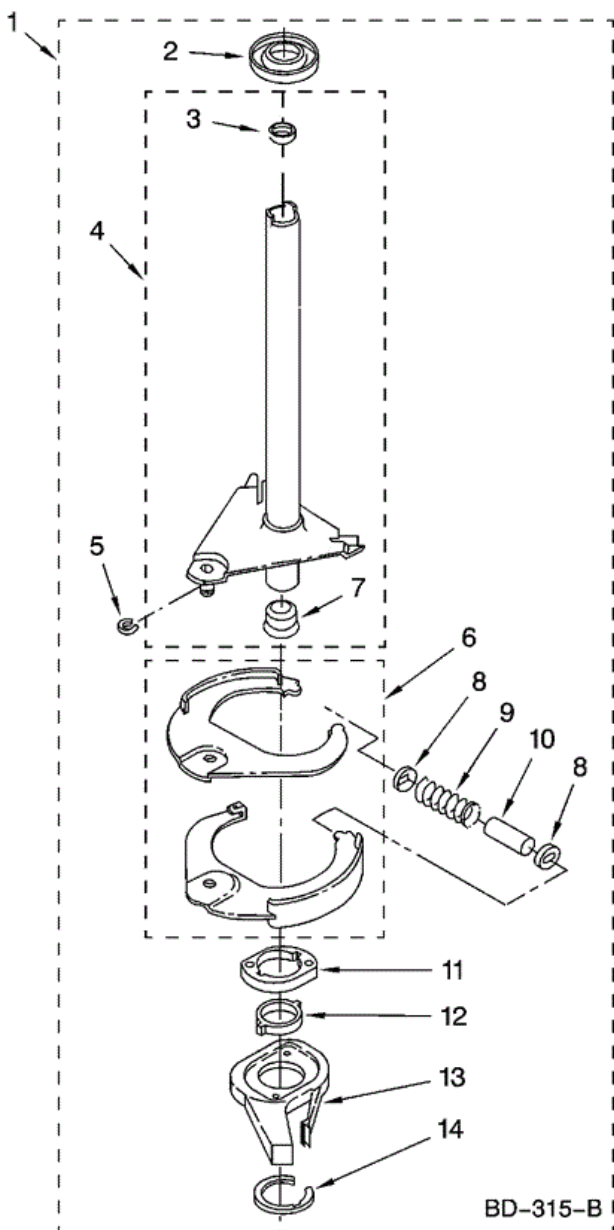
# 7MWT99815WT0



## 7MWT99815WT0

1	3349557	RETAINER, HARNESS
2	388498	CLIP, HARNESS
3	3347812	CLIP, HARNESS
4	3352501	CLIP, HARNESS (PUSH-IN)
5	90016	CLIP, HARNESS (HALF-HARNESS)
6	3390496	CLIP, HARNESS
7	389379	RETAINER, HARNESS
8	352089	TIMER, BLOCK DISCONNECT (BLACK)
8	3948614	TIMER, BLOCK DISCONNECT (NATURAL)
9	62889	RECEPTACLE, TERMINAL (3-WAY)
10	353424	PLUG, TERMINAL (3-WAY)
11	62505	BLOCK, DISCONNECT (MOTOR 2 SPEED)
12	3347243	BLOCK, DISCONNECT
13	63523	PROTECTOR
14	717252	CONNECTOR, 2-WAY
15	3352944	CLIP, HARNESS
16	3390423	BLOCK, DISCONNECT (12-WAY)
17	3347730	RECEPTACLE, 6 WAY
18	3948617	CONNECTOR (T.P.A.) (3-CIRCUIT)
19	3360056	PLUG (T.P.A) (3-CIRCUIT) (PRESSURE SWITCH)
20	3354925	BLOCK, CONNECTOR (NATURAL)
20	3354926	BLOCK, CONNECTOR (RED)

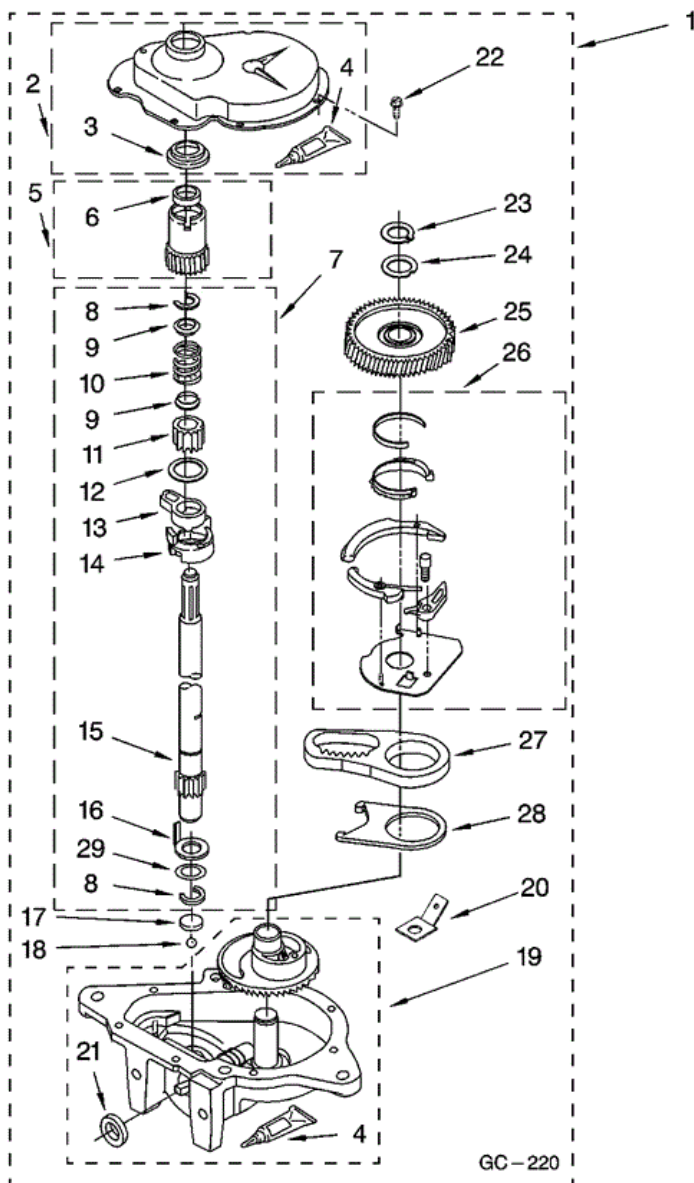
# 7MWT99815WT0



## 7MWT99815WT0

	285208	LUBRICANT (USE ONLY IN BRAKE SHOE ASSEMBLY ON ROLLER & PIN)
1	388952	BRAKE AND DRIVE TUBE (COMPLETE)
2	62658	RING, THRUST
3	356427	SEAL, DRIVE TUBE
4	64027	TUBE, BASKET DRIVE (INCLUDES ILLUS. 3, 4, 5 & 9)
5	64035	RING, RETAINING
6	64232	SHOE, BRAKE (2)
7	62703	``T`` BEARING, SPIN TUBE
8	3353956	CAP, BRAKE SPRING (2)
9	387806	SPRING, BRAKE
10	3355360	SLEEVE, BRAKE SPRING
11	661516	CAM, BRAKE RELEASE
12	63022	SLEEVE, CAM
13	64194	DRIVER, BRAKE CAM
14	90368	RING, RETAINING

# 7MWT99815WT0



## 7MWT99815WT0

		LUBRICANT
		OIL
		ACCESSORY PARTS
		SEALER
	285195	SEALER, GASKET (.20 FL. OZ.) (6 ML)
	280130	DRAIN HOSE ADAPTER KIT
	280131	DRAIN HOSE EXTENSION KIT
	280129	SIPHON BREAK KIT
	350572	OIL, GEARCASE (16 OZ.)
	367031	DRAIN PROTECTOR
	350938	PAINT, PRESSURIZED SPRAY (12 OZ.) (PRIMER, GRAY)
	4392899	PAINT, TOUCH-UP (1/2OZ.) (BISCUIT)
	4392900	PAINT, BULK (1 QT.) (BISCUIT (UNCUT))
	4392901	PAINT, PRESSURIZED SPRAY (12 OZ.) (BISCUIT)
	799344	PAINT, BULK (1 QT.) (WHITE (UNCUT))
	285208	LUBRICANT (USE ONLY IN BRAKE SHOE ASSEMBLY)
	350930	PAINT, PRESSURIZED SPRAY (12 OZ. WHITE)
	72017	PAINT, TOUCH-UP (1/2OZ. WHITE)
1	8532118	GEARCASE (COMPLETE)
2	285202	COVER, GEARCASE
3	3349985	SEAL, GEARCASE COVER
4	285195	SEALER, GASKET (.20 FL. OZ.) (6 ML)
5	63320	PINION, SPIN (INCLUDES ILLUS. 25)
6	356427	SEAL, SPIN PINION
7	389387	SHAFT, AGITATOR (COMPLETE)
8	90369	RING, RETAINING (2)
9	62677	RETAINER, SPRING (2)
10	62676	SPRING, AGITATE
11	63273	GEAR, AGITATE (INCLUDES 15 & 29)
12	62619	WASHER, AGITATE GEAR
13	62580	CAM FOLLOWER (INCLUDES 14)
14	62581	CAM, AGITATE (INCLUDES 13)
15	285509	SHAFT, AGITATOR (INCLUDES 11 & 29)
16	62618	WASHER, CAM THRUST
17	16018	BEARING, THRUST (INCLUDES 18)
18	85529	BALL, BEARING (INCLUDES 17)



19	389230	BOTTOM AND PINION, GEARCASE
20	3949116	BLOCK TAB, TERMINAL
21	285352	SEAL, THRUST PLUG
22	3351614	SCREW, GEARCASE COVER MOUNTING (8) (10-24 X 3/8)
23	3362552	RING, RETAINING
24	285735	WASHER KIT, THRUST
25	62570	GEAR, SPIN
26	388253	NEUTRAL ASSEMBLY
27	3349296	RACK, CONNECTING
28	62621	ACTUATOR, SHIFT
29	388815	WASHER, INTERMEDIATE