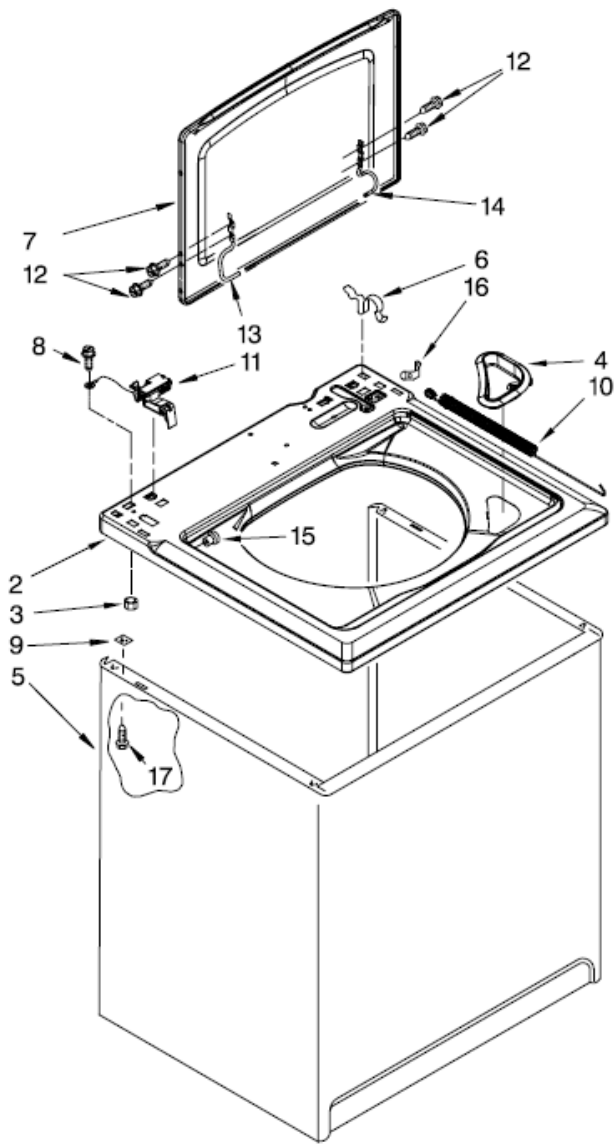


**7MWT99900WQ0 GABINETE**





## 7MWT99900WQ0 GABINETE

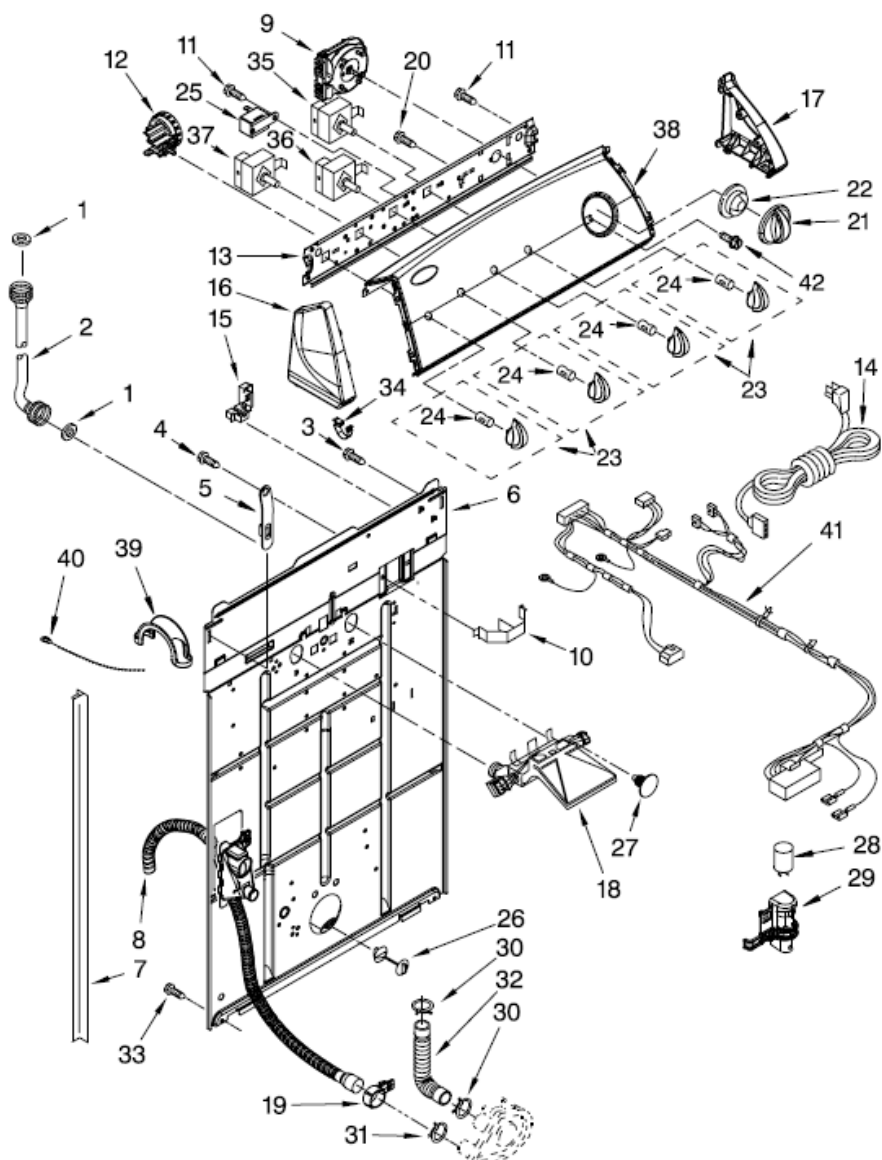
| Illus. No. | Part No.  | DESCRIPTION                          |
|------------|-----------|--------------------------------------|
| 1          |           | Literature Parts                     |
|            | W10155455 | Installation Instructions            |
|            | W10259078 | Feature Sheet                        |
|            | W10213638 | Use & Care Guide                     |
|            | W10259082 | Energy Guide (Mexico)                |
|            | W10224331 | Wiring Diagram                       |
| 2          | W10203530 | Top                                  |
| 3          | 8533959   | Nut, Hex                             |
| 4          | W10192089 | Dispenser, Bleach                    |
| 5          | 83424     | Cabinet                              |
| 6          | 62780     | Clip, Top & Cabinet & Rear Panel (2) |
| 7          | W10164516 | Lid Assembly                         |
| 8          | 3351614   | Screw, Ground                        |
| 9          | 62750     | Spacer, Cabinet To Top (4)           |
| 10         | W10208782 | Spring-Extension, Glass Lid          |
| 11         | 8318084   | Switch, Lid                          |
| 12         | W10119828 | Screw, Lid Hinge Mounting (4)        |
| 13         | 8559336   | Hinge, Lid (L.H.)                    |
| 14         | W10202542 | Hinge, Lid (R.H.)                    |
| 15         | 8319539   | Bearing, Lid Hinge (2)               |
| 16         | 3350828   | Clip, Retainer                       |
| 17         | W10165554 | Screw, 10-16 x 3/8 (4)               |

Distribuidor Autorizado

**SurteRápido.com**

Venta de Refacciones  
Electrodomesticas

## 7MWT99900WQ0 TABLERO





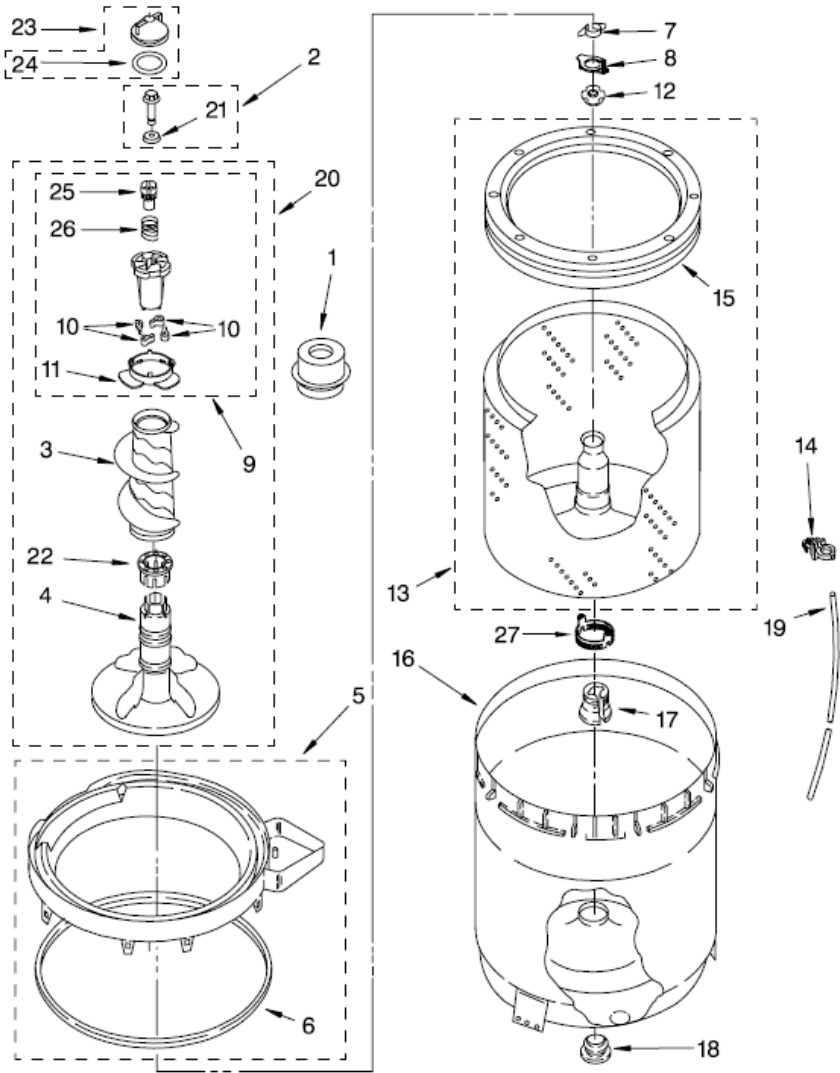
## 7MWT99900WQ0 TABLERO

| Illus. No. | Part No.  | DESCRIPTION  |
|------------|-----------|--|
| 1          | W10242307 | Washer, Water Inlet Hose (4) (1-1/16 x 5/8)        |
| 2          |           | Hose, Water Inlet (2)                              |
|            | W10194210 | Cold Water   |
|            | W10196191 | Hot Water  |
| 3          | 3351614   | Screw, Ground                                      |
| 4          | 9740848   | Screw, 8-18 x 1/2                                  |
| 5          | 8568314   | Strap, Console (2)                                 |
| 6          | W10194450 | Panel, Rear  |
| 7          | 62747     | Pad, Rear Panel                                    |
| 8          | W10189267 | Hose, Drain Assembly (Includes Item 19)            |
| 9          | 8577356   | Timer, Control (60 Hz.) (Motor Not A Service Part) |
| 10         | 8055003   | Clip, Harness & Pressure Hose                      |
| 11         | 90767     | Screw, 8-18 x 3/8                                  |
| 12         | 8577843   | Switch, Water Level                                |

| Illus. No. | Part No.  | DESCRIPTION                        |
|------------|-----------|------------------------------------|
| 13         | 8566003   | Bracket, Control                   |
| 14         | W10115689 | Cord, Power (Includes Item 15)     |
| 15         | 3952821   | Strain Relief, Power Cord          |
| 16         | 8566035   | Cap. End (L.H.) (Includes Item 34) |
| 17         | 8566032   | Cap. End (R.H.) (Includes Item 34) |
| 18         | W10140918 | Valve, Water Inlet W/Vacuum Break  |
| 19         | 8541668   | Clamp, Hose                        |
| 20         | 3400073   | Screw, Ground                      |
| 21         | 8566022   | Knob Timer                         |
| 22         | 8566018   | Dial, Timer                        |
| 23         | 8565944   | Knob, Control                      |
| 24         | 8536939   | Clip, Knob                         |
| 25         | 694419    | Buzzer, Mini                       |
| 26         | 8519200   | Support Rear Panel                 |
| 27         | W10000080 | Clip, Push-In Retainer             |

| Illus. No. | Part No.  | DESCRIPTION                                   |
|------------|-----------|---|
| 28         | 8572717   | Capacitor, Motor Start                        |
| 29         | 8318046   | Clip, Capacitor                               |
| 30         | 3363366   | Clamp, Hose                                   |
| 31         | 8317496   | Clamp, Hose                                   |
| 32         | 3951449   | Hose, Pump To Tub (Includes Item 30)          |
| 33         | 62863     | Screw, 10-16 x 3/8                            |
| 34         | 8312709   | Clip, Console                                 |
| 35         | 3949180   | Switch, Rotary                                |
| 36         | 3949180   | Switch, Rotary                                |
| 37         | 661614    | Switch, Water Temperature                     |
| 38         | W10258971 | Panel, Console                                |
| 39         | 8577378   | U-Bend, Drain Hose                            |
| 40         | 3347868   | Cable Tie                                     |
| 41         | W10224861 | Harness, Wiring (For Detail See Pages 9 & 10) |
| 42         | 3400818   | Screw, Timer Mounting                         |

7MWT99900WQ0 TINAS

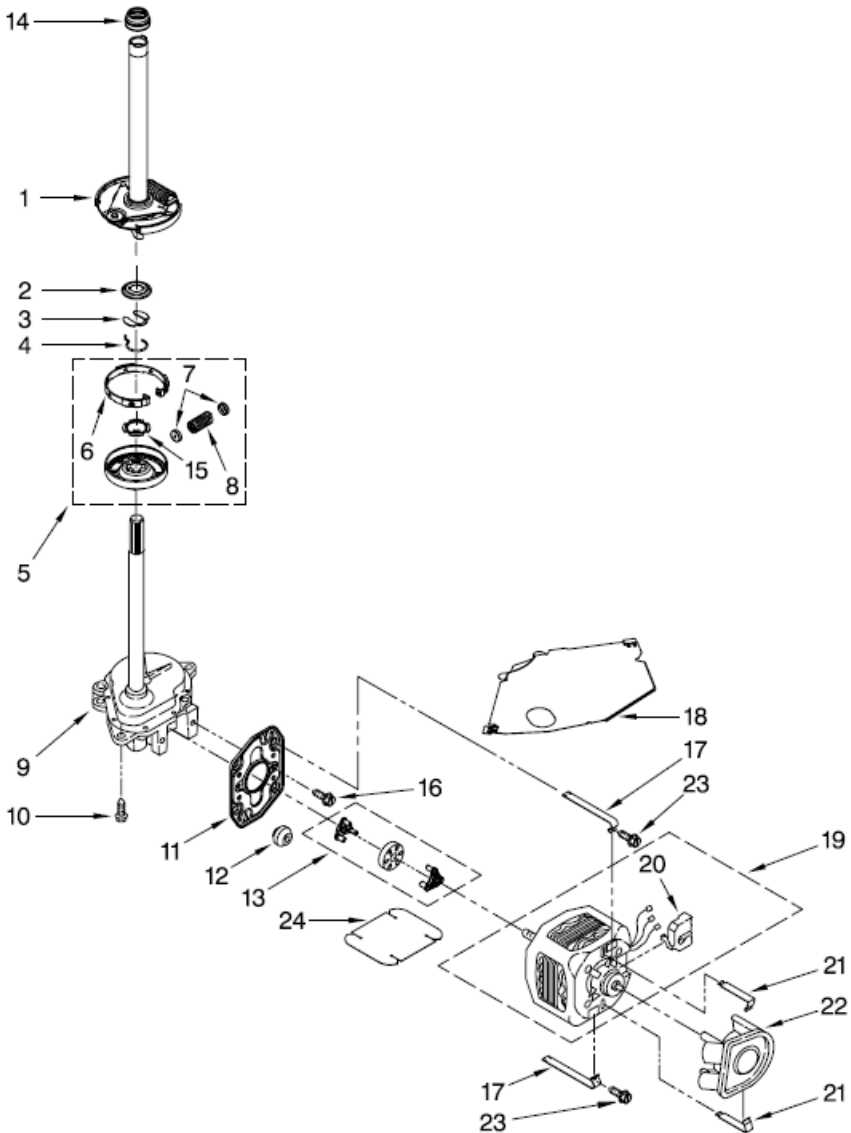




## 7MWT99900WQ0 TINAS

| Illus. No. | Part No.  | DESCRIPTION                  |
|------------|-----------|------------------------------|
| 1          | 8580006   | Dispenser, Fabric Softener   |
| 2          | 358237    | Screw & Washer (5/16-24 x 1) |
| 3          | 8054468   | Auger, Agitator              |
| 4          | 8578209   | Agitator                     |
| 5          | 8528150   | Tub Ring & Gasket            |
| 6          | 3976308   | Gasket, Tub Ring             |
| 7          | 3354845   | Clip, Agitator               |
| 8          | 8543666   | Washer-Agitator              |
| 9          | 8537434   | Cam, Driven                  |
| 10         | 3366877   | Dog, Agitator Clutch (4)     |
| 11         | 8055141   | Bearing-Driven Cam           |
| 12         | 21366     | Nut, Spanner                 |
| 13         | 8526017   | Basket & Balance Ring        |
| 14         | 2219077   | Clip, Pressure Switch Hose   |
| 15         | 387240    | Balance Ring                 |
| 16         | 63849     | Tub                          |
| 17         | 389140    | Block, Basket Drive          |
| 18         | 383727    | Gasket, Centerpost           |
| 19         | 3347780   | Hose, Pressure Switch        |
| 20         | 8578210   | Agitator (Complete)          |
| 21         | 3949550   | Washer                       |
| 22         | 8055228   | Spacer, Thrust               |
| 23         | 3354733   | Cap, Barrier                 |
| 24         | W10072840 | Seal, Inner Cap              |
| 25         | 8533540   | Retainer, Spring             |
| 26         | 8055140   | Spring, Compression          |
| 27         | 8577198   | Filter, Lint                 |

**7MWT99900WQ0 MOTOR**



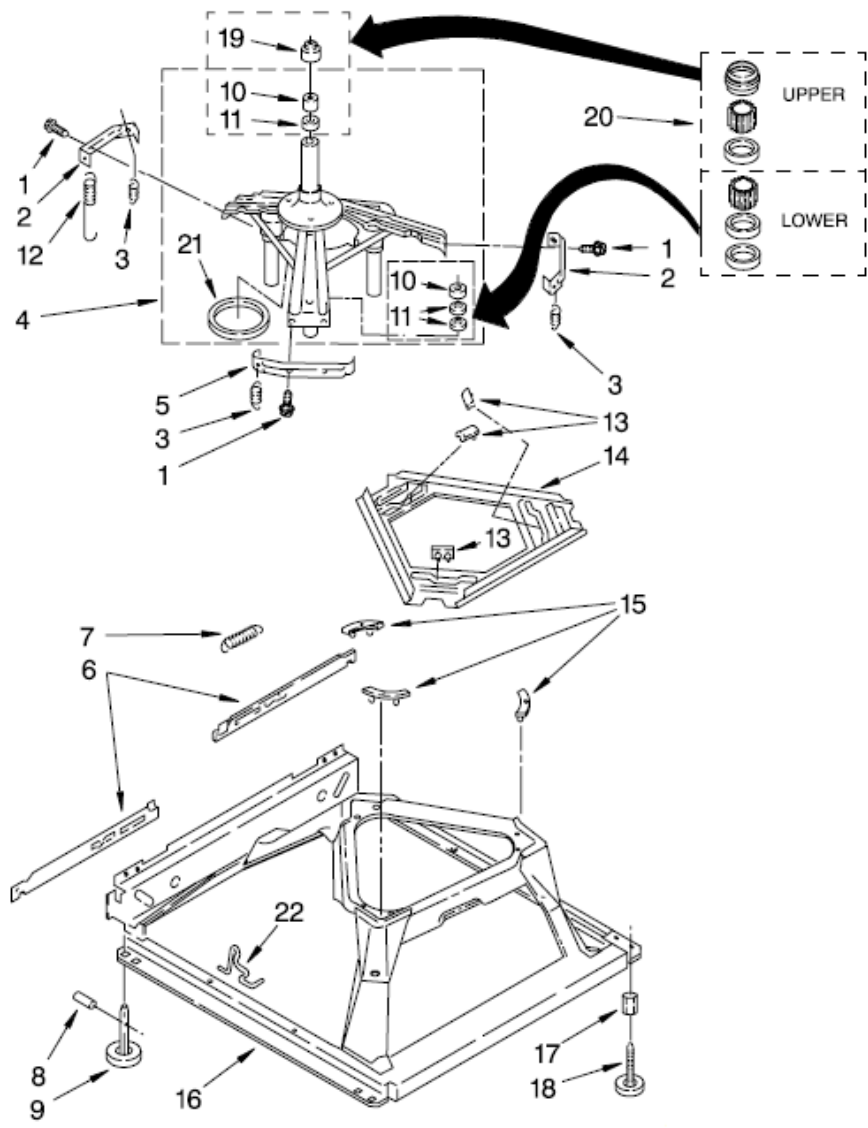


## 7MWT99900WQ0 MOTOR

| Illus. No. | Part No. | DESCRIPTION  | Illus. No. | Part No.  | DESCRIPTION                    |
|------------|----------|--|------------|-----------|--------------------------------|
| 1          | 388952   | Brake & Drive Tube (Complete) (Refer to Page 11 For Further Breakdown) | 10         | 3357334   | Screw, Gearcase To Base (3)    |
| 2          | 63292    | Washer, Spin Tube Thrust   | 11         | 62611     | Plate, Motor Mount To Gearcase |
| 3          | 62697    | Ring, Spin Tube Support  | 12         | 62691     | Grommet, Motor (4)             |
| 4          | 63283    | Ring, Retainer   | 13         | 3364003   | Coupling, Motor & Isolation    |
| 5          | 3951311  | Clutch (Complete)  | 14         | 8577374   | Seal                           |
| 6          | 3951308  | Band & Lining, Clutch (Includes Items 7 & 8)                           | 15         | 3355454   | Clip, Anti-Rattle              |
| 7          | 62646    | Cap, Clutch Spring (2)   | 16         | 3400516   | Screw                          |
| 8          | 3946792  | Spring, Clutch   | 17         | W10086010 | Retainer, Motor (2)            |
| 9          | 8532118  | Gearcase (Complete) (Refer To Page 12 For Further Breakdown)           | 18         | 3362089   | Shield, Tub To Motor           |
|            |          |  | 19         | 8528157   | Motor, Main Drive              |
|            |          |  | 20         | 3952056   | Switch, Main Drive Motor       |
|            |          |  | 21         | 8546127   | Retainer, Pump (2)             |
|            |          |  | 22         | 3363394   | Pump (Complete)                |
|            |          |  | 23         | 3387485   | Screw, 10-16 x 5/8             |
|            |          |  | 24         | 3946532   | Shield, Motor                  |



**7MWT99900WQ0 BASE**

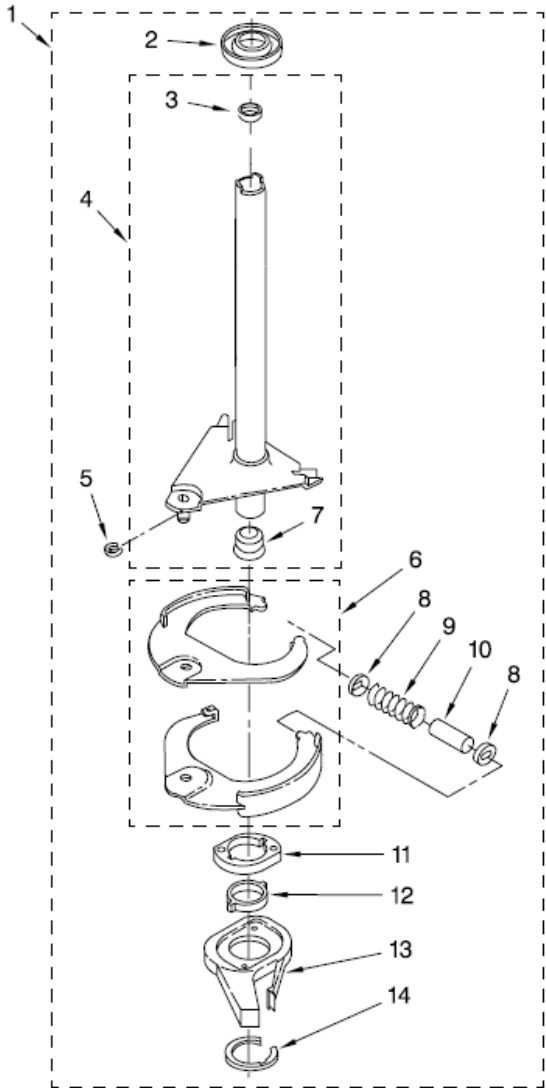




## 7MWT99900WQ0 BASE

| Illus. No. | Part No.  | DESCRIPTION  |
|------------|-----------|--|
| 1          | 3400076   | Screw, Bracket Mounting (10-32 x 5/8)                      |
| 2          | 64067     | Bracket, Spring Outer (2)                                  |
| 3          | 63907     | Spring Suspension,(3)                                      |
| 4          | 8575214   | Support & Brake, Tub                                       |
| 5          | 64065     | Bracket, Spring Outer (L.F.)                               |
| 6          | 63466     | Link, Leveling Mechanism (2)                               |
| 7          | 62597     | Spring, Leveling Mechanism                                 |
| 8          | 62837     | Pin, Knurled   |
| 9          | 62596     | Foot, Rear (2)   |
| 10         | 8546455   | Bearing, Centerpost (2)                                    |
| 11         | 357409    | Seal, Centerpost (3)                                       |
| 12         | 388492    | Spring, Counterweight                                      |
| 13         | 62568     | Pad, Plate   |
| 14         | 3946509   | Plate, Suspension (Includes Item 13)                       |
| 15         | 3363660   | Pad, Base  |
| 16         | 3946512   | Base Assembly (Includes Items 6, 7, 8, 9, 13, 14, 15 & 22) |
| 17         | 3359452   | Nut, Lock (2) (3/8-16)                                     |
| 18         | W10001130 | Foot, Front (2)  |
| 19         | 8577376   | Seal, Centerpost   |
| 20         | 285203    | Centerpost Bearing Kit (Includes Items 10, 11 & 19)        |
| 21         | 63134     | Ring, Sound Deadening                                      |
| 22         | W10145155 | Retainer, Suspension Spring                                |

**7MWT99900WQ0 FLECHA HUECA**

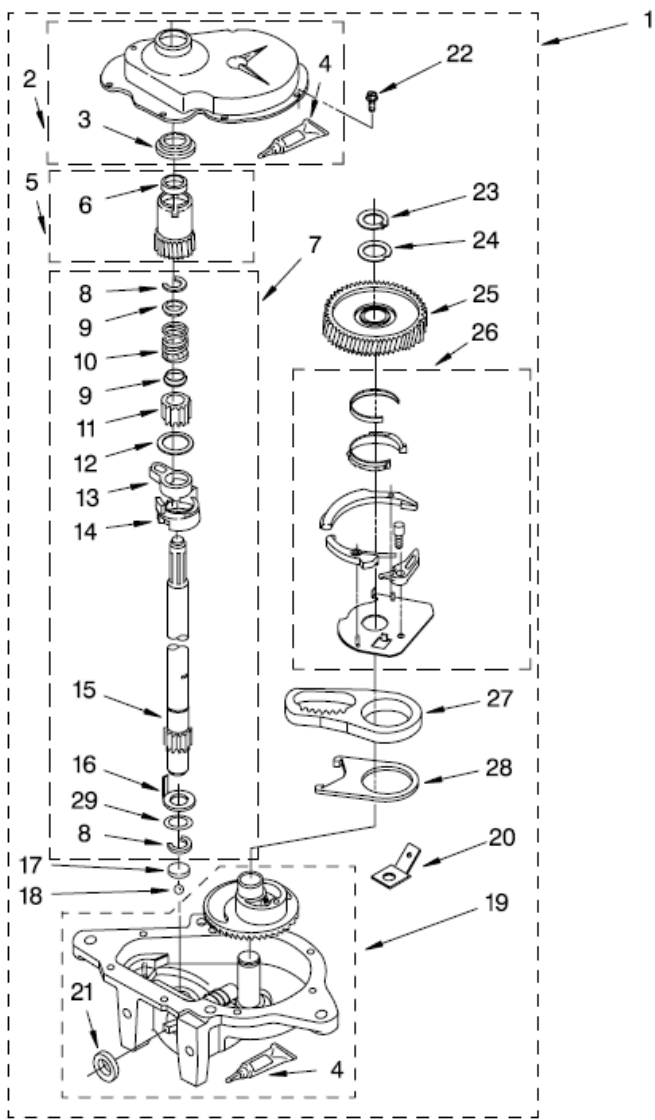




## 7MWT99900WQ0 FLECHA HUECA

| <b>Illus. No.</b> | <b>Part No.</b> | <b>DESCRIPTION</b>                               |
|-------------------|-----------------|--|
| 1                 | 388952          | Brake And Drive Tube (Complete)                  |
| 2                 | 62658           | Ring, Thrust                                     |
| 3                 | 356427          | Seal, Drive Tube                                 |
| 4                 | 64027           | Tube, Basket Drive (Includes Illus. 3, 4, 5 & 9) |
| 5                 | 64035           | Ring, Retaining                                  |
| 6                 | 64232           | Shoe, Brake (2)                                  |
| 7                 | 62703           | "T" Bearing, Spin Tube                           |
| 8                 | 3353956         | Cap, Brake Spring (2)                            |
| 9                 | 387806          | Spring, Brake                                    |
| 10                | 3355360         | Sleeve, Brake Spring                             |
| 11                | 661516          | Cam, Brake Release                               |
| 12                | 63022           | Sleeve, Cam                                      |
| 13                | 64194           | Driver, Brake Cam                                |
| 14                | 90368           | Ring, Retaining                                  |

**7MWT99900WQ0 TRANSMISION**





## 7MWT99900WQ0 TRANSMISION

| Illus. No. | Part No. | DESCRIPTION  |
|------------|----------|--|
| 1          | 8532118  | Gearcase<br>(Complete)                                 |
| 2          | 285202   | Cover, Gearcase  |
| 3          | 3349985  | Seal, Gearcase<br>Cover                                |
| 4          | 285195   | Sealer, Gasket<br>(.20 Fl. Oz.) (6 ml)                 |
| 5          | 63320    | Pinion, Spin<br>(Includes Illus. 25)                   |
| 6          | 356427   | Seal, Spin<br>Pinion                                   |
| 7          | 389387   | Shaft, Agitator<br>(Complete)                          |
| 8          | 90369    | Ring, Retaining (2)                                    |
| 9          | 62677    | Retainer, Spring (2)                                   |
| 10         | 62676    | Spring, Agitate  |
| 11         | 63273    | Gear, Agitate<br>(Includes 15 & 29)                    |
| 12         | 62619    | Washer, Agitate<br>Gear                                |
| 13         | 62580    | Cam Follower<br>(Includes 14)                          |
| 14         | 62581    | Cam, Agitate<br>(Includes 13)                          |
| 15         | 285509   | Shaft, Agitator<br>(Includes 11 & 29)                  |
| 16         | 62618    | Washer, Cam<br>Thrust                                  |
| 17         | 16018    | Bearing, Thrust<br>(Includes 18)                       |
| 18         | 85529    | Ball, Bearing<br>(Includes 17)                         |
| 19         | 389230   | Bottom and Pinion,<br>Gearcase                         |
| 20         | 3949116  | Block Tab,<br>Terminal                                 |
| 21         | 285352   | Seal, Thrust Plug                                      |
| 22         | 3351614  | Screw, Gearcase<br>Cover Mounting (8)<br>(10-24 x 3/8) |
| 23         | 3362552  | Ring, Retaining  |
| 24         | 285735   | Washer Kit,<br>Thrust                                  |
| 25         | 62570    | Gear, Spin   |
| 26         | 388253   | Neutral Assembly                                       |
| 27         | 3349296  | Rack, Connecting                                       |
| 28         | 62621    | Actuator, Shift  |
| 29         | 388815   | Washer,<br>Intermediate                                |