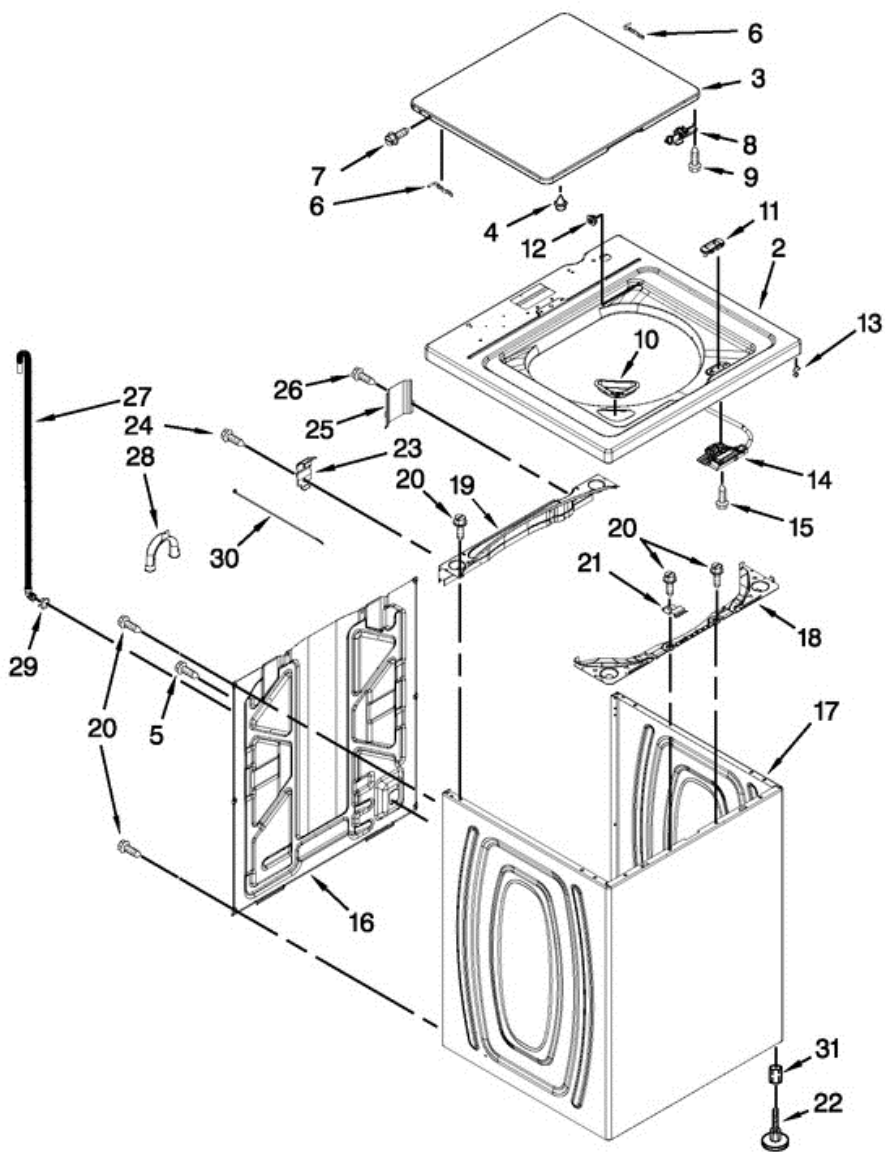


**7MWTW1502AW2 GABINETE**

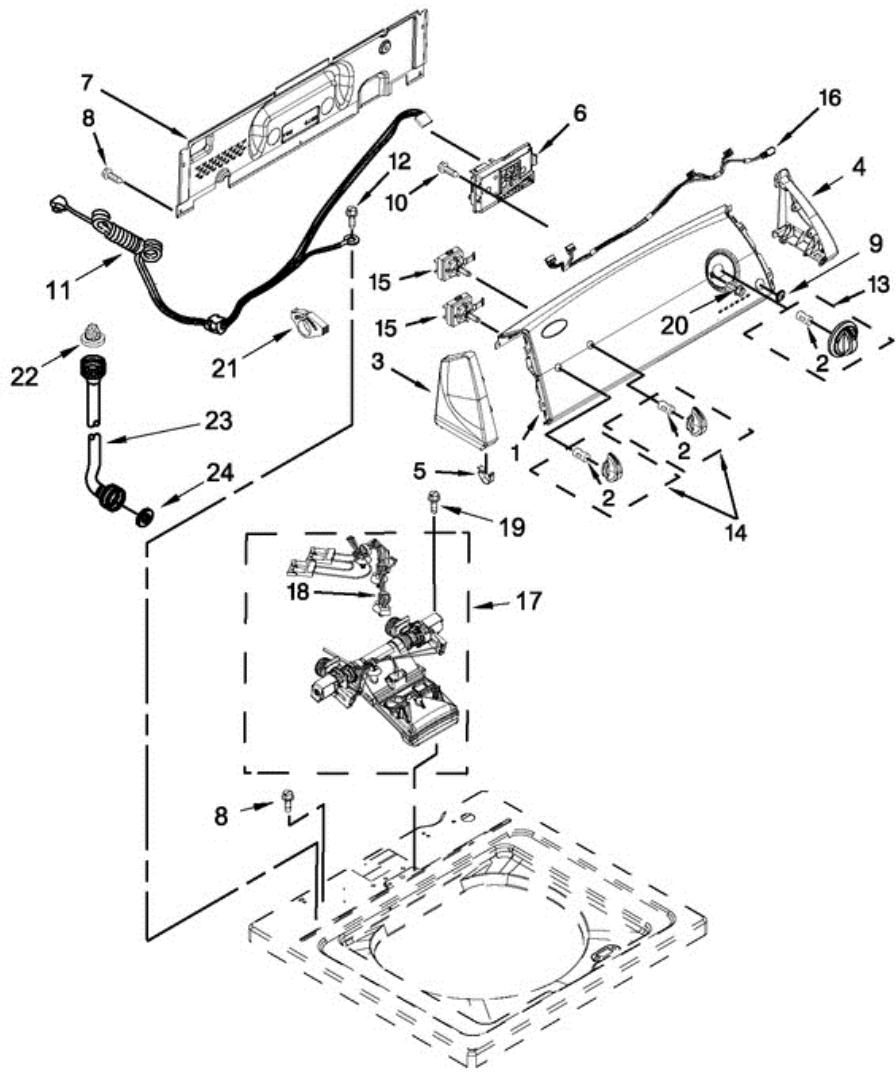




## 7MWTW1502AW2 GABINETE

2	W10251299	TOP (WHITE)
3	W10251302	LID & BUMPER ASSEMBLY (WHITE)
4	9724509	BUMPER, LID
5	9740848	SCREW
6	91770	HINGE, LID
7	W10119872	SCREW
8	W10240513	STRIKE, LID LOCK
9	W10273971	SCREW
10	W10192089	DISPENSER, BLEACH
11	W10392041	BEZEL, LID LOCK
12	21258	BEARING, LID HINGE
13	90016	CLIP, HARNESS
14	W10238287	LATCH, LID LOCK ASSEMBLY
15	8281163	SCREW
16	W10250884	PANEL REAR
17	W10251994	CABINET (WHITE)
18	W10215098	BRACE, CABINET TOP FRONT
19	W10215099	BRACE, CABINET TOP REAR
20	1157158	SCREW
21	W10248088	LOCK, TOP
22	W10397767	FOOT ASSEMBLY, LEVELING
23	W10215102	HINGE, TOP
24	W10142728	SCREW
25	W10215139	COVER, HARNESS
26	3400076	SCREW
27	W10221546	HOSE, OUTER DRAIN ASSEMBLY
28	W10280024	U-BEND, DRAIN HOSE
29	356138	CLAMP, HOSE
30	W10339879	TIE, CABLE
31	3359452	NUT, HEX

**7MWTW1502AW2 TABLERO**

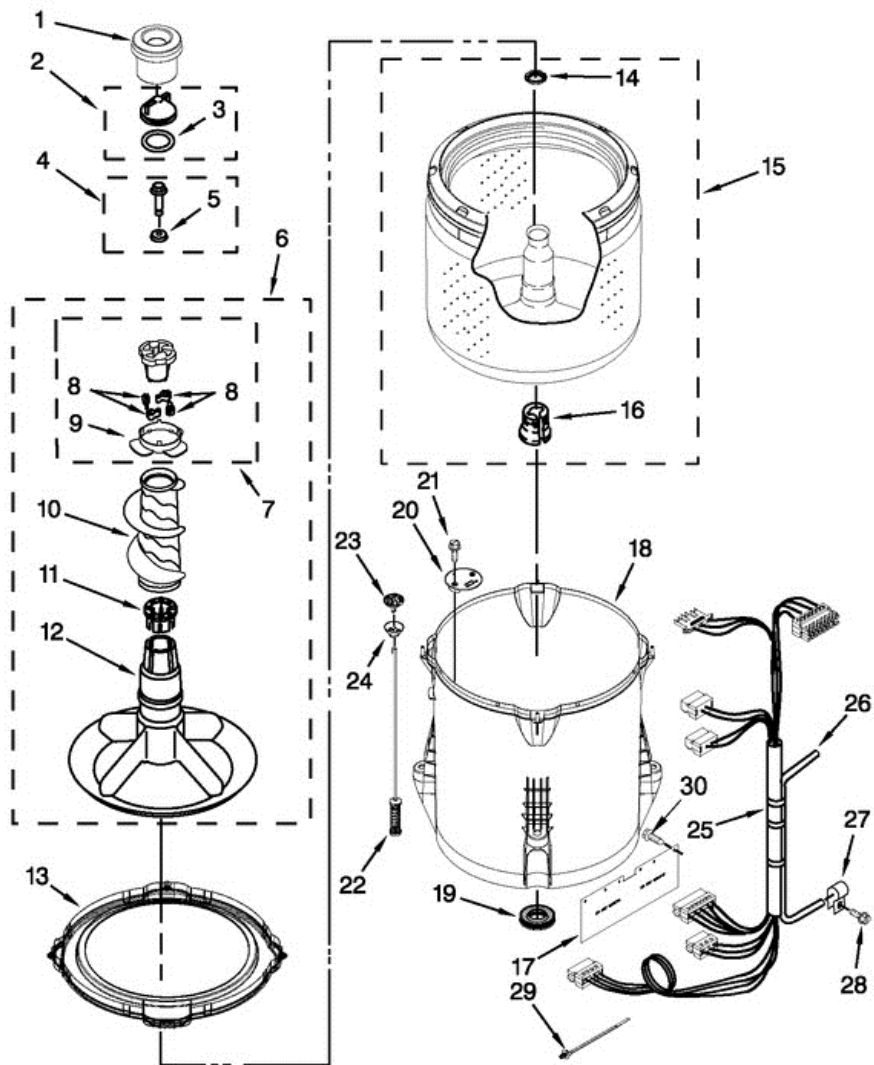




## 7MWTW1502AW2 TABLERO

1	W10465110	PANEL, CONSOLE
2	8536939	CLIP, SPRING
3	8566035	END CAP (LEFT) (WHITE)
4	8566032	END CAP (RIGHT) (WHITE)
5	8312709	CLIP, CONSOLE
6	W10538239	CONTROL UNIT ASSEMBLY, MACHINE & MOTOR
7	W10461159	PANEL, CONSOLE REAR COVER
8	1157158	SCREW
9	W10251309	PUSHBUTTON, START
10	90767	SCREW
11	W10525194	CORD, POWER
12	3400076	SCREW
13	W10034750	KNOB, TIMER (WHITE/METALLIC)
14	W10034380	KNOB, CONTROL (WHITE/METALLIC)
15	W10285512	SWITCH, ROTARY ENCODER (4 POSITION)
16	W10537670	HARNESS, UPPER
17	W10472844	INLET ASSEMBLY, WATER
18	W10423127	HARNESS, VALVE
19	8281163	SCREW
20	3400818	SCREW
21	W10348582	CLAMP, HOSE
22	353362	WASHER, FILTER
23	W10194210	HOSE, WATER INLET (COLD WATER)
23	W10194211	HOSE, WATER INLET (HOT WATER)
24	W10242307	WASHER, INLET HOSE

**7MWTW1502AW2 TINAS**

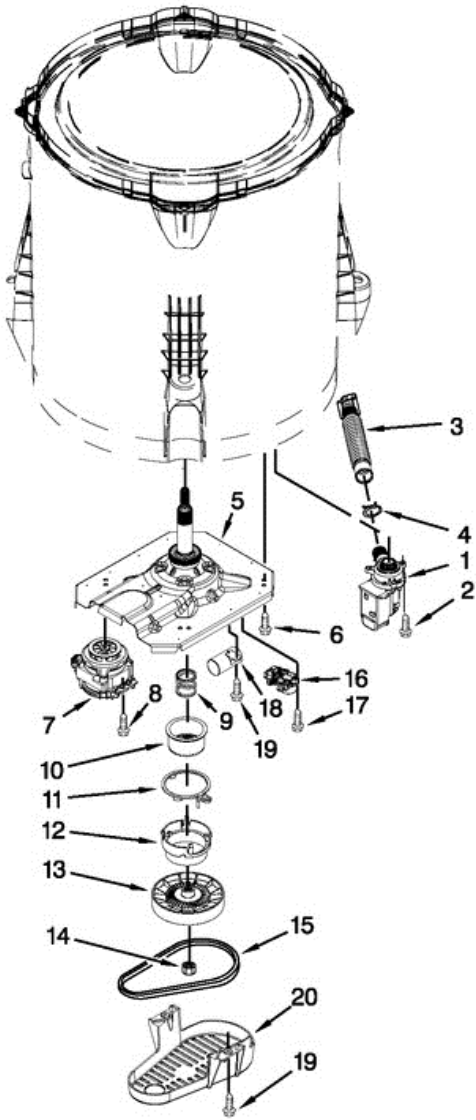




## 7MWTW1502AW2 TINAS

1	8575076	DISPENSER, FABRIC SOFTENER
2	3354733	CAP, BARRIER
3	W10072840	SEAL, INNER CAP
4	W10003790	SCREW & WASHER
5	3949550	WASHER
6	3348117	AGITATOR (COMPLETE)
7	3363663	CAM, DRIVEN
8	3366877	DOG, AGITATOR CLUTCH
9	3363661	BEARING, CAM
10	3348752	MOVER, CLOTHES
11	3350389	SPACER, THRUST
12	3347288	AGITATOR
13	W10215108	RING, TUB
14	21366	NUT, SPANNER
15	W10389330	BASKET ASSEMBLY
16	389140	BLOCK, BASKET DRIVE
17	W10339098	SHIELD, SPLASH
18	W10238320	TUB (INCLUDES TUB SEAL)
19	W10006371	SEAL, TUB
20	W10215093	FILTER, DRAIN PUMP
21	8533928	SCREW
22	W10257088	DAMPER ASSY, TUB SUSPENSION (SET OF 4- INCLUDES BALL & BUSHING)
23	W10405423	BALL, SUSPENSION
24	W10256551	BUSHING - UPPER SUSPENSION
25	W10504125	HARNESS, LOWER (INCL. PRESSURE HOSE & CABLE)
26	W10297436	HOSE, PRESSURE SWITCH
27	W10005430	CLAMP, CABLE
28	8533943	SCREW
29	W10267532	CABLE TIE
30	W10429200	RETAINER, PUSH IN

**7MWTW1502AW2 TRANSMISION**





## 7MWTW1502AW2 TRANSMISION

1	W10465543	PUMP ASSEMBLY, DRAIN
2	W10004910	SCREW
3	W10444123	HOSE, INNER DRAIN ASSEMBLY
4	8317496	CLAMP, HOSE
5	W10473144	GEARCASE ASSEMBLY
6	W10249633	SCREW
7	W10416668	MOTOR, DRIVE
8	W10094780	SCREW
9	W10006382	SPRING, SPLUTCH
10	W10006352	SLIDER, SPLUTCH
11	W10006353	CAM RING, SPLUTCH
12	W10006354	CAM, SPLUTCH
13	W10006356	PULLEY
14	W10163336	NUT, PULLEY
15	W10006384	BELT, DRIVE
16	W10006355	ACTUATOR, SHIFT
17	9741052	SCREW
18	W10390451	CAPACITOR, MOTOR RUN
19	357640	SCREW
20	W10427633	SHIELD, PULLEY COVER