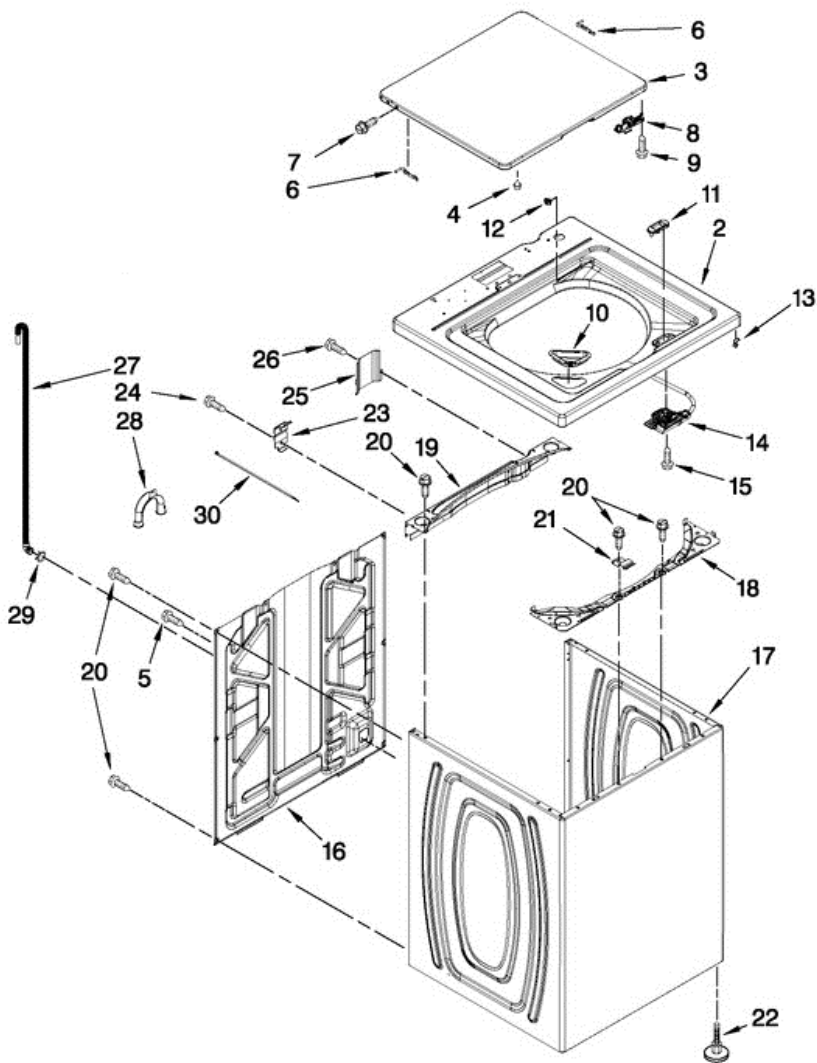


7MWTW1709YM0 GABINETE

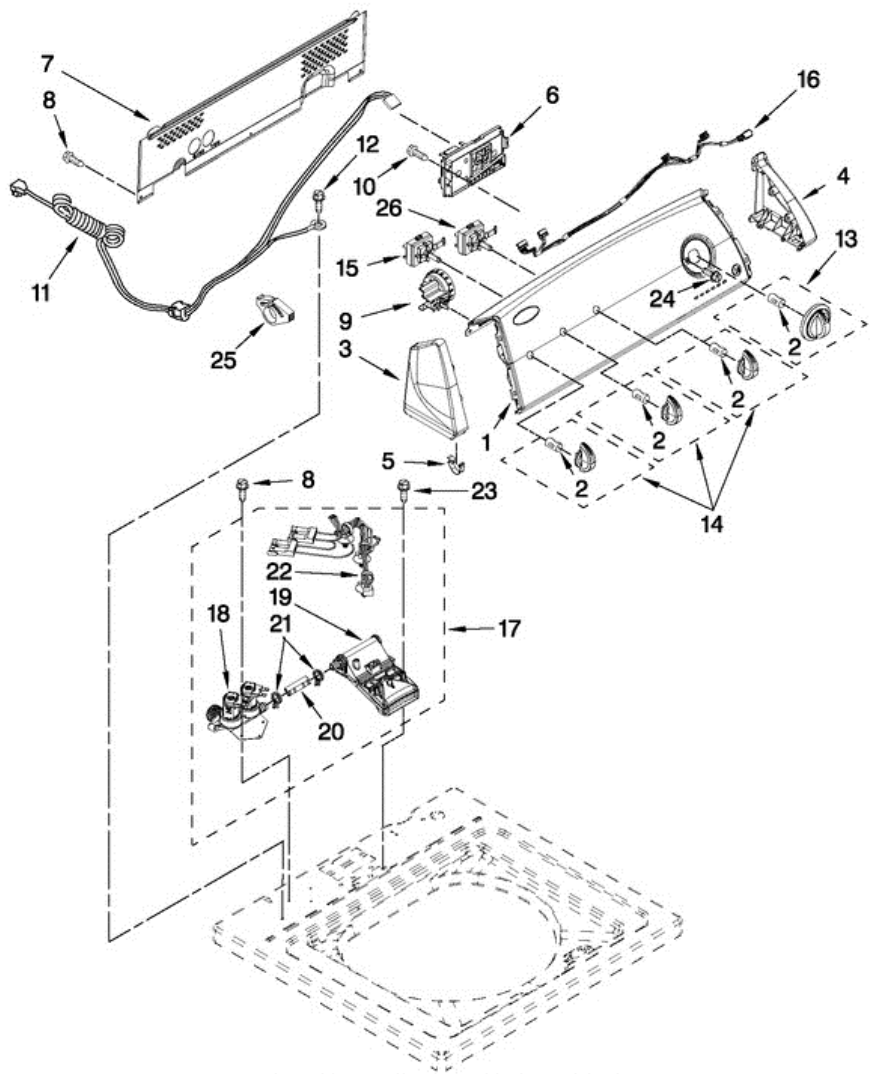




## 7MWTW1709YM0 GABINETE

|    |           |                                               |
|----|-----------|-----------------------------------------------|
| 2  | W10251319 | TOP                                           |
| 3  | W10338652 | LID (INCLUDES ITEM 4)                         |
| 4  | 9724509   | BUMPER, LID                                   |
| 5  | 9740848   | SCREW, 8-18 X 1/2                             |
| 6  | 91770     | HINGE, LID                                    |
| 7  | W10119872 | SCREW, LID HINGE                              |
| 8  | W10240513 | STRIKE, LID LOCK                              |
| 9  | W10273971 | SCREW, 6-19 X 1/2                             |
| 10 | W10192089 | DISPENSER, BLEACH                             |
| 11 | W10240511 | BEZEL, LID LOCK                               |
| 12 | 21258     | BEARING, LID HINGE                            |
| 13 | 90016     | CLIP, LID LOCK HARNESS                        |
| 14 | W10238287 | LATCH, LID LOCK ASSEMBLY                      |
| 15 | 8281163   | SCREW 8-16 X 1/2                              |
| 16 | W10250884 | PANEL REAR                                    |
| 17 | W10251994 | CABINET (INCLUDES ITEM 22)                    |
| 18 | W10215098 | BRACE, CABINET TOP FRONT                      |
| 19 | W10215099 | BRACE, CABINET TOP REAR                       |
| 20 | 1157158   | SCREW, 8-18 X 3/8                             |
| 21 | W10248088 | LOCK, TOP                                     |
| 22 | W10335586 | FOOT ASSEMBLY, LEVELING                       |
| 23 | W10215102 | HINGE, TOP                                    |
| 24 | W10142728 | SCREW, 8-32 X 3/8                             |
| 25 | W10215139 | COVER, HARNESS                                |
| 26 | 3400076   | SCREW, 10-23 X 5/8                            |
| 27 | W10221546 | HOSE, OUTER DRAIN ASSEMBLY (INCLUDES 28 & 29) |
| 28 | W10280024 | U-BEND, DRAIN HOSE                            |
| 29 | 356138    | CLAMP, HOSE                                   |
| 30 | W10339879 | CABLE TIE                                     |

**7MWTW1709YM0 TABLERO**

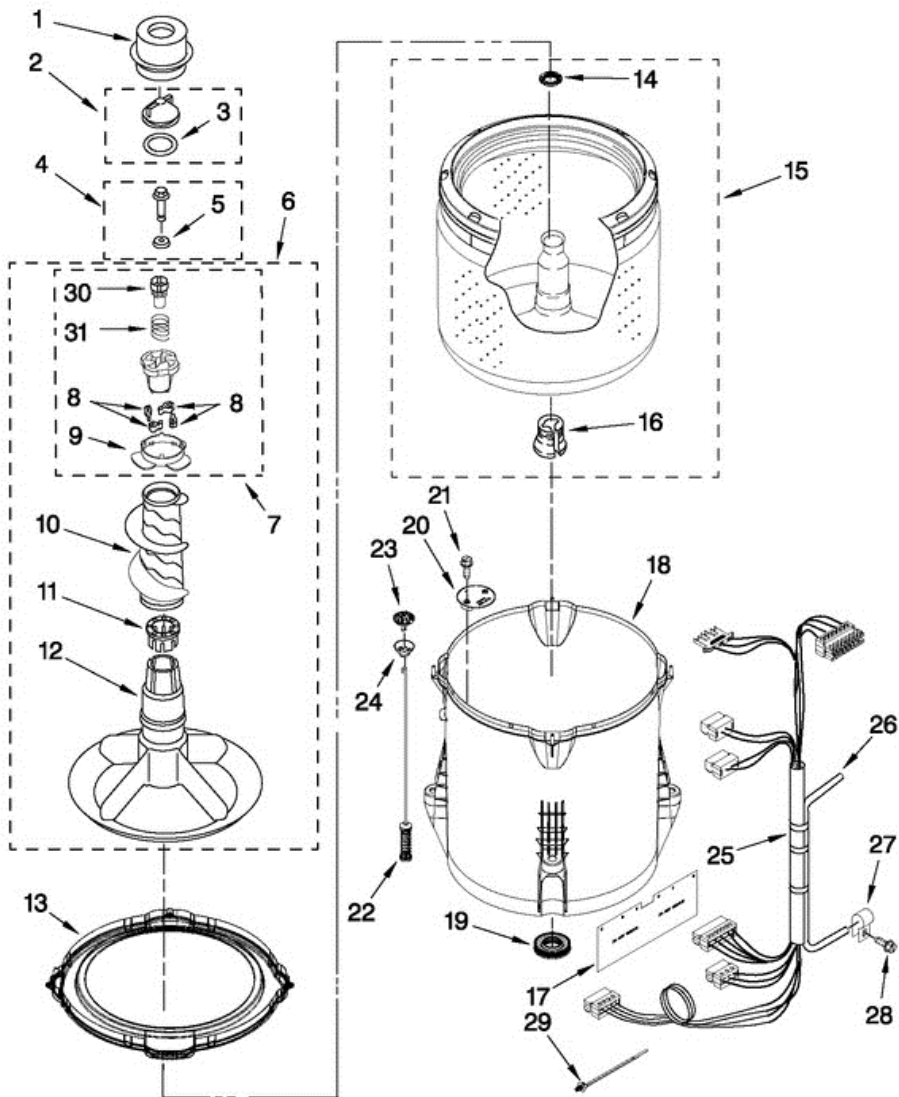




## 7MWTW1709YM0 TABLERO

|    |           |                                        |
|----|-----------|----------------------------------------|
| 1  | W10354018 | PANEL, CONSOLE                         |
| 2  | 8536939   | CLIP, KNOB                             |
| 3  | 8566035   | CAP, END (L.H.) (INCLUDES ITEM 5)      |
| 4  | 8566032   | CAP, END (R.H.) (INCLUDES ITEM 5)      |
| 5  | 8312709   | CLIP, CONSOLE                          |
| 6  | W10296043 | CONTROL UNIT ASSEMBLY, MACHINE & MOTOR |
| 7  | W10251310 | PANEL, CONSOLE REAR COVER              |
| 8  | 1157158   | SCREW, 8-18 X 3/8                      |
| 9  | W10268910 | SWITCH, WATER LEVEL                    |
| 10 | 90767     | SCREW, 8-18 X 3/8                      |
| 11 | W10276649 | CORD, POWER                            |
| 12 | 3400076   | SCREW, POWER CORD GROUND               |
| 13 | W10034750 | KNOB, TIMER                            |
| 14 | W10034380 | KNOB, CONTROL                          |
| 15 | W10285511 | SWITCH, ROTARY ENCODER                 |
| 16 | W10291174 | HARNESS, UPPER                         |
| 17 | W10357189 | INLET ASSEMBLY, WATER                  |
| 18 | W10352256 | VALVE, WATER MIXING                    |
| 19 | W10334611 | VACUUM BREAK                           |
| 20 | W10238347 | HOSE, VACUUM BREAK                     |
| 21 | W10117298 | CLAMP, HOSE                            |
| 22 | W10337345 | HARNESS, VALVE                         |
| 23 | 8281163   | SCREW 8-16 X 1/2                       |
| 24 | 3400818   | SCREW, 8-18 X .20                      |
| 25 | W10348582 | CLAMP                                  |
| 26 | W10285512 | SWITCH, ROTARY ENCODER                 |

**7MWTW1709YM0 TINAS**





## 7MWTW1709YM0 TINAS

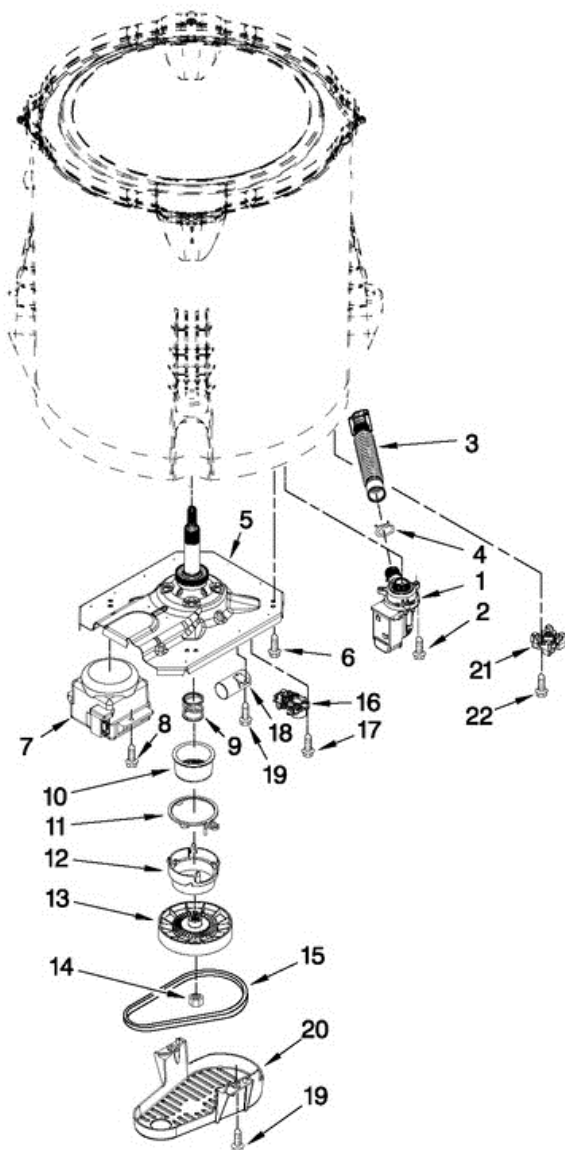
|    |           |                                                |
|----|-----------|------------------------------------------------|
| 1  | 8543478   | DISPENSER, FABRIC SOFTENER                     |
| 2  | 3354733   | CAP, BARRIER                                   |
| 3  | W10072840 | FABRIC SOFTENER                                |
| 4  | W10003790 | SCREW & WASHER ASSEMBLY                        |
| 5  | 3949550   | WASHER                                         |
| 6  | 8578210   | AGITATOR, COMPLETE ASSEMBLY                    |
| 7  | 8537434   | CAM, DRIVEN                                    |
| 8  | 3366877   | DOG, AGITATOR CLUTCH                           |
| 9  | 8055141   | BEARING, CAM                                   |
| 10 | 8054468   | CLOTHES MOVER                                  |
| 11 | 8055228   | SPACER, THRUST                                 |
| 12 | 8578209   | AGITATOR                                       |
| 13 | W10215108 | RING, TUB                                      |
| 14 | 21366     | NUT, SPANNER                                   |
| 15 | W10238308 | BASKET ASSEMBLY                                |
| 16 | 389140    | BLOCK, BASKET DRIVE                            |
| 17 | W10339098 | SHIELD, SPLASH                                 |
| 18 | W10238320 | TUB (INCLUDES ITEM 19)                         |
| 19 | W10006371 | SEAL, TUB                                      |
| 20 | W10215093 | FILTER, DRAIN PUMP                             |
| 21 | 8533928   | SCREW, 8-18 X 3/4                              |
| 22 | W10257088 | DAMPER ASSEMBLY (SET OF 4-INCLUDES 23 & 24)    |
| 23 | W10215136 | BALL, SUSPENSION (SET OF 4 - INCLUDES ITEM 24) |
| 24 | W10256551 | BUSHING, SUSP. (SET OF 4 - INCLUDES ITEM 23)   |
| 25 | W10297444 | HARNESS, LOWER (INCLUDES ITEMS 26 & 29)        |
| 26 | W10297442 | HOSE, PRESSURE SWITCH                          |
| 27 | W10005430 | CLAMP, PRESSURE HOSE RETAINER                  |
| 28 | 8533943   | SCREW, 10-16 X 3/4                             |
| 29 | W10298887 | CABLE TIE                                      |
| 30 | 8533540   | RETAINER, SPRING                               |
| 31 | 8055140   | SPRING, COMPRESSION                            |

Distribuidor Autorizado

SurteRápido.com

Venta de Refacciones  
Electrodomesticas

## 7MWTW1709YM0 TRANSMISION





## 7MWTW1709YM0 TRANSMISION

|    |           |                                                   |
|----|-----------|---------------------------------------------------|
| 1  | W10276397 | PUMP ASSEMBLY, DRAIN                              |
| 2  | W10004910 | SCREW, 12-16 X 1.25                               |
| 3  | W10215091 | HOSE, INNER DRAIN ASSEMBLY                        |
| 4  | 8317496   | CLAMP, HOSE                                       |
| 5  | W10006378 | GEARCASE ASSEMBLY                                 |
| 6  | W10249633 | SCREW, 7.2-1.6 X 30                               |
| 7  | W10006415 | MOTOR, DRIVE                                      |
| 8  | W10094780 | SCREW, M8-1.25 X 20                               |
| 9  | W10006382 | SPRING, SPLUTCH (INCLUDES ITEMS 10, 11, 12 & 13)  |
| 10 | W10006352 | SLIDER, SPLUTCH (INCLUDES ITEMS 9, 11, 12 & 13)   |
| 11 | W10006353 | CAM RING, SPLUTCH (INCLUDES ITEMS 9, 10, 12 & 13) |
| 12 | W10006354 | CAM, SPLUTCH (INCLUDES ITEMS 9, 10, 11 & 13)      |
| 13 | W10006356 | PULLEY                                            |
| 14 | W10163336 | NUT, PULLEY                                       |
| 15 | W10006384 | BELT, DRIVE                                       |
| 16 | W10006355 | ACTUATOR, SHIFT                                   |
| 17 | 9741052   | SCREW, 6-32 X 1.00                                |
| 18 | W10278556 | CAPACITOR, MOTOR RUN                              |
| 19 | 357640    | SCREW, 10-16 X 5/8                                |
| 20 | W10006383 | SHIELD, PULLEY COVER                              |
| 21 | W10238318 | COUNTERWEIGHT                                     |
| 22 | W10238319 | SCREW, 8-18 X 1.00                                |