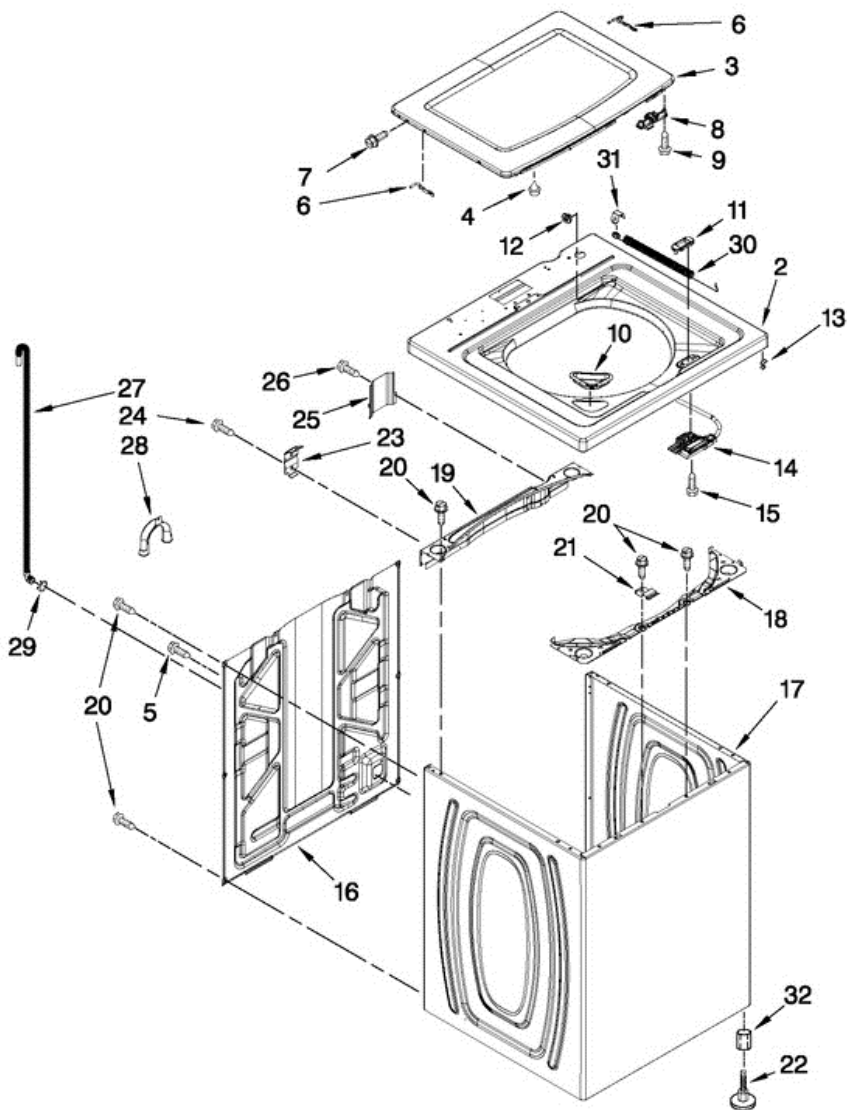


**7MWTW1710YM1 GABINETE**

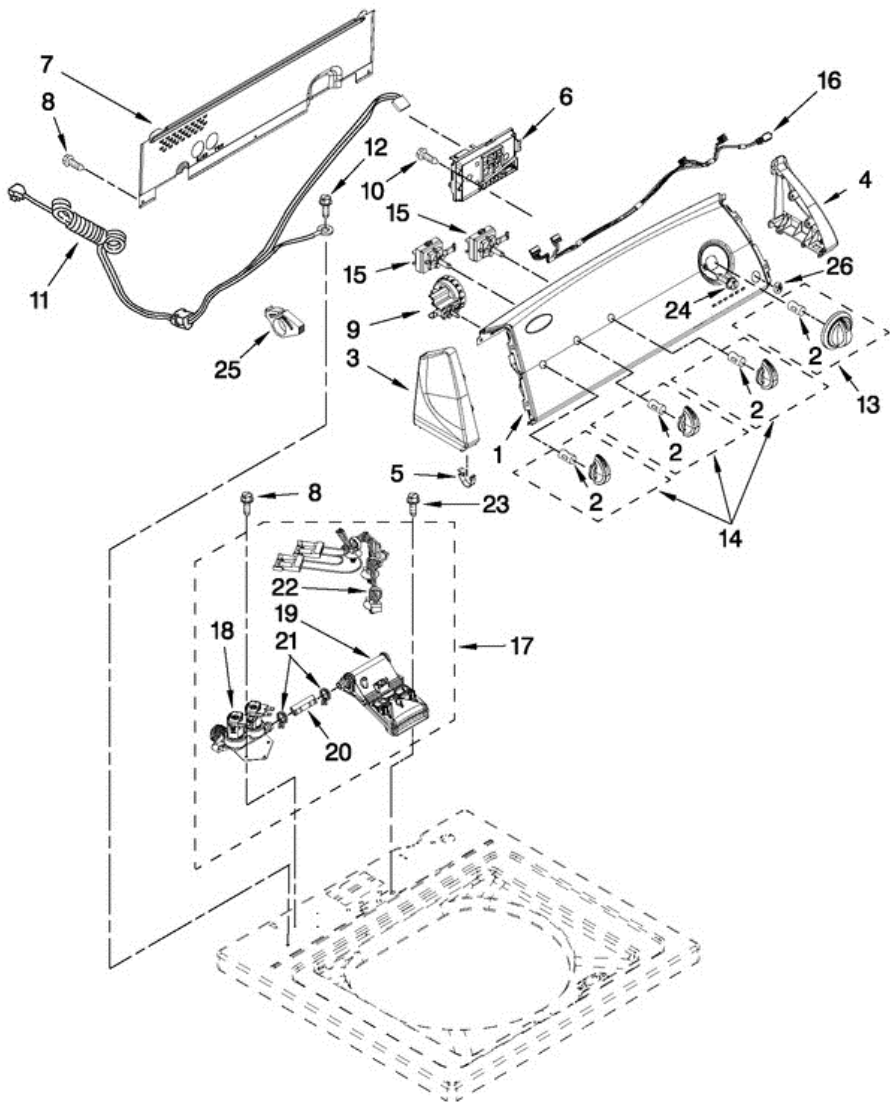




## 7MWTW1710YM1 GABINETE

2	W10354405	TOP
3	W10354410	LID (INCLUDES ITEM 4)
4	9724509	BUMPER, LID
5	9740848	SCREW, 8-18 X 1/2
6	91770	HINGE, LID (LEFT HAND)
6	W10202542	HINGE, LID (RIGHT HAND)
7	W10119872	SCREW, LID HINGE
8	W10240513	STRIKE, LID LOCK
9	W10273971	SCREW, 6-19 X 1/2
10	W10192089	DISPENSER, BLEACH
11	W10392041	BEZEL, LID LOCK
12	8319539	BEARING, LID HINGE
13	90016	CLIP, LID LOCK HARNESS
14	W10238287	LATCH, LID LOCK ASSEMBLY
15	8281163	SCREW 8-16 X 1/2
16	W10250884	PANEL REAR
17	W10251994	CABINET (INCLUDES ITEMS 18, 19, 20 & 22)
18	W10215098	BRACE, CABINET TOP FRONT
19	W10215099	BRACE, CABINET TOP REAR
20	1157158	SCREW, 8-18 X 3/8
21	W10248088	LOCK, TOP
22	W10335586	FOOT ASSEMBLY, LEVELING
23	W10215102	HINGE, TOP
24	W10142728	SCREW, 8-32 X 3/8
25	W10215139	COVER, HARNESS
26	3400076	SCREW, 10-23 X 5/8
27	W10221546	HOSE, OUTER DRAIN ASSEMBLY (INCLUDES 28 & 29)
28	W10280024	U-BEND, DRAIN HOSE
29	356138	CLAMP, HOSE
30	W10354402	SPRING, LID
31	3350828	CLIP-CYLINDER RETAINER
32	3359452	NUT, LOCKING

**7MWTW1710YM1 TABLERO**

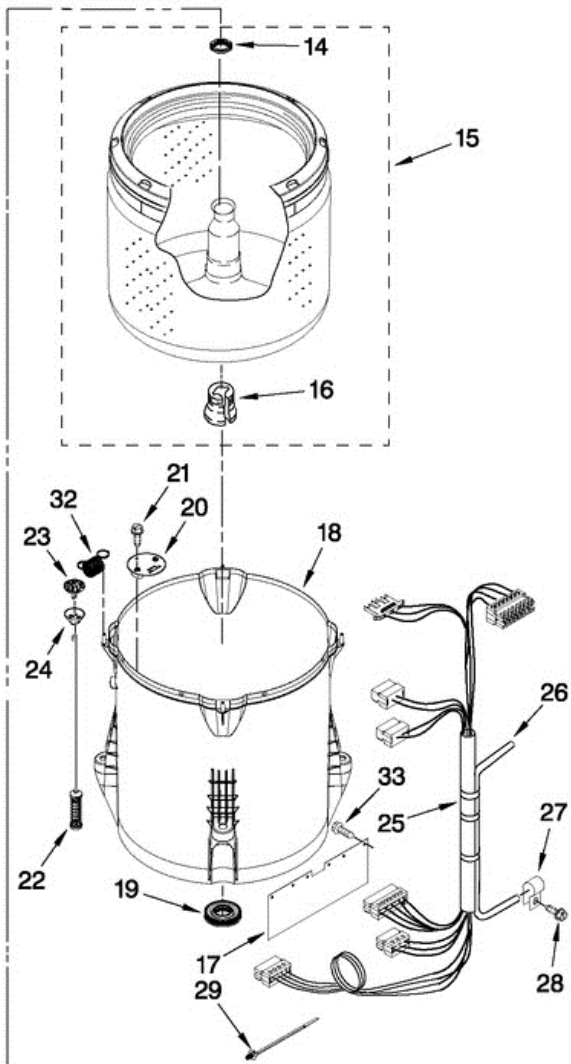
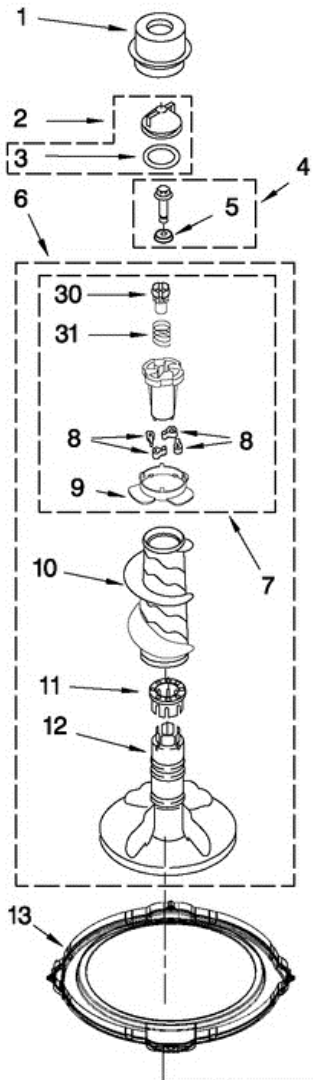




**7MWTW1710YM1 TABLERO**

1	W10354019	PANEL, CONSOLE
2	8536939	CLIP, KNOB
3	8566035	CAP, END (L.H.) (INCLUDES ITEM 5)
4	8566032	CAP, END (R.H.) (INCLUDES ITEM 5)
5	8312709	CLIP, CONSOLE
6	W10445328	CONTROL UNIT ASSEMBLY, MACHINE & MOTOR
7	W10420985	PANEL, CONSOLE REAR COVER
8	1157158	SCREW, 8-18 X 3/8
9	W10268911	SWITCH, WATER LEVEL
10	90767	SCREW, 8-18 X 3/8
11	W10276649	CORD, POWER
12	3400076	SCREW, POWER CORD GROUND
13	W10034750	KNOB, TIMER
14	W10034380	KNOB, CONTROL
15	W10285512	SWITCH, ROTARY ENCODER
16	W10291174	HARNESS, UPPER
17	W10357189	INLET ASSEMBLY, WATER
18	W10352256	VALVE, WATER MIXING
19	W10441423	VACUUM BREAK
20	W10238347	HOSE, VACUUM BREAK
21	W10117298	CLAMP, HOSE
22	W10337345	HARNESS, VALVE
23	8281163	SCREW 8-16 X 1/2
24	3400818	SCREW, 8-18 X .20
25	W10348582	CABLE TIE
26	W10251309	PUSHBUTTON, START

**7MWTW1710YM1 TINAS**





## 7MWTW1710YM1 TINAS

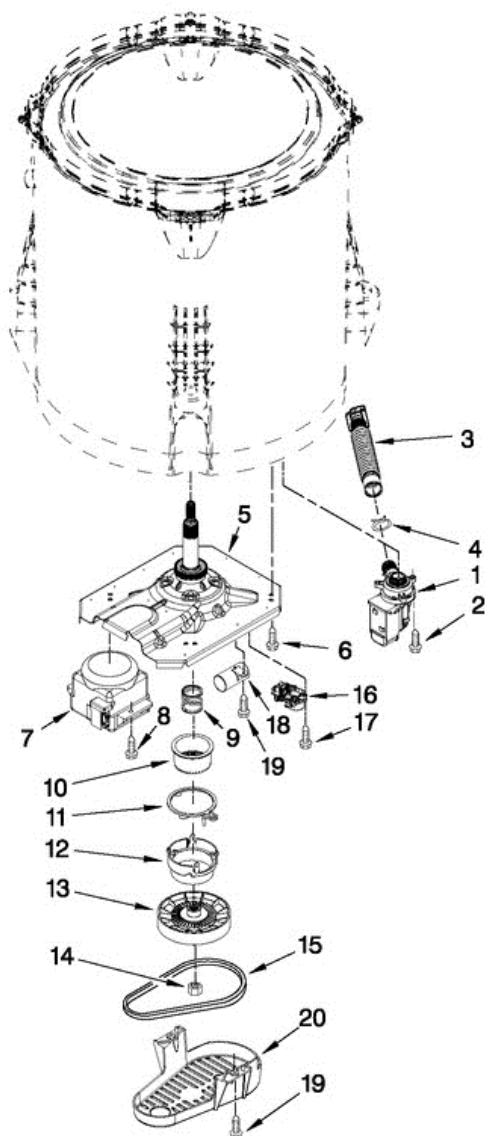
1	8580006	DISPENSER, FABRIC SOFTENER
2	3354733	CAP, BARRIER
3	W10072840	SEAL, INNER CAP
4	W10003790	SCREW & WASHER ASSEMBLY
5	3949550	WASHER
6	8578210	AGITATOR, COMPLETE ASSEMBLY
7	8537434	CAM, DRIVEN
8	3366877	DOG, AGITATOR CLUTCH
9	8055141	BEARING, CAM
10	8054468	CLOTHES MOVER
11	8055228	SPACER, THRUST
12	8578209	AGITATOR
13	W10215108	RING, TUB
14	21366	NUT, SPANNER
15	W10358261	BASKET ASSEMBLY
16	389140	BLOCK, BASKET DRIVE
17	W10339098	SHIELD, SPLASH
18	W10238320	TUB (INCLUDES ITEM 19)
19	W10006371	SEAL, TUB
20	W10215093	FILTER, DRAIN PUMP
21	8533928	SCREW, 8-18 X 3/4
22	W10257088	DAMPER ASS. TUB SUSPENSION (SET OF 4-INC. 23,24)
23	W10215136	BALL, SUSPENSION (SET OF 4 - INCLUDES ITEM 24)
24	W10256551	BUSHING, SUSPENSION (SET OF 4 - INCLUDES 23)
25	W10297444	HARNESS, LOWER (INCLUDES ITEMS 26 & 29)
26	353244	HOSE, PRESSURE SWITCH
27	W10005430	CLAMP, PRESSURE HOSE RETAINER
28	8533943	SCREW, 10-16 X 3/4
29	W10298887	CABLE TIE
30	8533540	RETAINER, SPRING
31	8055140	SPRING, COMPRESSION
32	W10348658	SPRING, TUB CENTERING
33	W10429200	RETAINER, PUSH IN

Distribuidor Autorizado

SurteRápido.com

Venta de Refacciones  
Electrodomesticas

## 7MWTW1710YM1 TRANSMISION





## 7MWTW1710YM1 TRANSMISION

1	W10276397	PUMP ASSEMBLY, DRAIN
2	W10004910	SCREW, 12-16 X 1.25
3	W10215091	HOSE, INNER DRAIN ASSEMBLY
4	8317496	CLAMP, HOSE
5	W10006378	GEARCASE ASSEMBLY
6	W10249633	SCREW, 7.2-1.6 X 30
7	W10006425	MOTOR, DRIVE
8	W10094780	SCREW, M8-1.25 X 20
9	W10006382	SPRING, SPLUTCH (INCLUDES ITEMS 10, 11, 12 & 13)
10	W10006352	SLIDER, SPLUTCH (INCLUDES ITEMS 9, 11, 12 & 13)
11	W10006353	CAM RING, SPLUTCH (INCLUDES ITEMS 9, 10, 12 & 13)
12	W10006354	CAM, SPLUTCH (INCLUDES ITEMS 9, 10, 11 & 13)
13	W10006356	PULLEY
14	W10163336	NUT, PULLEY
15	W10006384	BELT, DRIVE
16	W10006355	ACTUATOR, SHIFT
17	9741052	SCREW, 6-32 X 1.00
18	W10278556	CAPACITOR, MOTOR RUN
19	357640	SCREW, 10-16 X 5/8
20	W10006383	SHIELD, PULLEY COVER