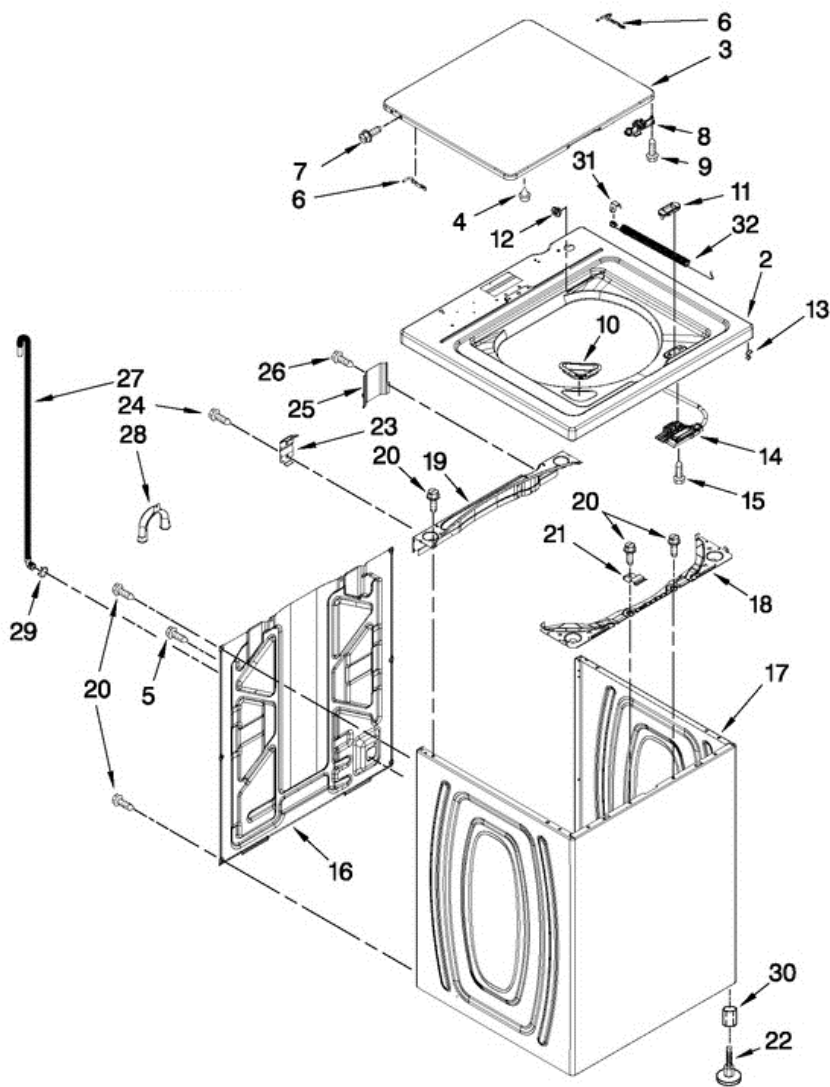


**7MWTW1812AW0 GABINETE**

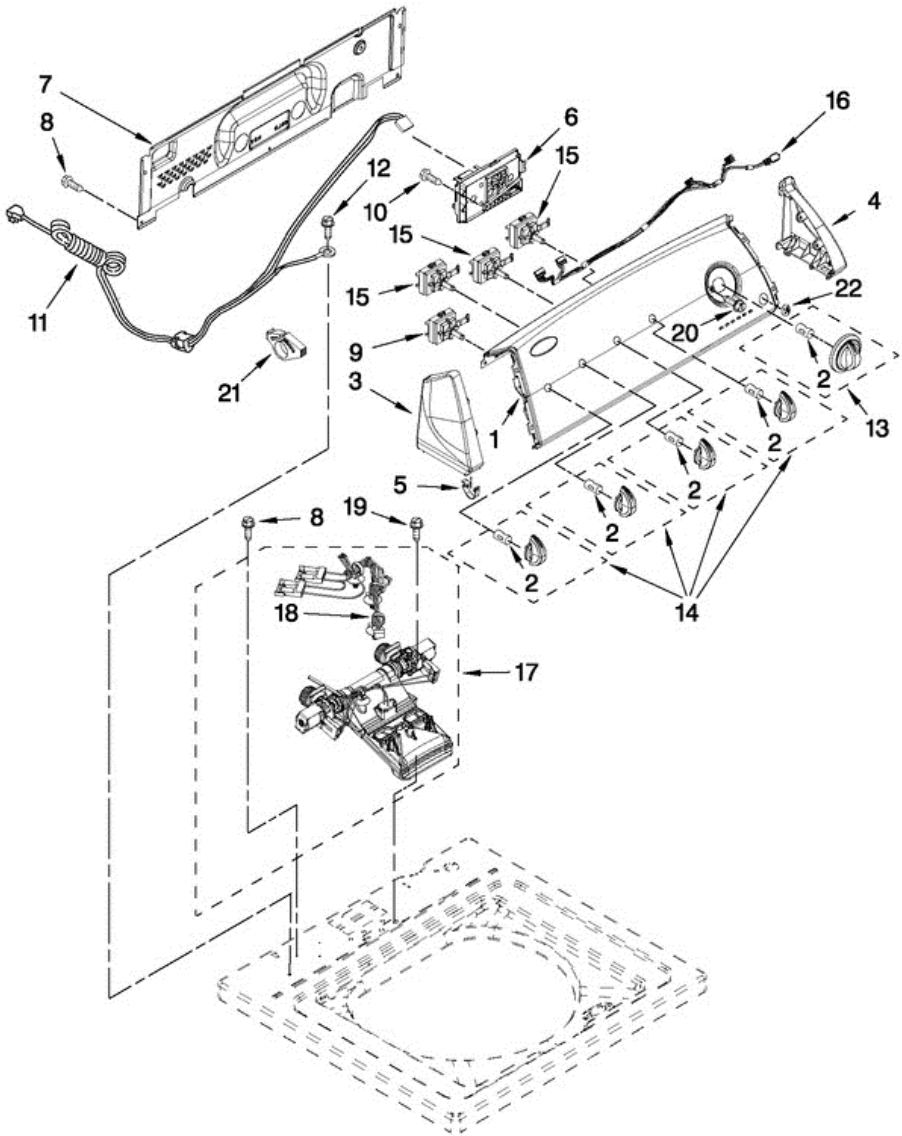




## 7MWTW1812AW0 GABINETE

|    |           |  |
|----|-----------|--|
| 2  | W10354405 | TOP  |
| 3  | W10354410 | LID (INCLUDES ITEM 4)                      |
| 4  | 9724509   | BUMPER, LID                                |
| 5  | 9740848   | SCREW                                      |
| 6  | 91770     | HINGE, LID (LEFT HINGE)                    |
| 6  | W10202542 | HINGE, LID (RIGHT HINGE)                   |
| 7  | W10119872 | SCREW                                      |
| 8  | W10240513 | STRIKE, LID LOCK                           |
| 9  | W10273971 | SCREW                                      |
| 10 | W10192089 | DISPENSER, BLEACH                          |
| 11 | W10392041 | BEZEL, LID LOCK                            |
| 12 | 8319539   | BEARING, LID HINGE                         |
| 13 | 90016     | CLIP, LID LOCK HARNESS                     |
| 14 | W10238287 | LATCH, LID LOCK ASSEMBLY                   |
| 15 | 8281163   | SCREW                                      |
| 16 | W10250884 | PANEL REAR                                 |
| 17 | W10251994 | CABINET (INCLUDES ITEMS 18, 19, 20 & 22)   |
| 18 | W10215098 | BRACE, CABINET TOP - FRONT                 |
| 19 | W10215099 | BRACE, CABINET TOP REAR                    |
| 20 | 1157158   | SCREW                                      |
| 21 | W10248088 | LOCK, TOP                                  |
| 22 | W10397767 | FOOT ASSEMBLY, LEVELING                    |
| 23 | W10215102 | HINGE, TOP                                 |
| 24 | W10142728 | SCREW                                      |
| 25 | W10215139 | COVER, HARNESS                             |
| 26 | 3400076   | SCREW                                      |
| 27 | W10221546 | HOSE, OUTER DRAIN ASSEMBLY (INCL. 28 & 29) |
| 28 | W10280024 | U-BEND, DRAIN HOSE                         |
| 29 | 356138    | CLAMP, HOSE                                |
| 30 | 3359452   | NUT, LOCKING                               |
| 31 | 3350828   | CLIP, RETAINER                             |
| 32 | W10354402 | SPRING, LID                                |

**7MWTW1812AW0 TABLERO**

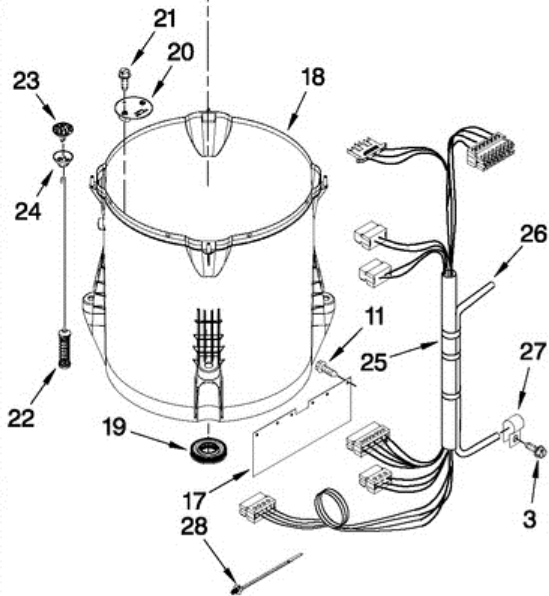
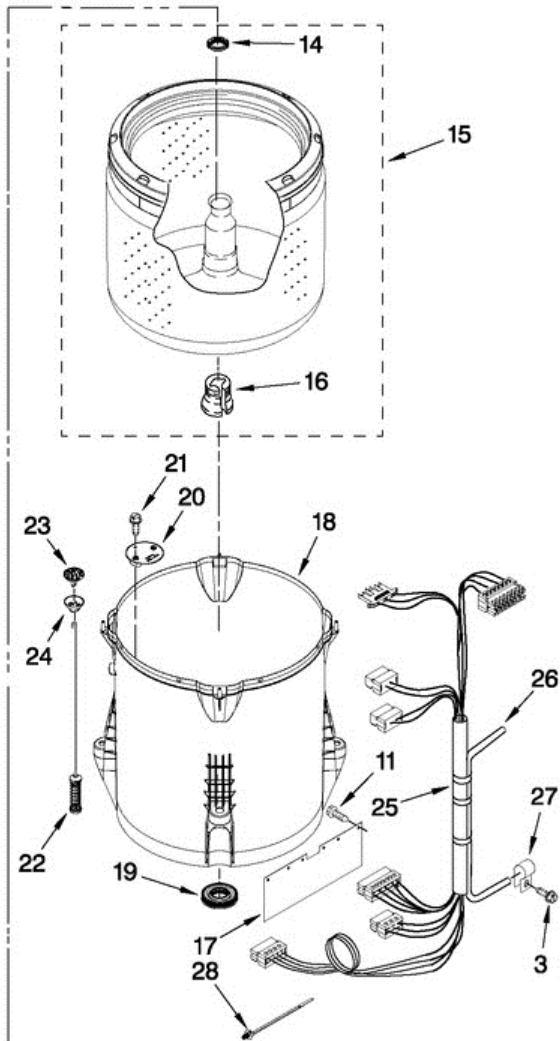
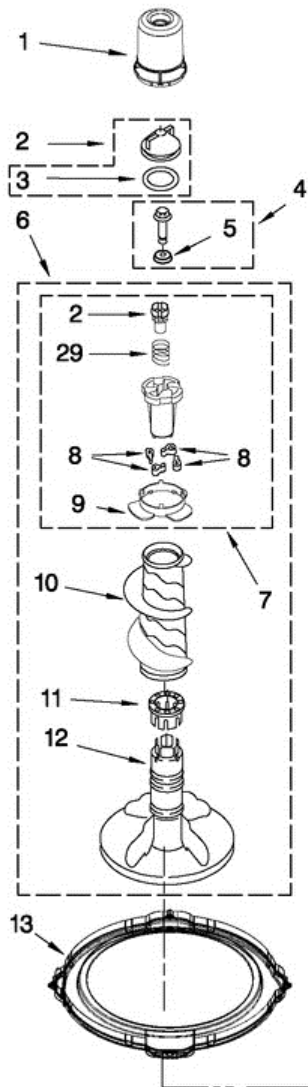




## 7MWTW1812AW0 TABLERO

|    |           |  |
|----|-----------|--|
| 1  | W10502616 | PANEL, CONSOLE                         |
| 2  | 8536939   | CLIP, KNOB                             |
| 3  | 8566035   | CAP, END (L.H.) (INCLUDES ITEM 5)      |
| 4  | 8566032   | CAP, END (R.H.) (INCLUDES ITEM 5)      |
| 5  | 8312709   | CLIP, CONSOLE                          |
| 6  | W10511905 | CONTROL UNIT ASSEMBLY, MACHINE & MOTOR |
| 7  | W10461159 | PANEL, CONSOLE REAR COVER              |
| 8  | 1157158   | SCREW                                  |
| 9  | W10285518 | SWITCH, ROTARY ENCODER (5 POSITION)    |
| 10 | 90767     | SCREW                                  |
| 11 | W10276649 | CORD, POWER                            |
| 12 | 3400076   | SCREW                                  |
| 13 | W10034750 | KNOB, TIMER                            |
| 14 | W10034380 | KNOB, CONTROL                          |
| 15 | W10285511 | SWITCH, ROTARY ENCODER (2 POSITION)    |
| 16 | W10291176 | HARNESS, UPPER                         |
| 17 | W10472844 | INLET ASSEMBLY, WATER                  |
| 18 | W10423127 | HARNESS, VALVE                         |
| 19 | 8281163   | SCREW                                  |
| 20 | 3400818   | SCREW                                  |
| 21 | W10339879 | CABLE TIE                              |
| 22 | W10251309 | PUSH BUTTON, START                     |

**7MWTW1812AW0 TINAS**

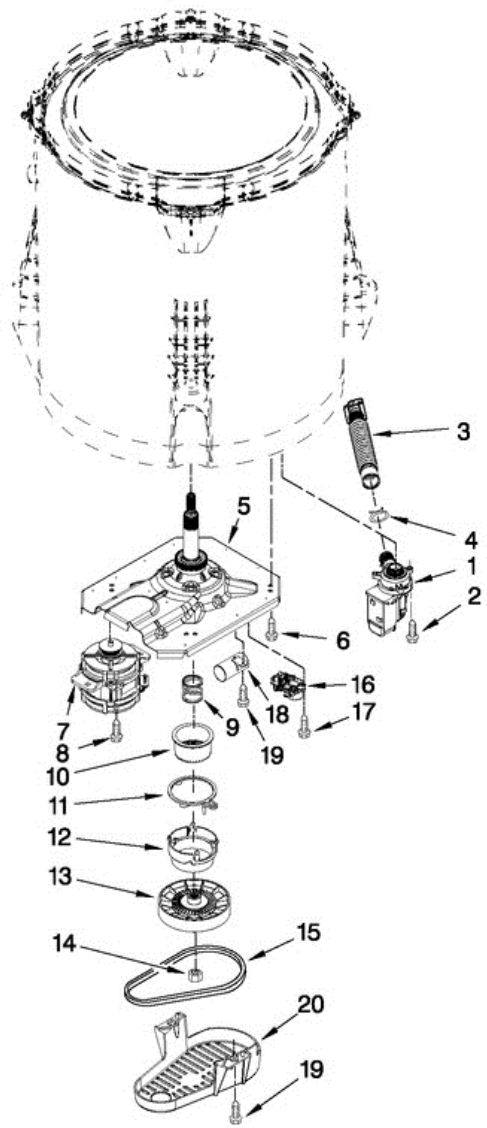




## 7MWTW1812AW0 TINAS

|    |           |  |
|----|-----------|--|
| 1  | 8528278   | DISPENSER, FABRIC SOFTENER                     |
| 2  | 8533540   | RETAINER, SPRING                               |
| 3  | 8533943   | SCREW  |
| 4  | W10003790 | SCREW & WASHER ASSEMBLY                        |
| 5  | 3949550   | WASHER   |
| 6  | 8538246   | AGITATOR, COMPLETE ASSEMBLY                    |
| 7  | 8537433   | CAM, DRIVEN                                    |
| 8  | 3366877   | DOG, AGITATOR CLUTCH                           |
| 9  | 8055141   | BEARING, CAM                                   |
| 10 | 3946996   | AUGER, AGITATOR                                |
| 11 | W10429200 | RETAINER, PUSH-IN                              |
| 12 | 3947517   | AGITATOR                                       |
| 13 | W10215108 | RING, TUB                                      |
| 14 | 21366     | NUT, SPANNER                                   |
| 15 | W10358261 | BASKET ASSEMBLY                                |
| 16 | 389140    | BLOCK, BASKET DRIVE                            |
| 17 | W10339098 | SHIELD, SPLASH                                 |
| 18 | W10238320 | TUB (INCLUDES ITEM 19)                         |
| 19 | W10006371 | SEAL, TUB                                      |
| 20 | W10215093 | FILTER, DRAIN PUMP                             |
| 21 | 8533928   | SCREW  |
| 22 | W10110314 | DAMPER ASSY, TUB SUSPENSION (INCL. 23 & 24)    |
| 23 | W10405423 | BALL, SUSPENSION (SET OF 4 - INCLUDES ITEM 24) |
| 24 | W10256551 | BUSHING, SUSPENSION (SET OF 4 - INCL. 23)      |
| 25 | W10454996 | HARNESS, LOWER (INCLUDES ITEMS 26 & 28)        |
| 26 | 353244    | HOSE, PRESSURE SWITCH                          |
| 27 | W10005430 | CLAMP, PRESSURE HOSE RETAINER                  |
| 28 | W10298887 | CABLE TIE                                      |
| 29 | 3946997   | SPRING, COMPRESSION                            |

**7MWTW1812AW0 TRANSMISION**





## 7MWTW1812AW0 TRANSMISION

|    |           |   |
|----|-----------|---|
| 1  | W10465543 | PUMP ASSEMBLY, DRAIN                            |
| 2  | W10004910 | SCREW   |
| 3  | W10215091 | HOSE, INNER DRAIN ASSEMBLY                      |
| 4  | 8317496   | CLAMP, HOSE                                     |
| 5  | W10473144 | GEARCASE ASSEMBLY                               |
| 6  | W10249633 | SCREW   |
| 7  | W10416652 | MOTOR, DRIVE                                    |
| 8  | W10094780 | SCREW   |
| 9  | W10006382 | SPRING, SPLUTCH (INCLUDES 10, 11, 12 & 13)      |
| 10 | W10006352 | SLIDER, SPLUTCH (INCLUDES ITEMS 9, 11, 12 & 13) |
| 11 | W10006353 | CAM RING, SPLUTCH (INCLUDES 9, 10, 12 & 13)     |
| 12 | W10006354 | CAM, SPLUTCH (INCLUDES ITEMS 9, 10, 11 & 13)    |
| 13 | W10006356 | PULLEY  |
| 14 | W10163336 | NUT, PULLEY                                     |
| 15 | W10006384 | BELT, DRIVE                                     |
| 16 | W10006355 | ACTUATOR, SHIFT                                 |
| 17 | 9741052   | SCREW   |
| 18 | W10390451 | CAPACITOR, MOTOR RUN                            |
| 19 | 357640    | SCREW   |
| 20 | W10427633 | SHIELD, PULLEY COVER                            |