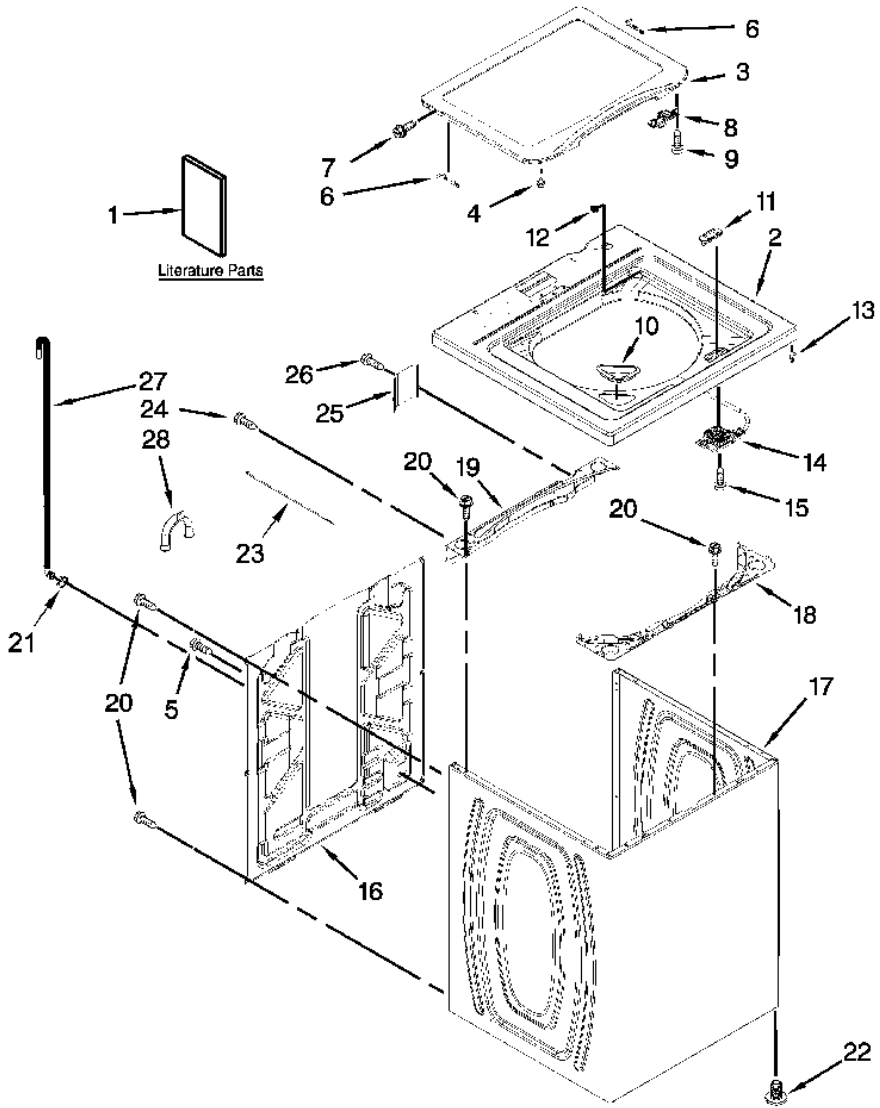


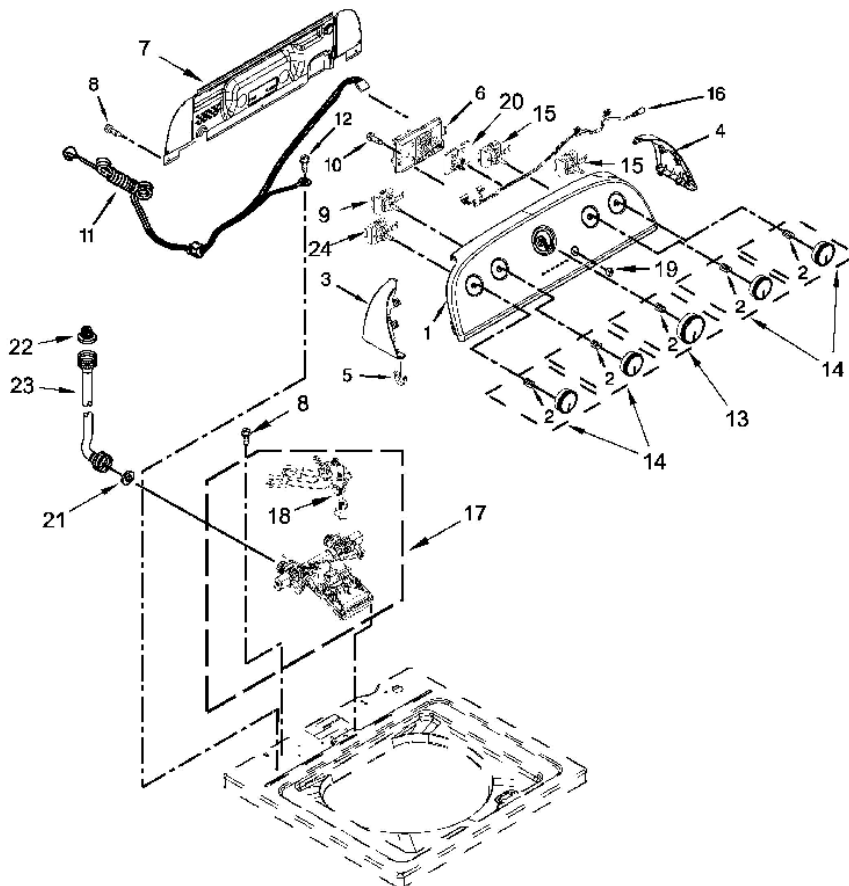
7MWTW1935DW0



7MWTW1935DW0

1	W10468340	TECH SHEET
1	W10655226	OWNERS MANUAL
1	W10658019	ENERGY GUIDE - NLA
1	W10658634	INSTALLATION INSTRUCTIONS
2	W10251325	TOP (WHITE)
3	W10561684	ASSEMBLY,LID AND BUMPER (WHITE)
4	W10181289	BUMPER,LID
5	9740848	SCREW
6	91770	HINGE,LID (LEFT)
7	W10119828	SCREW
8	W10240513	STRIKE,LID LOCK (WHITE)
9	W10273971	SCREW
10	W10192089	DISPENSER,BLEACH
11	W10392041	BEZEL,LID LOCK (WHITE)
12	21258	BEARING,LID HINGE
13	90016	CLIP,HARNESS
14	W10404050	LATCH,LID LOCK ASSEMBLY
15	8281163	SCREW (STAINLESS)
16	W10250884	PANEL,REAR
17	W10596395	CABINET (WHITE)
18	W10215098	BRACE,CABINET TOP - FRONT
19	W10512626	BRACE,CABINET TOP - REAR
20	489069	SCREW
21	356138	CLAMP,HOSE
22	W10397994	FOOT,LEVELING
23	W10339879	TIE,CABLE
24	489128	SCREW
25	W10676061	COVER,HARNESS
26	W10846509	SCREW
27	W10826733	HOSE,OUTER DRAIN ASSEMBLY
28	W10280024	U-BEND,DRAIN HOSE

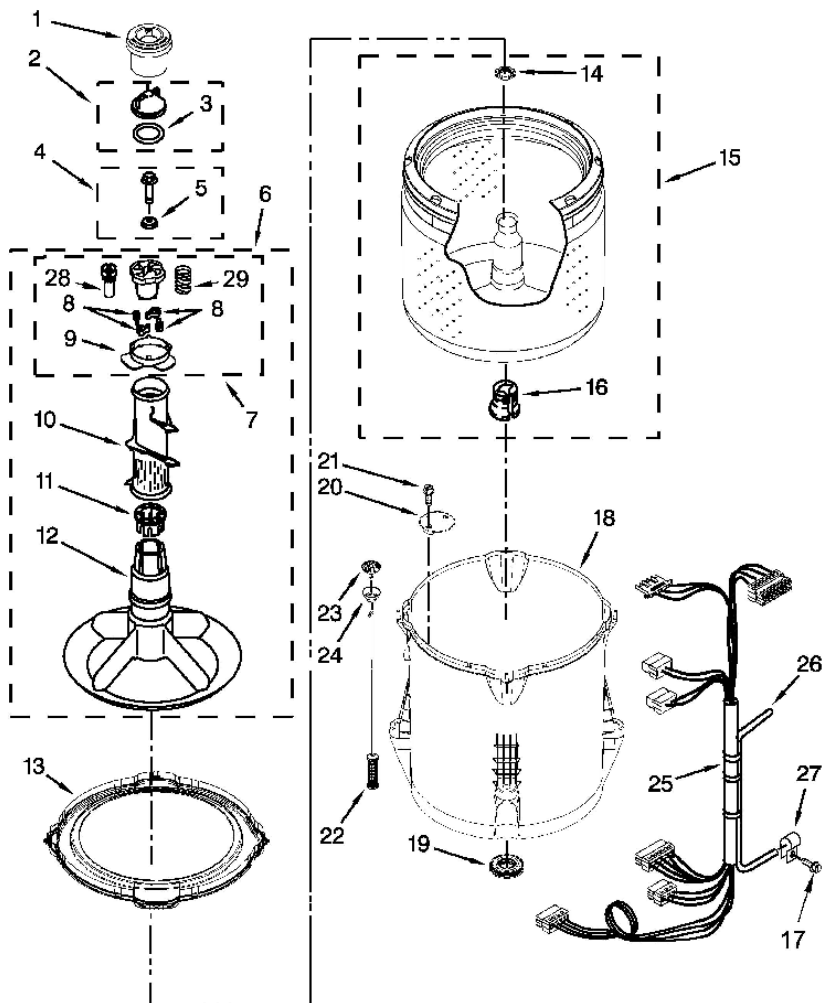
7MWTW1935DW0



7MWTW1935DW0

1	W10643283	PANEL, CONSOLE
2	8536939	CLIP, SPRING
3	W10520782	END CAP (LEFT) (WHITE)
4	W10520780	END CAP (RIGHT) (WHITE)
5	8312709	CLIP, CONSOLE
6	W10658741	CONTROL UNIT ASSEMBLY, MACHINE AND MOTOR
7	W10552335	PANEL, CONSOLE REAR COVER
8	1157158	SCREW
9	W10285512	TEMPERATURE CONTROL
10	90767	SCREW
11	W10525194	CORD, POWER
12	3400076	SCREW
13	W10576635	KNOB, TIMER (WHITE/METALLIC)
14	W10576637	ASSEMBLY, CONTROL KNOB (WHITE/METALLIC)
15	W10285511	SWITCH, ROTARY ENCODER (2 POSITION)
16	W10579238	HARNESS, UPPER
17	W10472844	INLET ASSEMBLY, WATER
18	W10423127	HARNESS, VALVE
19	W10598040	GROMMET, PUSH TO START
20	W10596298	BUTTON, PUSH TO START
21	W10242307	WASHER, INLET HOSE
22	3976300	WASHER, INLET HOSE
23	W10194210	HOSE, WATER INLET (COLD WATER)
23	W10194211	HOSE, WATER INLET (HOT WATER)
24	W10285518	SWITCH, ROTARY ENCODER (5 POSITION)

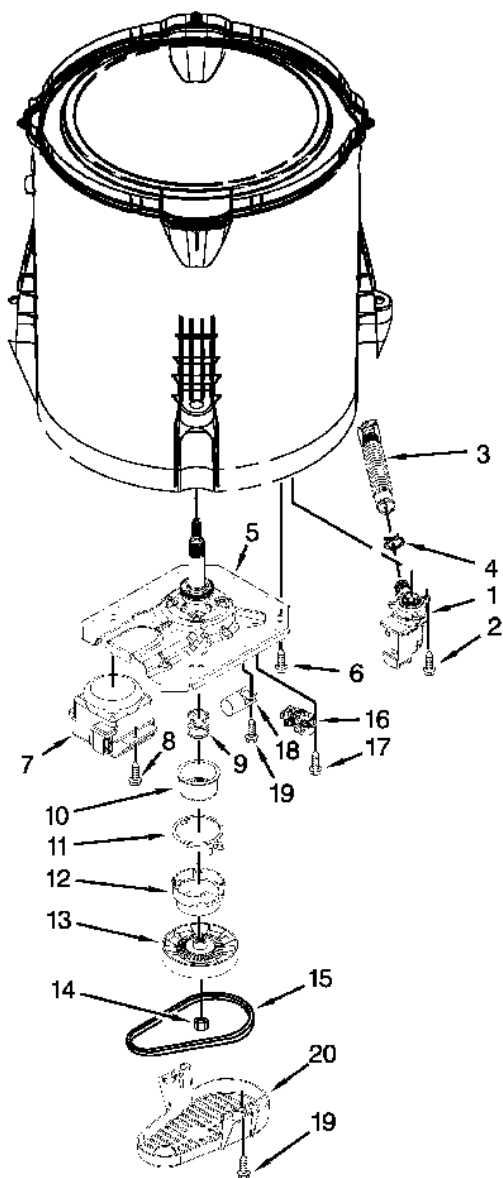
7MWTW1935DW0



7MWTW1935DW0

1	8580006	DISPENSER, FABRIC SOFTENER
2	3354733	CAP, BARRIER
3	W10072840	SEAL, INNER CAP
4	W10003790	SCREW AND WASHER
5	3949550	WASHER
6	8578210	AGITATOR (COMPLETE)
7	8537434	CAM, DRIVEN
8	3366877	DOG, AGITATOR CLUTCH
9	8055141	BEARING, CAM
10	8054468	MOVER, CLOTHES
11	8055228	SPACER, THRUST
12	8578209	AGITATOR, COMPLETE ASSEMBLY
13	W10531289	RING, TUB
14	21366	NUT, SPANNER
15	W10554251	BASKET ASSEMBLY
16	389140	BLOCK, BASKET DRIVE
17	8533943	SCREW
18	W10238320	TUB (INCLUDES TUB SEAL)
19	W10006371	SEAL, TUB
20	W10215093	FILTER, DRAIN PUMP
21	8533928	SCREW (STAINLESS)
22	W10622030	DAMPER ASSEMBLY, TUB SUSPENSION
23	W10560146	BALL, SUSPENSION (SET OF 4 - INCLUDES SUSPENSION BUSHINGS)
24	W10256551	BUSHING SUSPENSION (SET OF 4 - INCLUDES SUSPENSION BALLS)
25	W10619535	HARNESS, LOWER
26	8572540	HOSE PRESSURE SWITCH
27	W10005430	CLAMP, CABLE
28	8533540	RETAINER, SPRING
29	8055140	SPRING, COMPRESSION

7MWTW1935DW0



7MWTW1935DW0

1	W10465543	PUMP ASSEMBLY,DRAIN
2	W10004910	SCREW
3	W10899966	HOSE,INNER DRAIN ASSEMBLY
4	285655	CLAMP,HOSE
5	W10771759	GEARCASE ASSEMBLY
6	W10249633	SCREW
7	W10416667	MOTOR,DRIVE
8	W10182109	SCREW
9	W10006382	SPRING,SPLUTCH
10	W10006352	SLIDER,SPLUTCH (INCLUDES ITEMS 9,11,12 AND 13)
11	W10721967	CAM RING,SPLUTCH
12	W10006354	CAM,SPLUTCH
13	W10721967	PULLEY
14	W10759923	NUT
15	W10006384	BELT,DRIVE
16	W10006355	ACTUATOR,SHIFT
17	9741052	SCREW
18	W10625045	CAPACITOR,MOTOR RUN
19	22001995	SCREW
20	W10427633	SHIELD,PULLEY COVER

***NOTA: SI EL CODIGO DEL ARTICULO QUE NECESITA NO APARECE EN NUESTRA PAGINA WEB, ES PROBABLE QUE SEA SOBRE PEDIDO O ESTE OBSOLETO.**

FAVOR DE COMUNICARSE A NUESTRAS OFICINAS PARA MAYOR INFORMACION

TELEFONOS: 83377949, 83377999 Y 83373889.