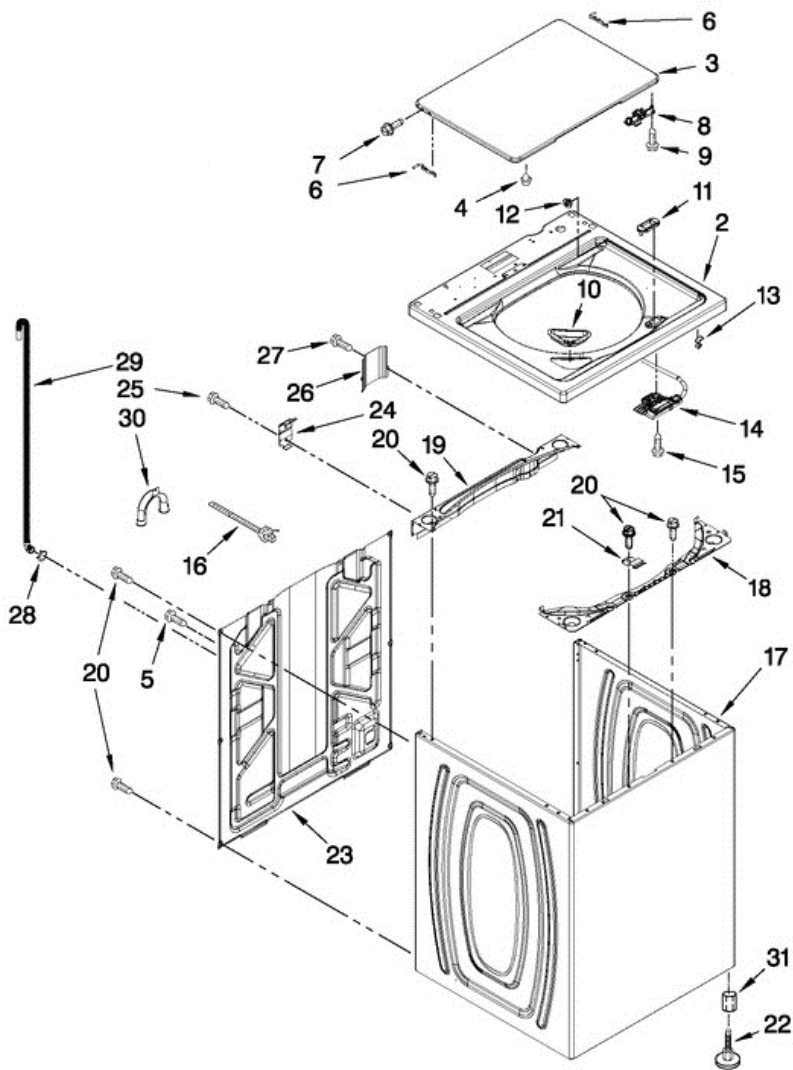


7MWTW1950YW1 GABINETE





7MWTW1950YW1 GABINETE

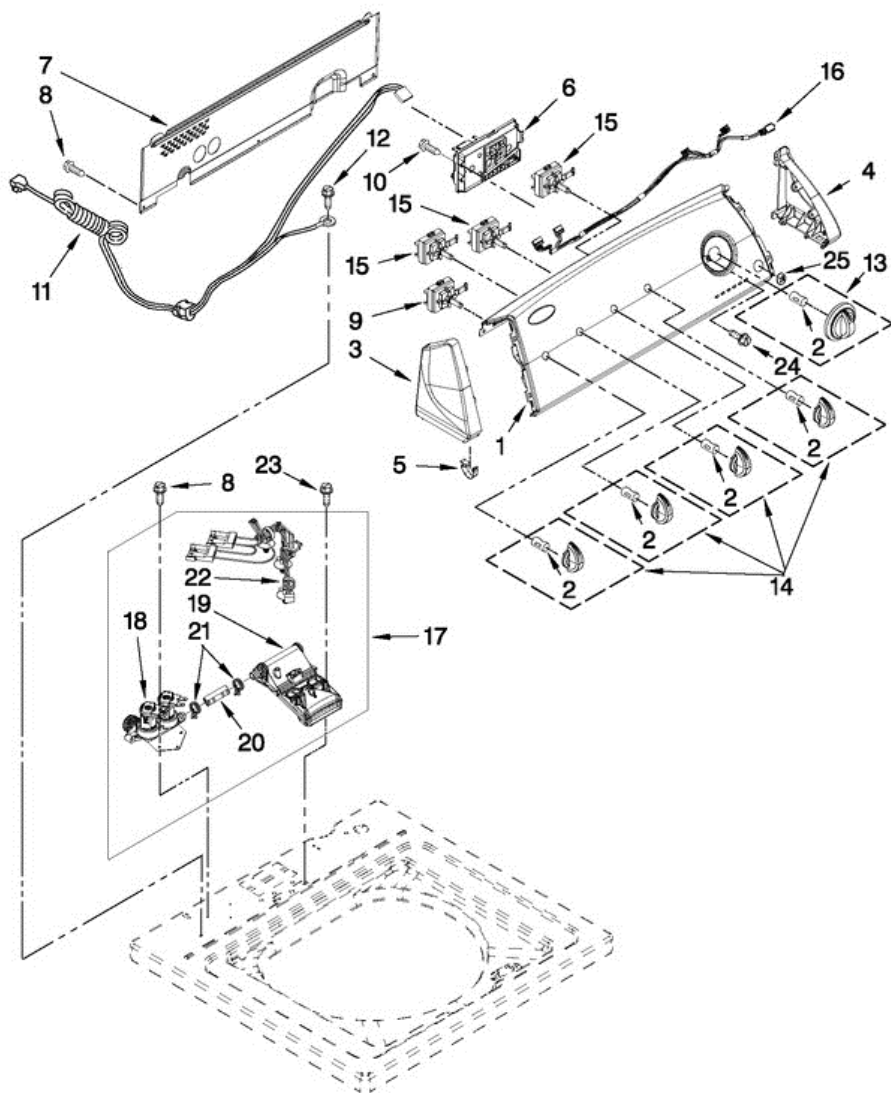
2	W10251319	TOP
3	W10027624	LID (INCLUDES ITEM 4)
4	9724509	BUMPER, LID
5	9740848	SCREW, 8-18 X 1/2
6	91770	HINGE, LID
7	W10119872	SCREW, LID HINGE
8	W10240513	STRIKE, LID LOCK
9	W10273971	SCREW, 6-19 X 1/2
10	W10192089	DISPENSER, BLEACH
11	W10392041	BEZEL, LID LOCK
12	21258	BEARING, LID HINGE
13	90016	CLIP, LID LOCK HARNESS
14	W10238287	LATCH, LID LOCK ASSEMBLY
15	8281163	SCREW 8-16 X 1/2
16	W10339879	CABLE TIE
17	W10251994	CABINET (INCLUDES ITEMS 18, 19, 20 & 22)
18	W10215098	BRACE, CABINET TOP FRONT
19	W10215099	BRACE, CABINET TOP REAR
20	1157158	SCREW, 8-18 X 3/8
21	W10248088	LOCK, TOP
22	W10335586	FOOT ASSEMBLY, LEVELING
23	W10250884	PANEL REAR
24	W10215102	HINGE, TOP
25	W10142728	SCREW, 8-32 X 3/8
26	W10215139	COVER, HARNESS
27	3400076	SCREW, 10-23 X 5/8
28	356138	CLAMP, HOSE
29	W10221546	HOSE, OUTER DRAIN ASSEMBLY
30	W10280024	U-BEND, DRAIN HOSE
31	3359452	NUT, LOCKING

Distribuidor Autorizado

SurteRápido.com

Venta de Refacciones
Electrodomesticas

7MWTW1950YW1 TABLERO

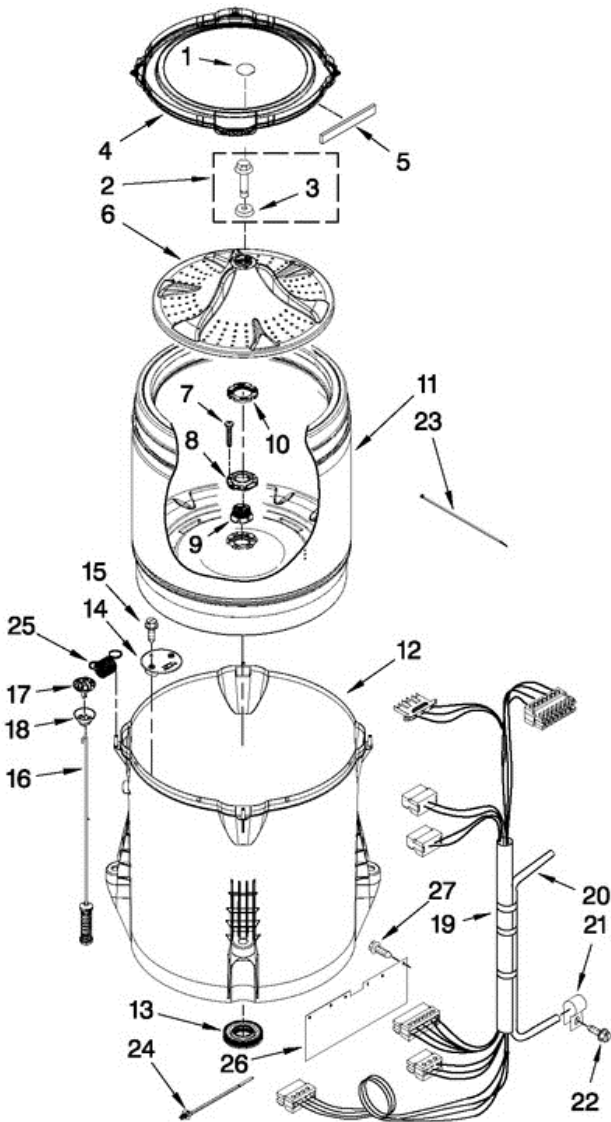




7MWTW1950YW1 TABLERO

1	W10363998	PANEL, CONSOLE
2	8536939	CLIP, KNOB
3	8566035	CAP, END (L.H.) (INCLUDES ITEM 5)
4	8566032	CAP, END (R.H.) (INCLUDES ITEM 5)
5	8312709	CLIP, CONSOLE
6	W10445855	CONTROL UNIT ASSEMBLY, MACHINE & MOTOR
7	W10420985	PANEL, CONSOLE REAR COVER
8	1157158	SCREW, 8-18 X 3/8
9	W10285512	SWITCH, ROTARY ENCODER
10	90767	SCREW, 8-18 X 3/8
11	W10276649	CORD, POWER
12	3400076	SCREW, POWER CORD GROUND
13	W10034750	KNOB, TIMER
14	W10034380	KNOB, CONTROL
15	W10285511	SWITCH, ROTARY ENCODER
16	W10291176	HARNESS, UPPER
17	W10432360	INLET ASSEMBLY, WATER
18	W10352256	VALVE, WATER MIXING
19	W10334611	VACUUM BREAK
20	W10238347	HOSE, VACUUM BREAK
21	W10117298	CLAMP, HOSE
22	W10344775	HARNESS, VALVE
23	8281163	SCREW 8-16 X 1/2
24	3400818	SCREW, 8-18 X .20
25	W10251309	PUSHBUTTON, START

7MWTW1950YW1 TINAS

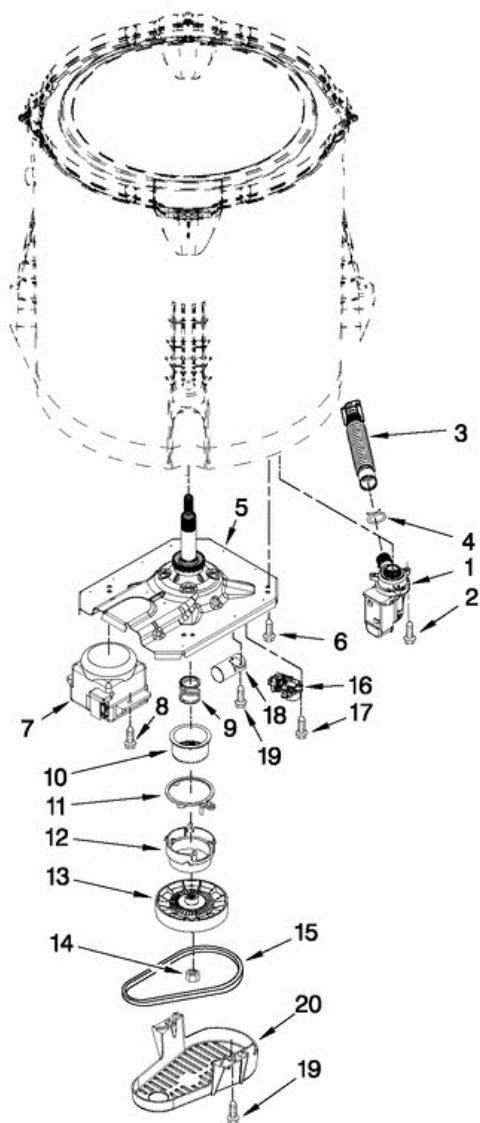




7MWTW1950YW1 TINAS

1	W10305259	CAP, IMPELLER
2	W10003790	SCREW & WASHER ASSEMBLY
3	3949550	WASHER
4	W10215146	TUB RING (INCLUDES ITEM 5)
5	W10205824	ABSORBER, IMPACT
6	W10215118	IMPELLER (WASHPLATE)
7	8533953	SCREW, 8-16 X 1.000
8	W10291415	HUB - DRIVEN, BASKET (INCLUDES ITEMS 7, 9 & 10)
9	W10291416	BLOCK, BASKET DRIVE (INCLUDES ITEMS 7, 8 & 10)
10	W10291417	NUT, SPANNER (INCLUDES ITEMS 7, 8 & 9)
11	W10238268	BASKET ASSEMBLY (INCLUDES ITEMS 7, 8, 9 & 10)
12	W10238301	TUB (INCLUDES ITEM 13)
13	W10006371	SEAL, TUB
14	W10215093	FILTER, DRAIN PUMP
15	8533928	SCREW, 8-18 X 3/4
16	W10257086	DAMPER ASSEMBLY, TUB SUSPENSION
17	W10215136	BALL, SUSPENSION (SET OF 4 - INCLUDES ITEM 18)
18	W10256551	BUSHING, SUSPENSION
19	W10297443	HARNESS, LOWER (INCLUDES ITEM 20)
20	8572540	HOSE, PRESSURE SWITCH
21	W10005430	CLAMP, PRESSURE HOSE RETAINER
22	8533943	SCREW, 10-16 X 3/4
23	W10339879	CABLE TIE
24	W10298887	CABLE TIE
25	W10348658	SPRING, TUB CENTERING
26	W10392691	SHIELD, SPLASH
27	W10429200	RETAINER, PUSH IN

7MWTW1950YW1 TRANSMISION





7MWTW1950YW1 TRANSMISION

1	W10276397	PUMP ASSEMBLY, DRAIN
2	W10004910	SCREW, 12-16 X 1.25
3	W10215091	HOSE, INNER DRAIN ASSEMBLY
4	8317496	CLAMP, HOSE
5	W10006379	GEARCASE ASSEMBLY (INCLUDES ITEMS 7, 8, 9,10,13)
6	W10249633	SCREW, 7.2-1.6 X 30
7	W10249628	MOTOR, DRIVE
8	W10094780	SCREW, M8-1.25 X 20
9	W10006382	SPRING, SPLUTCH (INCLUDES ITEMS 10, 11, 12 & 13)
10	W10006352	SLIDER, SPLUTCH (INCLUDES ITEMS 9, 11, 12 & 13)
11	W10006353	CAM RING, SPLUTCH (INCLUDES ITEMS 9, 10,12,13)
12	W10006354	CAM, SPLUTCH (INCLUDES ITEMS 9, 10, 11 & 13)
13	W10006356	PULLEY
14	W10163336	NUT, PULLEY
15	W10006384	BELT, DRIVE
16	W10006355	ACTUATOR, SHIFT
17	9741052	SCREW, 6-32 X 1.00
18	W10278117	CAPACITOR, MOTOR RUN
19	357640	SCREW, 10-16 X 5/8
20	W10006383	SHIELD, PULLEY COVER