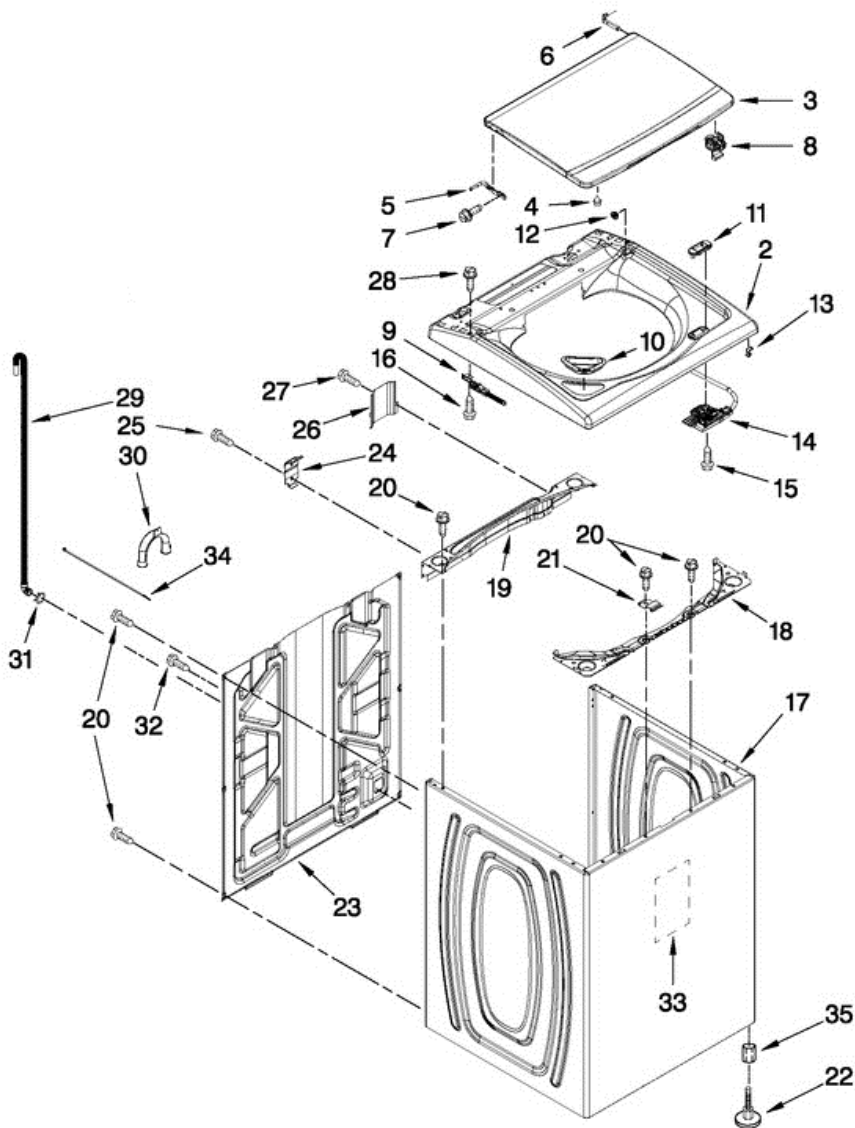


**7MWTW5550YW1 GABINETE**



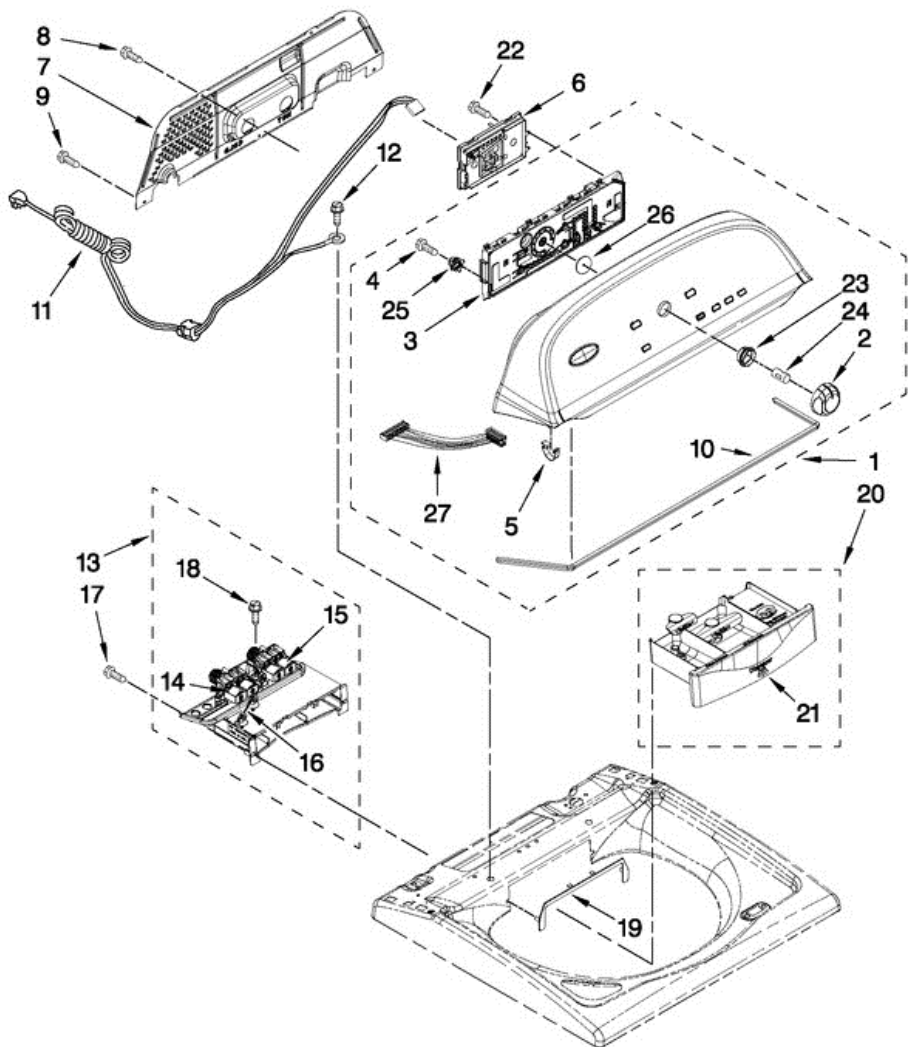


## 7MWTW5550YW1 GABINETE

2	W10246376	TOP
3	W10427116	LID (INCLUDES ITEM 4)
4	9724509	BUMPER, LID
5	8563965	HINGE, WIRE (L.H.)
6	8572974	HINGE WIRE (R.H.)
7	W10339706	SCREW, 6-32 X 3/4
8	W10239968	STRIKE, LID LOCK
9	W10270398	HINGE, LID (LEFT HAND)
9	W10270399	HINGE, LID (RIGHT HAND)
10	W10240977	DISPENSER, BLEACH
11	W10392041	BEZEL, LID LOCK
12	W10293293	BEARING, LID HINGE (RIGHT)
12	W10293653	BEARING, LID HINGE (LEFT)
13	90016	CLIP, LID LOCK HARNESS
14	W10238287	LATCH, LID LOCK ASSEMBLY
15	3400061	SCREW, 10-16 X 9/16
16	693995	SCREW, 8-18 X 3/8
17	W10251994	CABINET (INCLUDES ITEMS 18, 19, 20, 22 & 33)
18	W10215098	BRACE, CABINET TOP - FRONT
19	W10215099	BRACE, CABINET TOP - REAR
20	1157158	SCREW, 8-18 X 3/8
21	W10248088	LOCK, TOP
22	W10335586	FOOT ASSEMBLY, LEVELING
23	W10250884	PANEL, REAR
24	W10215102	HINGE, TOP
25	W10142728	SCREW, 8-32 X 3/8
26	W10215139	COVER, HARNESS
27	3400076	SCREW, 10-32 X 5/8
28	311932	SCREW, 6-32 X.25
29	W10221546	HOSE, OUTER DRAIN ASSEMBLY
30	W10280024	U-BEND, DRAIN HOSE
31	356138	CLAMP, HOSE
32	9740848	SCREW, 8-18 X 7/16

33	W10414221	DAMPER, SOUND
34	W10339879	CABLE TIE
35	3359452	NUT, LOCKING

7MWTW5550YW1 TABLERO

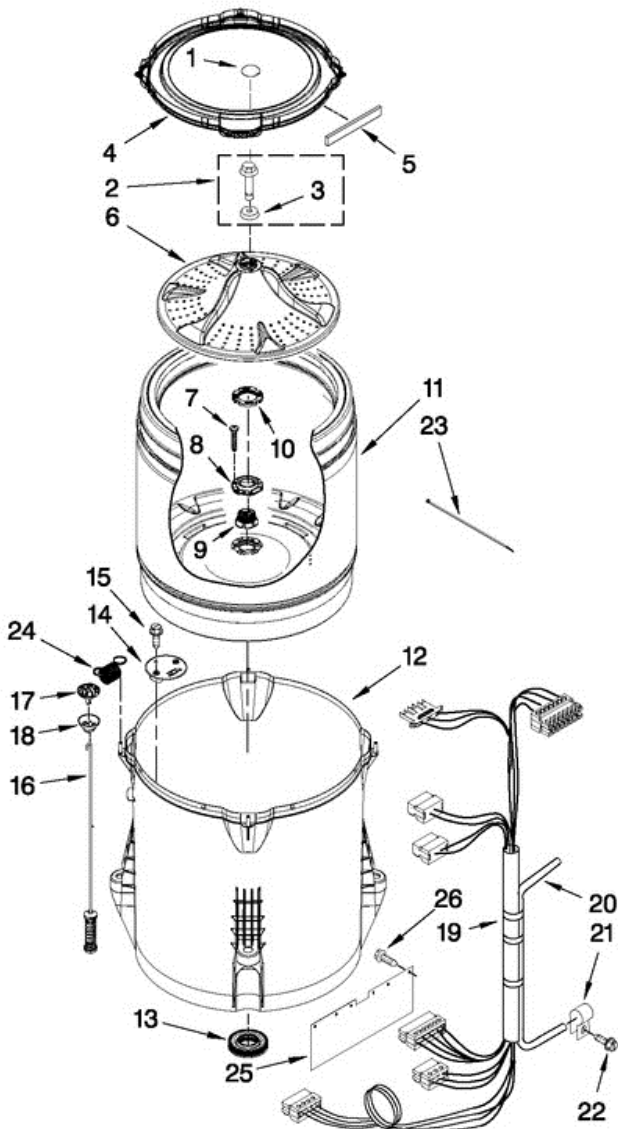




## 7MWTW5550YW1 TABLERO

1	W10329778	CONSOLE
2	W10251392	KNOB, CONTROL (INCLUDES ITEM 24)
3	W10269602	USER INTERFACE
4	W10219342	SCREW, 8-16 X 3/4
5	8312709	CLIP, CONSOLE
6	W10442488	CONTROL UNIT ASSEMBLY, MACHINE & MOTOR
7	W10420984	PANEL, CONSOLE REAR COVER
8	3390647	SCREW, 8-18 X 1/2
9	1157158	SCREW, 8-18 X 3/8
10	W10280079	SEAL, CONSOLE
11	W10266797	CORD, POWER
12	3400076	SCREW, POWER CORD GROUND
13	W10240963	HOUSING ASSEMBLY - DISPENSER
14	W10240949	VALVE, COLD WATER INLET
15	W10240948	VALVE, HOT WATER INLET
16	W10240967	HARNESS, VALVE
17	8281163	SCREW, 8-16 X 1/2
18	97787	SCREW, 11-16 X 3/4
19	W10240946	BEZEL, DISPENSER
20	W10240958	DRAWER, DISPENSER ASSEMBLY
21	W10287476	HANDLE, DISPENSER DRAWER FACIA
22	9740848	SCREW, 8-18 X 7/16
23	W10325119	SPACER, KNOB
24	8536939	CLIP, KNOB
25	W10274524	TENSIONER, FACIA
26	W10323092	SEAL, UI
27	W10285493	CABLE, UI

**7MWTW5550YW1 TINAS**





## 7MWTW5550YW1 TINAS

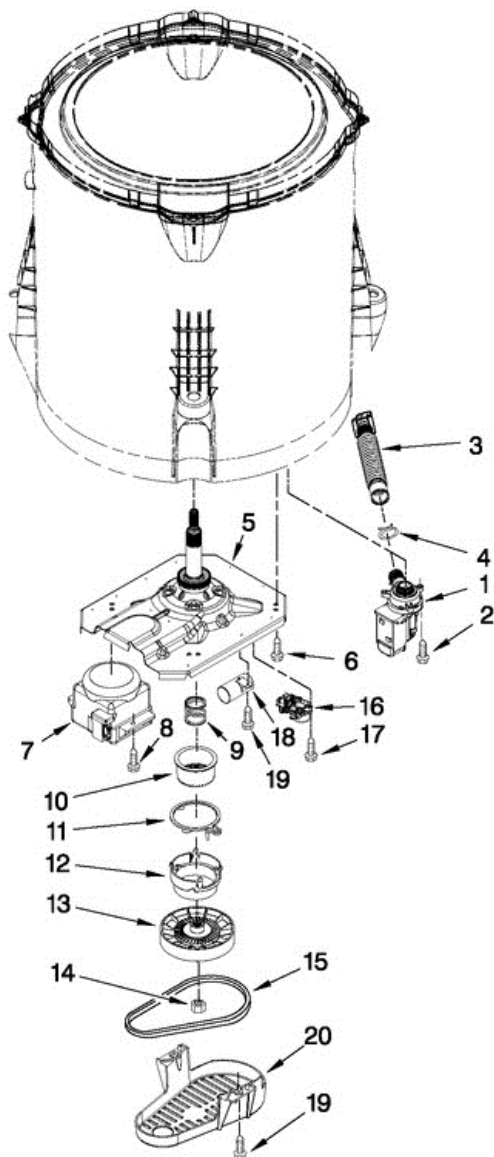
1	W10305259	CAP, IMPELLER
2	W10003790	SCREW & WASHER ASSEMBLY
3	3949550	WASHER
4	W10215146	TUB RING (INCLUDES ITEM 5)
5	W10205824	ABSORBER, IMPACT
6	W10215118	IMPELLER (WASHPLATE)
7	8533953	SCREW, 8-16 X 1.000
8	W10291415	HUB - DRIVEN, BASKET (INCLUDES ITEMS 7, 9 & 10)
9	W10291416	BLOCK, BASKET DRIVE (INCLUDES ITEMS 7, 8 & 10)
10	W10291417	NUT, SPANNER (INCLUDES ITEMS 7, 8 & 9)
11	W10238268	BASKET ASSEMBLY (INCLUDES ITEMS 7, 8, 9 & 10)
12	W10238301	TUB (INCLUDES ITEM 13)
13	W10006371	SEAL, TUB
14	W10215093	FILTER, DRAIN PUMP
15	8533928	SCREW, 8-18 X 3/4
16	W10257086	DAMPER ASSEMBLY, TUB SUSPENSION
17	W10215136	BALL, SUSPENSION (SET OF 4 - INCLUDES ITEM 18)
18	W10256551	BUSHING, SUSPENSION
19	W10328392	HARNESS, LOWER (INCLUDES ITEM 20)
20	353244	HOSE, PRESSURE SWITCH
21	W10005430	CLAMP, PRESSURE HOSE RETAINER
22	8533943	SCREW, 10-16 X 3/4
23	W10339879	CABLE TIE
24	W10348658	SPRING, TUB CENTERING
25	W10392691	SHIELD, SPLASH
26	W10429200	RETAINER, PUSH IN

Distribuidor Autorizado

SurteRápido.com

Venta de Refacciones  
Electrodomesticas

## 7MWTW5550YW1 TRANSMISION







## 7MWTW5550YW1 TRANSMISION

1	W10276397	PUMP ASSEMBLY, DRAIN
2	W10004910	SCREW, 12-16 X 1.1
3	W10215091	HOSE, INNER DRAIN ASSEMBLY
4	8317496	CLAMP, HOSE
5	W10006379	GEARCASE ASSEMBLY
6	W10249633	SCREW, 7.2-1.6 X 30
7	W10249628	MOTOR, DRIVE
8	W10094780	SCREW, M8-1.25 X 20
9	W10006382	SPRING, SPLUTCH (INCLUDES ITEMS 10, 11, 12 & 13)
10	W10006352	SLIDER, SPLUTCH (INCLUDES ITEMS 9, 11, 12 & 13)
11	W10006353	CAM RING, SPLUTCH (INCLUDES ITEMS 9, 10, 12 & 13)
12	W10006354	CAM, SPLUTCH (INCLUDES ITEMS 9, 10, 11 & 13)
13	W10006356	PULLEY
14	W10163336	NUT, PULLEY
15	W10006384	BELT, DRIVE
16	W10006355	ACTUATOR, SHIFT
17	9741052	SCREW, 6-32 X 1.00
18	W10278117	CAPACITOR, MOTOR RUN
19	357640	SCREW, 10-16 X 5/8
20	W10006383	SHIELD, PULLEY COVER