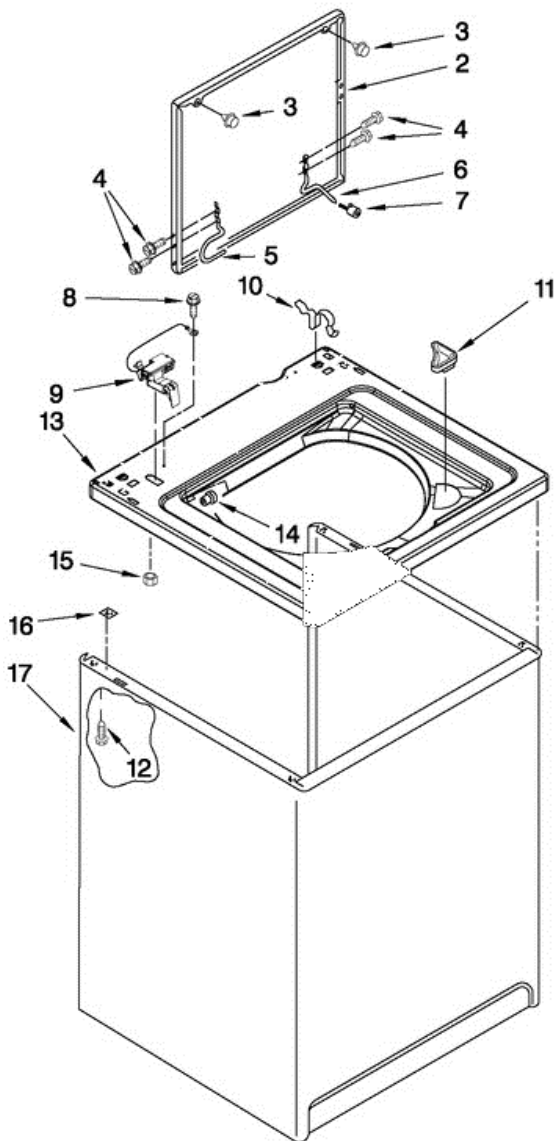


7MWTW9013YQ0 GABINETE





7MWTW9013YQ0 GABINETE

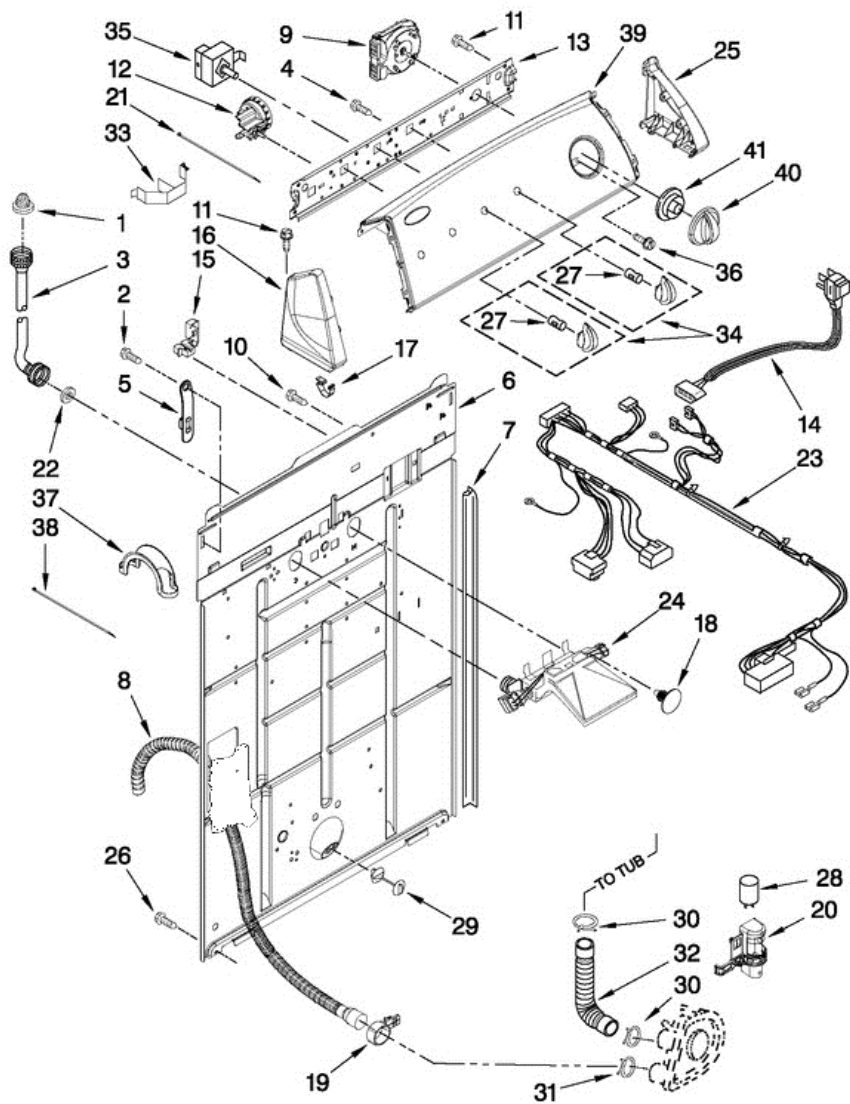
2	8541774	LID
3	9724509	BUMPER, LID
4	W10119828	SCREW, LID HINGE MOUNTING
5	8318088	HINGE, LID (L.H.)
6	54583	HINGE, LID (R.H.)
7	19119	BUMPER, LID HINGE
8	3351614	SCREW, GROUND
9	8318084	SWITCH, LID
10	62780	CLIP, TOP & CABINET & REAR PANEL
11	3362952	DISPENSER, BLEACH
12	3390631	SCREW, 10-16 X 3/8
13	8559483	TOP
14	21258	BEARING, LID HINGE
15	8533959	NUT, HEX
16	62750	SPACER, CABINET TO TOP
17	63424	CABINET

Distribuidor Autorizado

SurteRápido.com

Venta de Refacciones
Electrodomesticas

7MWTW9013YQ0 TABLERO



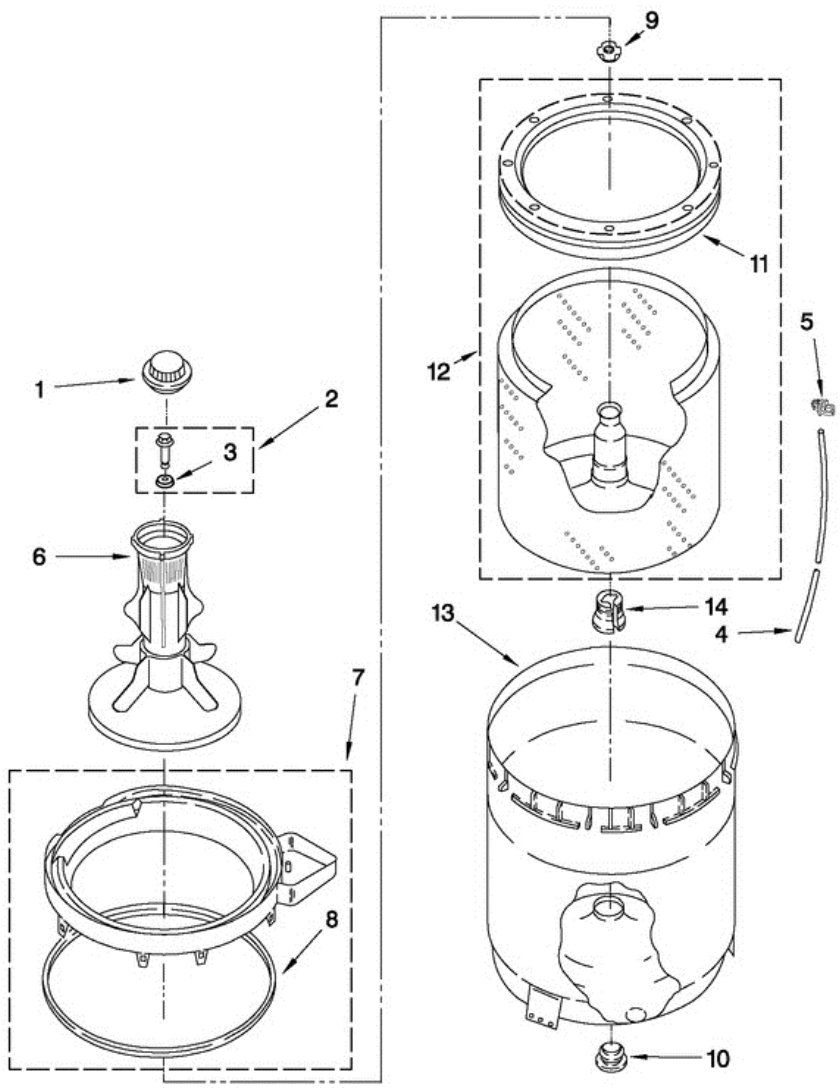


7MWTW9013YQ0 TABLERO

1	353362	WASHER, WATER INLET HOSE (1-1/16 X 5/8)
2	9740848	SCREW, 8-18 X 1/2
3	W10194210	HOSE, WATER INLET (BLUE COUPLER)
3	W10196191	HOSE, WATER INLET (RED COUPLER)
4	3400073	SCREW, GROUND
5	8568314	STRAP, CONSOLE
6	W10194450	PANEL, REAR
7	62747	PAD, REAR PANEL
8	W10189267	DRAIN HOSE ASSEMBLY (INCLUDES ITEM 19)
9	W10199989	TIMER, CONTROL (60 HZ.)
10	3351614	SCREW, GROUND
11	90767	SCREW, 8-18 X 3/8
12	W10231403	SWITCH, WATER LEVEL
13	8566003	BRACKET, CONTROL
14	W10115689	CORD, POWER (INCLUDES ITEM 15)
15	3952821	STRAIN RELIEF, POWER CORD
16	8566035	CAP, END (L.H.) (INCLUDES ITEM 17)
17	8312709	CLIP, CONSOLE
18	W10000080	CLIP, PUSH-IN RETAINER
19	8541668	CLAMP, HOSE
20	8318046	CLIP, CAPACITOR
21	W10231379	CABLE TIE
22	W10242307	WASHER, WATER INLET HOSE
23	W10235788	HARNESS, WIRING
24	W10278652	BREAK, VACUUM
25	8566032	CAP, END (R.H.) (INCLUDES ITEM 17)
26	62863	SCREW, 10-16 X 3/8
27	8536939	CLIP, KNOB (RIGHT HALF)
28	8572717	CAPACITOR, MOTOR START
29	8519200	SUPPORT, REAR PANEL
30	3363366	CLAMP, HOSE
31	8317496	CLAMP, HOSE
32	3951449	HOSE, PUMP TO TUB (INCLUDES ITEM 30)

33	8055003	CLIP, HARNESS & PRESSURE HOSE
34	8565944	KNOB, CONTROL
35	661612	SWITCH, WATER TEMPERATURE
36	3400818	SCREW, TIMER MOUNTING
37	8577378	U-BEND, DRAIN HOSE
38	W10339879	CABLE TIE
39	W10370405	PANEL, CONSOLE
40	8566022	KNOB, TIMER
41	8566018	DIAL, TIMER

7MWTW9013YQ0 TINAS

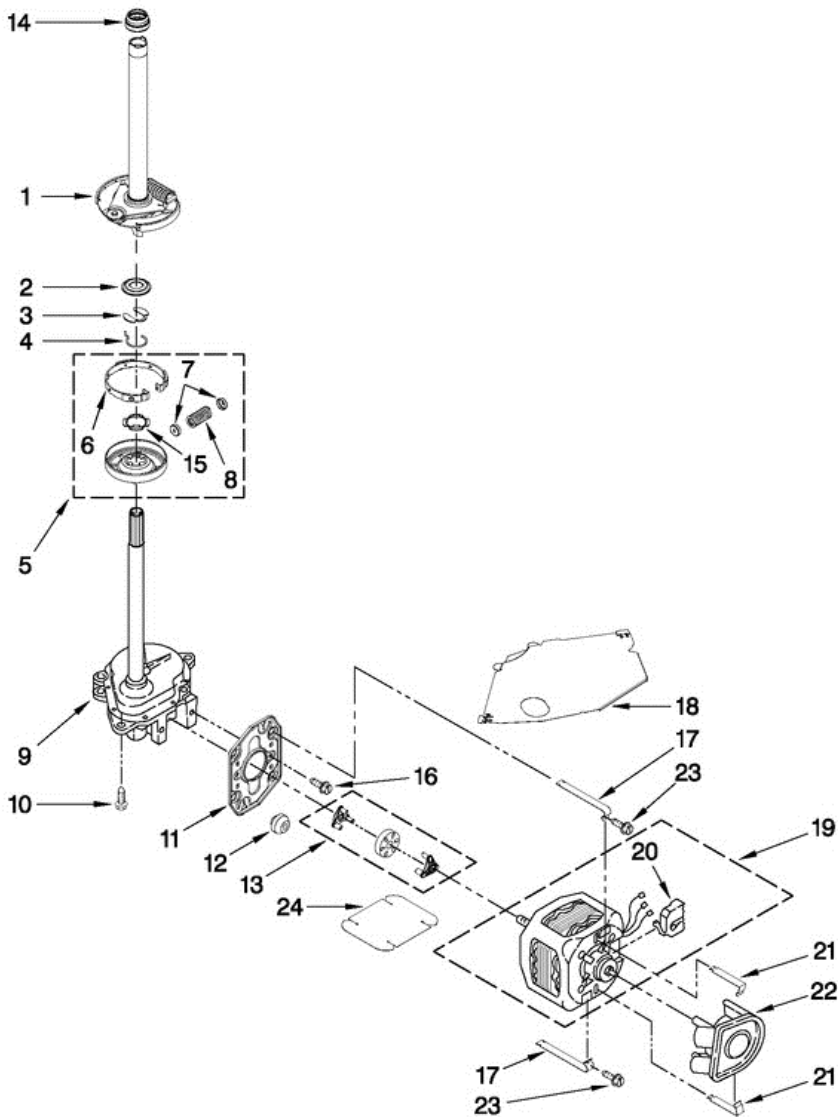




7MWTW9013YQ0 TINAS

1	3355758	CAP, AGITATOR
2	358237	SCREW & WASHER (5-16-24 X 1)
3	3949550	WASHER
4	3347780	HOSE, PRESSURE SWITCH
5	2219077	CLIP, PRESSURE SWITCH HOSE
6	63235	AGITATOR
7	8528150	TUB RING & GASKET
8	3976308	GASKET, TUB RING
9	21366	NUT, SPANNER
10	383727	GASKET, CENTERPOST
11	387240	BALANCE RING
12	W10389329	BASKET & BALANCE RING
13	63849	TUB
14	389140	BLOCK, BASKET DRIVE

7MWTW9013YQ0 MOTOR





7MWTW9013YQ0 MOTOR

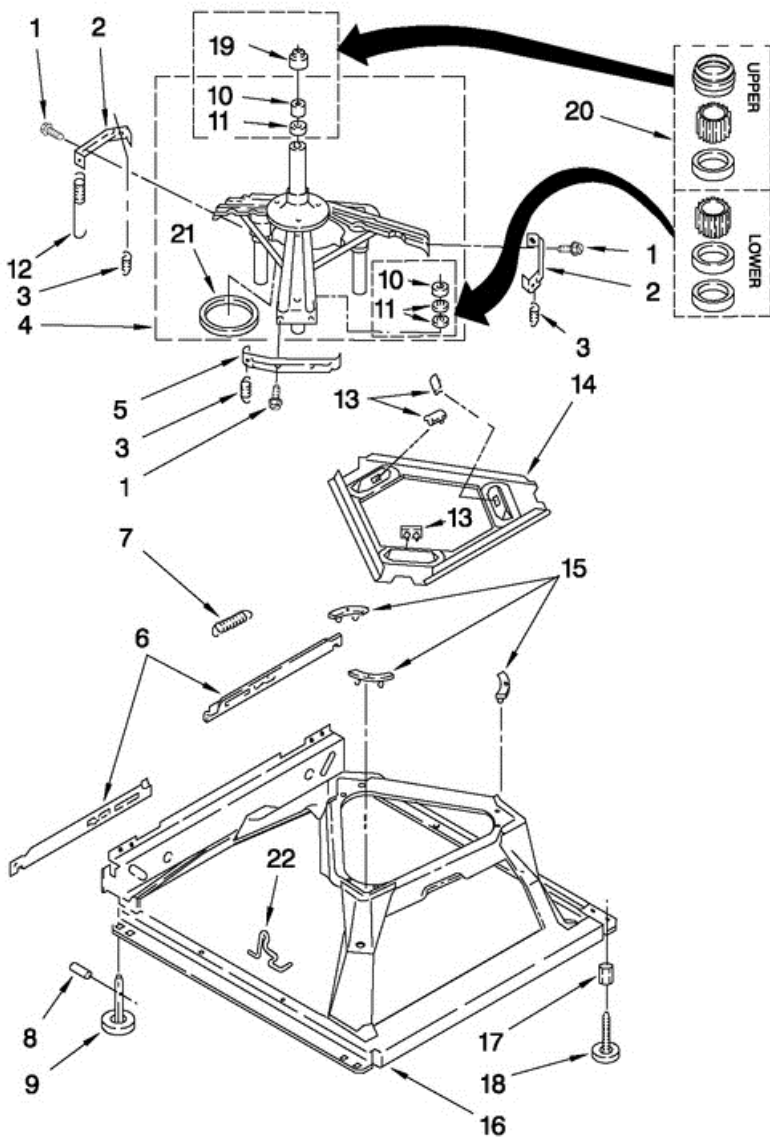
1	388952	BRAKE & DRIVE TUBE (COMPLETE)
2	63292	WASHER, SPIN TUBE THRUST
3	62697	RING, SPIN TUBE SUPPORT
4	63283	RING, RETAINER
5	3951311	CLUTCH (COMPLETE)
6	3951308	BAND & LINING, CLUTCH (INCLUDES ILLUS. 7 & 8)
7	62646	CAP, CLUTCH SPRING
8	3946792	SPRING, CLUTCH
9	8532118	GEARCASE (COMPLETE)
10	3357334	SCREW, GEARCASE TO BASE
11	62611	PLATE, MOTOR MOUNT TO GEARCASE
12	62691	GROMMET, MOTOR
13	3364003	COUPLING, MOTOR & ISOLATION
14	8577374	SEAL
15	3355454	CLIP, ANTI-RATTLE
16	3400516	SCREW
17	W10086010	RETAINER, MOTOR
18	3362089	SHIELD, TUB TO MOTOR
19	661600	MOTOR, MAIN DRIVE
20	62850	SWITCH, MAIN DRIVE MOTOR
21	8546127	RETAINER, PUMP
22	3363394	PUMP (COMPLETE)
23	3387485	SCREW, 10-16 X 5/8
24	3946532	SHIELD, MOTOR

Distribuidor Autorizado

SurteRápido.com

Venta de Refacciones
Electrodomesticas

7MWTW9013YQ0 BASE

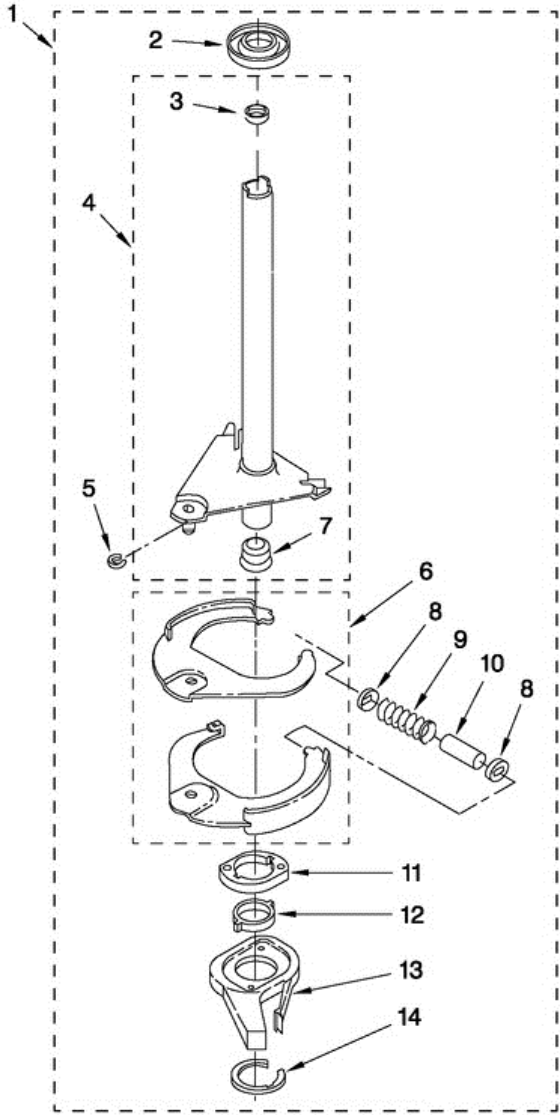




7MWTW9013YQ0 BASE

1	3400076	SCREW, BRACKET MOUNTING (10-32 X 5/8)
2	64067	BRACKET, SPRING OUTER
3	63907	SPRING, SUSPENSION
4	8575214	SUPPORT & BRAKE, TUB
5	64065	BRACKET, SPRING OUTER (L.F.)
6	63466	LINK, LEVELING MECHANISM
7	62597	SPRING, LEVELING MECHANISM
8	62837	PIN, KNURLED
9	62596	FOOT, REAR
10	8546455	BEARING, CENTERPOST
11	357409	SEAL, CENTERPOST
12	W10250667	SPRING, COUNTERWEIGHT
13	62568	PAD, PLATE
14	3946509	PLATE, SUSPENSION (INCLUDES ITEM 13)
15	3363660	PAD, BASE
16	3946512	BASE ASSEMBLY (INCLUDES 6, 7, 8, 9, 13, 14, 15 & 22)
17	3359452	NUT, LOCK (3/8-16)
18	W10001130	FOOT, FRONT
19	8577376	SEAL, CENTERPOST
20	285203	CENTERPOST BEARING KIT (INCLUDES 10, 11 & 19)
21	63134	RING, SOUND DEADENING
22	W10145155	RETAINER, SUSPENSION SPRING

7MWTW9013YQ0 FLECHA HUECA

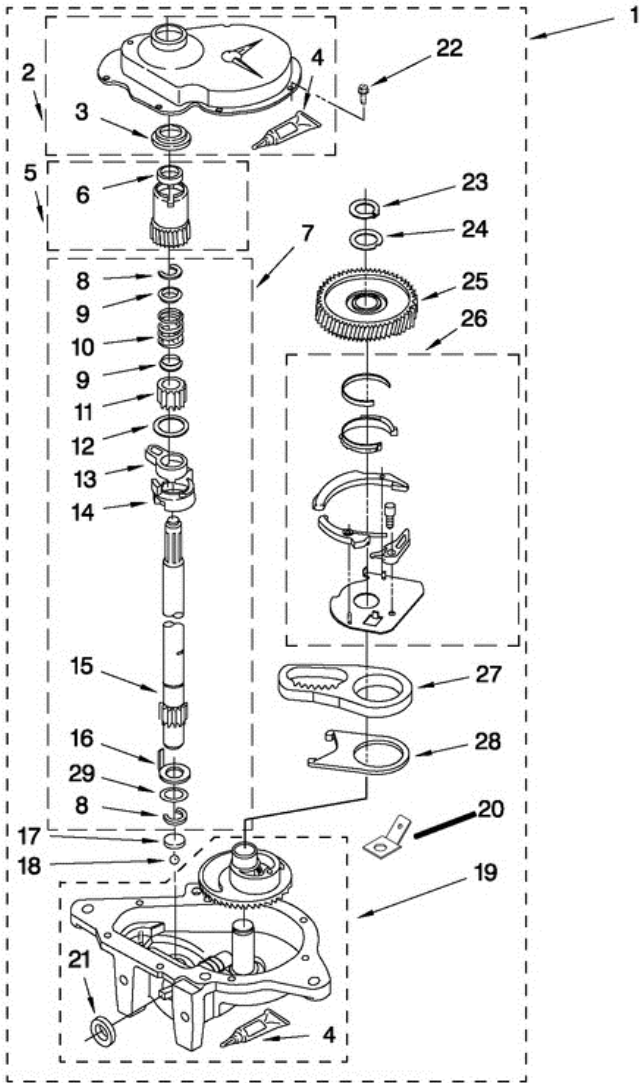




7MWTW9013YQ0 FLECHA HUECA

1	388952	BRAKE AND DRIVE TUBE (COMPLETE)
2	62658	RING, THRUST
3	356427	SEAL, DRIVE TUBE
4	64027	TUBE, BASKET DRIVE (INCLUDES ILLUS. 3, 4, 5 & 9)
5	64035	RING, RETAINING
6	64232	SHOE, BRAKE (2)
7	62703	``T`` BEARING, SPIN TUBE
8	3353956	CAP, BRAKE SPRING (2)
9	387806	SPRING, BRAKE
10	3355360	SLEEVE, BRAKE SPRING
11	661516	CAM, BRAKE RELEASE
12	63022	SLEEVE, CAM
13	64194	DRIVER, BRAKE CAM
14	90368	RING, RETAINING
NI	285208	LUBRICANT

7MWTW9013YQ0 TRANSMISION





7MWTW9013YQ0 TRANSMISION

1	8532118	GEARCASE (COMPLETE)
2	285202	COVER, GEARCASE
3	3349985	SEAL, GEARCASE COVER
4	285195	SEALER, GASKET (.20 FL. OZ.) (6 ML)
5	63320	PINION, SPIN (INCLUDES ILLUS. 25)
6	356427	SEAL, SPIN PINION
7	389387	SHAFT, AGITATOR (COMPLETE)
8	90369	RING, RETAINING (2)
9	62677	RETAINER, SPRING (2)
10	62676	SPRING, AGITATE
11	63273	GEAR, AGITATE (INCLUDES 15 & 29)
12	62619	WASHER, AGITATE GEAR
13	62580	CAM FOLLOWER (INCLUDES 14)
14	62581	CAM, AGITATE (INCLUDES 13)
15	285509	SHAFT, AGITATOR (INCLUDES 11 & 29)
16	62618	WASHER, CAM THRUST
17	16018	BEARING, THRUST (INCLUDES 18)
18	85529	BALL, BEARING (INCLUDES 17)
19	389230	BOTTOM AND PINION, GEARCASE
20	3949116	BLOCK TAB, TERMINAL
21	285352	SEAL, THRUST PLUG
22	3351614	SCREW, GEARCASE COVER MOUNTING (8)
23	3362552	RING, RETAINING
24	285735	WASHER KIT, THRUST
25	62570	GEAR, SPIN
26	388253	NEUTRAL ASSEMBLY
27	3349296	RACK, CONNECTING
28	62621	ACTUATOR, SHIFT
29	388815	WASHER, INTERMEDIATE