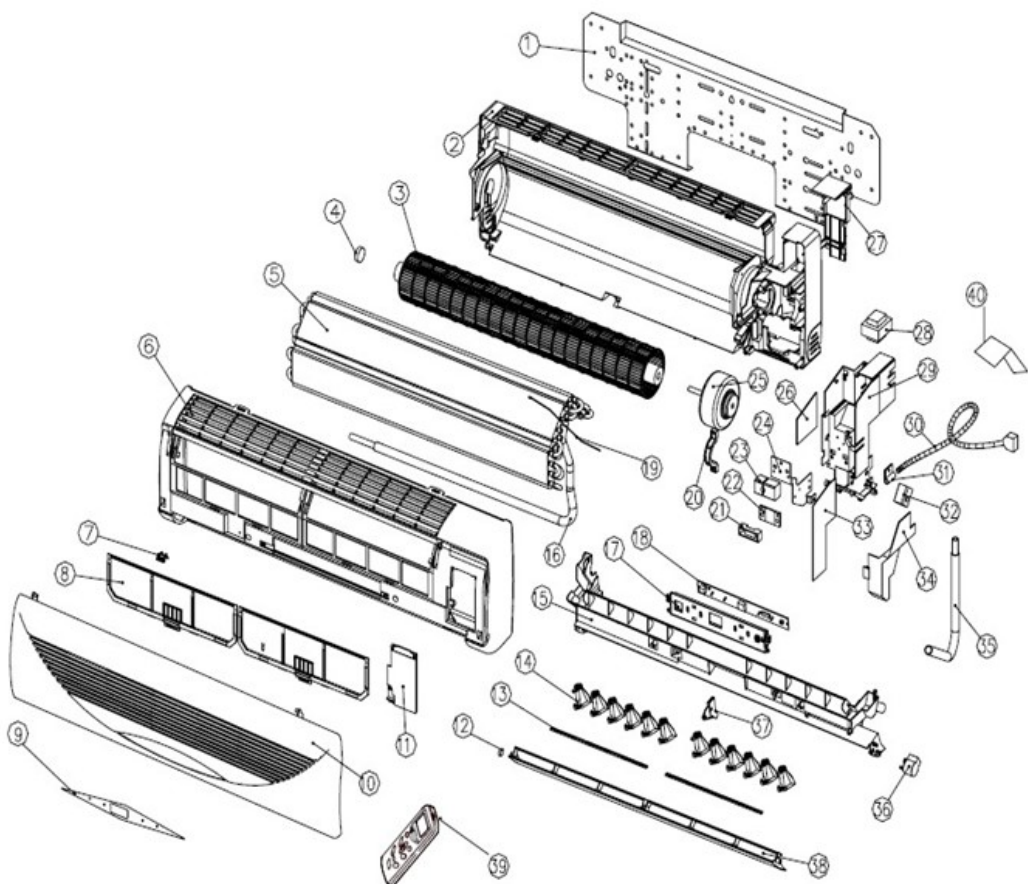


Distribuidor Autorizado

SurteRápido.com

Venta de Refacciones
Electrodomesticas

Minisplit Whirlpool 7WA2501Q00





Minisplit Whirlpool 7WA2501Q00

No. Ilus.	DESCRIPCIÓN	No. de Parte
1	Installation plate	8110140
2	Chassis	1002110
3	Indoor fan	1402283
4	Bearing	120268
5	Evaporator assembly	8130167
6	Cabinet	81004117
7	Screw cover	2109306
8	Air Filter	8110536
9	Display window	81408442
10	Panel	810061668
11	Safety cover	2109232
12	Wind tunnel bearing	100251
13	Upper louver link	1201290
14	Vertical louver	8120151
15	Drain pan	8110648
16	Pipe assembly	81303174
17	Display PCB cover	82102111
18	Display PCB	81409663
19	Thermister	1411366
20	Fixture B	1203179
21	Power supply cord upper clamp	1109147
22	Power supply cord lower clamp	110963
23	Terminal 3PU	150264
24	Clamp fixture 2	1109231
25	Indoor fan motor	8140224
26	Control PCB	81409672
27	Chassis clamp	2109231
28	Transformer	814052



Minisplit Whirlpool 7WA2501Q00

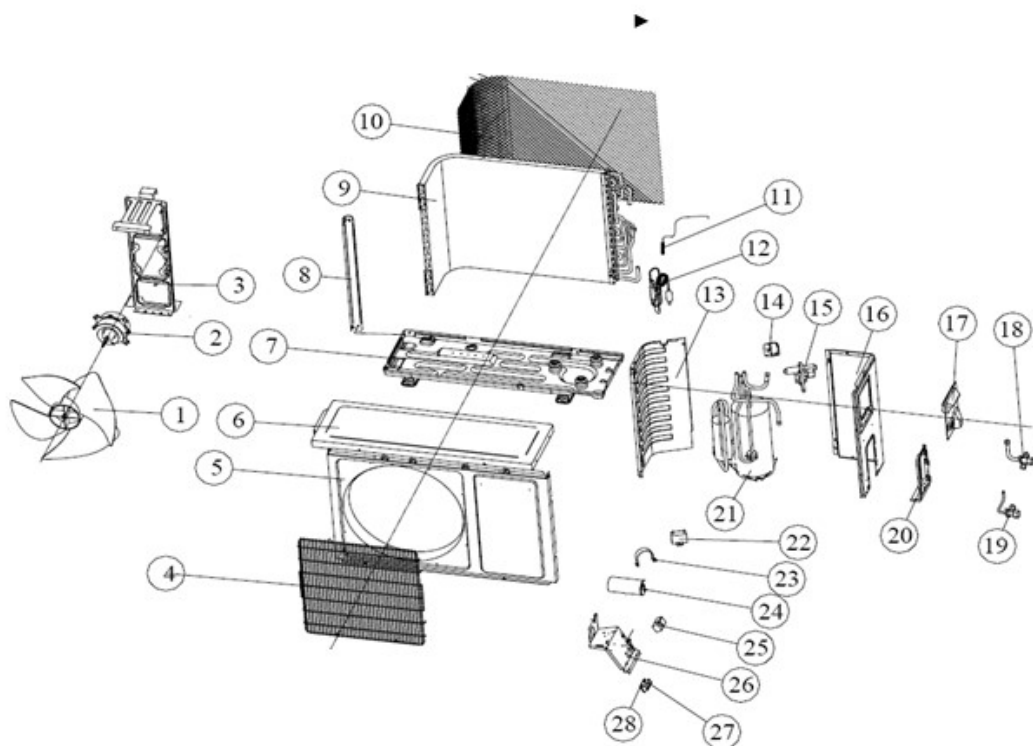
No. Ilus.	DESCRIPCIÓN	No. de Parte
29	Electronic box	82102112
30	Power supply cord	1501185
31	Clamp	1203160
32	Terminal 3PS	150265
33	Power PCB	81409673
34	Waterproof board	1203393
35	Drain pose	821094
36	Louver motor	1402136
37	Supporter	8110248
38	Horizontal link	8120150
39	Remote Controller	814011532

Distribuidor Autorizado

SurteRápido.com

Venta de Refacciones
Electrodomesticas

Minisplit Whirlpool 7WA2501Q00





Minisplit Whirlpool 7WA2501Q00

No. Ilus.	DESCRIPCIÓN	No. de Parte
1	Outdoor Fan	8101148
2	Outdoor Fan Motor	8140223
3	Motor Stay Bracket	81102107
4	Fan Guard	821073
5	Cabinet	81013103
6	Top Cover	81013108
7	Chassis	81002572
8	Side Support	81102106
9	Condenser	81302615
10	Back Lattice Plate	8100947
11	Thermistor	1411989
12	Capillary Tube Assembly	813037213
13	Bulkhead	8110972
14	4 Way Valve Coil	1411458
15	4 Way Valve	141154
16	Right Side Plate	81003281
17	Terminal Cover	821021
18	3 Way Valve Assembly	8130915
19	2 Way Valve Assembly	8130916
20	Valve Fixing Plate	811092
21	Compressor	1304547
22	Fan motor Capacitor	141116
23	Capacitor Fixing Ring	812031
24	Compressor Capacitor	141155
25	Terminal Board 5PU	150262
26	Electrical Assembly Plate	82102244
27	Power Supply Cord Clamp 1	1109147
28	Power Supply Cord Clamp 2	110963